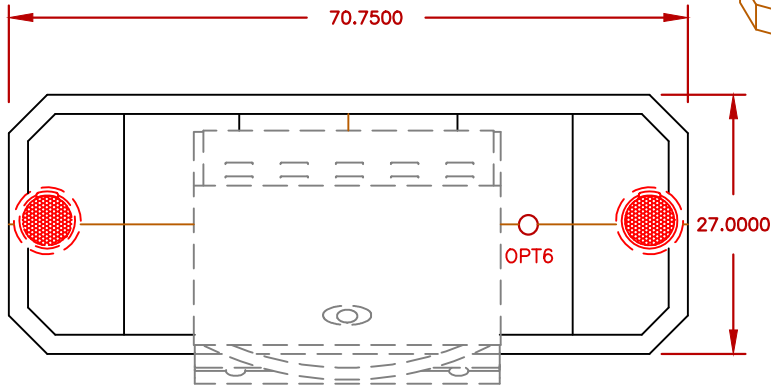
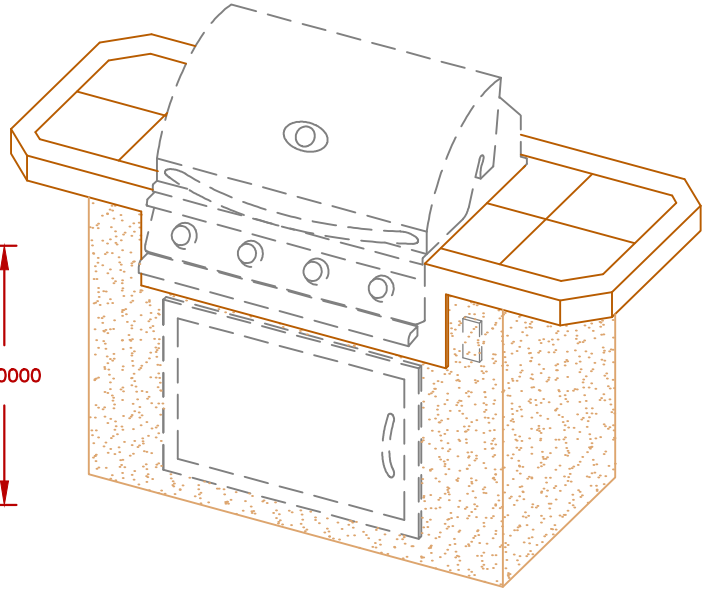


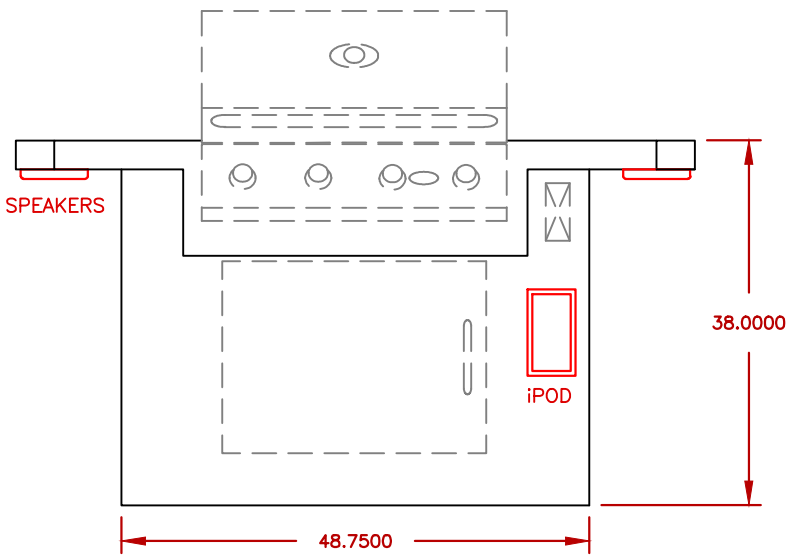
LINE	BBQ LINE
MODEL	BBK601
REF.	



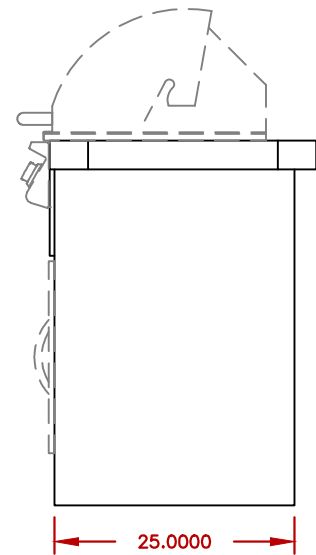
TOP VIEW



BBK-601



FRONT VIEW



SIDE VIEW

OPTIONS

SYMB.	DESCRIPTION	OPT#
OPT1	NATURAL STONE TILE 12X12	SEE COLOR CHART
OPT3	LED LIGHTING	OPTQ830A
OPT4	UNDERCOUNTER LIGHTS	OPTQ820L
OPT5	IPOD STATION W/ [2] SPEAKERS	OPTQ107
OPT6	UMBRELLA HOLE ONLY	OPTQ837

STANDARD FEATURES

QTY.	SYMB.	DESCRIPTION
-	(A)	PORCELAIN TILE 12 X 12 (FIELD) (BORDER)
-	(B)	AMERISTONE STUCCO
1	(C)	4 BURNER P4 LP
1	(D)	OUTDOOR ELECTRICAL
1	(E)	27" ACCESS DOOR

NOTE:
DUE TO OUR CONTINUOUS IMPROVEMENT PROGRAM, ALL MODELS
AND SPECIFICATIONS ARE SUBJECT TO CHANGE WITHOUT NOTICE.



TITLE
2023 BARBECUE LINE
BBK SERIES
BBK601

SCALE:

DWG NO.

DWG BY
M ORTEGA

REVISED

REV. DESCR.

DATE
5/10/2023