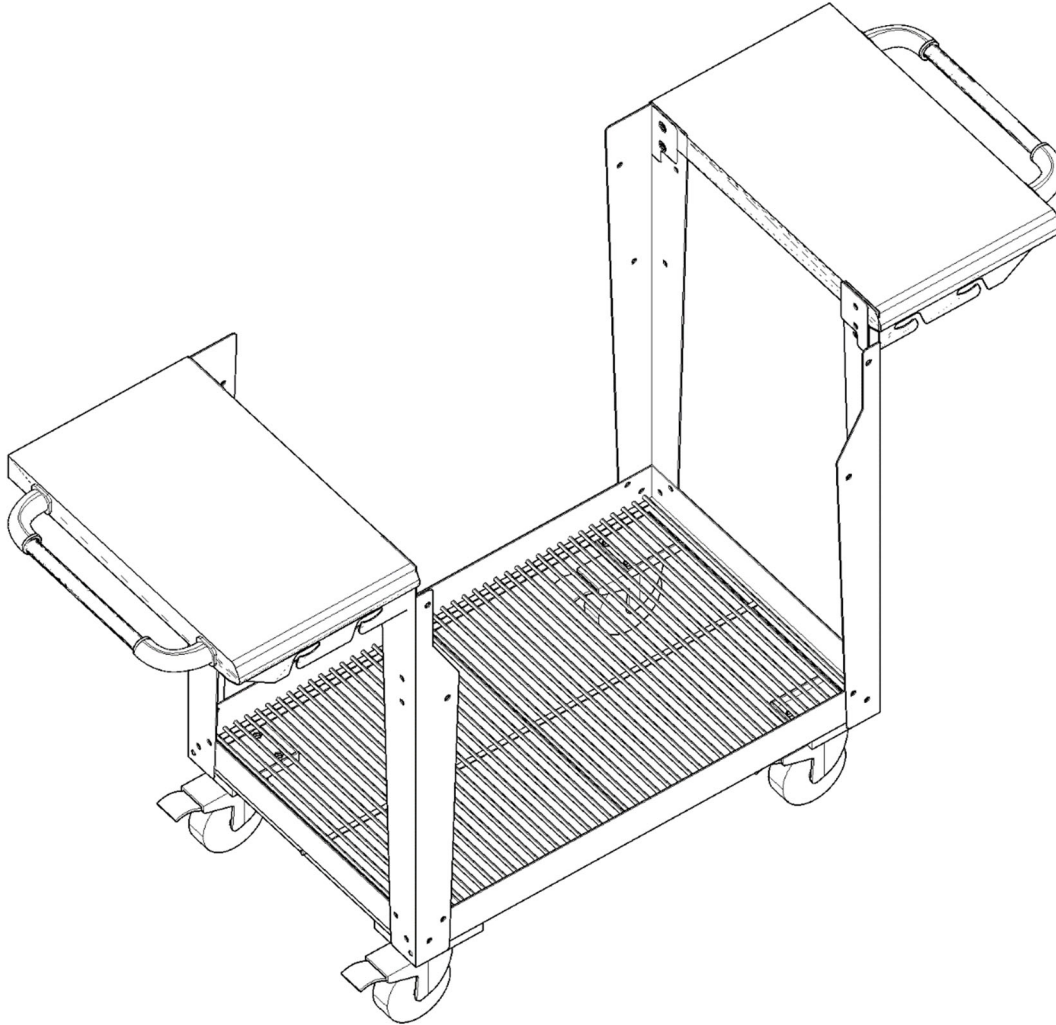




BISON PREMIUM CHARCOAL GRILL GRILL
CART OWNERS MANUAL MODEL #88900





READ THIS ENTIRE MANUAL CAREFULLY AND RETAIN FOR FUTURE REFERENCE

We care about your safety, so please....

- BE SURE YOUR GRILL CART IS PROPERLY ASSEMBLED AND CARED FOR. FAILURE TO FOLLOW THESE INSTRUCTIONS MAY RESULT IN SERIOUS BODILY INJURY AND/OR PROPERTY DAMAGE. IF YOU HAVE QUESTIONS CONCERNING ASSEMBLY OR OPERATION, CONSULT YOUR DEALER OR APPLIANCE SERVICE REPRESENTATIVE FOR ASSISTANCE.
- NOTE TO ASSEMBLER, PLEASE RETURN THIS MANUAL TO CONSUMER AFTER INSTALLATION.
- NOTE TO THE CONSUMER: RETAIN THIS MANUAL FOR FUTURE REFERENCE.
- THIS GRILL CART IS NOT INTENDED FOR USE IN OR ON RECREATIONAL VEHICLES AND/OR BOATS.

TABLE OF CONTENTS

PAGE# 2

HOW TO REGISTER YOUR GRILL CART

HOW TO ORDER GRILL CART REPLACEMENT PARTS _____ 3

BISON GRILL CART DETAILS

CART REPLACEMENT PARTS LIST / ILLUSTRATION _____ 4

GRILL AND FASTENERS LIST FOR ASSEMBLY _____ 5

CART ASSEMBLY INSTRUCTIONS _____ 5-7

CLEANING & MAINTENANCE _____ 8

LIMITED WARRANTY POLICY _____ 9-11



WARNING: THIS PRODUCT CAN EXPOSE YOU TO CHEMICALS INCLUDING CARBON MONOXIDE WHICH IS KNOWN TO THE STATE OF CALIFORNIA TO CAUSE BIRTH DEFECTS OR OTHER REPRODUCTIVE HARM. FOR MORE INFORMATION VISIT: www.P65Warnings.ca.gov



REGISTERING YOUR BISON GRILL CART

Your Bison Grill Cart is automatically covered by your Bull Limited Warranty if you have completed the Warranty Registration Card for you Bison Grill within 90 days from the Proof of Purchase. You may register your unit either online at www.bullbbq.com or by sending in the completed hard copy along with a copy of the Proof of Purchase to:

Bull Outdoor Products, Inc., 1011 East Pine Street, Lodi, California 94520 United States
ATTN: Warranty Service Center

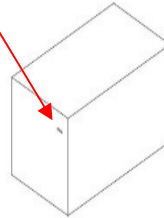
LOCATION OF SERIAL NUMBERS

The essential information about your cart is encoded in the serial number of the Bison Grill it was sold with. This information will be required for all warranty claims, ordering replacement parts and will identify any variations of your unit. It is extremely important that you record your serial number and register your grill from the Proof of Purchase. The grill serial number locations are shown below.

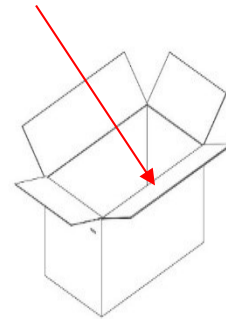
ON THE RIGHT SIDE OF YOUR BISON GRILL



END OF YOUR BISON CART'S BOX



OR INSIDE OF BOX FLAP



FOR WARRANTY PURPOSES, PLEASE RECORD OR RETAIN THE FOLLOWING:

- 1) WARRANTY REGISTRATION CARD FOR YOUR BISON GRILL**
- 2) DATE OF PURCHASE**
- 3) COPY OF YOUR RECEIPT OR INVOICE**

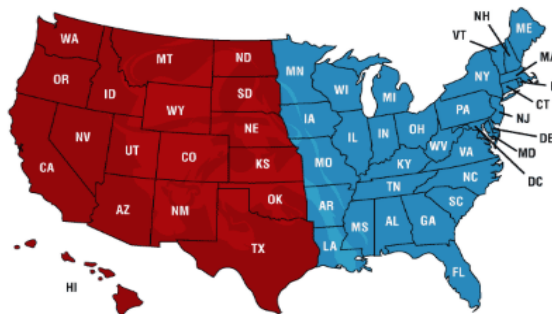
HOW TO ORDER REPLACEMENT PARTS

The following information is required before contacting your Bull Authorized Dealer to assure getting the correct part(s) for your Cart **Please refer to your owner's manual parts list and illustration to identify what you need.**

To Order Replacement Parts go to : <https://www.bullbbq.com/buy-parts>

Ordering Parts by phone: Bull is ready to help with two regional suppliers open 8:00 am to 5:00 pm Monday through Friday.

- For the western region, please call **Bull Grills & Spas** at **(760)746-7727**
- For the eastern region. Please call **Goodwood Hardware** **(225)926-0155**



West Region



Bull Grills & Spas
(760) 746-7727
bullgrillsandspas.com

East Region



Goodwood Hardware
(225) 926-0155
goodwoodhardware.com

IMPORTANT: Keep this assembly and operating instruction manual for referral, and for replacement parts ordering.

WARNING: Use of any part that is not factory authorized will void your warranty and may be dangerous.

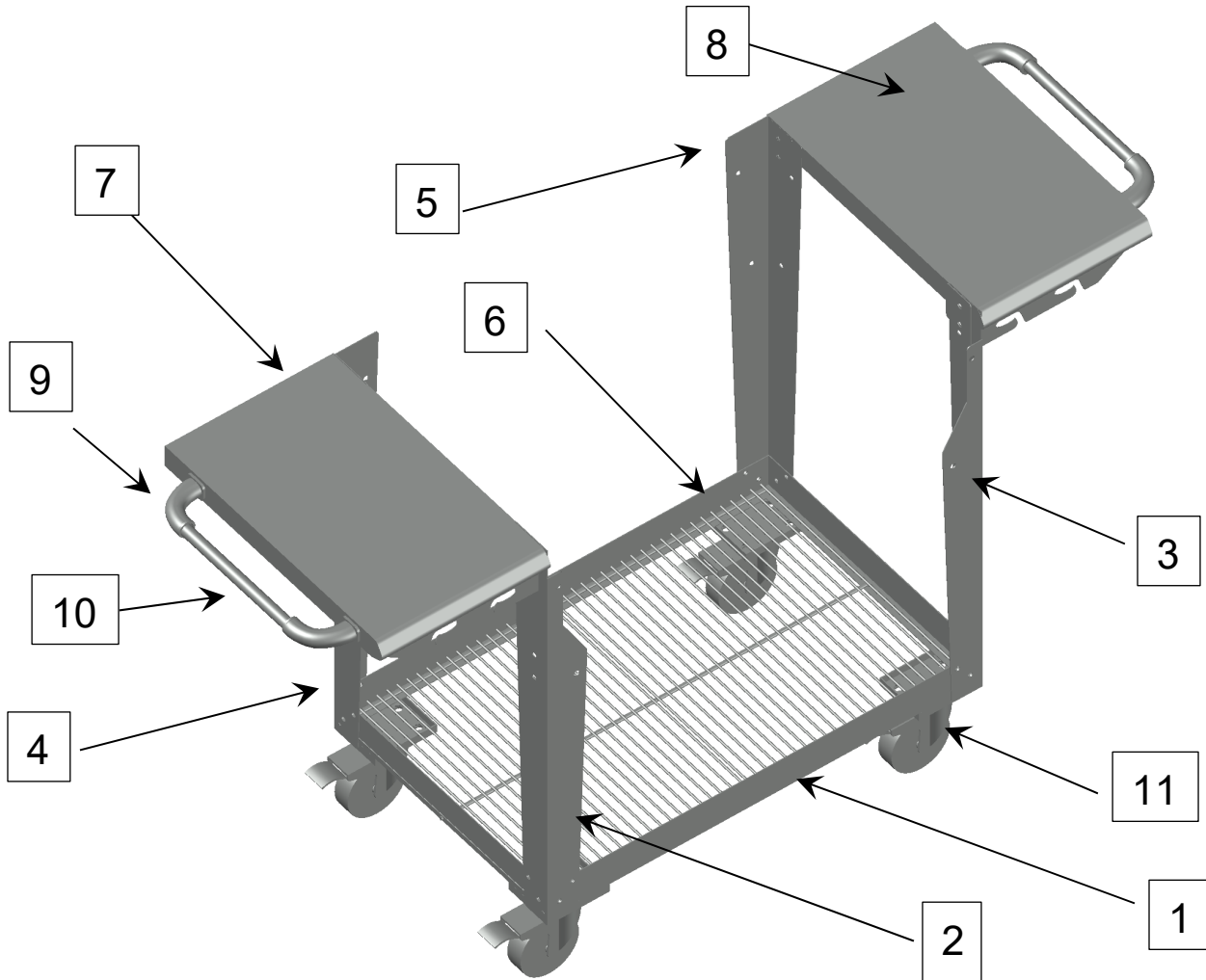


NOTE: PLEASE COMPLETE THE FOLLOWING PRIOR TO ASSEMBLY:

1. Before attempting to assemble your grill cart, check that all the necessary parts are included by using the illustrated parts list.
2. Inspect parts for any damage and contact our service center or local dealer for replacement of any damaged parts.
3. Do not assemble or operate a grill cart that appears to be damaged.
4. For your safety, Bull recommends the assistance of another person when assembling larger and/or heavier items.

PARTS LIST AND ILLUSTRATION

88900 BISON PREMIUM GRILL CART PARTS LIST			
ILLUSTRATION ID#	BULL SKU #	DESCRIPTION	QUANTITY
1	88901	FRAME, CART BOTTOM	1
2	88902	SUPPORT LEG, FRONT, LEFT SIDE	1
3	88903	SUPPORT LEG, FRONT, RIGHT SIDE	1
4	88904	SUPPORT LEG, BACK, LEFT SIDE	1
5	88905	SUPPORT LEG, FRONT, RIGHT SIDE	1
6	88906	SCREEN, CART BOTTOM	2
7	88907	LEFT SIDE SHELF	1
8	88908	RIGHT SIDE SHELF	1
9	88909	SHELF HANDLE END CAP	4
10	88910	SHELF HANDLE CENTER BAR	2
11	16514	CART CASTER (WITH BRAKE)	4





CART FASTENERS FOR ASSEMBLY

- Before attempting to assemble your grill cart, check that all the fasteners are included using the list below.
- If any are missing contact our Service Center, or local dealer for replacement.

88900 BISON CART ASSEMBLY HARDWARE LIST

ILLUSTRATION ID #	DESCRIPTION, SIZE	QUANTITY	PURPOSE
12	ALLEN WRENCH (4mm)	1	ASSEMBLE HANDLES TO SHELVES
13	HEX DRIVE BUTTION HEAD SCREW, M6 X 8	4	
14	ALLEN WRENCH (5mm)	1	ASSEMBLE CASTERS TO FRAME
15	HEX DRIVE BUTTION HEAD SCREW, M8 X 20	16	
16	FLAT WASHER, 8mm	16	
17	LOCK WASHER, 8mm	16	
18	WRENCH (6mm)	1	ASSEMBLE SUPPORT LEGS TO FRAME
19	HEX DRIVE BUTTION HEAD SCREW, M6 X 12	16	
20	FLAT WASHER, 6mm	32	
21	LOCK WASHER, 6mm	32	
22	HEX NUT, 6mm	16	

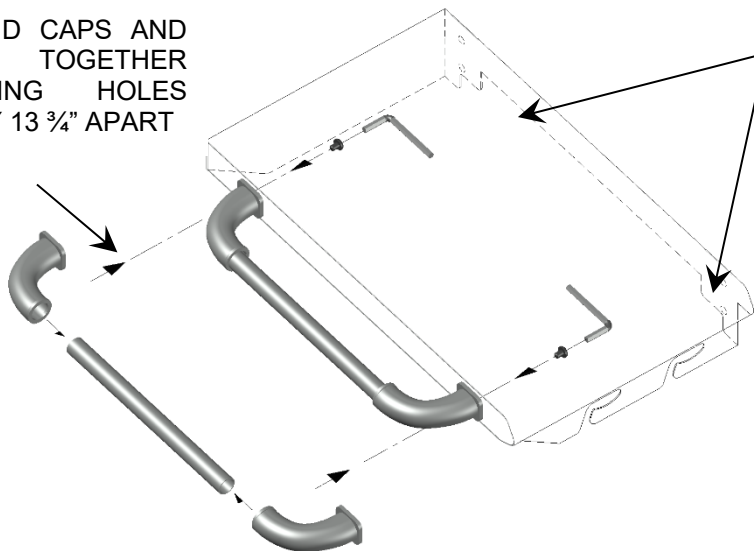
CART ASSEMBLY INSTRUCTIONS

Do not assemble or operate a grill cart that appears to be damaged. For your safety, Bull recommends the assistance of another person when assembling larger and/or heavier items.

STEP #1: ATTACH SHELF HANDLES TO SHELVES

- Remove the pre-installed screws (M6X8 mm) on the handle end caps.
- Per illustration below, combine the handle tube and end caps and then install the handle end caps onto the side shelf.

SLIDE BOTH END CAPS AND CENTER TUBE TOGETHER WITH MOUNTING HOLES APPROXIMATELY 13 3/4" APART

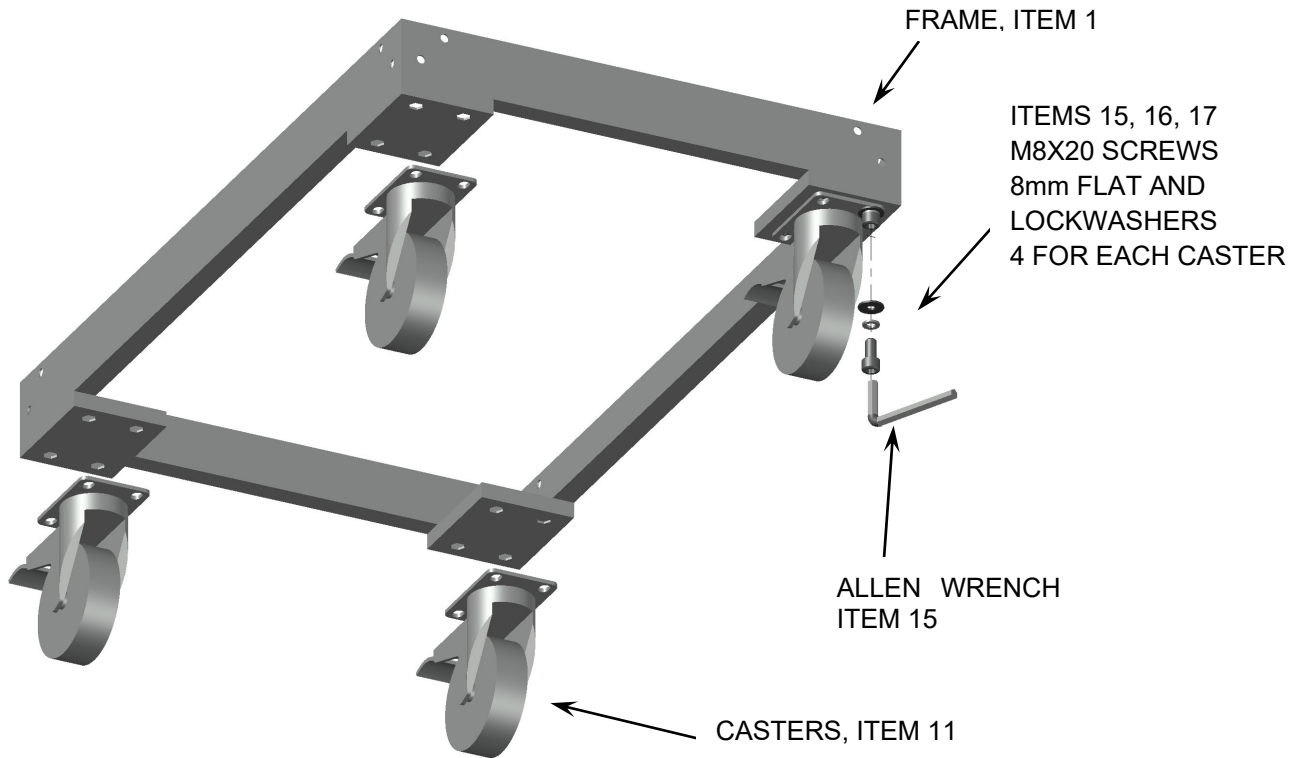


USE PROVIDED ALLEN WRENCH (ITEM 12) TO ATTACH 1 HANDLE TO EACH SHELF USING 2 (ITEM 13) M6X8 SCREWS AS SHOWN



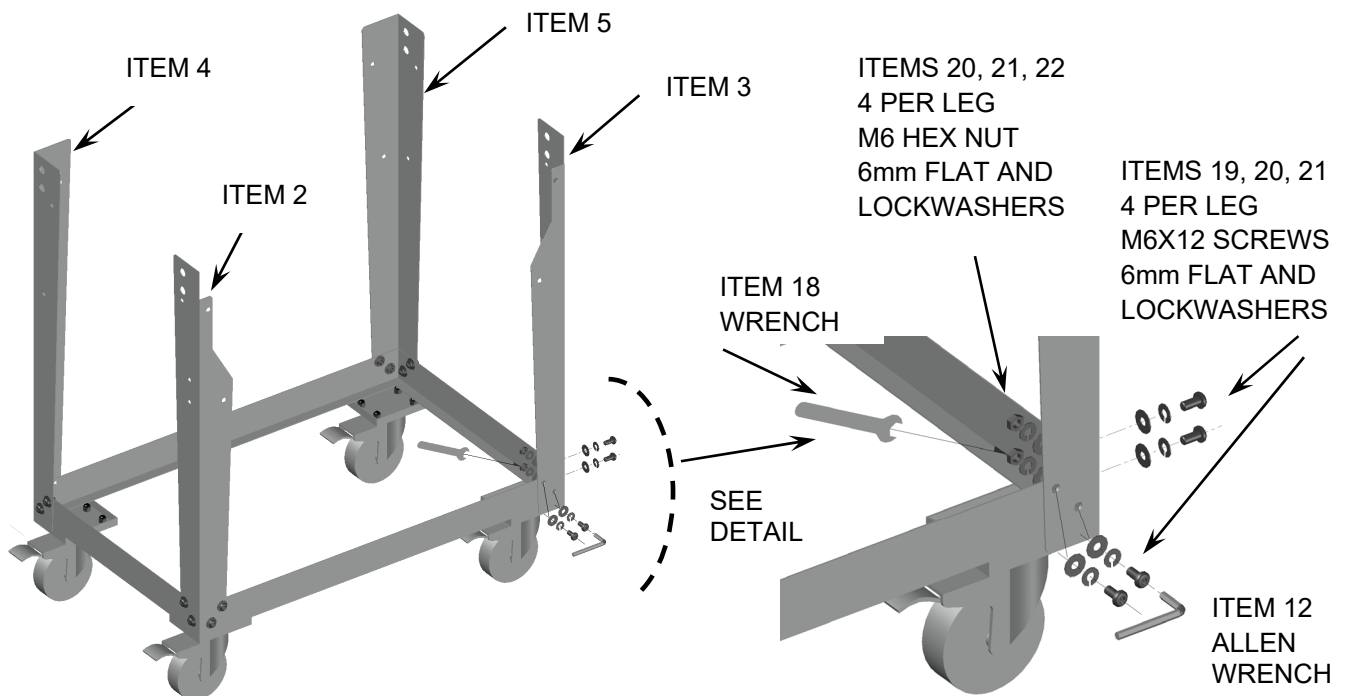
STEP #2 ATTACH CASTERS TO FRAME

Per illustration below, attach casters to pre-installed nuts on frame with provided fasteners and Allen wrench.



STEP #3 ATTACH LEGS TO FRAME

Per illustration below, attach cart legs to on frame with provided fasteners and tools.



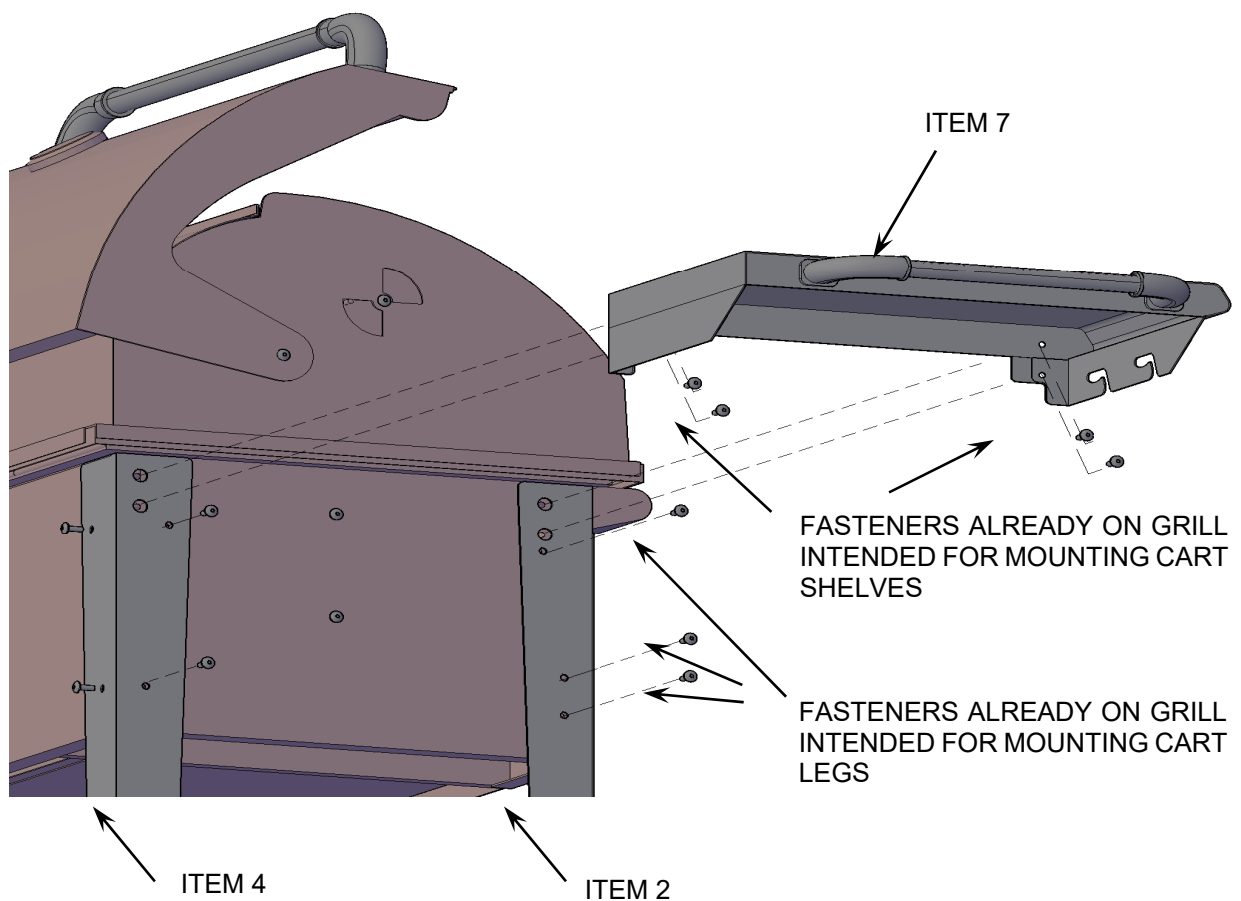
NOTE: EACH CART LEG IS UNIQUE AND MUST BE ASSEMBLED AS SHOWN TO ACCOMMODATE GRILL.



STEP 4: ATTACH GRILL TO CART LEGS

(This step will require at least 2 people).

1. Ensure the swivel casters are in the locked position in order to prevent the cart from moving and causing injury.
2. Remove the grill cooking and warming grates, briquet baskets and ash collector and place out of the way during assembly.
3. NOTE: The cart back legs are attached with 4 specific fasteners that are already on your grill where shown below. The cart front legs are attached with 5 specific fasteners. All of these fasteners are held by threaded inserts pressed into the grill. Remove those fasteners from the grill.
4. NOTE: **(This step will require at least 2 people)**. Guide the cart legs around the outside of the grill head until the cart leg mounting holes line up with the holes on the grill.
5. Install the mounting screws 'finger tight' on all four legs and evaluate alignment of the legs to the grill before tightening. If using a torque wrench to install set it to 70 inch-pounds (8 Nm). Caution: cross threading will cause irreparable damage to the cart.



STEP 5: ATTACH SHELVES TO GRILL

1. NOTE: The cart shelves are attached with 4 specific fasteners that are already on your grill where shown above. All of these fasteners are held by threaded inserts pressed into the grill. Remove those fasteners from the grill.
2. NOTE: **(This step will require at least 2 people)**. Install one shelf at a time by having 1 person hold the shelf so the mounting holes line up mounting holes on the grill. The shelves have slots on one side for hanging tools. That side should be facing the front of the grill.
3. Install the mounting screws 'finger tight' on both shelves and evaluate alignment before tightening. If using a torque wrench to install set it to 70 inch-pounds (8 Nm). Caution: cross threading will cause irreparable damage to the cart.

Your grill cart is now completely assembled. Please continue to read the next section your Bison Grill to understand all safety, warning and usage instructions for your Bison grill manual before use.



CLEANING AND MAINTENANCE

WARNING

BEFORE CLEANING YOUR CART MAKE SURE YOUR GRILL AND CART ARE COOL ENOUGH TO TOUCH.

CART CLEANING: Washing the cart is not necessary, but periodically it is suggested you wash the cart using a soap and warm water solution. Use only a nylon brush to remove stubborn residue. Dry the cart before the next use.

STAINLESS STEEL CLEANING AND MAINTENANCE

Stainless steel is a corrosion resistant chromium/nickel alloy steel that is both durable as well as strong with an outstanding lustre. The goal of your cleaning and maintenance routine should be to keep the stainless steel's protective chromium oxide layer intact. This is what prevents corrosion. Contrary to popular belief, stainless steel is **NOT** rust proof, especially in the environment of a swimming pool. Chlorine, bromine, some fertilizers and other elements are extremely caustic chemicals for stainless steel. These chemicals combined with heat and humidity greatly increase the corrosiveness of these chemicals. Regular cleaning is the best way to prevent corrosion and add years of enjoyment to your Bull Stainless Steel products.



Warranty Policy

LIMITED WARRANTY ON BULL OUTDOOR PRODUCTS, INC., PRODUCTS

THIS LIMITED WARRANTY GIVES YOU SPECIFIC LEGAL RIGHTS. YOU MAY ALSO HAVE OTHER RIGHTS, WHICH VARY FROM STATE TO STATE.

THIS LIMITED WARRANTY CAN ALSO BE FOUND ON OUR WEB SITE AT:

<https://www.bullbbq.com/support-warranty> (United States Customers);

<https://www.bullbbq.eu/en/warrantyform.htm> (International Customers)

AND IN THE OWNER'S/INSTALLATION MANUAL THAT WE PROVIDE WITH OUR PRODUCT.

THIS LIMITED WARRANTY IS SUBJECT TO THE EXCLUSIONS, CONDITIONS AND LIMITATIONS SET FORTH BELOW.

ANY IMPLIED WARRANTIES IMPOSED BY LAW, INCLUDING WITHOUT LIMITATION THE IMPLIED WARRANTIES OF MERCHANTABILITY AND FITNESS FOR A PARTICULAR PURPOSE, ARE LIMITED IN DURATION TO THE DURATION OF THIS EXPRESS LIMITED WARRANTY. SOME STATES DO NOT ALLOW LIMITATIONS ON HOW LONG AN IMPLIED WARRANTY LASTS, SO THE ABOVE LIMITATION MAY NOT APPLY TO YOU.

WHO MAY USE THIS WARRANTY?

BULL OUTDOOR PRODUCTS, INC. located at address 1011 East Pine St. Lodi, CA. 95240

("we") extend this limited warranty only to the consumer who originally purchased the product ("you") at the original site of delivery or installation. It does not extend to any subsequent owner or other transferee of the product. It does not apply to products installed in any rental, commercial or non-residential application. Examples of excluded applications include, but are not limited to day care centers, schools, bed and breakfast centers, churches, private clubs, fire stations, club houses, common areas in multi-family dwellings, restaurants, hotels, nursing homes, food service locations and institutional food service locations.

WHAT DOES THIS WARRANTY COVER?

This limited warranty covers defects in materials and workmanship of the product and product components identified below for the Warranty Periods defined below.

WHAT IS THE PERIOD OF COVERAGE?

This limited warranty starts on the date of your purchase and lasts for the time period or time periods specified above (the "**Warranty Period**"). The Warranty Period is not extended if we repair or replace the product. We may change the availability of this limited warranty at our discretion, but any changes will not be retroactive.



Warranty Policy (Continued)

- **Grill Warranty Periods**

The following parts are covered for **one year** on all our current gas grill models:

The lid, control panel, grease tray, bezels, knobs, temperature gauge, valves, regulator, flex tubes, rotisserie burner, transformer, and all components of the lighting system.

The following parts are covered for **three years** on all our current gas grill models:

The manifold, handle end caps, flame tamers, heat shields, and warming rack.

The following parts are covered for **lifetime** on all our current gas grill models:

Insert assembly and the grates.

The warranty period for the grill burners vary by type:

Cast stainless steel burners - **lifetime**,

Welded burners – **5 years**, and

Porcelain coated burners – **3 years**.

The warranty period for the charcoal grill is **one year** on all parts, except for the insert assembly, which is covered for **5 years**.

The Bel Air grill included a **one-year** warranty on all parts.

- **Component Warranty Periods**

All of the parts for our components/grill carts/refrigerators/kegerators/drawers/doors are covered for **one year** with these exceptions:

Power Burner

- The insert/grates are **lifetime** covered parts.
- The manifold/burner are covered for **3 years**.

Searing Station/Slide in Double Sideburner

- The grates are covered for **lifetime**,
- the insert for **5 years**, and
- the manifold for **3 years**.

Single Sideburner

- The grates are covered for **5 years** and
- the burner for **3 years**.

Sidekick

- The burner is covered for **3 years**.

- **Pizza Ovens/Islands/Fire Features Warranty Periods**

All of the parts and construction materials are covered for **one year**.

Grill Accessories and Grill Covers do not include a warranty period.



Warranty Policy (Continued)

WHAT DOES THIS WARRANTY NOT COVER?

This limited warranty does not cover any damage due to: (a) transportation; (b) storage; (c) improper installation or use; (d) use on improper fuel/gas supply; (e) failure to follow the product instructions or to perform any preventive maintenance; (f) modifications; (g) unauthorized repair; (h) normal wear and tear; or (i) external causes such as accidents, abuse, or other actions or events beyond our reasonable control.

WHAT ARE YOUR REMEDIES UNDER THIS WARRANTY?

With respect to any defective product claim made during the Warranty Period, we will, in our sole discretion, either: repair or replace such product (or the defective part) free of charge or (b) refund the purchase price of such product. We will not pay for shipping charges for repaired or replacement parts, or for any labor or labor related charges. We will not pay for any accessory products or ancillary products purchased by you for use in connection with the product.

HOW DO YOU OBTAIN WARRANTY SERVICE?

To obtain warranty service, you must submit a warranty claim online through the Bullbq.com website during the Warranty Period. Warranty claims will not be accepted via email, fax or phone.

LIMITATION OF LIABILITY

THE REMEDIES DESCRIBED ABOVE ARE YOUR SOLE AND EXCLUSIVE REMEDIES AND OUR ENTIRE LIABILITY FOR ANY BREACH OF THIS LIMITED WARRANTY. OUR LIABILITY SHALL UNDER NO CIRCUMSTANCES EXCEED THE ACTUAL AMOUNT PAID BY YOU FOR THE DEFECTIVE PRODUCT, NOR SHALL WE UNDER ANY CIRCUMSTANCES BE LIABLE FOR ANY CONSEQUENTIAL, INCIDENTAL, SPECIAL OR PUNITIVE DAMAGES OR LOSSES, WHETHER DIRECT OR INDIRECT.

SOME STATES DO NOT ALLOW THE EXCLUSION OR LIMITATION OF INCIDENTAL OR CONSEQUENTIAL DAMAGES, SO THE ABOVE LIMITATION OR EXCLUSION MAY NOT APPLY TO YOU.

Revised 10-15-2020 APR