



WWW.BULLBBQ.COM

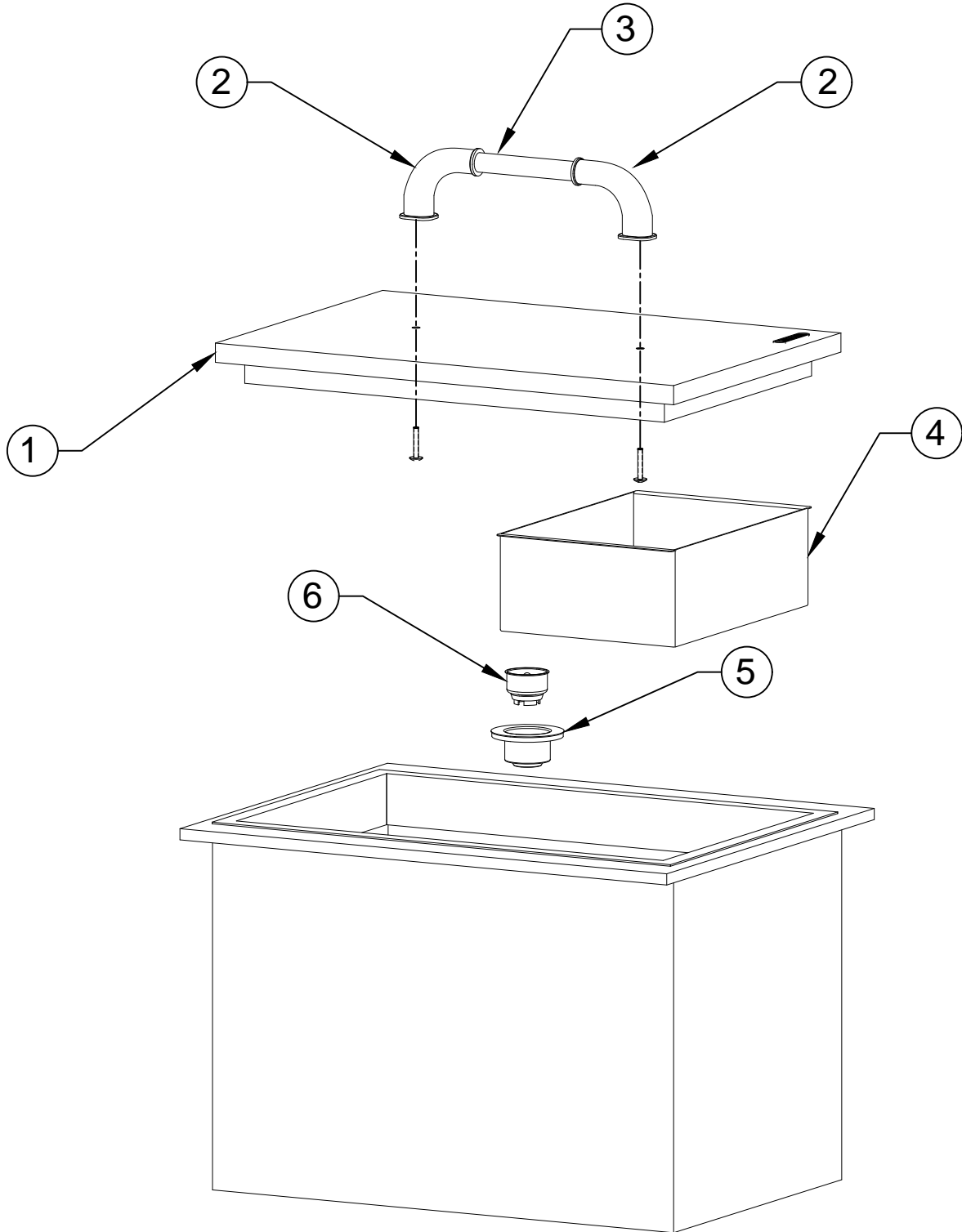
REPLACEMENT PARTS LIST

ITEM #	PART #	DESCRIPTION	QTY
1	16549	LID	1
2	16655	LID HANDLE END CAP	2
3	16546	LID HANDLE CENTER BAR	1
4	00003	CONDIMENT TRAY	1
5	16584	STRAINER	1
6	24003	DRAIN PLUG	1

EXPLODED VIEW W/PARTS LIST

ITEM# 00002

ICE CHEST



EXPLODED VIEW