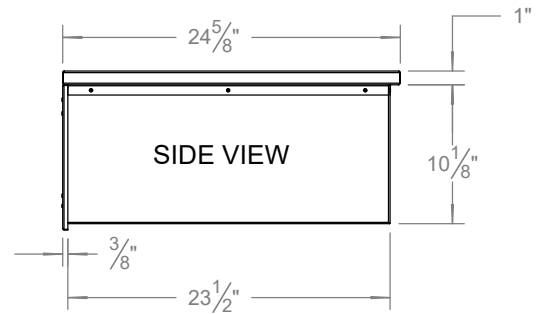
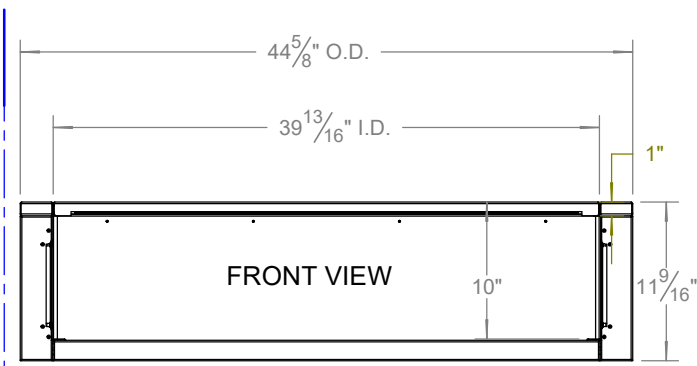
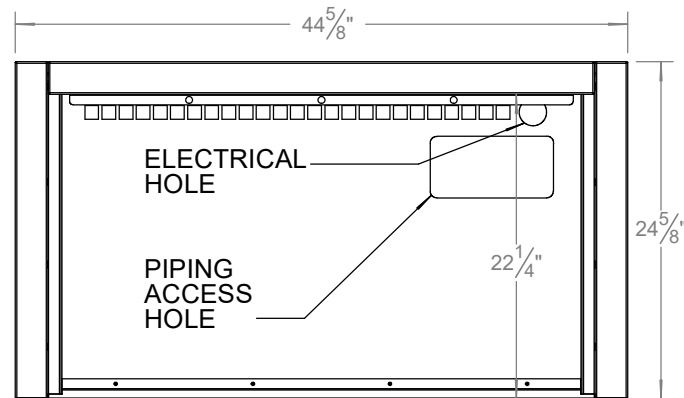
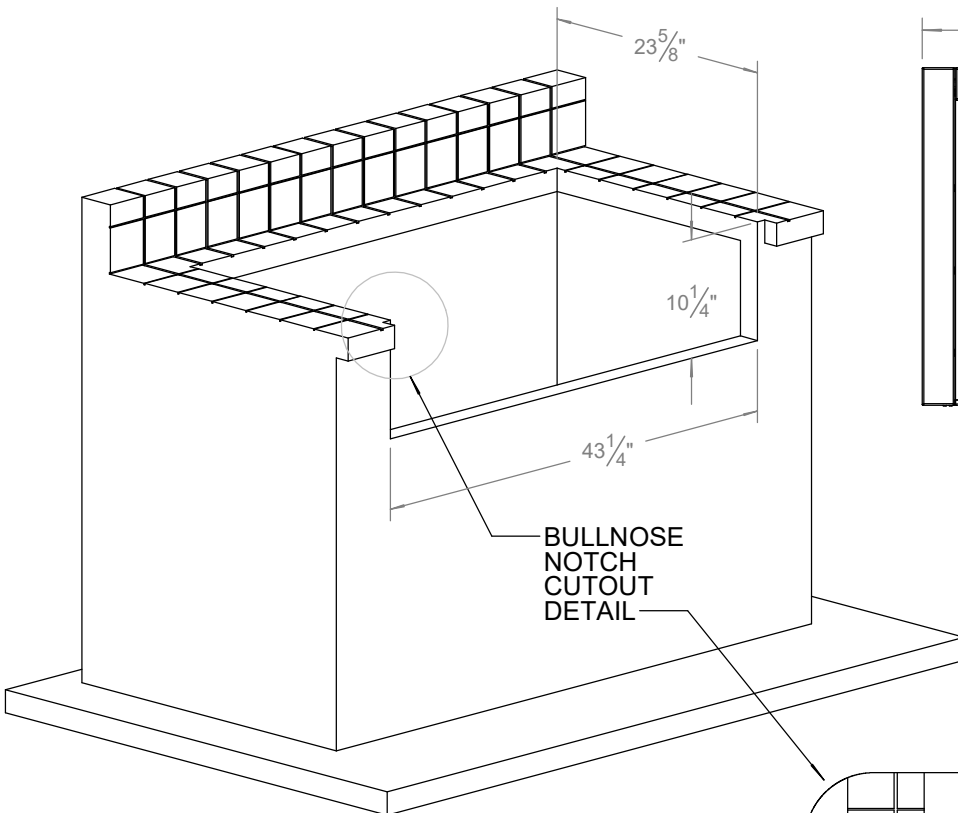


TYPICAL ARTIJ-42 INSTALLATION

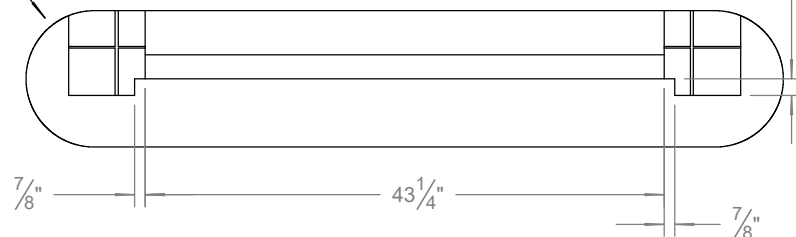


COUNTER CUTOUT REQUIREMENTS



TOP VIEW

DEPTH EQUAL TO BULLNOSE OVERHANG



NOTE:

COUNTER MUST HAVE THE PROPER GAS SUPPLY AND ELECTRICAL POWER FOR YOUR ARTISAN BBQ MODEL. REFER TO YOUR UNIT'S MANUAL OR SERIAL PLATE INFORMATION.