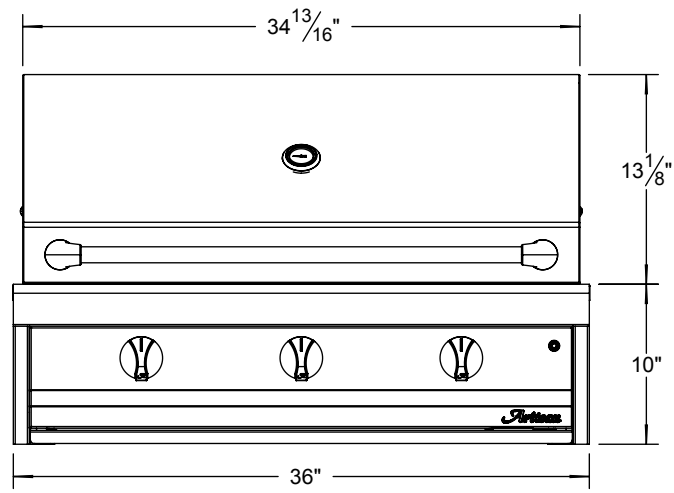
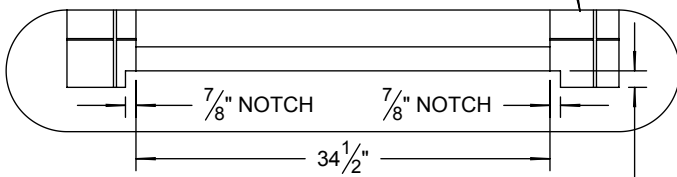
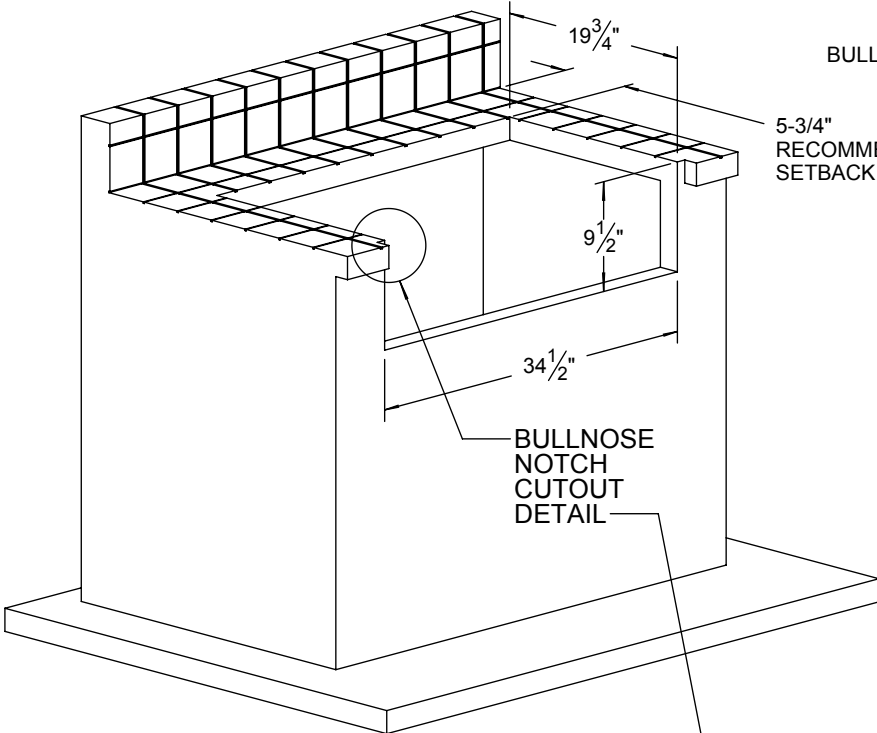


TYPICAL AAE-36 INSTALLATION



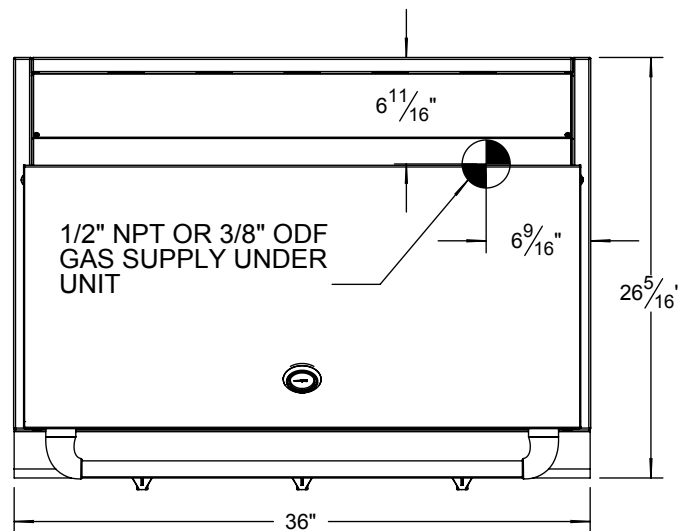
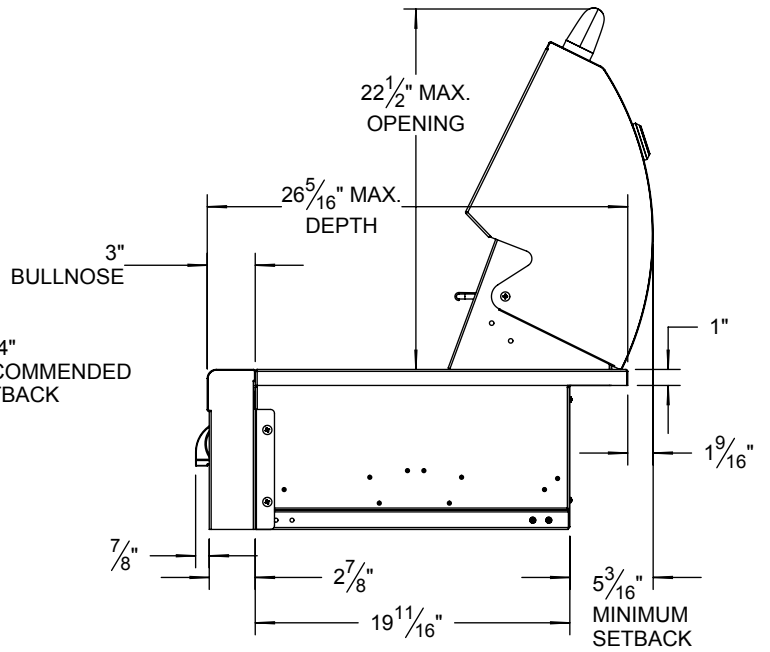
COUNTERTOP CUTOUT REQUIREMENTS



SPECIFICATIONS:

BTUH = 60,000
 FUEL NG @ 5 W.C. / LP @ 10 W.C.
 ELECTRICAL POWER: 9 VDC IGNITION SYSTEM
 GAS CONNECTION: 1/2" NPT (NG) OR 3/8" ODF (LP)

DEPTH EQUAL TO BULLNOSE OVERHANG



NOTE:

COUNTER MUST HAVE THE PROPER GAS SUPPLY FOR YOUR ARTISAN BBQ.