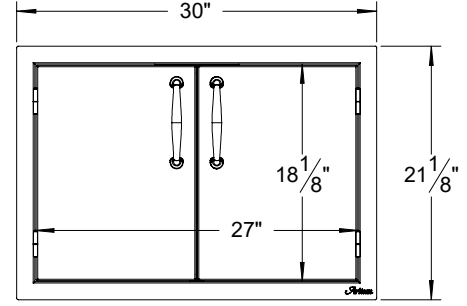
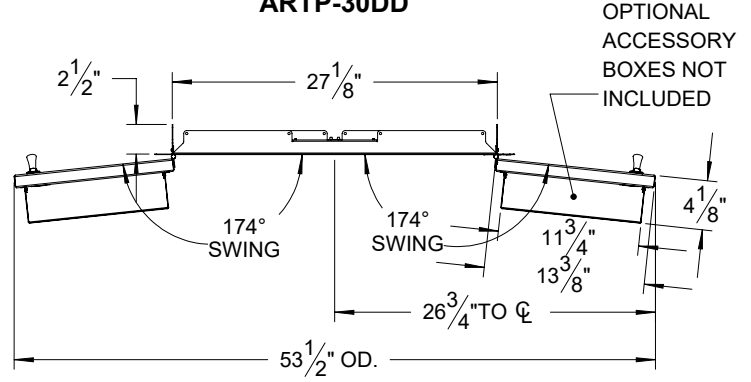


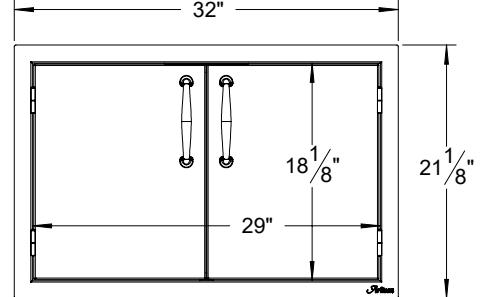
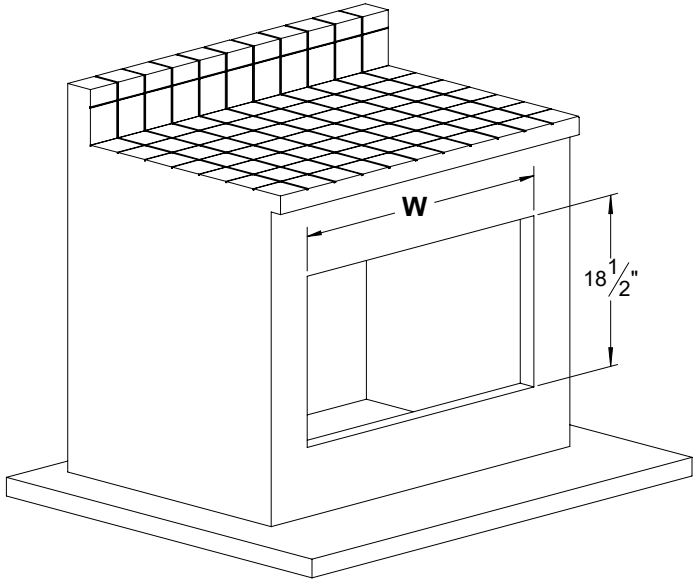
**TYPICAL ARTP DOUBLE DOOR INSTALLATION**



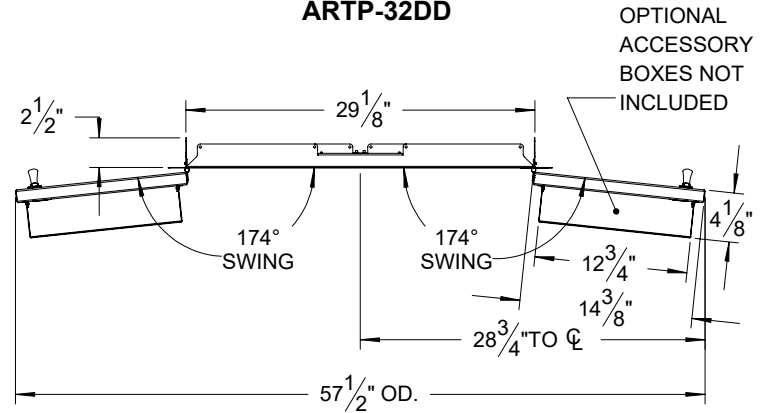
**ARTP-30DD**



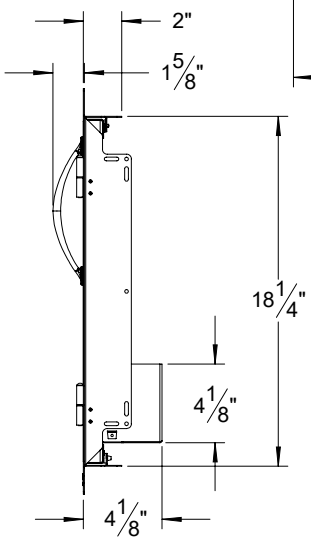
**COUNTER FRONT CUTOUT REQUIREMENTS**



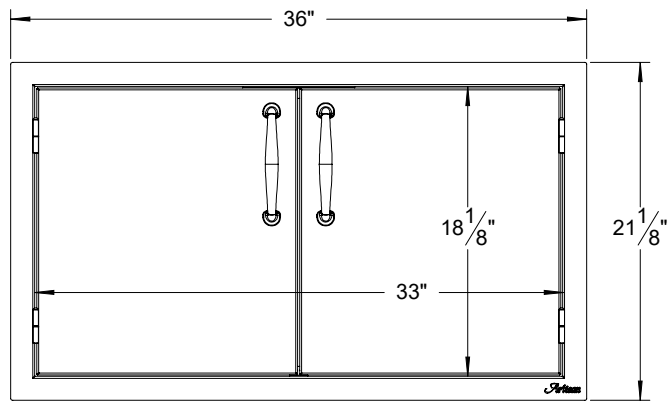
**ARTP-32DD**



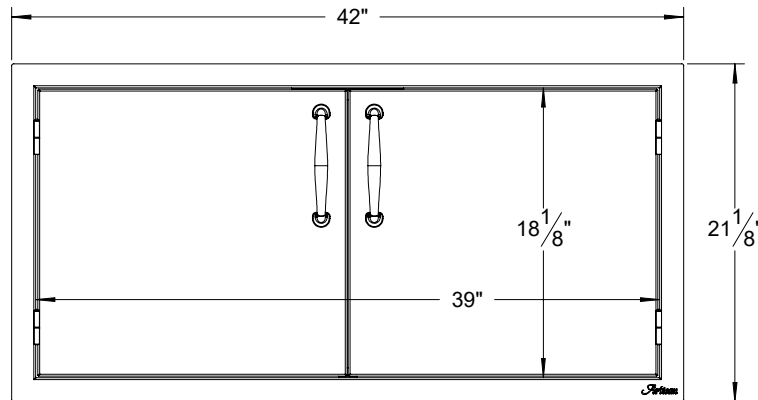
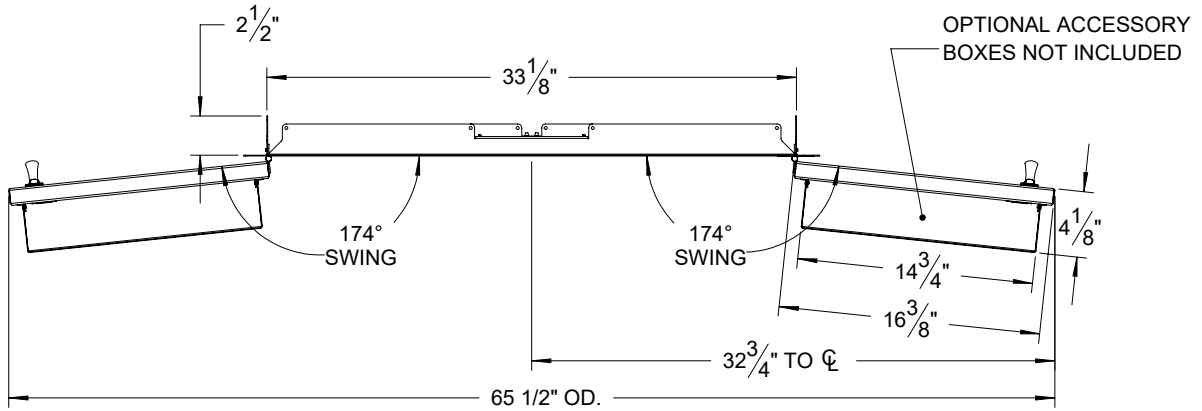
ARTP DOUBLE DOOR CUTOUT WIDTHS		OPTIONAL ACCESSORY BOXES	
MODEL	W	PART NO.	QTY.
ARTP-30DD	27-1/4"	ARTP-DS17	2
ARTP-32DD	29-3/8"	ARTP-DS32	2
ARTP-36DD	33-3/8"	ARTP-DS36	2
ARTP-42DD	39-3/8"	ARTP-DS42	2



PROFILE APPLICABLE TO ALL DOUBLE SIDED DOORS.



**ARTP-36DD**



**ARTP-42DD**

