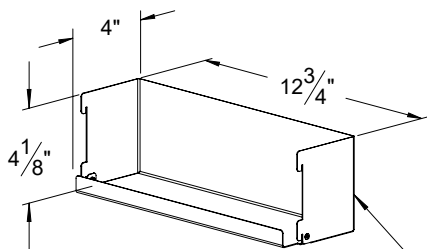
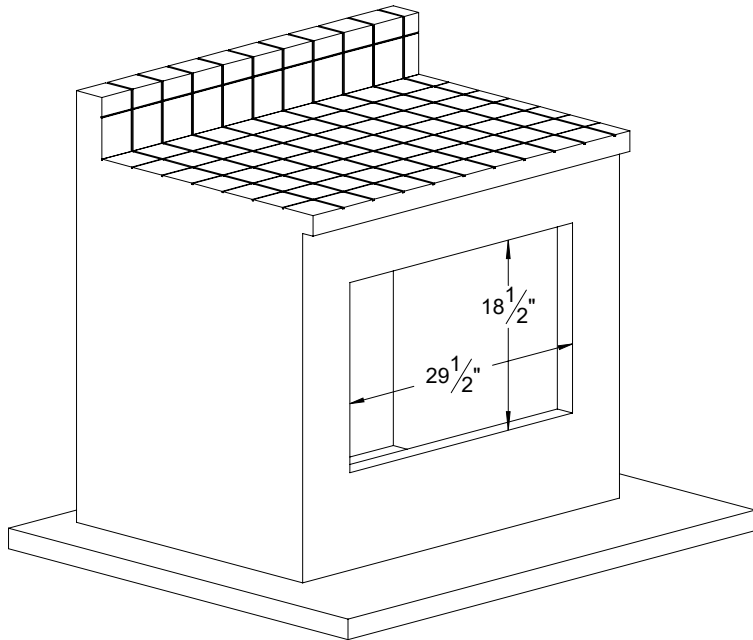


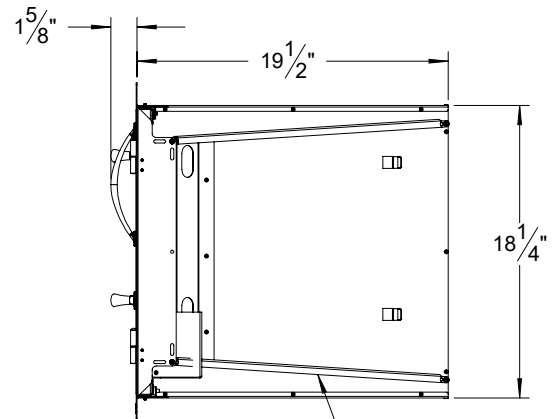
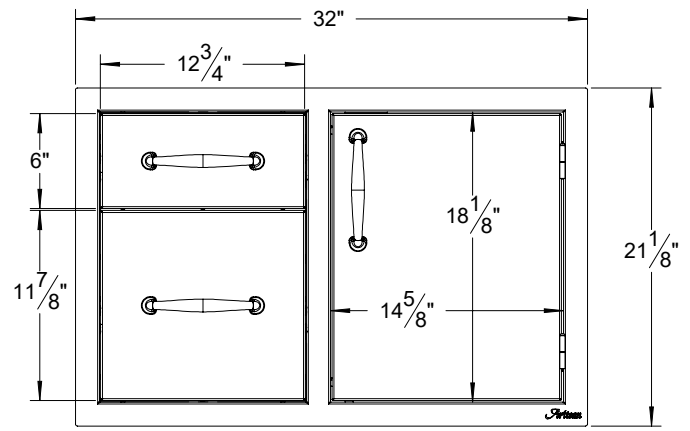
TYPICAL ARTP-DDC-32SC INSTALLATION

COUNTER FRONT CUTOUT REQUIREMENTS

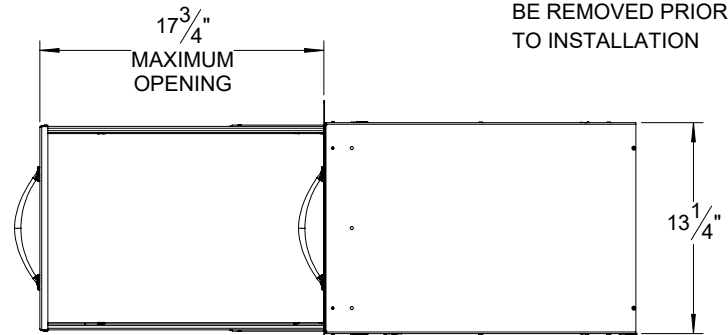


ACCESSORY BOX FOR ARTP-DDC-32SC
ORDER ITEM: ARTP-DS32

ACCESSORY BOX (OPTIONAL)



SHIPPING STRAPS TO BE REMOVED PRIOR TO INSTALLATION



175° MAXIMUM SWING

SHIPPING STRAPS TO BE REMOVED PRIOR TO INSTALLATION

14 3/8"