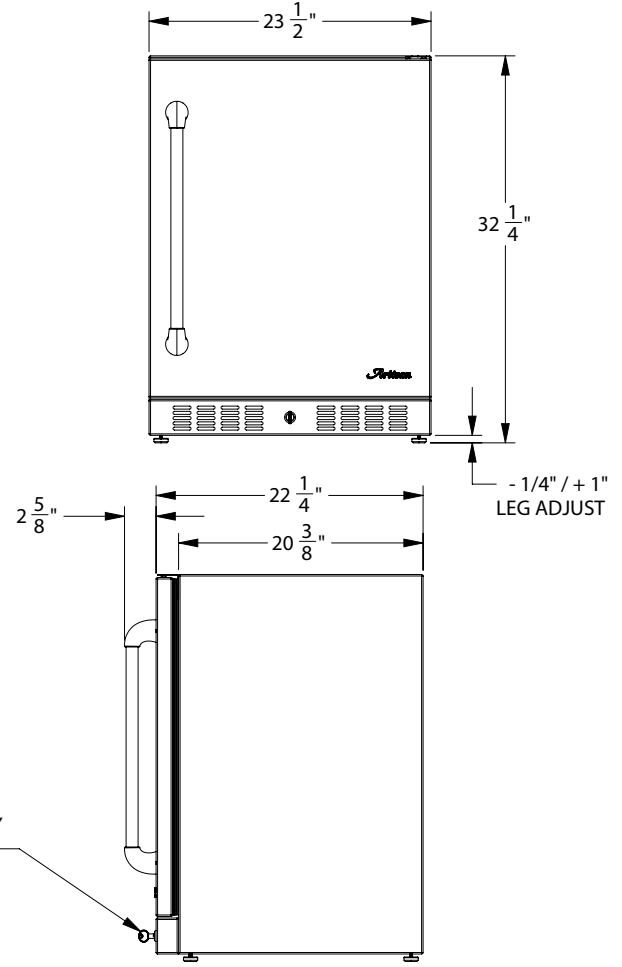
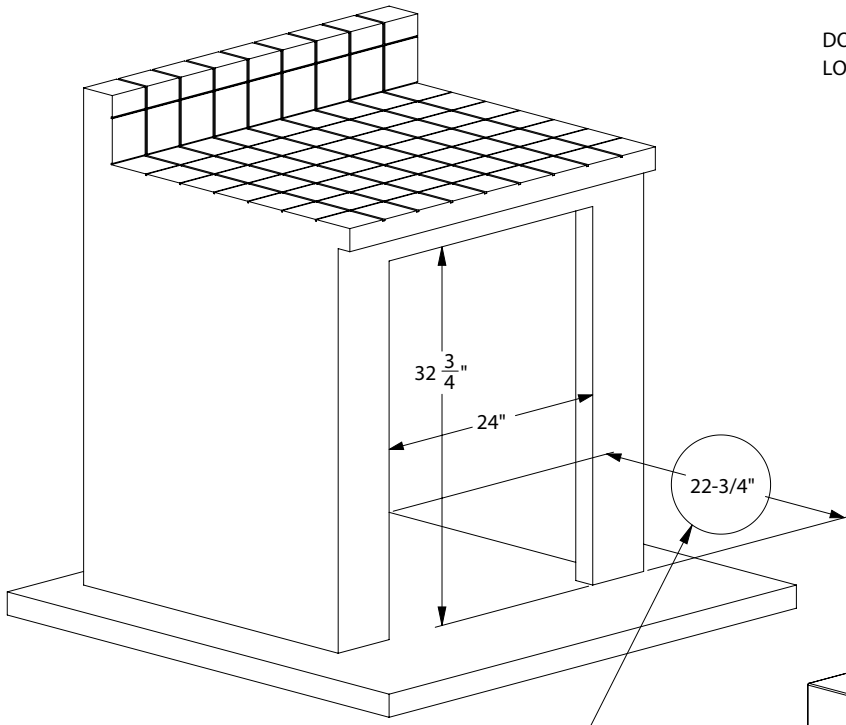


TYPICAL ART-BC24 INSTALLATION



COUNTERFRONT CUTOUT



COUNTER DEPTH NOTE:

22-3/4" MINIMUM DEPTH FOR DOOR FLUSH MOUNTED TO COUNTER FRONT FINISH.  
 20-7/8" MINIMUM DEPTH FOR DOOR OUTSIDE OF COUNTER FRONT AND EXPOSED AS SHOWN ABOVE.

