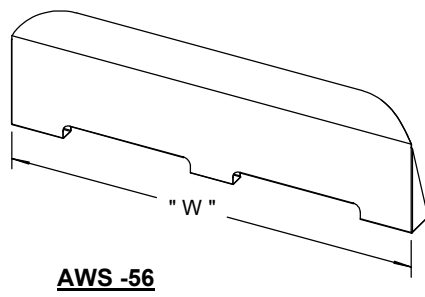
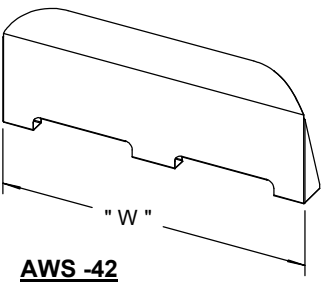
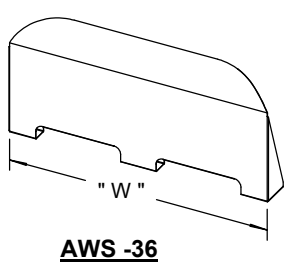
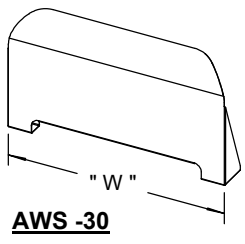
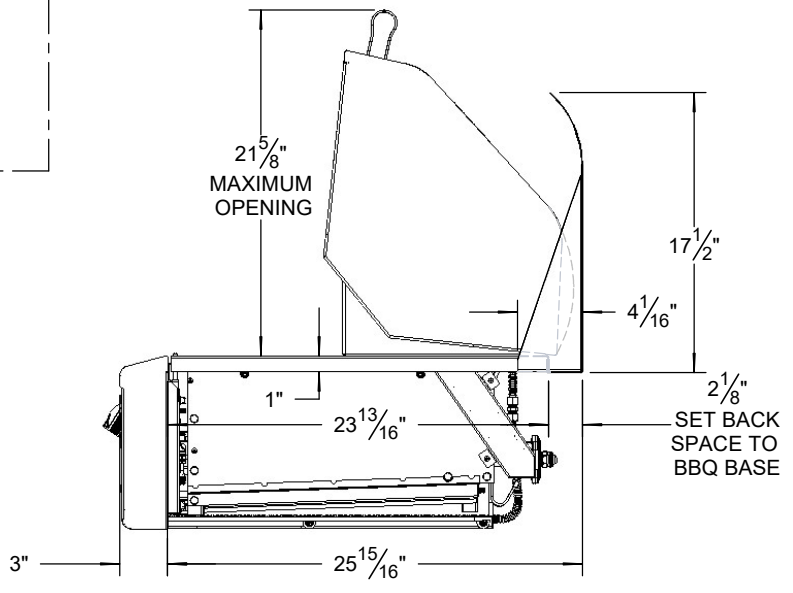


NOTE: See specification sheet for grill counter cutouts.

AWS WIND GUARD AVAILABLE UNITS:

MODELS:	SIZE: W (LENGTH)
AWS - 30	30 3/4"
AWS - 36	36 3/4"
AWS - 42	42 3/4"
AWS - 56	56 3/4"



NOTE:

- The wind-guard is designed to allow cooking on your grill, with consistent flames, when high wind conditions are present.
- The wind-guard unit is installed under the bottom ring perimeter of the ALXE barbeque units. (refer to the wind shield installation sheet for installation purposes)
- The wind-guard unit is intended to be operated with the hood in either opened or closed position, and is designed for permanent or temporary installation using minimal or no tools.
- To ensure safe operation and quality results, always follow the instructions included in your barbeque unit's Care & Use Manual.



SUPERIOR EQUIPMENT SOLUTIONS
1085 Bixby Drive
Industry, CA. 91745 (323) 722-7900

THE INFORMATION CONTAINED IN THIS DRAWING IS THE SOLE PROPERTY OF SUPERIOR EQUIPMENT SOLUTIONS INC. ANY REPRODUCTION IN PART OR AS A WHOLE WITHOUT WRITTEN PERMISSION FROM SUPERIOR EQUIPMENT SOLUTIONS, INC. IS PROHIBITED.

DRAWN BY: Jorge Pelayo
CREATED: April 17, 2019

PROJECT TITLE:
ALFRESCO GRILLS

DRAWING TITLE:
AWS - SPECIFICATIONS

DRAWING NO.: AWS-SPEC SHEET

SHEET 1 OF 1