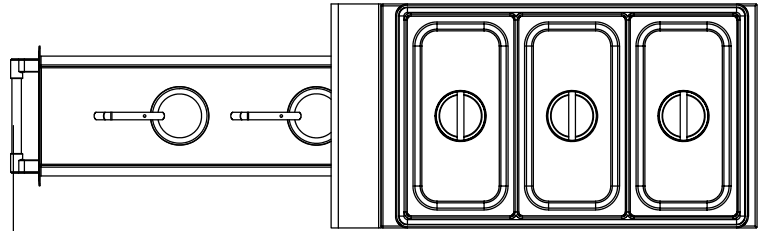
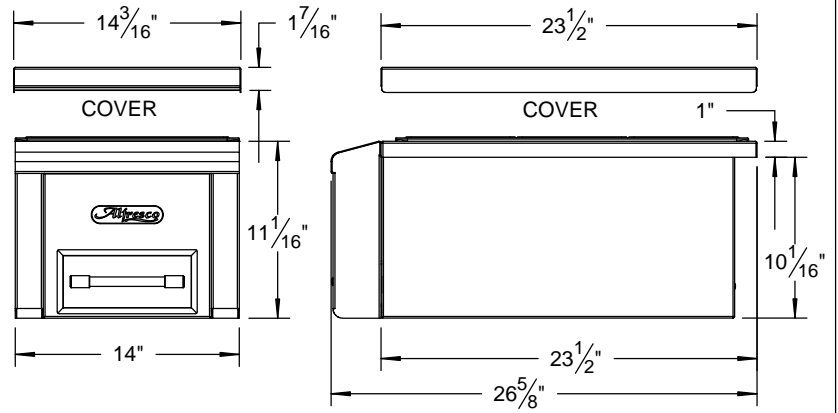
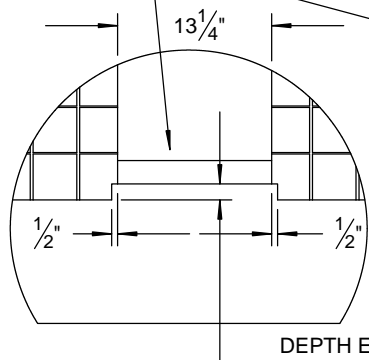
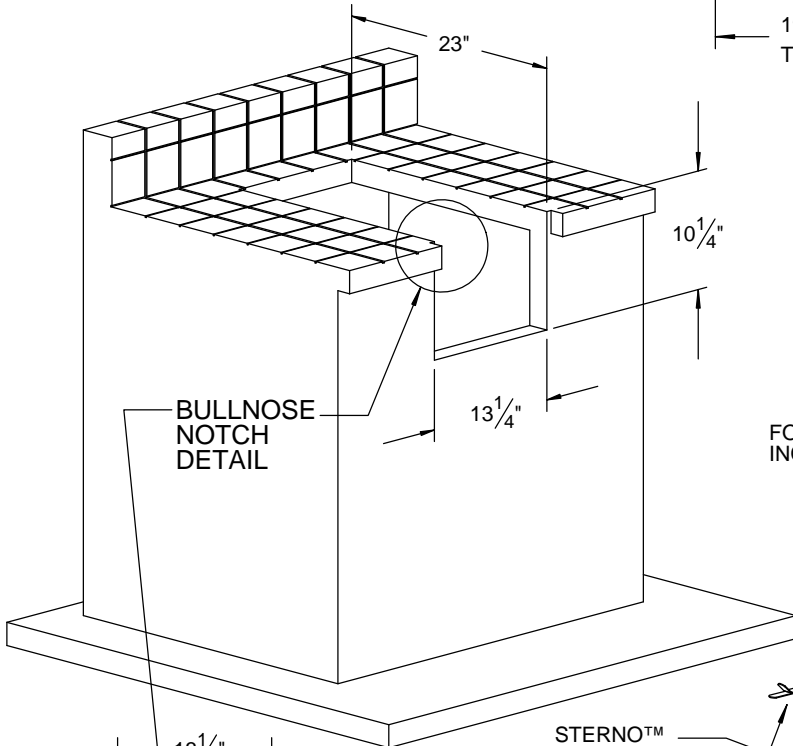


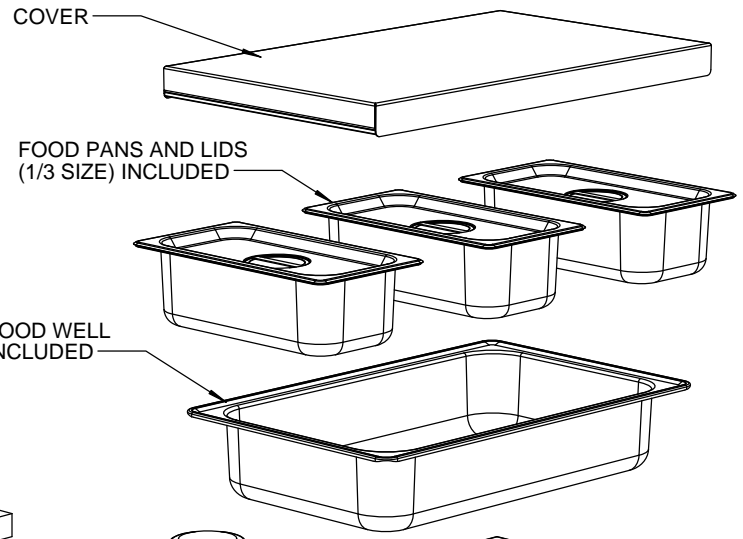
AXEFW TYPICAL INSTALLATION



COUNTERTOP CUTOUT REQUIREMENTS



DEPTH EQUAL TO BULLNOSE OVERHANG



STERNO™ FUEL CANS INCLUDED

FUEL CAN HOLDERS AND ADJUSTABLE LIDS INCLUDED

