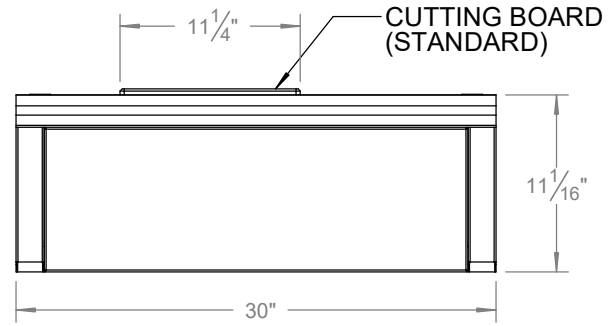
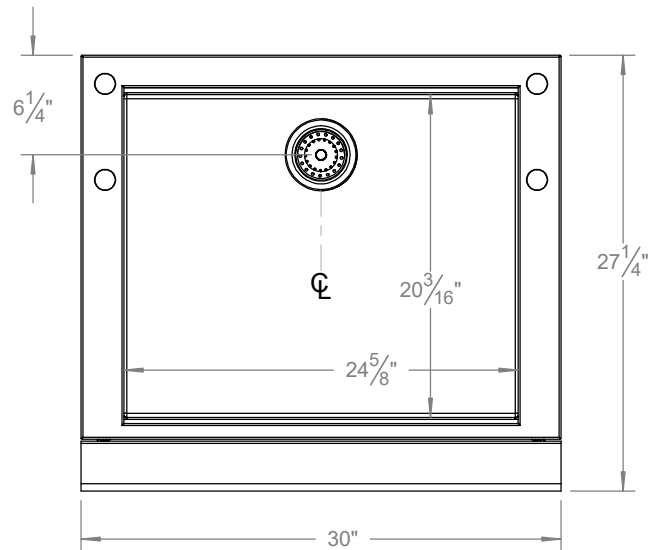


AGBC-30 TYPICAL INSTALLATION

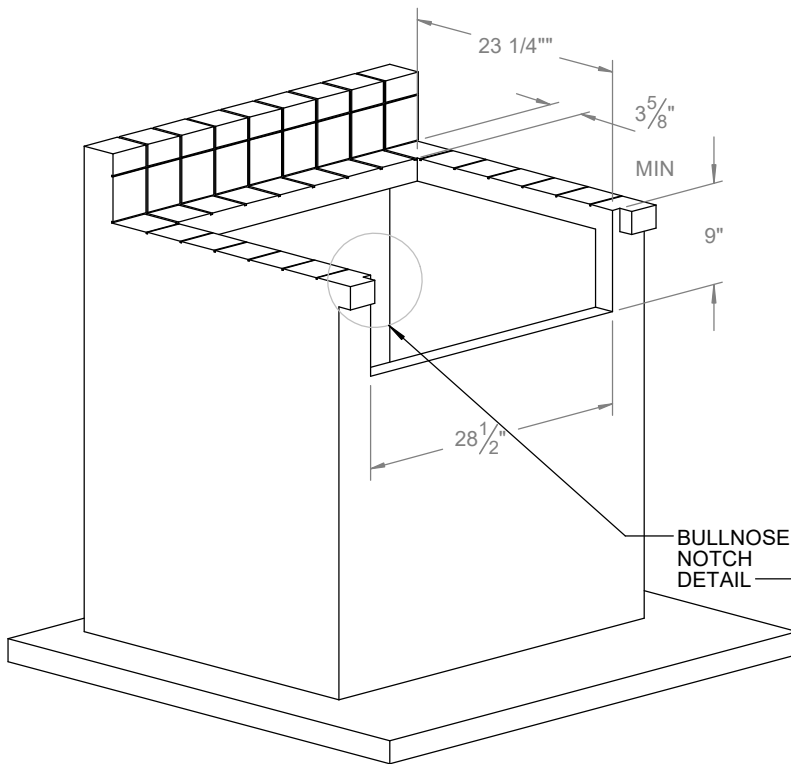
FRONT VIEW



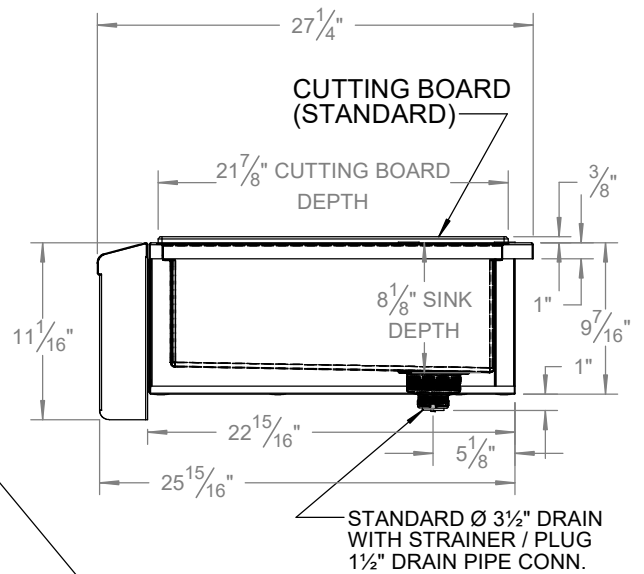
TOP VIEW



COUNTERTOP CUTOUT REQUIREMENTS



BULLNOSE NOTCH DETAIL

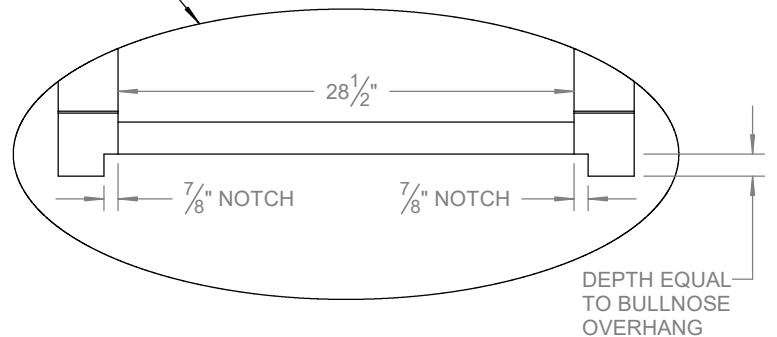


CUTTING BOARD (STANDARD)

21 7/8" CUTTING BOARD DEPTH

8 1/8" SINK DEPTH

STANDARD Ø 3/2" DRAIN WITH STRAINER / PLUG 1/2" DRAIN PIPE CONN.



DEPTH EQUAL TO BULLNOSE OVERHANG

NOTES:

- A DRAIN MUST BE PROVIDED INSIDE THE COUNTER FOR PROPER ABGC-30 INSTALLATION
- OPTIONAL ACCESSORIES REQUIRE THEIR OWN COUNTER PREPARATION
- SEE ADDITIONAL SHEETS FOR ACCESSORIES