



QUALITY STEEL DOORS

- Remove the door from the packaging, locate the keys inside the frame, stand upright and open the door
- To Fit the Handle: Fix the two screw extensions to the outside handle. Place the spindle into the lock mechanism. Place the rubber weather seal on the handles and position onto the door frame. Feed the deadlock bar from the inside handle into the lock mechanism. Fix the handles to each other by screwing into the screw extensions (diagram overleaf).
- Position the frame into the opening and using a spirit level, check that it's plumb and square. Use packers under the frame if required to ensure that the frame is plumb horizontally
- On the hinge side, using the fixing plate holes as a guide, drill the three holes for the fixing bolts. Insert the fixing bolts. **ALWAYS FIX THE HINGE SIDE FIRST!**
- Drill the middle hole for the fixing bolt on the non-hinge side. Insert the fixing bolt. Close and check door for alignment. The door should open and close smoothly without force.
- Adjust the top and bottom alignment of the non-hinge side of the door if necessary, so that the door closes completely into the frame without any gaps.
- When correctly aligned, prop with shims or packers to stop any frame movement. Open the door and complete fixing at the top and bottom of the frame
- Test the locking system by turning the key in two complete rotations. If the door locks and unlocks smoothly, the door frame has been fitted correctly. If the locking system seems to struggle, do not force the key. Make sure the shoot bolts line up with the holes provided in the frame - adjust if necessary.
- Open door fully and check all screws on hinges and locks for tightness
- Remove the protective film from the door and frame

MAINTENANCE

The door should open freely. Openings should be kept clear of obstructions (internally and externally) to ensure that the door operation is not impeded.

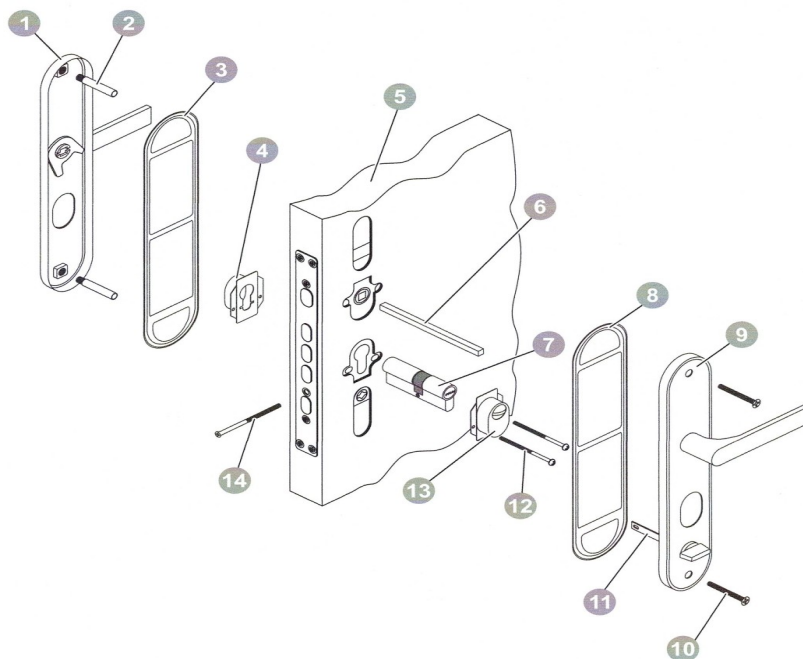
Check the door regularly for alignment. Adjustments can be made by slacking the bolts on the adjustable hinges.

Periodically, apply a light coat of non-greasy silicone spray to the handles, hinges, side and striking face of latch.

When required, the door can be maintained by lightly sanding and painted with a good exterior paint.



QUALITY STEEL DOORS



- | | |
|-------------------------------|--|
| 1 Outside door handle | 8 Inside handle gasket |
| 2 Screw extensions for handle | 9 Inside handle |
| 3 Outside handle gasket | 10 Screws for handles
2 x (M6 x 45 mm) |
| 4 Outside cylinder cover | 11 Privacy snib |
| 5 Door | 12 Screw for cylinder covers
2 x (M4 x 60 mm) |
| 6 Spindle | 13 Inside cylinder cover |
| 7 Lock cylinder | 14 Cylinder retaining screw
1 x (M5 x 75 mm) |



Manufactured for Quality Steel Doors

EN 14351-1:2006 + A1:2010

External Steel Door

Model: YF-S10

Characteristics

Resistance to wind load – Test pressure: Class 1

Resistance to wind load – Frame deflection: Class C

Watertightness: Non-shielded (A) :Class 1A

Height and width:2100mm, 1050mm

Dangerous substance: Compliance declared by manufacturer

Air permeability: Class 3