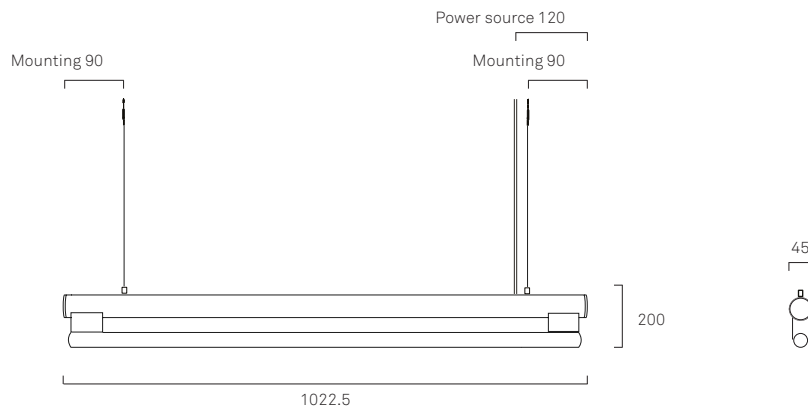


EIFFEL PENDANT LAMP



Eiffel Lamp Specifications

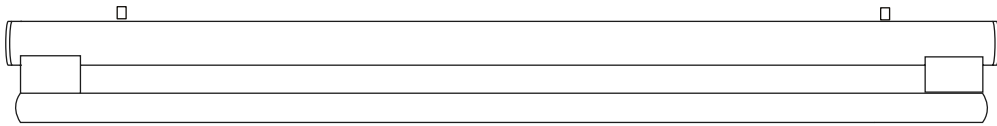
Design	Krøyer-Sætter-Lassen
Year	2015
Typology	Pendant Lamp
Collection	Permanent Lighting
Origin	PRC
Material	Gun Blued Steel
Cord	3000 mm black silicon cord
Certifications	CE-certified
Installation	Two point suspension from 2000 mm aluminium cord. Adjustable length integrated within top of eiffel lamp. Separate LED Bulbs
Socket	S14
Connection	Two S14 sockets for one bulb 3000 mm black silicon cord without plug. Phase through wiring possible
Dimming	Custom integrated dimmer located at end of lamp (CE-certified)

Bulb Specifications

Producer	Osram
Origin	Germany
Material	Opal Glass
Watt	16.5 W LED
Lumen 1000 mm bulb	990 lm
Color temperature	2700K
Ra	>80
Base Socket	S14
Lifhours	20 000
Lifecycles	50 000
Warm-up time (60%)	0.00s
Light control	Dimmable
Energy class	A
Energy Consumption	9 kWh/1000h
Certifications	CE-certified
Overall length	1000 mm
Diameter	29 mm

Product	Item No.	EAN code
Eiffel Pendant Steel 1000	FR-2105	5712828322107

EIFFEL PENDANT
Designed by Krøyer Sætter Lassen



FRAMA

EIFFEL ASSEMBLY GUIDE

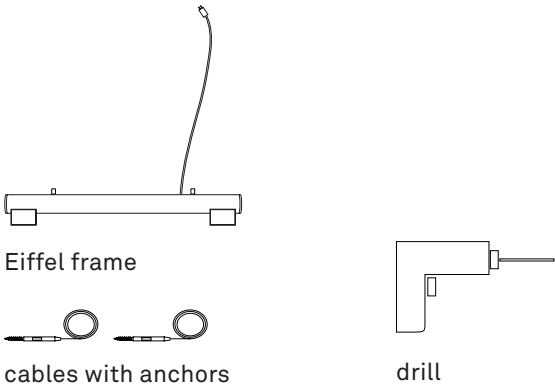
CONTENTS:

In this box you will find:

- 1 Ceiling mounted Eiffel frame with plated brass end details, and black silicon wire
- 2 height adjustable ceiling cables with brass anchors

Supplementary tools:

- Drill

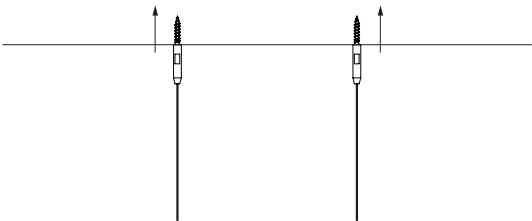


ASSEMBLY:

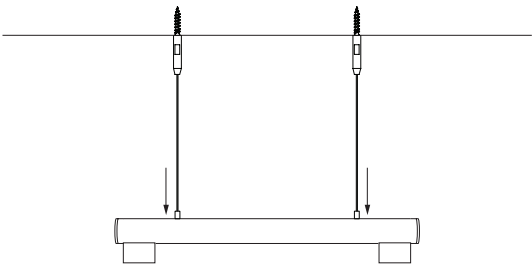
Start by unpacking the Eiffel frame, and mounting cables located separately in a small plastic bag. After locating and marking the desired ceiling placement for the two mounting cables to hang, as well as a power source for the electrical cord. The mounting cables have two threaded brass anchors. Please note an additional wall anchor may be necessary depending on the ceiling material. Using the appropriate anchor for the ceiling material, drill and mount these brass ends on the ceiling placements marked previously.

Secondly, measure the desired height the Eiffel should be set from the ceiling. Using the brass fixtures located on the top of the Eiffel lamp, remove or add desired length of cable by pushing the small tube and feeding the cable through to the appropriate height. From here, fasten either end of the cables securely within the top holes of the Eiffel frame, and adjust height accordingly to level out the fixture.

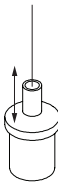
Holding the Eiffel frame secure, mount the 1000 mm. S14 tube bulb within both bottoms sockets from a 90° angle. Never attempt to mount one socket at a time. This may result in high risk of the bulb shattering.



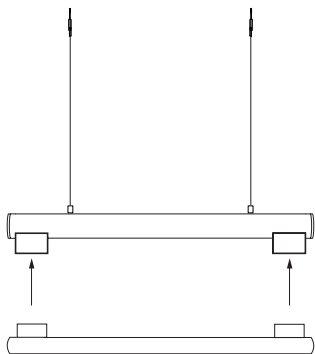
drill and mount the brass ends on the ceiling placement



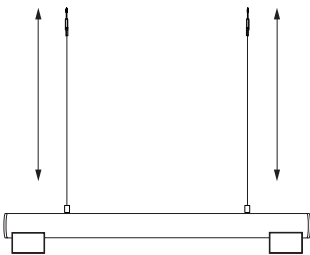
feed the cable into the lamp



adjust the height while pushing the small tube



insert the bulb parallel (90°) to the Eiffel frame



adjust the hight

EIFFEL MAINTENANCE GUIDE

WAXING UNTREATED METAL:

Should you want to add an additional protective layer to Eiffel, follow the below instructions on waxing metal. Note this should not be applied to brass ends of the product. Take care when applying wax to avoid the inner socket areas.

Since wax is only a coating and doesn't actually bind with metals, it must be periodically reapplied. As long as the piece is indoors, the wax will typically last at least a few years.

1. Use mineral spirits to clean the steel before application.
2. Using warm, clear wax, rub a thin layer over the metal with a soft cloth.
3. Using a clean cloth, buff out all of this dull wax with circular motions.
4. When the wax has been sufficiently buffed, the dullness will be gone, replaced with a slight shine. The finished wax should feel smooth and slippery to the touch.

CORDS:

Avoid contact with liquid and cleaning soap. Use a brush or cloth to remove dirt from the cord.

Avoid direct sunlight and sharp items.

Do not cut the cords by yourself, let a licensed electrician perform length adjustments.

MOUNTING:

2. Connect the ceiling output to the terminal block. The blue wire is fasten on the opposite side from the blue wire on the terminal block. Fix the wire by tighten the screw. Use a small screwdriver.
3. Connect the brown wire in the same way.
4. Hang the pendant and adjust the ceiling cup by tighten the cord grip in it's right position

Eiffel Pendant 1000
Dimensions : H 45 L1000 D200

Materials : Black steel frame, plated brass end details, 16.5 W
led tube bulb, aluminium cord, black silicon wire

CE Designed in Denmark | Produced in PRC

Eiffel Pendant 1000
Item No. 2105



FRAMA

Org. St. Pauls Apotek - Fredericiagade 57 - Copenhagen - Denmark