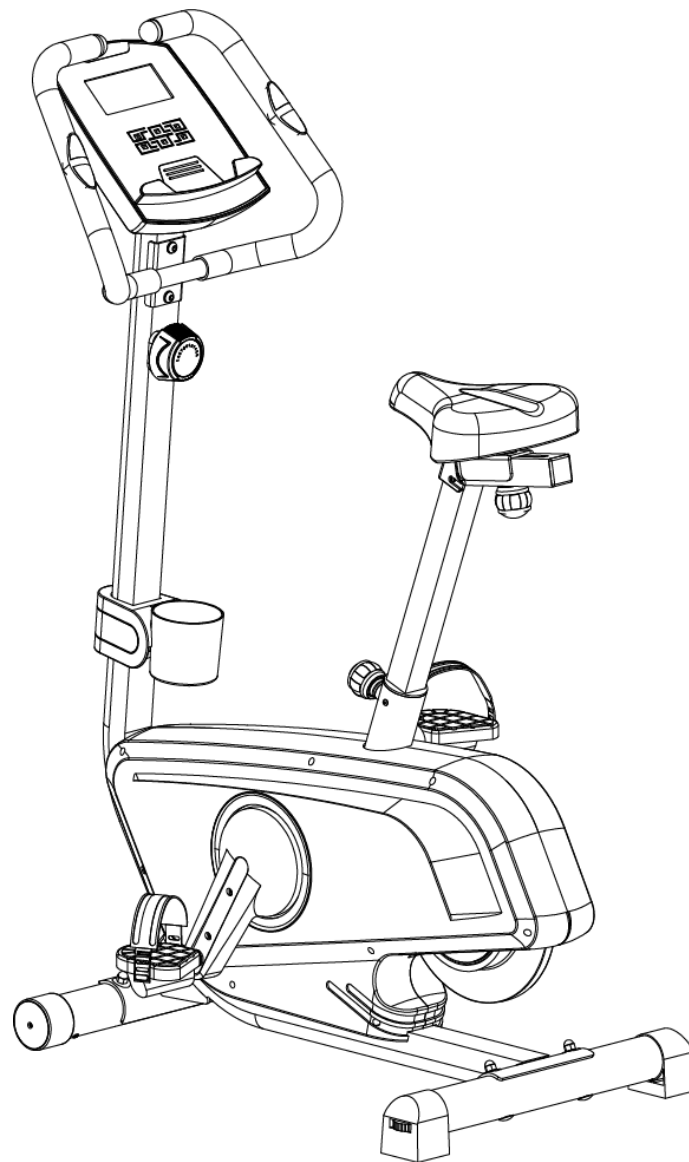


JF500 UPRIGHT BIKE

INSTRUCTION MANUAL



Scan the QR code for a step-by-step video guide on how to assemble your exercise bike.

Scan the QR code to view our support center for more technical resolutions and FAQ's about your item.



CONTENTS

| | |
|-------------------------------|---|
| Exploded diagram | 4 |
| Parts list | 5 |

1. SAFETY INSTRUCTIONS

| | |
|---|---|
| Important safety information | 6 |
| User safety precautions | 7 |
| Prior to use..... | 7 |
| During use..... | 7 |
| Exercise safety precautions | 7 |
| Facility safety precautions | 8 |
| Warning stickers | 8 |

2. ASSEMBLY

| | |
|---|----|
| Preparing the site | 9 |
| Diagram | 9 |
| Content listing | 10 |
| Box contents..... | 10 |
| Tools pack..... | 10 |
| JF500 assembly | 11 |
| Monitor configuration | 15 |
| Testing the bike operation | 15 |
| Specifications | 16 |

3. OPERATION

| | |
|-----------------------------------|----|
| Heart-rate sensors | 17 |
| Data readouts | 17 |
| Monitor instructions | 17 |
| Scan mode..... | 17 |
| Main display..... | 17 |
| Target programs..... | 18 |
| Resetting your monitor..... | 18 |

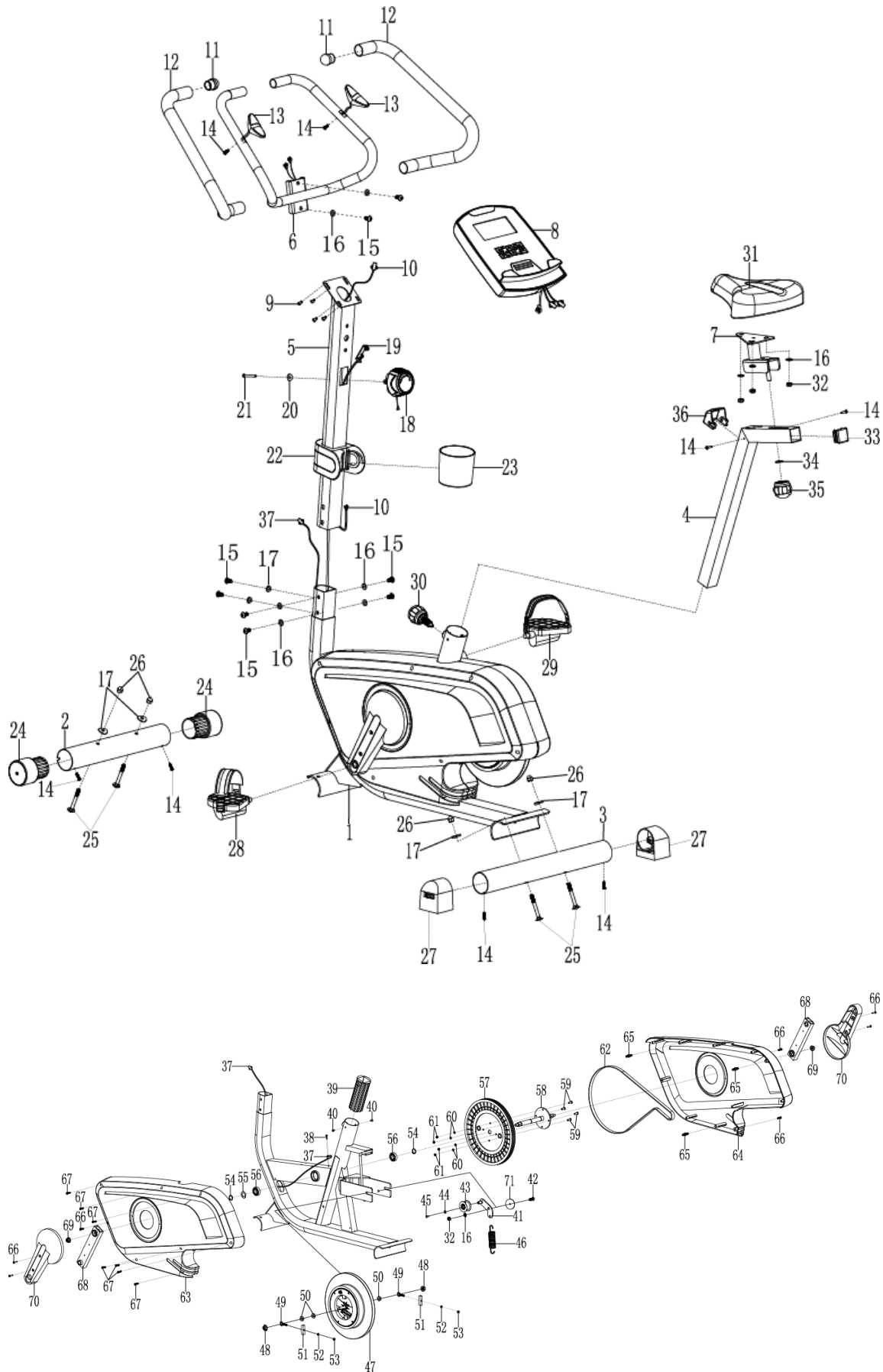
4. MAINTENANCE

| | |
|--|----|
| Preventive maintenance activities | 19 |
| Bike cleaning | 20 |

5. ADDITIONAL INFORMATION

| | |
|--------------------------|----|
| Contact information..... | 21 |
| Disclaimer..... | 21 |

EXPLODED DIAGRAM



PARTS LIST

| No. | Description | Qty | No. | Description | Qty |
|-----|--|-----|-----|--------------------------------|-----|
| 001 | Main Frame | 1 | 035 | Nut M8 | 1 |
| 002 | Front Stabilizer | 1 | 036 | Seat Sliding Tube Cover | 1 |
| 003 | Rear Stabilizer | 1 | 037 | Sensor with Wire L=900mm | 1 |
| 004 | Seat Post | 1 | 038 | Screw ST2.9x12 | 2 |
| 005 | Handlebar Post | 1 | 039 | Bushing | 1 |
| 006 | Handlebar | 1 | 040 | Screw ST4.2x6 | 2 |
| 007 | Seat Sliding Tube | 1 | 041 | Idle Wheel Bracket | 1 |
| 008 | Computer | 1 | 042 | Bolt M8x18 | 1 |
| 009 | Bolt M5X10 | 4 | 043 | Idle Wheel Ø10xØ35 | 1 |
| 010 | Extension Sensor WireL=800mm | 1 | 044 | Washer Ø12xØ6x1.0 | 1 |
| 011 | Handlebar End Cap Ø25x1.5 | 2 | 045 | Bolt M6x10 | 1 |
| 012 | Handlebar Foam Grip Ø324xØ30x630 | 2 | 046 | Draw spring Ø17x75xØ2.0 | 1 |
| 013 | Hand Pulse Sensor with Wire L=750mm | 2 | 047 | Flywheel | 1 |
| 014 | Screw ST4.2x20 | 8 | 048 | Nut M10x1.0x6 | 2 |
| 015 | Bolt M8x15 | 8 | 049 | Eyebolt M6x36 | 2 |
| 016 | Washer Ø8xØ16x1.5 | 10 | 050 | Hexagon Nut M10x5 | 3 |
| 017 | Big Arc Washer Ø8xØ20x2.0 | 6 | 051 | U-Shape Bracket | 2 |
| 018 | Tension Control Knob | 1 | 052 | Spring Washer Ø6 | 2 |
| 019 | Tension Cable L=1300mm | 1 | 053 | Nut M6 | 2 |
| 020 | Big Curve Washer Ø5xØ15x1.0 | 1 | 054 | Shaft Ring Ø17x1.0 | 2 |
| 021 | Bolt M5x50 | 1 | 055 | Wave spring washer Ø17xØ21x0.3 | 1 |
| 022 | Bottle Holder-A | 1 | 056 | Bearing 6003-2Z | 2 |
| 023 | Bottle Holder-B | 1 | 057 | Belt Pulley with Crank | 1 |
| 024 | End Cap For Front Stabilizer | 2 | 058 | Straight Spindle Assembly | 1 |
| 025 | Bolt M8x70 | 4 | 059 | Bolt M6x15 | 4 |
| 026 | Cap Nut M8 | 4 | 060 | Spring Washer Ø6 | 4 |
| 027 | End Cap For Rear Stabilizer | 2 | 061 | Bolt M6 S10 | 4 |
| 028 | Left Pedal | 1 | 062 | Belt | 1 |
| 029 | Right Pedal | 1 | 063 | Left Chain Cover | 1 |
| 030 | Round Knob M16x1.5 | 1 | 064 | Right Chain Cover | 1 |
| 031 | Seat Cushion | 1 | 065 | Plastic Stud Ø8x32 | 3 |
| 032 | Nut M8 | 4 | 066 | Screw ST4.2x20 | 8 |
| 033 | Square End Cap38x38x1.5 | 1 | 067 | Screw ST4.2x25 | 7 |
| 034 | Big Washer Ø10xØ25x2.0 | 1 | 068 | Crank Assembly | 2 |
| 069 | Nut M10x1.25 S14 | 2 | 071 | PC gasket Ø47*Ø10.5*0.4 | 1 |
| 070 | Cover Cap | 2 | | | |

1 SAFETY INSTRUCTIONS

Please pay attention to the following instructions before operating this bike.

IMPORTANT SAFETY INFORMATION

Thank you for choosing our product. To ensure your health and safety, please use this equipment as advised. It is important to read this entire manual before assembling and using the equipment. Safe and effective use can only be achieved if the equipment is assembled, maintained and used in accordance to the manual. It is your responsibility to ensure that all users of the equipment are informed of all warnings and precautions.

1. Before starting any exercise program, you should consult a health professional to determine if you have any medical or physical conditions that could put your health and safety at risk or prevent you from using the equipment properly. A health professional's advice is essential if you are taking medication that affects your heart rate, blood pressure or cholesterol level.
2. Be aware of your body's signals. Incorrect or excessive exercise can damage your health. Stop exercising if you experience any of the following symptoms: pain, tightness in your chest, irregular heartbeat, lightheadedness, dizziness or feelings of nausea. If you do experience any of these conditions, you should consult a health professional before continuing with your exercise program.
3. Keep children and pets away from the equipment. The equipment is designed for adult use only.
4. Use the equipment on a solid, flat level surface with a protective cover for your floor or carpet. To ensure safety, the equipment should have at least 2 feet (61 cm) of free space all around it.
5. Ensure that all nuts and bolts are securely tightened before using the equipment. The safety of the equipment can only be maintained if it is regularly examined for damage and/or wear and tear.
6. Always use the equipment as indicated. If you find any defective components while assembling or checking the equipment, or if you hear any unusual noises coming from the equipment during exercise, discontinue use of the equipment immediately. Please contact JLL Fitness on 0800 6123 988 for advice on how to resolve the issue.
7. Wear suitable clothing while using the equipment. Avoid wearing loose clothing that may become entangled in the equipment.
8. Do not place fingers or objects into the moving parts of the equipment.

9. To avoid bodily injury and/or damage to the product or property, ensure to follow safe procedures for lifting and moving the item.
10. Your product is intended for use in cool, dry conditions. You should avoid storage in extreme cold, hot or damp areas as this may lead to corrosion and other related problems.

USER SAFETY PRECAUTIONS

PRIOR TO USE

- Assemble the bike according to the instruction manual.
- Consult your doctor before beginning any exercise program.
- Read instructions.
- Read warning labels.
- Read emergency stop procedures.
- Maximum user weight is 120kg/ 18.8 St.
- Inspect unit. If damaged, DO NOT USE.
- Ensure every bolt and screw is securely tightened.

DURING USE

- DO NOT use for stretching and DO NOT attach straps or other devices.
- DO NOT allow children aged 12 or younger to be on or near the machine.
- Stop exercising if you feel faint, dizzy, or encounter pain.
- Keep all clothing and accessories clear of moving parts.
- **This upright bike has not been designed to be used as an Indoor Cycling Bike. It is not suitable for cycling classes or studio workouts, it has been designed for domestic use and to be used while seated and not stood up. An upright bike is not capable of handling the intense workouts and cadence of a studio bike.**

EXERCISE SAFETY PRECAUTIONS

- Use sports clothes and gym shoes.
- DO NOT use with bare feet.
- This model has been designed for domestic purposes only.

FACILITY SAFETY PRECAUTIONS

- DO NOT operate in damp or wet locations.
- Use caution when getting on or off the bike.
- Check the bike for worn or loose components before each use. DO NOT use until worn or damaged parts are replaced.
- Maintain regularly. Refer to *Preventive Maintenance* chapter.
- DO NOT use the bike if: (1) the bike is not working adequately or (2) the bike has been dropped or damaged.
- DO NOT use the bike outdoors.
- Read the instruction manual completely before using the bike.
- Ensure all users wear appropriate footwear on JLL® equipment.
- As far as possible provide the following clearances: 0.5 m at each side and 2 m at the back. Be sure your bike is clear of walls, equipment and other hard surfaces.
- DO NOT modify the bike in any way. Any modifications will void the warranty.
- All the data displayed by the monitor is for reference purposes only.

WARNING STICKERS

Warning stickers indicate a potentially hazardous situation which, if not avoided, could result in death or serious injury. Carefully read the following caution and warning labels before using the unit.

WARNING

It is strictly forbidden to touch any moving parts of the bike.

WARNING

Keep small children and pets a safe distance from bike when in use.

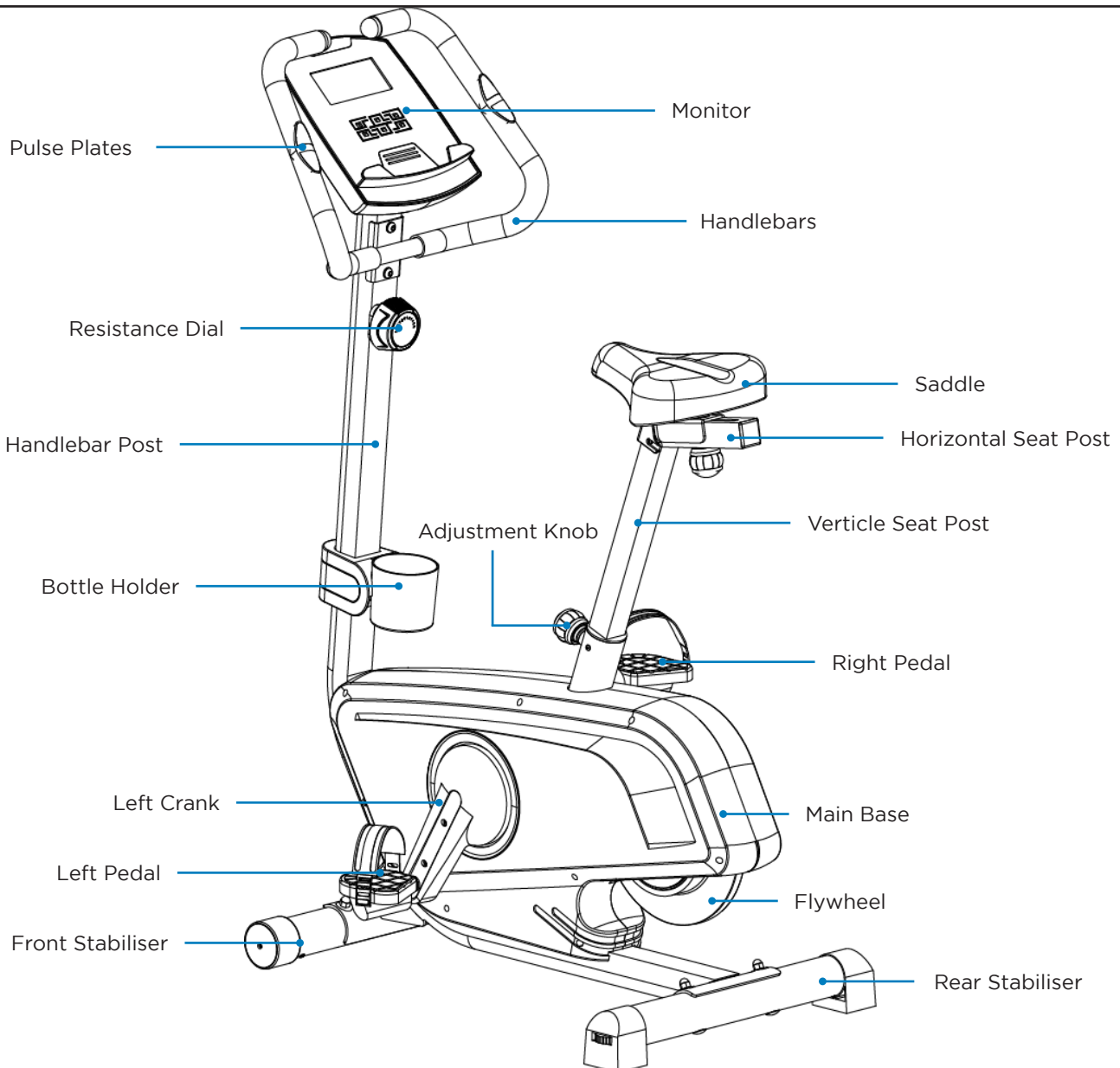
2 ASSEMBLY

PREPARING SITE

To find the ideal location to set up this bike, ensure that:

- Area is well illuminated and well ventilated.
- Surface is level.
- There is enough space to access the unit and emergency dismount. If it is possible, keep the following clearances: 0.5 m at each side and 2 m at the back.
- The bike is placed in an environment with a relative humidity range of 30-50%. Please ensure the temperature is kept constant. Do not use in a moist or damp environment as this may impact on the integrity and performance of the machine.

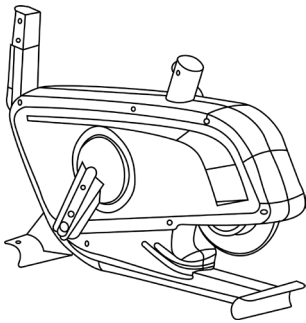
DIAGRAM



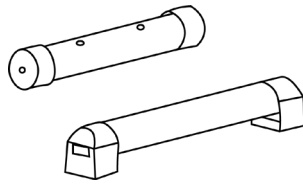
CONTENT LISTING

See diagram (left) and content listing (below) for exercise bike box contents. See *Customer Service* chapter for contact information if any parts are missing.

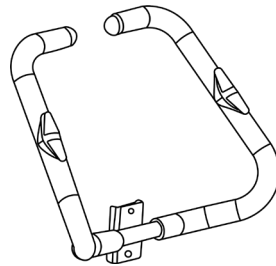
BOX CONTENTS



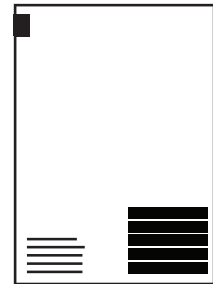
Bike Main Base



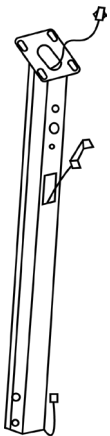
Stabilizers x2



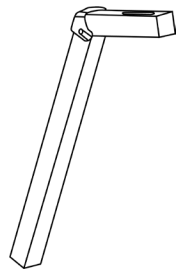
Handles



Manual



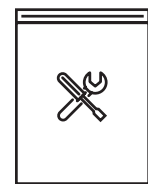
Handlebar Post



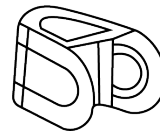
Verticle Seat Post



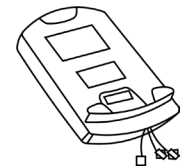
Saddle



Tools Pack²



Bottle Holder Part A



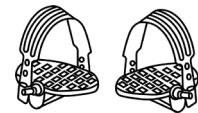
Monitor



Horizontal Seat Post



Bottle Holder Part B



Pedals R/L



Resistance Dial

² TOOLS PACK



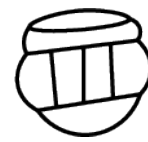
M8 Carriage Bolt x4



M8 Domed Nut x4



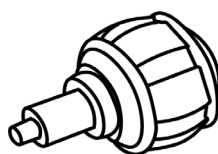
Arc Washer x4



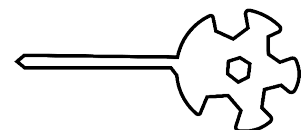
Round Knob x1



Hex Allen Key x1



Adjustment Knob x1

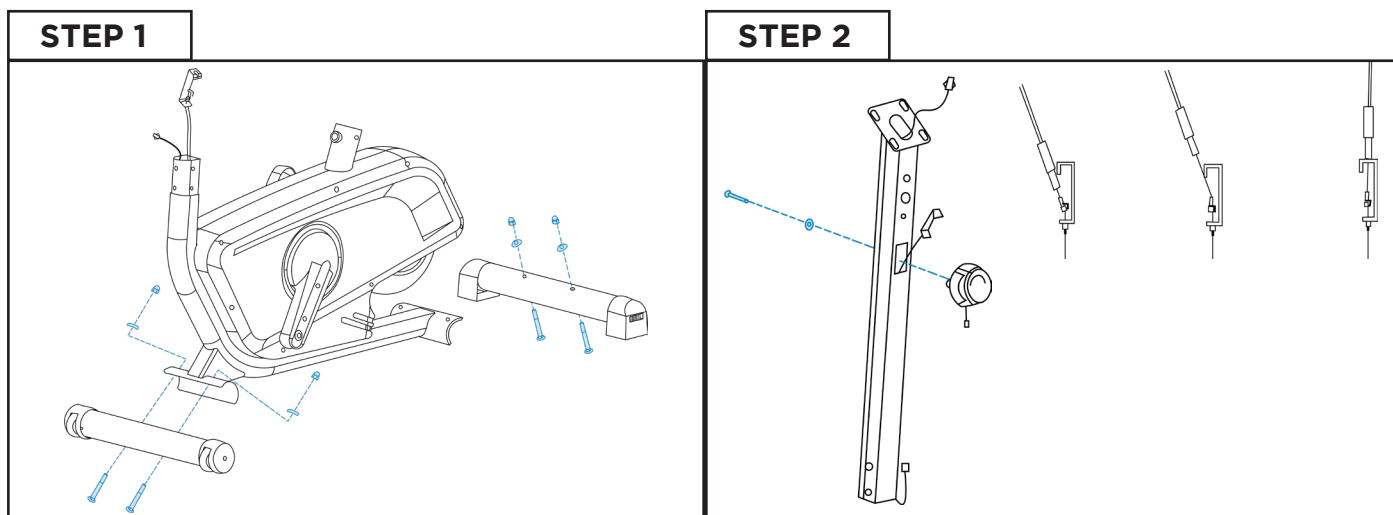


Multi-Tool x1


JF500 ASSEMBLY

The bike has been assembled and tested at the factory, so you shouldn't have any problems putting all the parts together. Components are designed to fit together, and only basic tools are required for the assembly process. Inside the box you will find a Tools Pack (Hex Allen Key, Multi-Tool, Washers and Bolts). See previous page.

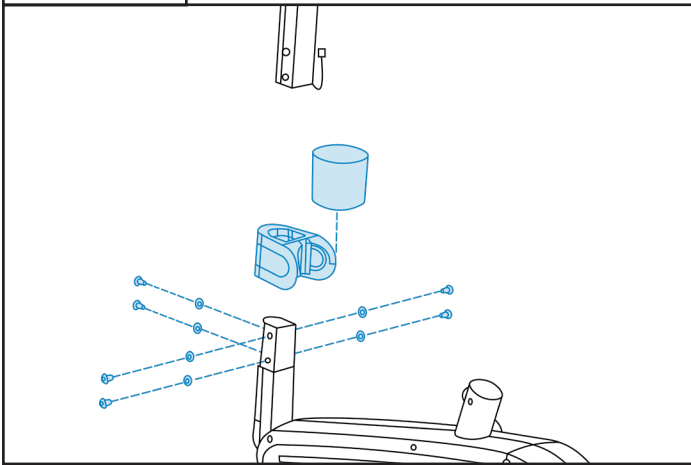
To assemble your JLL JF500 please follow these easy steps:



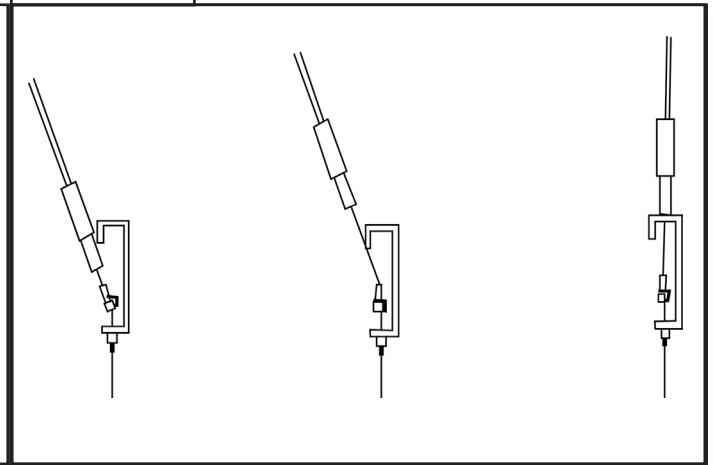
Attach the front and rear stabilizers to the main base using four M8 carriage bolts, four arc washers and four M8 domed nuts. Tighten using the multi-tool.

 **NOTE:** The front stabilizer will be the one with the wheels attached.

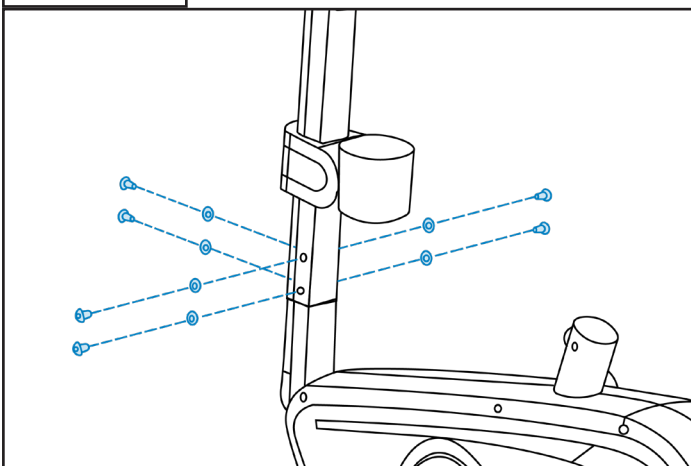
Next, start by removing the M5 bolt and big curve washer from the tension control knob. Feed the end of the cable into the spring hook of the tension cable from the top half of the handlebar post. Attach the tension control knob to the handlebar post by re-securing the M5 bolt and big curve washer.

STEP 3

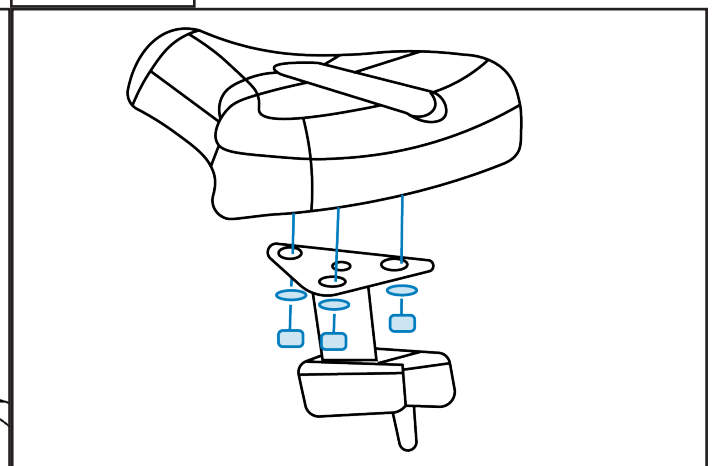
Remove the six M8 Allen head bolts and flat washers from the main base. Then connect the bottle holder part A to Part B and slide onto the main base.

STEP 4

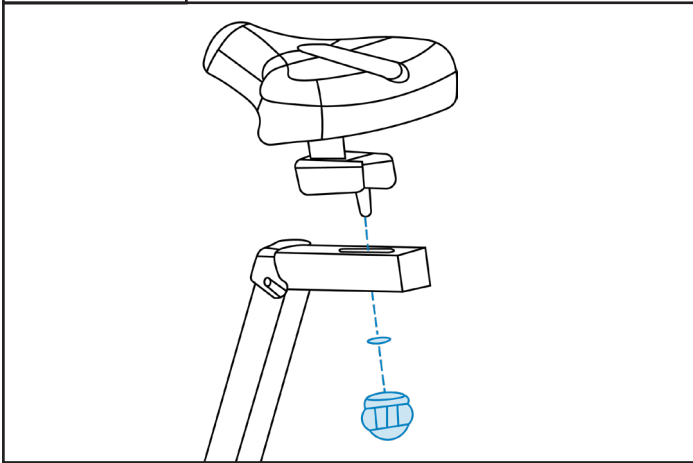
Connect the sensor wire from the handlebar post to the main base, then connect the tension cable following the diagram on the right.

STEP 5

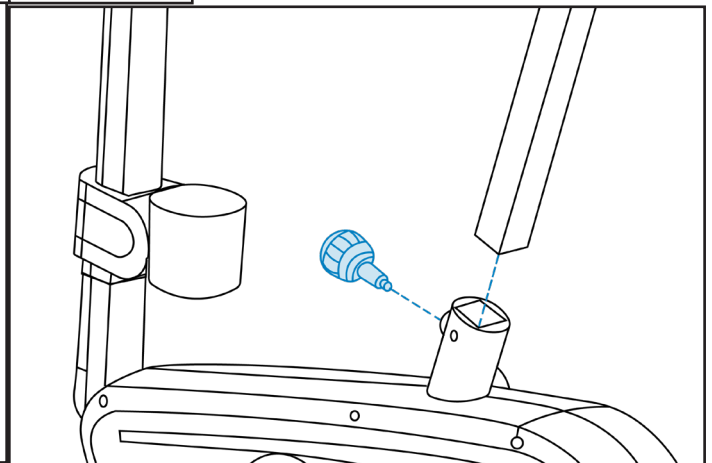
Insert the handlebar post onto the tube of the main frame and secure using the six Allen head bolts removed from earlier.

STEP 6

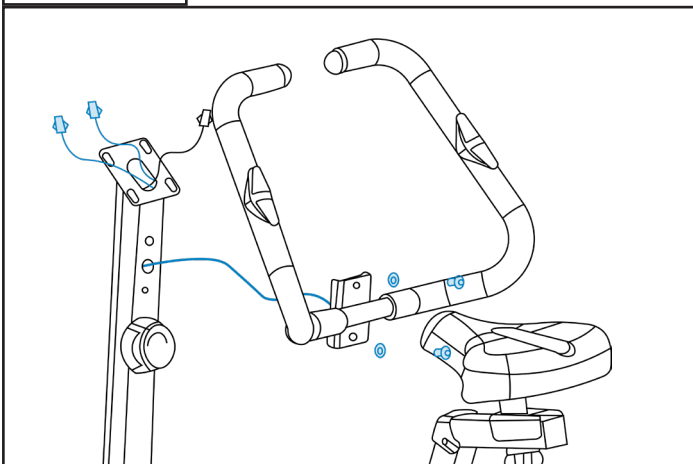
Attach the saddle to the horizontal seat post using the three M8 nylon nuts and washers found under the seat.

STEP 7

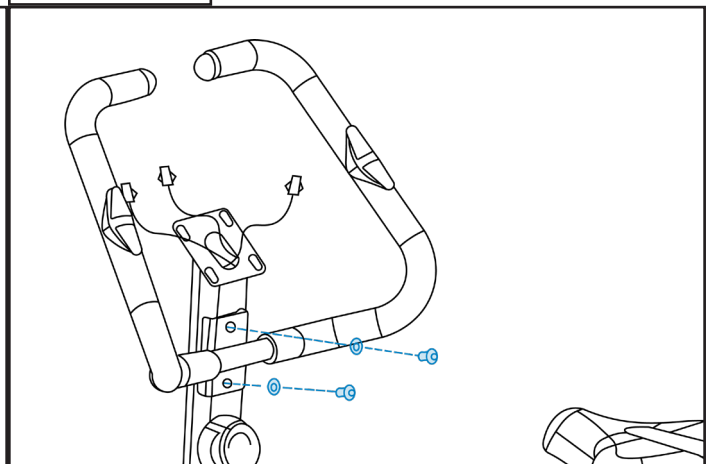
Attach the horizontal seat post to the vertical seat post using one large washer and one round knob.

STEP 8

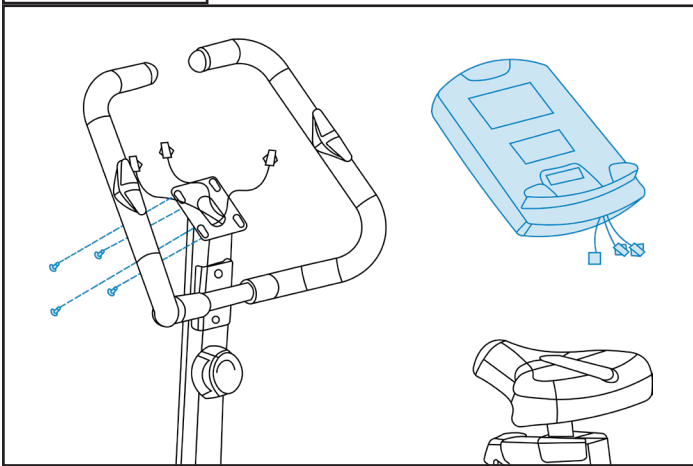
Insert the seat post into the main base and secure using the seat post knob.

STEP 9

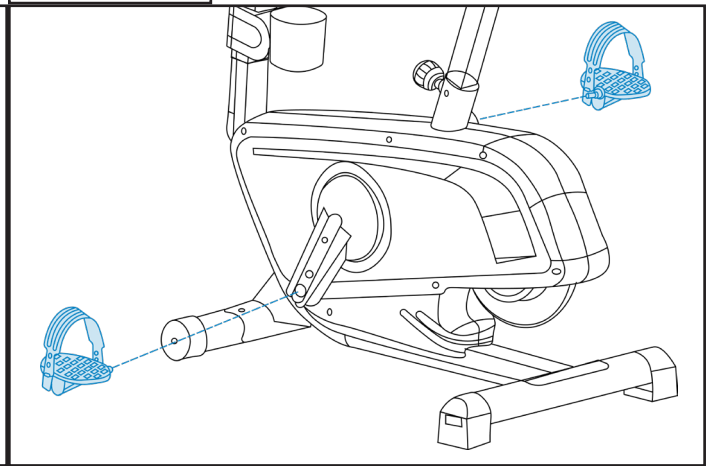
Remove the two M8 Allen head bolts and washers from the handlebar post and feed the pulse wires from the handlebars into the frame and pull them up through the top.

STEP 10

Secure the handlebars to the handlebar post using the two M8 Allen head bolts and washers removed from earlier.

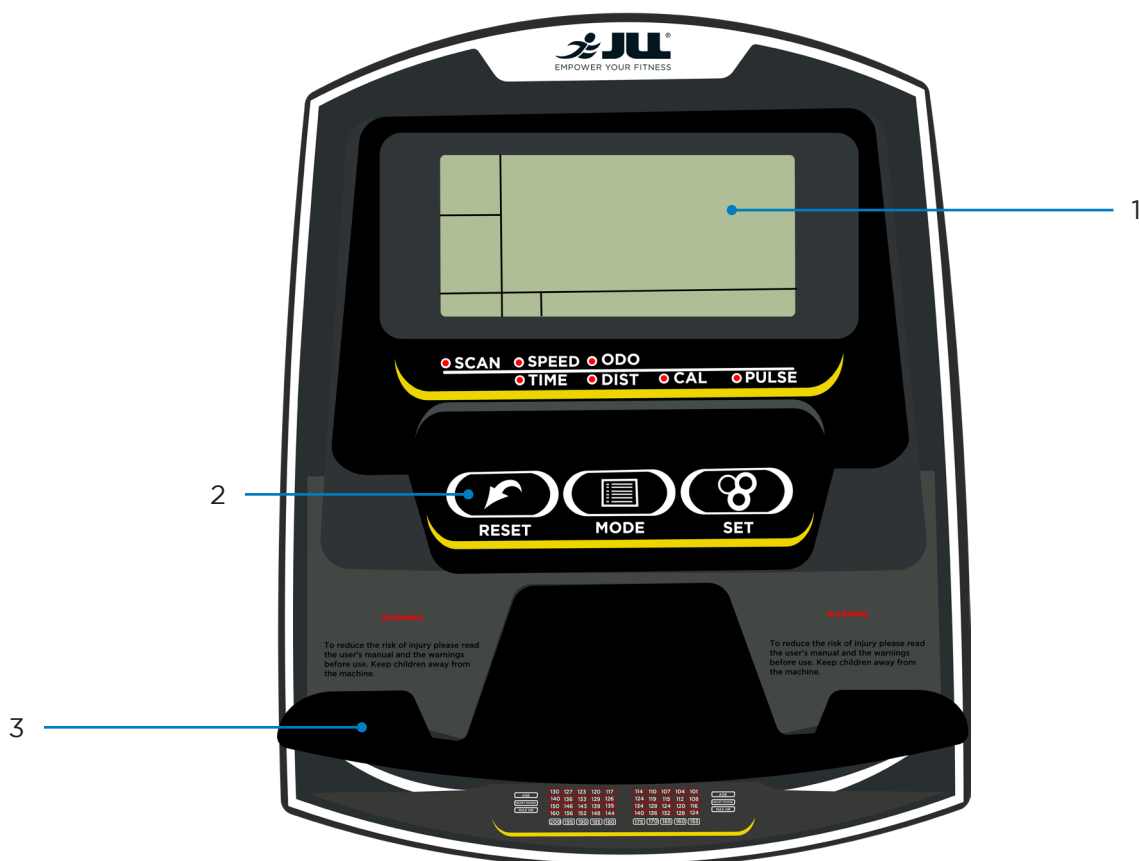
STEP 11

Connect the sensor wires from the monitor to the handlebar post and secure the monitor to the bracket using the four screws found in the back of the monitor.

STEP 12

Secure the pedals to the corresponding cranks, each will be labeled with an R or L. Turn the right pedal clockwise and the left anti-clockwise.

MONITOR CONFIGURATION



| | | | |
|---|--------------|---|---------------|
| 1 | Main Display | 3 | Tablet Holder |
| 2 | Buttons | | |

TESTING THE BIKE OPERATION

Use the following instructions to test the full resistance of the bike and to check the machine for proper operation.

1. Sit on the bike and start pedaling, change the levels of resistance and check to make sure you feel a difference in difficulty.
2. As you are pedaling make sure you don't feel any wobble in your machine, if so you may need relocate the bike to a more level surface or adjust the dial on the side of the rear stabiliser.
3. As you pedal on your bike check that there are no unusual noises.
4. Finally check the monitor to make sure the digits are changing on each setting to record your workout correctly.

SPECIFICATIONS

| | |
|-----------------------------|---|
| Display | Displays: Time, speed, distance, calories, odometer and pulse |
| Flywheel | 7 KG |
| Crank | Strong 1 piece crank |
| Resistance | 12 levels of resistance |
| Seat | Adjustable seat height |
| Handlebars | With in built pulse sensor plates |
| Storage | Built-in wheels. |
| Maximum User Weight | 120 kg / 18.8 St |
| Occupying Area | 89 cm (Length) x 52.9 cm (Width) x 136.5 cm (Height) |
| Packaging Dimensions | 94.5 cm (Length) x 28 cm (Width) x 64 cm (Height) |
| Gross Weight | 33.5kg |
| Net Weight | 30.5kg |

3 OPERATION

Read all instructions, warnings and safety procedures located in the *Safety* chapter before using the bike.

HEART-RATE SENSORS

Hold the sensor plates on the handlebars ensuring that your hands are clean. A heart-rate reading will show on the display. Factors that interfere with pulse signal are:

- Hand lotions, oils or body powder.
- Excessive dirt.
- Excessive movement.

 NOTE: Heart-rate is calculated by BPM (beats per minute).

DATA READOUTS

As you exercise, the bike keeps track of the following data:

- **Time:** The total time you have been working out or time remaining. Display time as *hours: minutes*.
- **Speed:** Your current speed, displayed in kilometres per hour (km/h).
- **Distance:** The total accumulated distance, in kilometres during your workout.
- **Calories:** The total accumulated calories burned during your workout.
- **Heart-rate:** Your current heart-rate. Heart-rate will appear when a pulse signal is detected. Measured in BPM (Beats Per Minute).
- **Odometer:** The total accumulated distance, in kilometers since the bike has been first used.
- **Scan:** Automatically scans through each mode in sequence every six seconds.

MONITOR INSTRUCTIONS

SCAN MODE

When you first power on the monitor it will be set in a scan mode, displaying all your data every few seconds. There will be a scan graphic in the top left corner to indicate this, to exit scan mode press the mode button.

MAIN DISPLAY

Out of scan mode, continually press the mode button to change what function is displayed in the large display box.

TARGET PROGRAMS

With the JF500 monitor you are able to set a target time, distance, calories and pulse. Press the mode button until the function you want to set is showing, then press the set button continually to increase the digits. Once you've set your target, you can either set another by pressing the mode button to move onto the next setting or start pedalling to begin your workout.

RESETTING YOUR MONITOR

To reset the digits on your monitor press and hold the reset button, this will return everything to zero.

4 MAINTENANCE

Maintenance must be performed on a regular basis. Performing maintenance actions can aid in providing safe and trouble-free operation of all JLL® equipment.

JLL® are not responsible for performing regular inspection and maintenance actions for your machine. JLL® representatives are available to answer any questions that you may have on +44 (0)800 6123 988.

PREVENTIVE MAINTENANCE ACTIVITIES

Every JLL® bike that comes from the factory is already maintained, however, you just need to follow simple steps to keep it in fully working condition. Keeping the bike in a clean state will help to prolong its life. Perform regular preventive maintenance to ensure normal operation of the unit. Keep a log of all maintenance actions to assist in staying current with all preventive maintenance activities. JLL® is not responsible for performing regular inspection or maintenance.

Read all instructions and warnings listed both in this chapter and in the *Safety* chapter. During maintenance, disconnect the power cable. Contact JLL® Customer Service on +44 (0)800 6123 988 for any maintenance or service concerns.

Requirements:

- Water
- Dry cloth
- Vacuum

WARNING

1. Only use water to clean and dust. Do not use any cleaning product because they may damage the bike.
2. Be careful not to spill or get excessive moisture between the edge of the monitor, as this might create an electrical hazard or cause failure of the electronics.

WARNING

1. Use only JLL® replacement parts.
2. If you allow your machine to become rusty, this will affect your warranty.

Depending on where the bike is placed, you may experience dry air, causing a common experience of static electricity. You can notice that by walking across a carpet and then touching a metal object. On your bike you may experience a shock due to the build-up of static electricity on your body and the discharge path of the bike.

If you experience this type of situation, you may want to increase the humidity to a comfortable level through the use of a humidifier.

Check your machine regularly for rust. If rust starts to appear on the screws it means the item is not housed in the correct environment and will need to be moved to a more suitable room. Any rust will indicate there may be moisture in the air and as a result this could impact on the integrity and performance of your machine.

EXERCISE BIKE CLEANING

After every workout use a neat, dry cloth for cleaning the bike and the handlebars to prevent the machine of corrosion. Wipe away any sweat that may have dripped onto the monitor or handlebars. Avoid scratching the display by using a soft cloth.

Contaminants, such as hand lotions, oils or body powder, may come off on the sensor plates. These can reduce sensitivity and interfere with the pulse signal. It is recommended that the user has clean hands when making contact with the sensor plates. Clean the handles using a cloth dampened with water. Do not use abrasive or chemical cleaning agents.

Vacuum or sweep the floor underneath and around the bike to prevent any dust going into the machine. A treadmill mat can help to reduce dust.

⚠ WARNING: EQUIPMENT HAZARD

To avoid serious injury or death:

- Replace worn or damaged components immediately and do not use until repair is completed.

5 ADDITIONAL INFORMATION

CONTACT INFORMATION

In case any issues arise, please do not hesitate to contact our Customer Service team on +44 (0)800 6123 988 or email us at **CONTACT@JLLFITNESS.CO.UK**

You can also visit our support centre at **SUPPORT.JLLFITNESS.CO.UK** for maintenance and assembly articles & videos.

DISCLAIMER

- You should consult your physician, doctor or other health care professional before starting or taking part in any of our workout guides. It is your responsibility to evaluate your own health before taking part or performing any physical activity you may see associated with JLL Fitness Ltd.
- Always seek professional advice before changing your diet or starting any exercise program.
- JLL Fitness Ltd is not liable for any injuries or damages that may occur when assembling or using this exercise bike.
- By reading this you assume full responsibility for any injuries or changes to your physical well-being. You waive all rights and release JLL Fitness Ltd of blame from any injuries or damages to property that may occur whilst following our advice.
- This manual offers specific instructions on how to assemble and maintain your exercise bike. Failure to follow these directions may result in your warranty being void.

WWW.JLLFITNESS.COM

Follow us on Facebook and Twitter [@JLLFitness](#)

© JLL Fitness Ltd . All Rights Reserved.