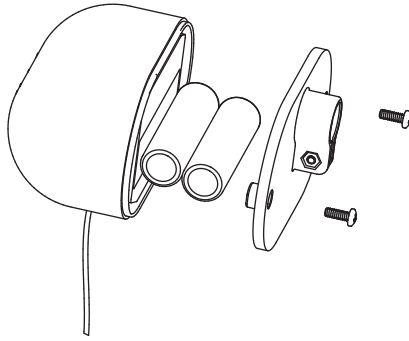


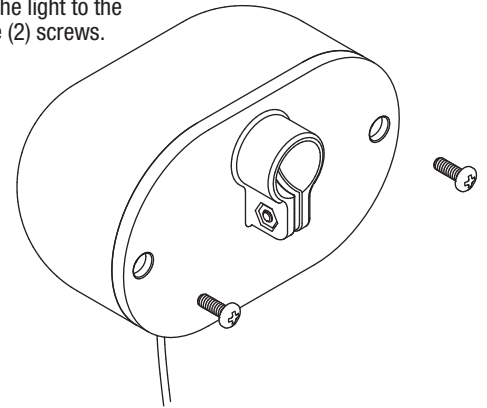
1 Remove light from package.

With a #2 Phillips screwdriver, remove the (2) screws fastening the back of the light to the light housing.

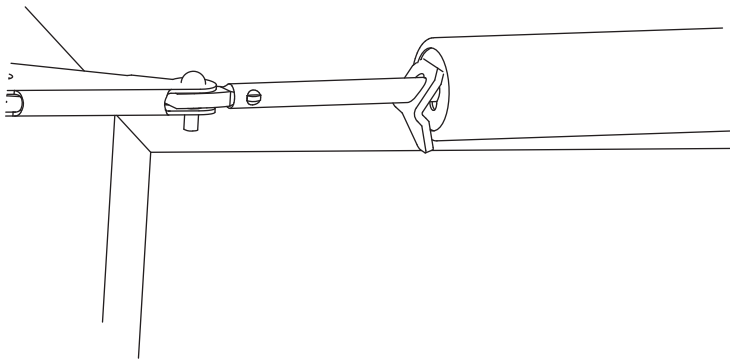
Insert (2) size AA batteries (not included) into the light as shown.



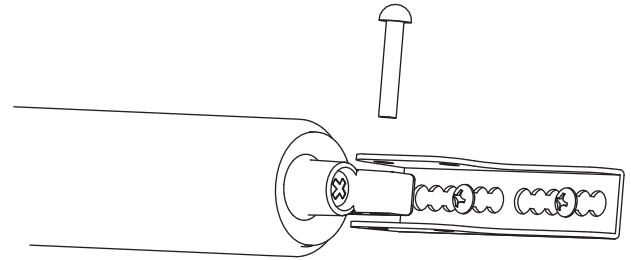
2 Re-attach the back of the light to the back housing using the (2) screws.



3 Open your storm door a few inches, and slide the hold open bracket to the hold open position.



4 Remove the pin that connects the closer to the door bracket.

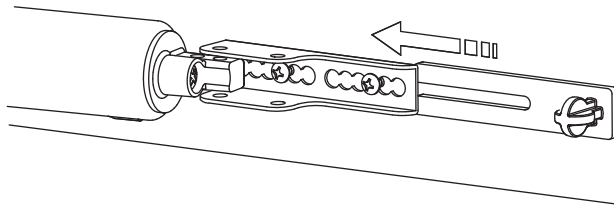


5 Make note of the location of the screws holding the door bracket to the door.

Loosen both screws that hold the door bracket to the door approximately 1/8" using a #2 phillips screwdriver.

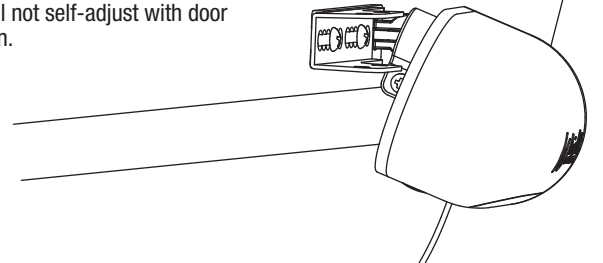
Slide mounting bracket under door bracket, making sure that both screws engage the slot.

Double check to ensure that the door bracket has not moved in relation to the two screws fastening it to the door, re-tighten the screws.



6 Connect LED light to bracket by firmly pressing the socket on the back of the light onto the ball on the bracket.

Make sure the LED light is pointing in the direction that requires additional light, and if necessary, carefully tighten the socket screw to ensure that the LED light will not self-adjust with door vibration.



6 Re-install the pin that connects the door bracket to the closer, open the door slightly further, and disengage the hold open bracket.

With the door closed, locate the position you wish to fasten the switch and switch activator. These should be spaced no more than 1/8" to 1/4" apart from one another (see graphic at right).

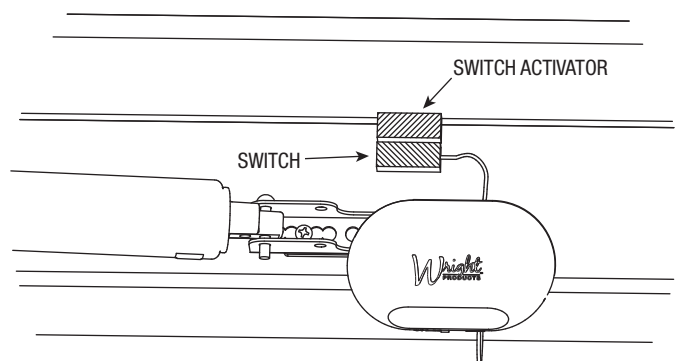
NOTE: Before installing the wired switch, clean the door surface with alcohol. The wired switch will be fastened to the door with supplied hook and loop fastener.

Before installing the unwired switch activator, clean the door frame surface with alcohol. The unwired switch activator will be fastened to the door frame in close proximity to the wired switch with the supplied hook and loop fasteners

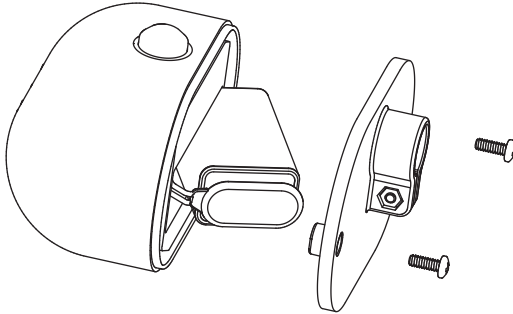
Now remove the plastic covering the adhesive portion of the hook and loop fasteners, and apply to both the switch and the switch activator, and then stick each piece to the location that you have previously tested.

Your installation is now complete.

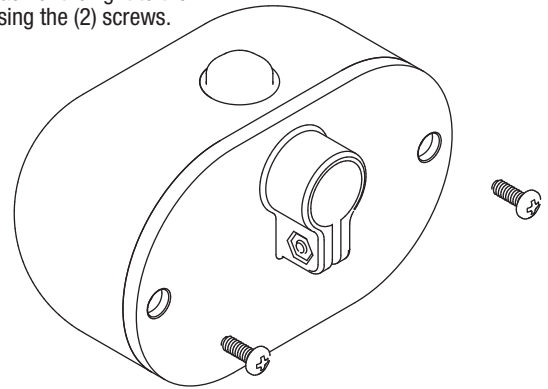
NOTE: The light will only activate during low light/no light hours, once the connection between the two activation switches is broken by the door being open.



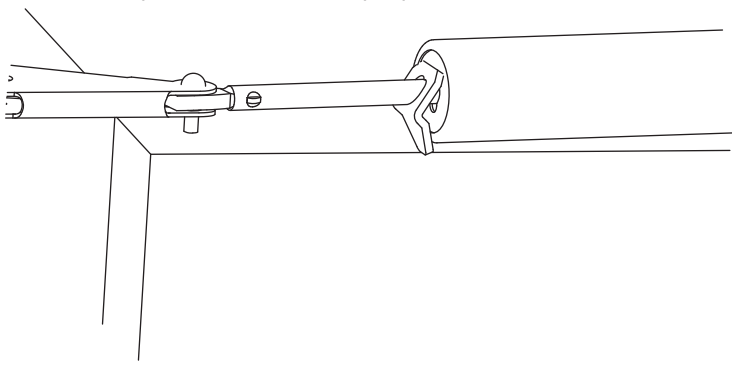
- 1** With a #2 phillips screwdriver, remove the (2) screws fastening the back of the light to the light housing.
Connect 9 volt battery (not included) to the light as shown, and insert into the light housing.



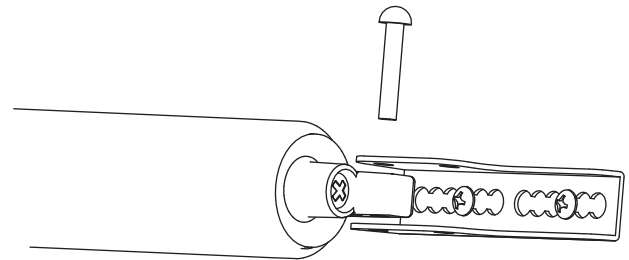
- 2** Re-attach the back of the light to the back housing using the (2) screws.



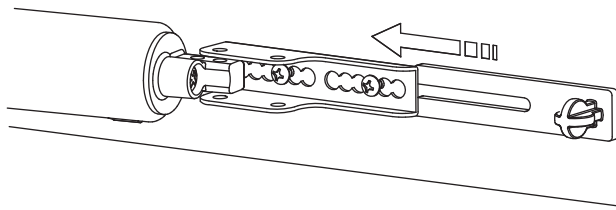
- 3** Open your storm door a few inches, and slide the hold open bracket to the hold open position.



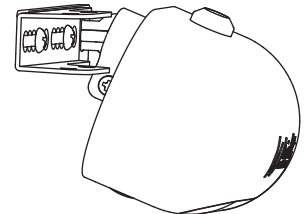
- 4** Remove the pin that connects the closer to the door bracket.



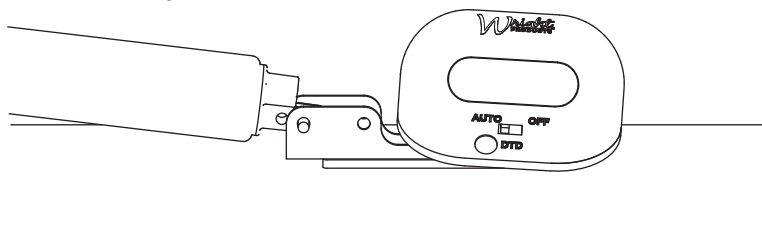
- 5** Make note of the location of the screws holding the door bracket to the door. Loosen both screws that hold the door bracket to the door approximately 1/8" using a #2 phillips screwdriver. Slide mounting bracket under door bracket, making sure that both screws engage the slot. Double check to ensure that the door bracket has not moved in relation to the two screws fastening it to the door, re-tighten the screws.



- 6** Connect LED light to bracket by firmly pressing the socket on the back of the light onto the ball on the bracket. Make sure the LED light is pointing in the direction that requires additional light, and if necessary, carefully tighten the socket screw to ensure that the LED light will not self-adjust with door vibration.



- 6** Re-install the pin that connects the door bracket to the closer, open the door slightly further, and disengage the hold open bracket. Switch the LED light to the auto position to activate the light. Your installation is now complete.



NOTE: The light will only activate during low light/no light hours, once the door is opened.