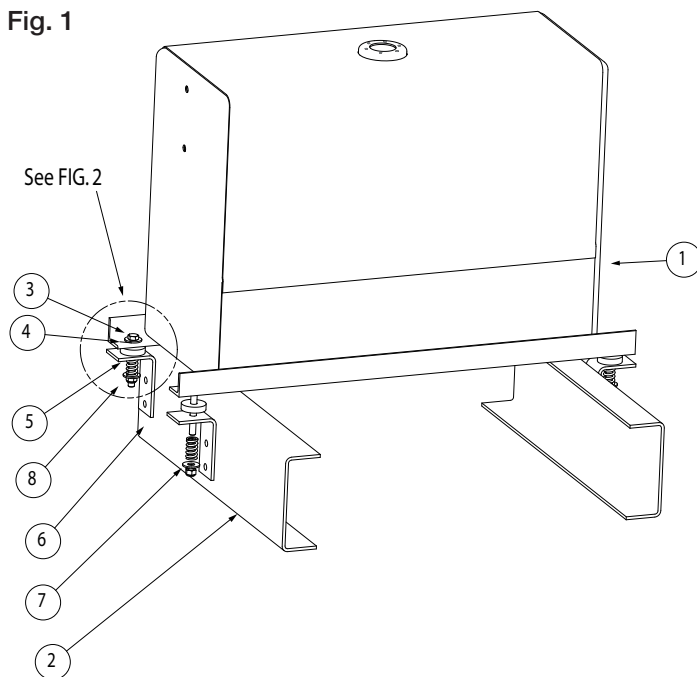


Installation Instructions

UR35A, UR50S, UR50A, UR70S, Hydraulics Tanks

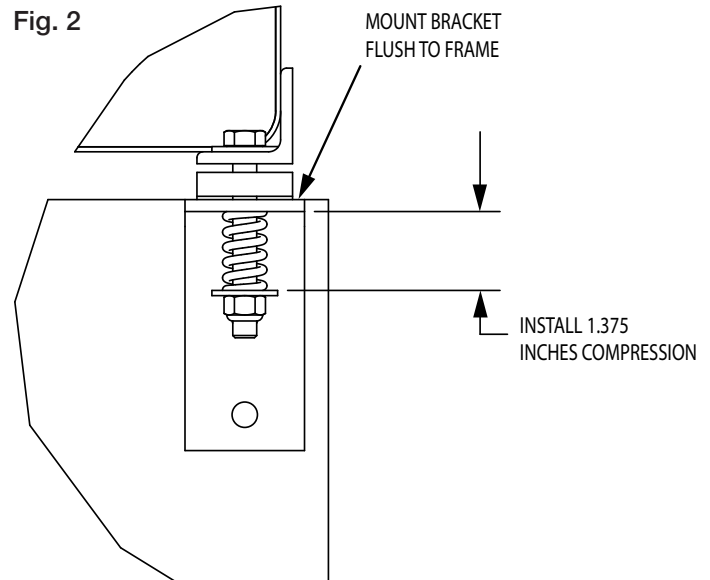
1. Place the reservoir base on the frame rails of the truck chassis at a convenient location.
2. Place the **mounting angles** (6) at a location where double holes will face the frame of the truck and the single hole will face the reservoir's legs.
3. Using the pre-drilled Mounting angles as a template, mark and drill all the holes necessary for this tank with $\text{Ø}.531"$.

Fig. 1



4. Secure the Mounting angles (6) onto the frame using eight 1/2-13 bolts and nuts (not provided with kit).
5. Secure the **Mounting angles** (6) onto the reservoir with four 1/2-13 x 4.0" **bolts** (3), eight **flat washers** (4), four **rubber disc** (5), four **compression springs** (7), and four **locknuts** (8).
6. Tighten the four **locknuts** (8) to a specific measurement of 1.375" between the angles and the top part of the washers as shown.

Fig. 2



Bills of Material

ITEM	PART NO.	QTY.	DESCRIPTION
1	UR RESERVOIR	1	Weldment, UR Hydraulic Tank
2	-	4	Truck-Frame
3	FCS050013400Z	4	Screw, Hex Head Cap 1/2-13 x 4.00 Gr. 5 ZN
4	FWF050138014	8	Washer, Flat, .500 x 1.38 x .14, ZN
5	UR50MKRD	4	Disc, Runner for Mt Kit UR50MK
6	3010926	4	Angle, 3 x 5 x 2.5L x .25 Thick, Bracket Frame
7	UR50MKS	4	Spring, Compression, for UR50MK
8	FNE050013053	4	Nut, Nylock 1/2-13 ZN

Warranty

Buyers Products Co. warrants all truck/trailer hardware manufactured or distributed by it, to be free from defects in material and workmanship for a period of one year from date of shipment. Parts must be properly installed and used under normal conditions. Any product which has been altered, including modification, misuse, accident or lack of maintenance will not be considered under warranty. Normal wear is excluded. The sole responsibility of Buyers Products Co. under this warranty is limited to repairing or replacing any part or parts which are returned, prepaid, and are found to be defective by Buyers Products Co. Authorization from Buyers Products Co. must be obtained before returning any part. No charges for transportation or labor performed on Buyers' products will be allowed under this warranty.