



# The Max.

## Assembly Guide

Questions On Assembly?

Call or Text Us Now: (412) 423-6090

Email: [Contact@RecoverRed.com](mailto:Contact@RecoverRed.com)

 **RECOVERRED**



# ATTENTION: 2000 WATTS REQUIRED.

The Max requires 2000 Watts which is more than the standard 15 amp outlet can provide.

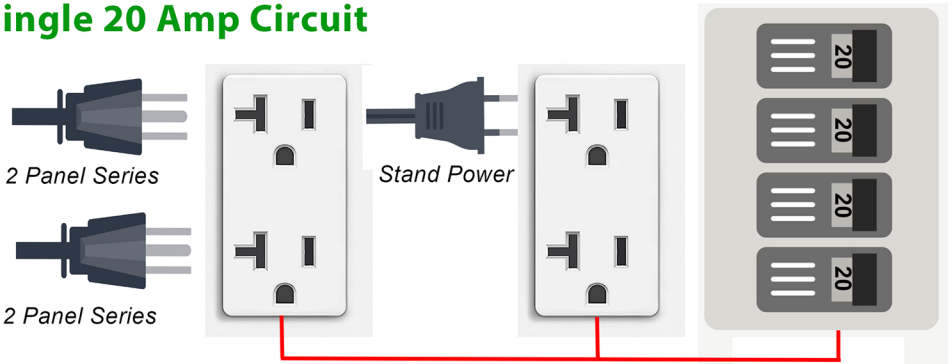
You can plug both sets of lights into one 20 amp receptacle or plug each set of two lights in two different 15 amp circuits.

Please note you need 3 outlet slots. 1 for each set of 2 light panels and 1 for the power stand.

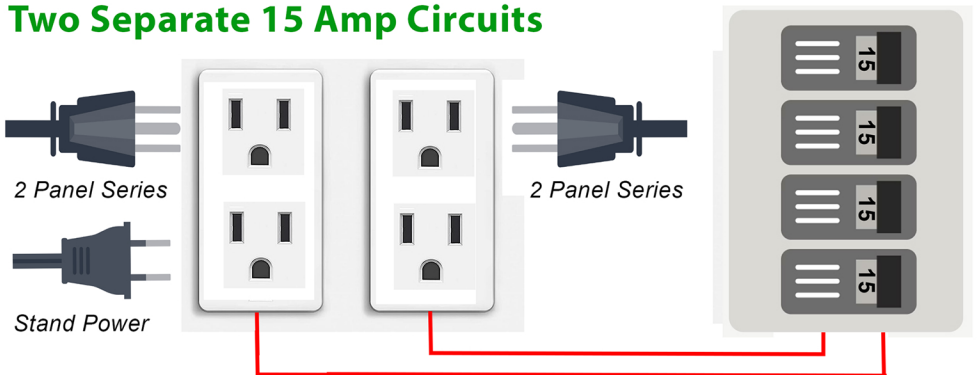
*Pro Tip:*

*If having 20 amp circuit installed have 2 double outlets installed so you have all three that you need.*

## Single 20 Amp Circuit



## Two Separate 15 Amp Circuits




## **Warning**

**This device may cause personal injury if not adjusted or used as required by this manual. Both the operators and the technicians who use this device must be familiar with the safety requirements. The patient should also have knowledge of the basic principles. The patient should wear the protective glasses and know the precautions.**


## **Max Device Introduction**


The Max LED Red Light Therapy device is a LED light therapy device, which is suitable for skin and inflammation treatments and more. The Max is manufactured in our FDA registered facility. The Max has passed all ETL / UL Certifications for Electrical Safety Assurance. Please read these instructions carefully, and the related operators should have professional training for light therapy devices. Our LED devices are official FDA Class II medical devices. Our products are low-risk, general wellness / fitness products in accordance with the "General Wellness: Policy on Low Risk Devices" draft released January 20, 2015.

## **General Safety Rules**

 Read all instructions. Failure to follow all instructions may result in skin irritation, burns, eye damage, and/or serious injury. The term "device" in the warnings listed refers to your-operated Max Red Light Therapy Device. **SAVE ALL WARNINGS AND INSTRUCTIONS FOR FUTURE REFERENCE**

 **The safety of the patient lies on the operators, technicians and the facility this device is used at. The patient should also have knowledge of the basic principles. The patient should wear the protective glasses and know the precautions.**

 **Do not operate device closer than 6", carefully monitor skin temperature. Maximum Permissible Exposure (M.P.E.) can be considered as dangerous if the operator is too close to the light source.**


 **Do not stare into the Light. Staring into this device may cause burns to the eye. Some temporary color distortion can occur if eye protection is not worn.**


 **Remove reflectors such as jewelry, watches, beauty devices or mirrors.**


 **Clean the skin with soap and water, treatment should begin only when the skin is dry after cleansing.**

 **Avoid any flammable items close to the device.**

 **The Remote contains a battery. Follow all battery safety precautions. Keep batteries out of reach of children.**

 **Do not subject the device to extreme temperatures or variations in temperature. Protect the device against moisture and direct sunlight. Device is to be used in a climate controlled environment.**

 **Avoid Impacts or dropping of the device. Be sure when setting the device up it is not at risk to tip over. Be sure to Setup device on flat, level floor.**

 **Device cords are only designed for device use. Do not us power cords with any other device.**

**Note:** *There are no user serviceable parts inside. Disassembling the device will void all warranties on the product. Do not modify the device in any way. Modifying the device may result in hazardous condition.*

## Disclaimer

**By using this device you are agreeing to our terms of service.**

A) WE ARE NOT A MEDICAL SERVICE PROVIDER, AND WE DO NOT PROVIDE ANY MEDICAL TREATMENT. We merely sell Red Light therapy devices through our website that are adjustable to any prescribed treatment level. If you require medical attention or professional advice, we would suggest you to seek such medical aid, or contact the relevant professional for the same. You must consult your physician before purchasing or using any of our products.

B) Our products are not intended to, nor do we make any claim or warranty that any of our products will diagnose, cure, or prevent any specific medical condition or disease, or will work to your expectation, or provide you any particular results. Neither any of our products, nor anything mentioned on our website shall be deemed as a substitute for professional medical advice

Limitation of Liability: To the maximum extent permitted by law, in no event shall our Company (or our directors, partners, licensors or affiliates) be liable to you or any third party for any damage, costs of procurement of substitute products, cost of medical opinions or tests or treatments or expenditures, adverse effects, illness, loss of health, medical issue, or any indirect, consequential, exemplary, incidental, special or punitive damages arising from or relating to the purchase or use of any of our products, even if our Company has been advised of the possibility of such damages. We strongly advise you to consult a registered medical practitioner before using our products. Access to, and use of, the products is at your own discretion and risk, and you will be solely responsible for any damage or loss, whatsoever.

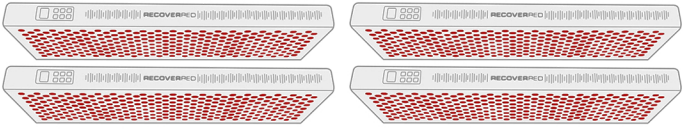
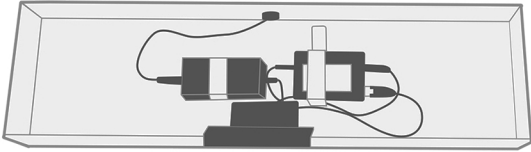

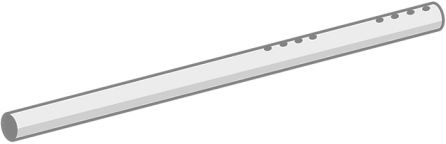
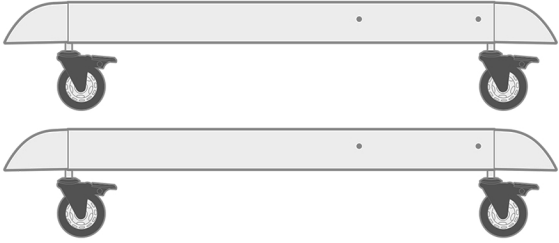
*You can read more at <https://recovered.com/policies/terms-of-service>*

## Regular Maintenance

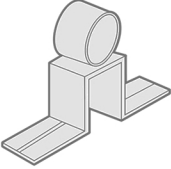
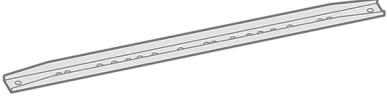

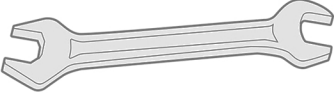
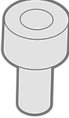
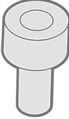
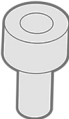


To ensure your device is working as best as possible we recommend inspecting the device every month.

- Check to make sure Fans are clean and not obstructed
- Check power cords and electrical connections for damage or corrosion
- Clean surface of LED lens with damp cloth or basic cleaner.

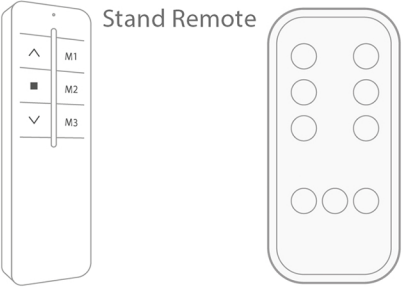
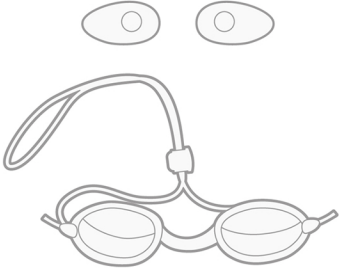
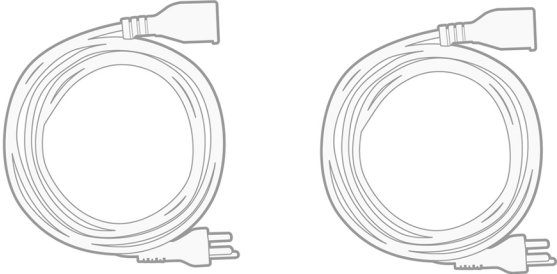
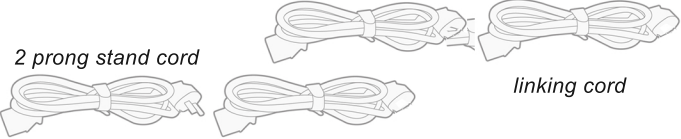
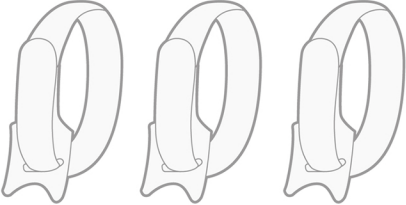
# Parts List

<p>4x Light Panel</p>	 <p>X4</p>
<p>Main Base</p>	 <p>X1</p>
<p>Vertical Lifting Neck</p>	 <p>X1</p>
<p>Light Panel Arm</p>	 <p>X1</p>
<p>Leg-Wheel Set L-R</p>	 <p>X2</p>

## Parts List Continued

<p style="text-align: center;">Light Brackets</p>	<p>x2  x4</p>
<p style="text-align: center;">Bracket Extender</p>	 x4
<p style="text-align: center;">Tool Set</p>	 x1
<p style="text-align: center;">Wheel Wrench</p>	 x1
<p style="text-align: center;">Bracket Extender Bolts</p>	<p><i>Same As Below</i>  x40</p>
<p style="text-align: center;">Stand Leg Bolts</p>	<p><i>Same As Above</i>  x4</p>
<p style="text-align: center;">Light Bracket Bolts</p>	<p><i>Same As Above</i>  x8</p>
<p style="text-align: center;">Neck To Arm Knobs</p>	 x2
<p style="text-align: center;">Bracket To Neck Bolts</p>	 x10

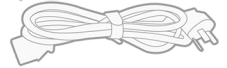
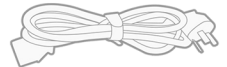
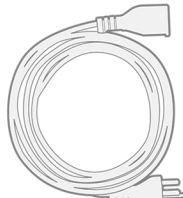
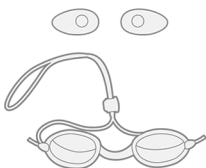
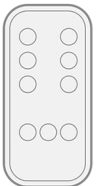
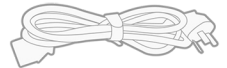
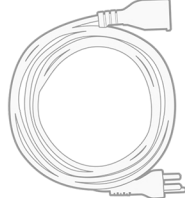
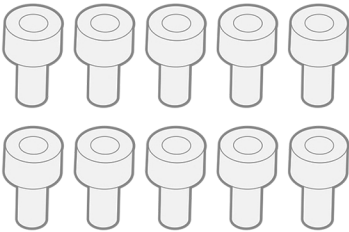
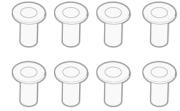
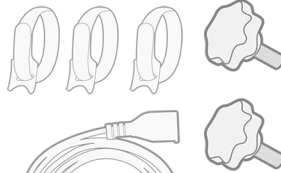
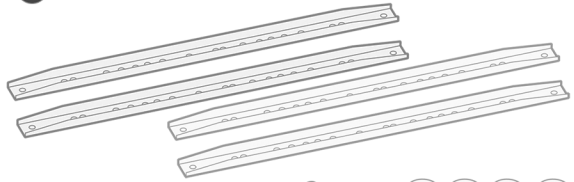
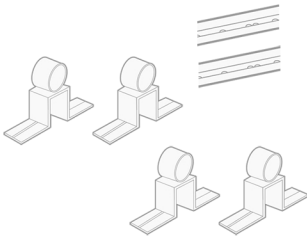
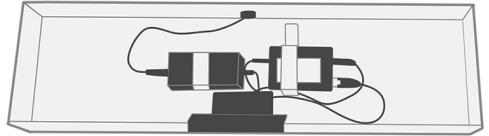
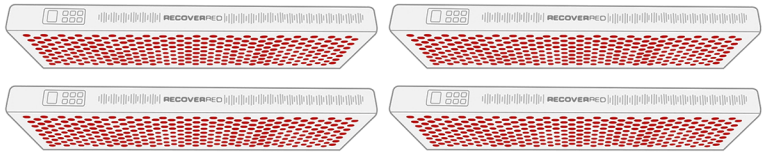
# Parts List Continued

<p><b>Stand Remote</b></p> <p><b>Light Remote</b></p>	 <p>Stand Remote</p> <p>Light Remote</p>
<p><b>Single Eye Protection</b></p> <p><b>Dual Eye Protection</b></p>	
<p><b>(Optional) Extension Cords</b></p>	
<p><b>Stand Cord/ Link Cords</b></p>	 <p><i>2 prong stand cord</i></p> <p><i>linking cord</i></p>
<p><b>Cord Manage Straps</b></p>	

# Install Instructions

## STEP 1

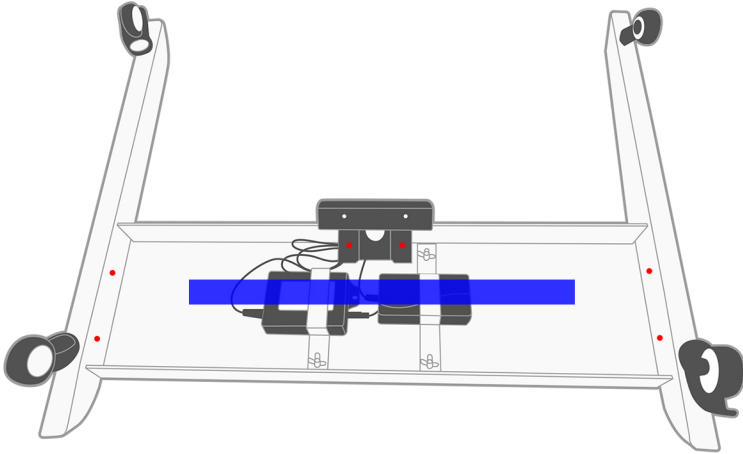
Unpackage everything and locate the hardware.





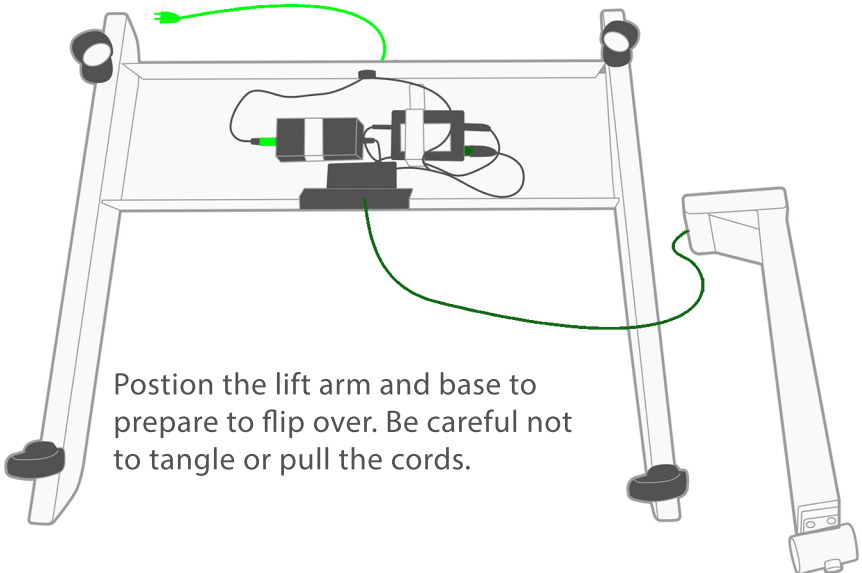
**STEP 2**

Remove the blue package tape and install the control panel using the pre-installed red thumb screws. Next install the wheel legs using 2 bolts each. The right leg is labeled "right".



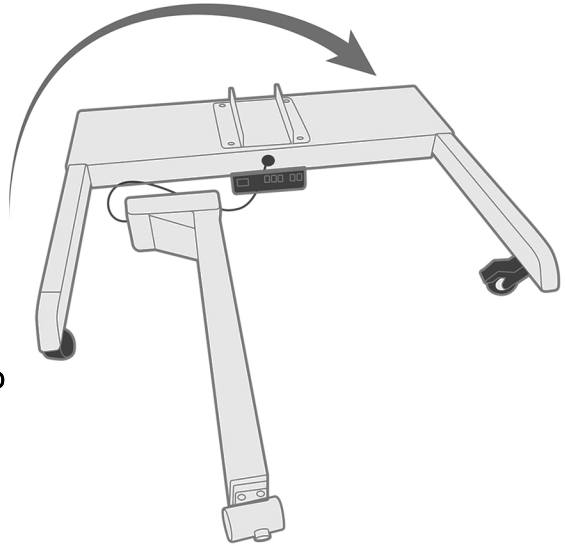
**STEP 3**

Plug in the lift neck into the control panel from the front of the stand. Install the wall plug and route out the back.



#### STEP 4

Carefully flip the main base clockwise onto its wheels. Now is a good time to double check that the wheels are locked. This illustration shows how it should be flipped. Be careful not to put tension on the cords when flipping the main base.

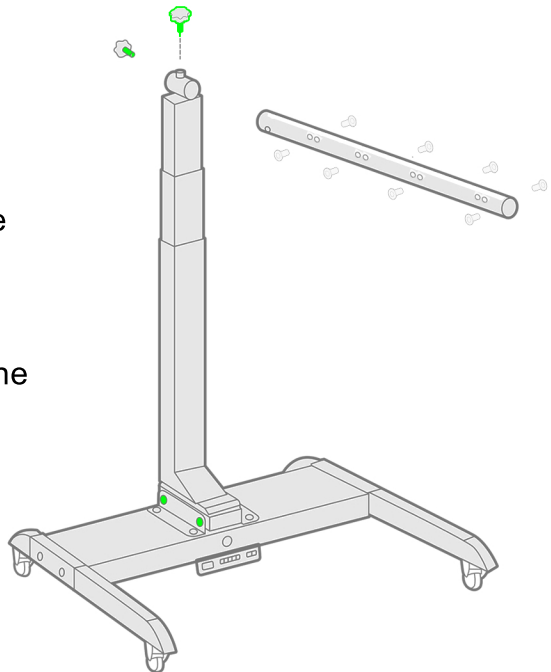


**\*\* Pro tip this part is best performed with a helper.**

#### STEP 5

Use 4 bolts to screw the lifting arm to the base.

Use two hand knobs to attach the light arm to the neck.



## STEP 6

Make 2 sets of light panels by connecting with light bracket pieces. Prepare to slide each set onto the stand arm.

## STEP 7

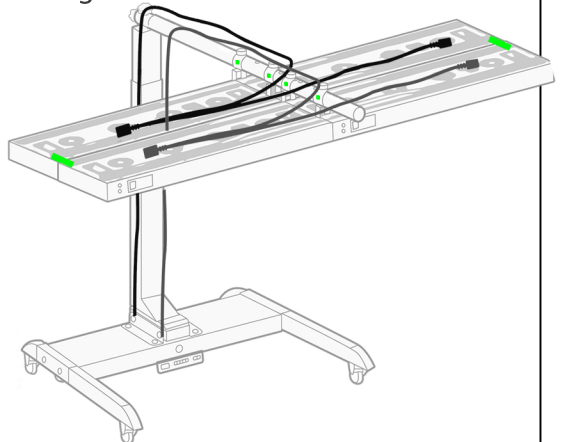
Slide the first set of lights on to the arm. Be sure the on board control panels are facing towards the stand. With 4x light bracket to arm bolts attach the 2 light brackets to the very back holes of the arm.

Next slide the second set of lights on to the arm until the 4 panels are touching. With 4x light bracket to arm bolts attach the remaining 2 light brackets. Be sure the on board control panels are facing away from the stand.

Connect the two sets of lights using the small brackets.

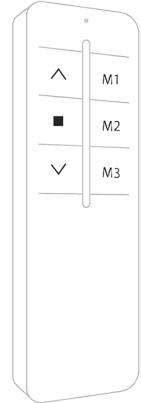
Using the link cord, connect the rear two panels together, then connect that set to the outlet. Repeat this process for the front two lights.

Attach the cords to the light arm and allow to hang freely off the back of the stand.



# Operating The Stand Remote Control

- Manually Raise Height. Press once to being, press again to stop.
- Manually stop any motion.
- Manually Lower Height. Press once to being, press again to stop.
- M1 Set to specific height. (Usually set to fully elevated)
- M2 Set to specific height. (Usually set to 12"-16" above user body)
- M3 Set to specific height. (Usually set to 6"-12" above user body)



## How to preset the height: (only can set on the Control Panel)

- a) Press and hold   button to the height, such as 100cm
- b) Press  button for 1 second to set
- c) Press Digital  button
- d) The 100cm height is memorized by Digital  button

## Troubleshooting:

### Re-Pairing Remote. The Remote And Stand Are Paired As You Receive It.

If the remote is not working please use the following steps to ensure the remote is paired with the stand. Additionally please check battery quality and orientation.

### rES Error: If Your Stand Screen Displays "rES" Simply Reset The Device.

Press and hold the  button on the stand mounted control panel. The screen will display "rES", then 78.0. The reset is complete.

*\*\* reset cannot be done by remote, please use the on board control panel.*

### Hot Error: If Your Stand Screen Displays "HOT"

If the stand motor is in continued operation for over 2 minutes or the motor becomes too hot from use, the control panel will display "HOT" please let it cool down for 20 minutes. If you urgently need to move the position please unplug device and plug it back in.

### Rebound Function Under Resistance.

If the device is blocked for any reason it will stop under resistance and back away 1".