



# The Core.

## Mobile Stand Assembly Guide.

Questions On Assembly?


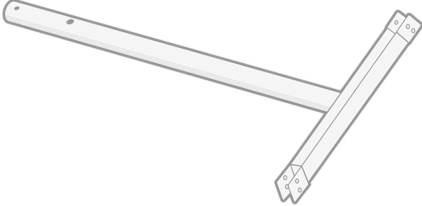



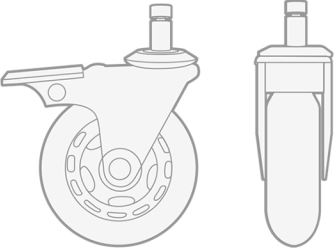
Text Us Now: (412) 423-6090

Email: [Support@Recover.Red](mailto:Support@Recover.Red)

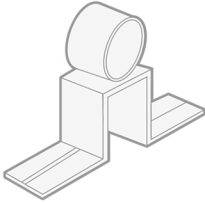

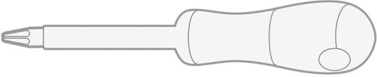
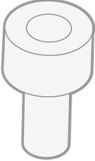
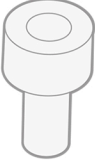



 **RECOVERRED**



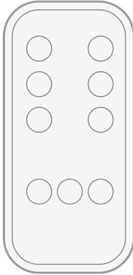
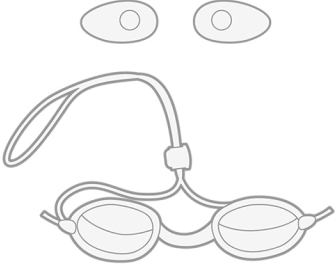
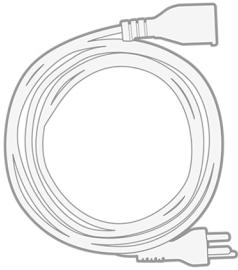
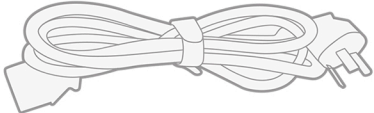

## Part List

1 x LED Unit	
Main Base	 <b>x1</b>
Vertical Neck	 <b>x1</b>
Light Arm	 <b>x1</b>
Legs	 <b>x2</b>
Wheels	 <b>x4</b>

**Part List**

Light Bracket	 A 3D line drawing of a light bracket. It consists of a central vertical rectangular block with a circular ring on top. Two horizontal rectangular flanges extend from the sides of the central block, one pointing left and one pointing right.	<b>x2</b>
Allen head	 A 3D line drawing of an Allen key. It has a hexagonal head and a long, thin shaft.	<b>x1</b>
Screw Driver	 A 3D line drawing of a screwdriver. It has a long, thin metal shaft with a flat tip and a handle with a circular grip.	
Bracket to light screws	 A 3D line drawing of a screw. It has a wide, flat circular head with a central hole and a long, thin shaft.	<b>x4</b>
Legs to base screw	 A 3D line drawing of a screw. It has a wide, flat circular head with a central hole and a long, thin shaft.	<b>x8</b>
Long Knob	 A 3D line drawing of a knob. It has a large, irregular, textured head and a short, thick shaft.	<b>x1</b>
Neck to arm knobs	 A 3D line drawing of a knob. It has a large, irregular, textured head and a short, thick shaft.	<b>x2</b>
Light bracket to arm knobs	 A 3D line drawing of a knob. It has a large, irregular, textured head and a short, thick shaft.	<b>x2</b>

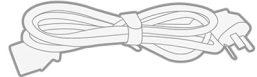
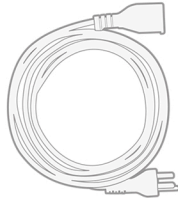
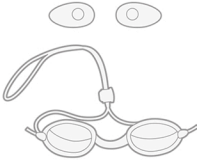
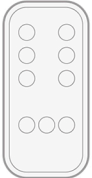
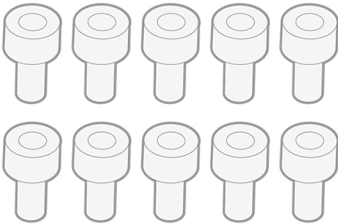
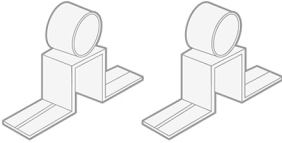
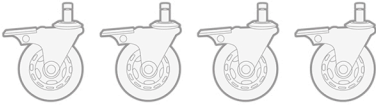
**Part List**

<p>Remote</p>	 A simple line drawing of a rectangular remote control with rounded corners. It features two columns of four circular buttons each, and a row of three circular buttons at the bottom.
<p>Eye protection</p>	 A line drawing of eye protection consisting of two oval lenses, a bridge, and a strap with a buckle. Above the main drawing are two separate oval shapes representing the lenses.
<p>Extension cord</p>	 A line drawing of a coiled extension cord. One end has a standard three-prong electrical plug, and the other end has a different type of connector.
<p>Standard Power cord</p>	 A line drawing of a standard power cord, coiled. It features a three-prong electrical plug on one end and a different connector on the other.
<p>Velcro straps</p>	 A line drawing of a single Velcro strap with a buckle and a loop at one end.

# INSTALL INSTRUCTIONS

## STEP 1

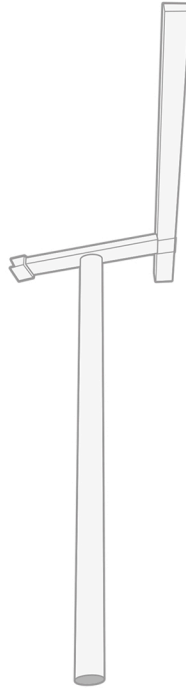
Unpackage everything and locate the hardware.



## STEP 2

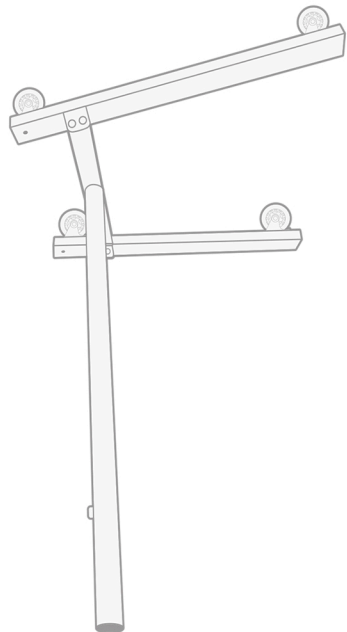
Install one of the legs in this position. Be sure the legs are pointing out and the bolt hole for the neck is in the back. Note the bolt hole on the base is not visible from this position. That's how you know your orientation is right.

*Use 4 bolts for each leg.  
2 on the top 2 on the bottom.*



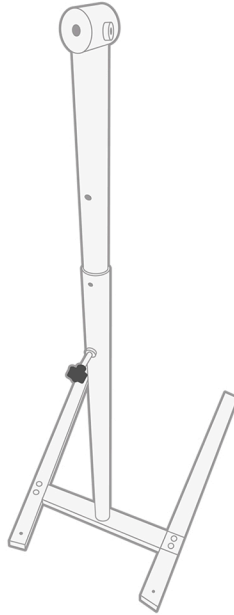
## STEP 3

Rotate the stand and install the other leg. Install the wheels by pushing into legs.



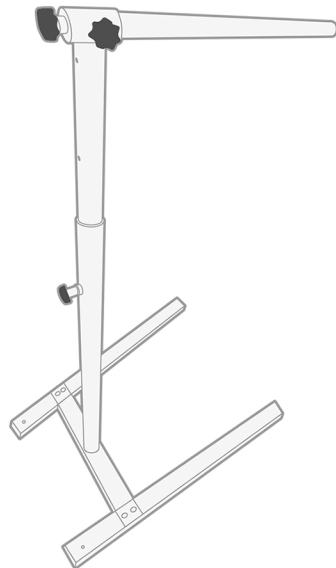
**STEP 4**

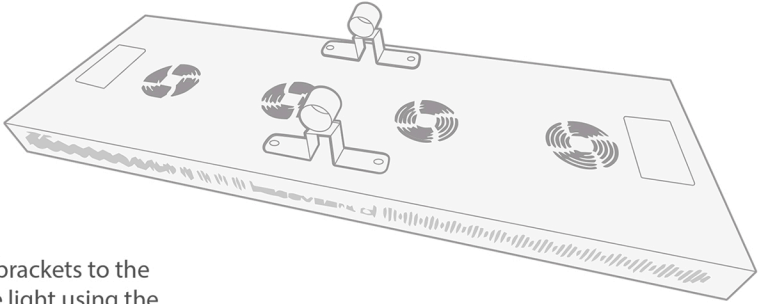
Set Stand upright and lock all wheels. Install the neck with the longest thumb knob, then install the arm.



**STEP 5**

install the arm into the neck using the 2 knob bolts.





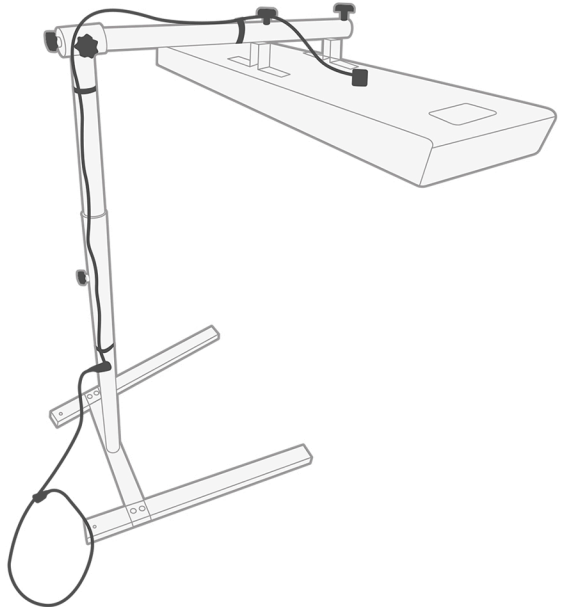
## STEP 6

install the brackets to the back of the light using the round Allen head bolts.

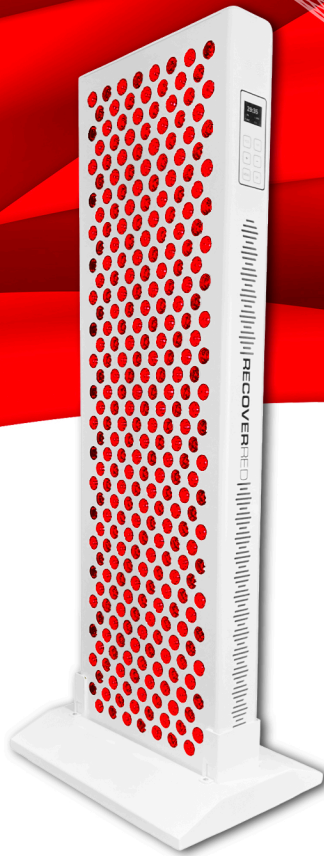
## STEP 7

insert the bracket loops onto the arm, install in first or second hole with knobs. Install & Secure the cord using the Velcro straps.

“pro tip: it’s best to have someone hold the stand steady during this step.







# The Core.

## Floor Stand Assembly Guide.

Questions On Assembly?




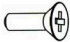

Text Us Now: (412) 423-6090

Email: [Support@Recover.Red](mailto:Support@Recover.Red)

 **RECOVERRED**



**Parts List**

Floor Base	 x1
Brackets	 x2
Bottom Screw	 Ax4
Top Screw	 Bx4
Screw Driver	 x1

**INSTALL INSTRUCTIONS**

