

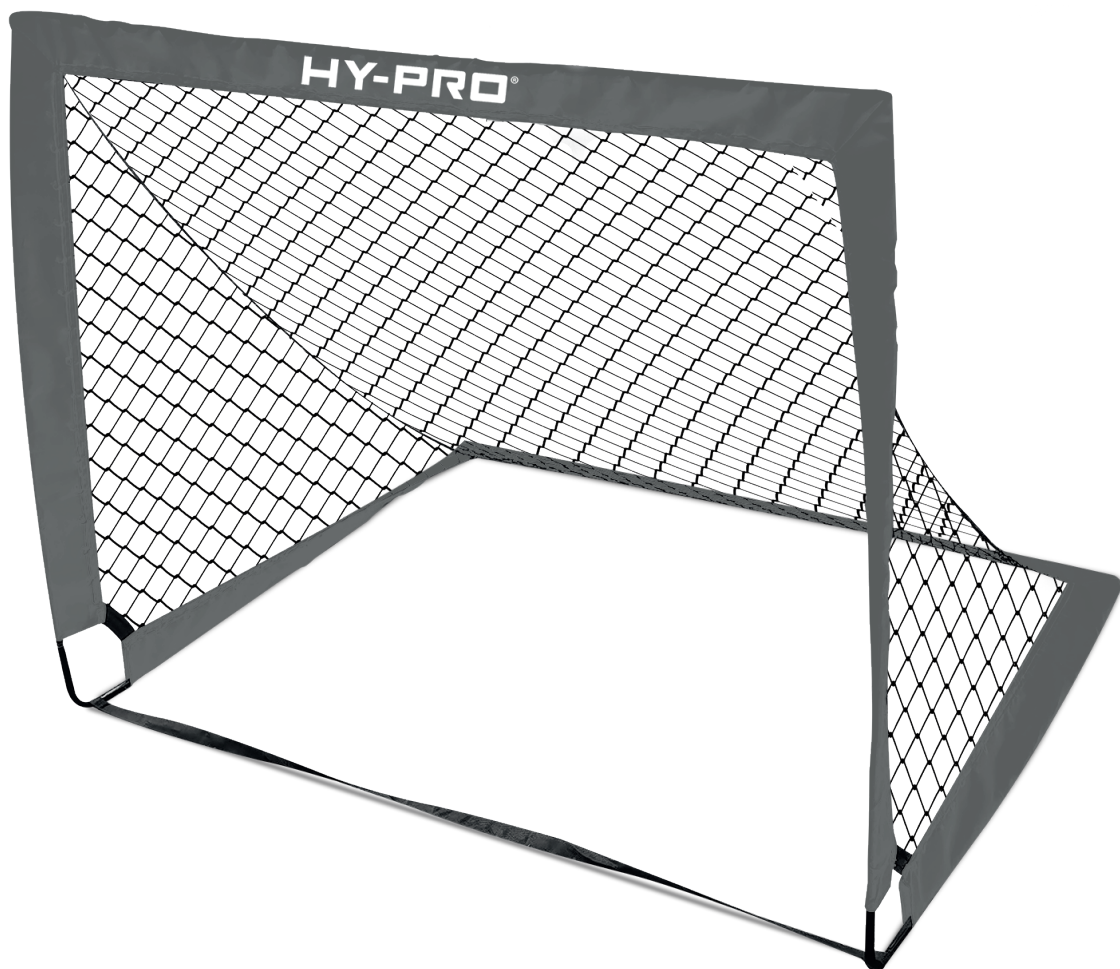
HY-PRO®

3+

4FT X 3FT FLEXI GOAL

Assembly Instructions

HP08461



Warning: Not suitable for children under 3 years due to long cord - CHOKING HAZARD


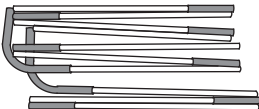
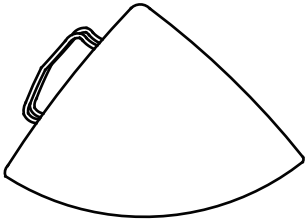
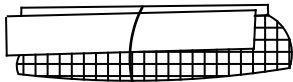

- Caution! Adult assembly required.
- Sharp point on screws; unpack and assemble with care. Keep small parts and polybags away from children during and after assembly. You need a wrench and screwdriver (not included) to assemble).

IMPORTANT!

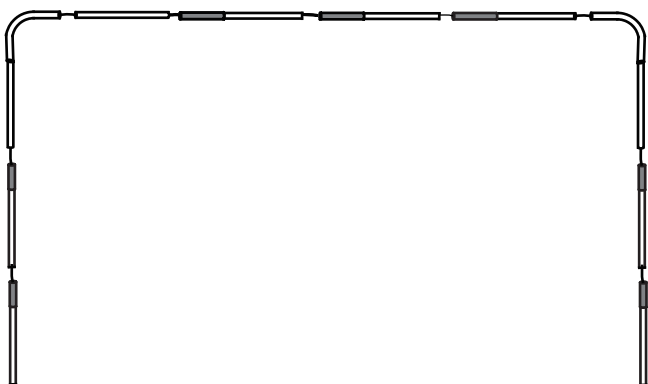
Please keep your instructions. Before attempting assembly, please read through this instruction book to familiarise yourself with all the parts and assembly steps. Please refer to the Parts List and be sure that all parts have been included. If you have a problem with this product, we want to help.

Please email us on info@hy-pro.co.uk

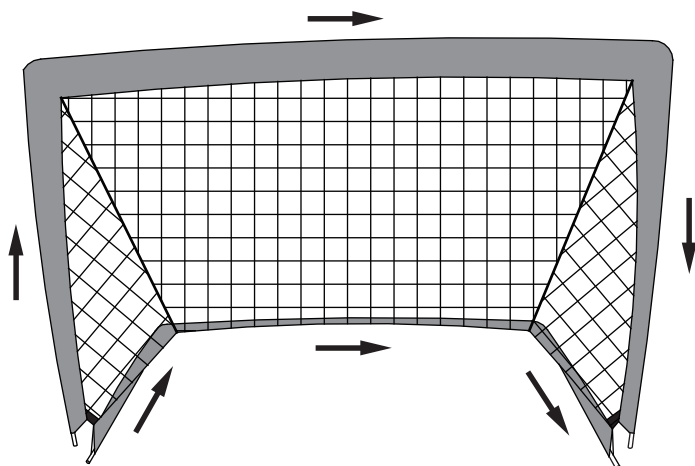
PARTS LIST:

 <p>x1</p>	 <p>x2</p>	 <p>x1</p>	 <p>x1</p>	 <p>x4</p>
---	---	---	---	---

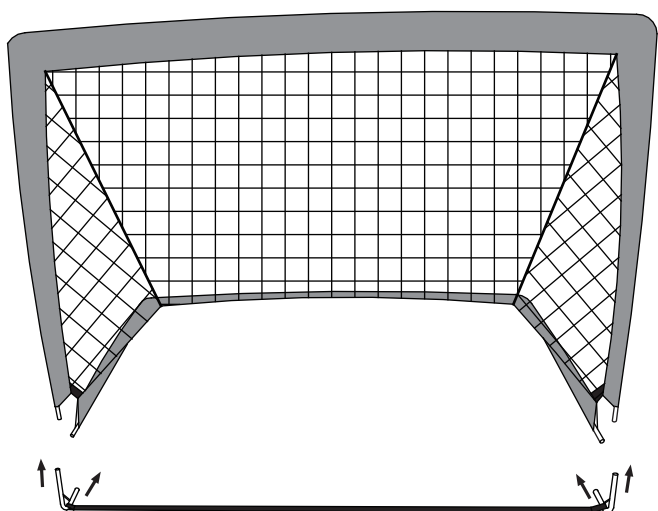
1:



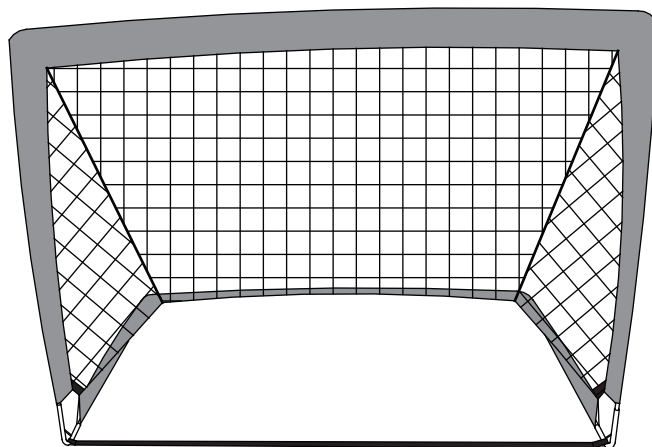
2:



3:



4:



©Hy-Pro Sports

Manufactured by
Hy-Pro International
Hy-Pro House, Centrus Park, Arenson Way,
Dunstable, Bedfordshire, LU5 5BN, UK

Hy-Pro Europe
Cube Building, Monahan Road, Cork,
T12H1XY Republic Of Ireland.

Hy-Pro Asia
Room 1011, 10/F, Peninsula Centre,
67 Mody Road, Kowloon, Hong Kong.

Made in China