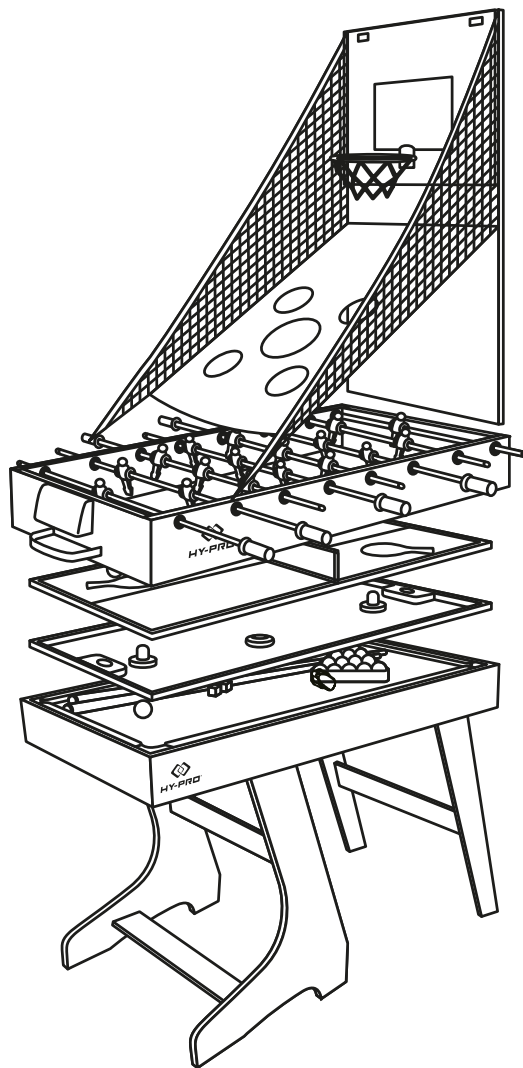


HY-PRO®

8 IN 1 FOLDING MULTI GAMES TABLE

Assembly Instructions

Item No:HP05850



Warning: Warning: Not suitable for children under 3 years due to small parts, small balls and long cord
- Choking and entanglement / strangulation hazard.

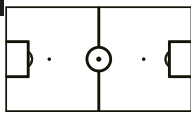
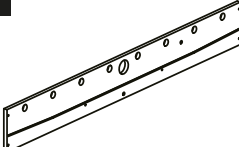
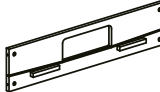
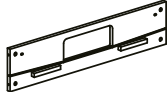

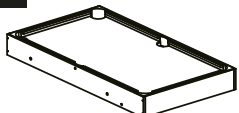
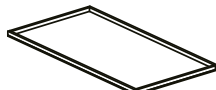
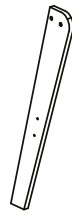
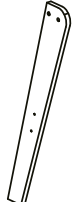
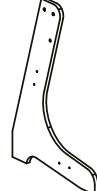


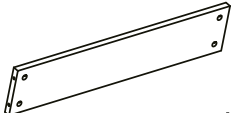
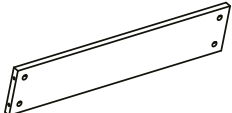
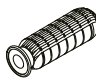









- Caution! Adult assembly required.
- Sharp point on screws; unpack and assemble with care. Keep small parts and polybags away from children during and after assembly. You need a wrench and screwdriver (not included) to assemble.

IMPORTANT!

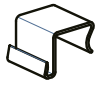
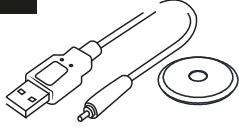



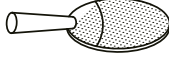

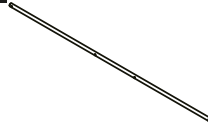
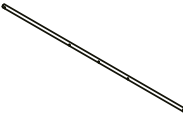
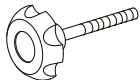








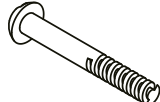
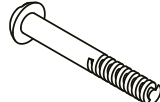


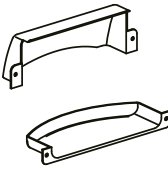
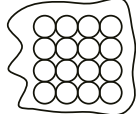
Please keep your instructions. Before attempting assembly, please read through this instruction book to familiarise yourself with all the parts and assembly steps. Please refer to the Parts List below and be sure that all parts have been included. If you have a problem with this product, we want to help.

For immediate assistance, please phone: +44 (0) 800 731 0006.





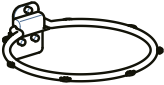

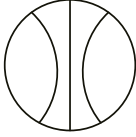
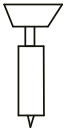
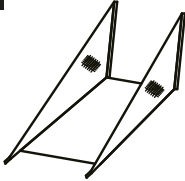
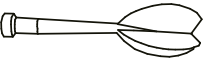

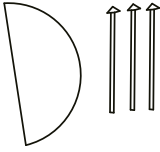


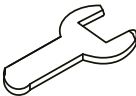
PARTS LIST:

<p>1</p>  <p>x1</p> <p>Playfield</p>	<p>2</p>  <p>x2</p> <p>Side Panel</p>	<p>3</p>  <p>x1</p> <p>Goal End Panel</p>	<p>4</p>  <p>x1</p> <p>Goal End Panel</p>
<p>5</p>  <p>x2</p> <p>Field support brace</p>	<p>6</p>  <p>x1</p> <p>Pool table</p>	<p>7</p>  <p>x1</p> <p>Table tennis/ Hockey board</p>	<p>8</p>  <p>x1</p> <p>Leg 1</p>
<p>9</p>  <p>x1</p> <p>Leg 2</p>	<p>10</p>  <p>x1</p> <p>Leg 3</p>	<p>11</p>  <p>x1</p> <p>Leg 4</p>	<p>12</p>  <p>x1</p> <p>Basketball Board</p>
<p>13</p>  <p>x2</p> <p>Leg End Panels</p>	<p>14</p>  <p>x1</p> <p>Leg End Panel</p>	<p>15</p>  <p>x8</p> <p>Rod handle</p>	<p>16</p>  <p>x8</p> <p>Rubber end cap</p>
<p>17</p>  <p>x9</p> <p>Blue player</p>	<p>18</p>  <p>x9</p> <p>White player</p>	<p>19</p>  <p>x16</p> <p>Bumper</p>	<p>20</p>  <p>x16</p> <p>Plastic Washer</p>
<p>21</p>  <p>x4</p> <p>Rod Stopper</p>	<p>22</p>  <p>x1</p> <p>table bracket-1</p>	<p>23</p>  <p>x1</p> <p>table bracket-2</p>	<p>24</p>  <p>x2</p> <p>Net Anchor</p>

PARTS LIST:

<p>25</p>  <p>x2</p>	<p>26</p>  <p>x1</p>	<p>27</p>  <p>x2</p>	<p>28</p> 
<p>Board Bracket</p>	<p>Power puck with USB Cable</p>	<p>Pusher</p>	<p>Puck</p>
<p>29</p>  <p>x1</p>	<p>30</p>  <p>x2</p>	<p>31</p>  <p>x2</p>	<p>32</p>  <p>x2</p>
<p>Table Tennis Net With Post</p>	<p>Table Tennis Bat</p>	<p>Table Tennis Ball</p>	<p>2-Man Playing Rod</p>
<p>33</p>  <p>x6</p>	<p>34</p>  <p>x4</p>	<p>35</p>  <p>x4</p>	<p>36</p> 
<p>1&3-Man Playing Rod</p>	<p>40mm Bolt</p>	<p>41mm Bolt</p>	
<p>37</p>  <p>x12</p>	<p>38</p>  <p>x12</p>	<p>39</p>  <p>x12</p>	<p>40</p>  <p>x4</p>
<p>6mm Washer</p>	<p>45mm Screw</p>	<p>41mm Screw</p>	<p>14mm Screw</p>
<p>41</p>  <p>x8</p>	<p>42</p>  <p>x3</p>	<p>43</p>  <p>x18</p>	<p>44</p>  <p>x4</p>
<p>12mm Screw</p>	<p>9mm Screw</p>	<p>18.5mm Bolt</p>	<p>17mm Bolt</p>
<p>45</p>  <p>x22</p>	<p>46</p>  <p>x2</p>	<p>47</p>  <p>x2</p>	<p>48</p>  <p>x1</p>
<p>Nut</p>	<p>28mm Screw</p>	<p>Goal Box Set</p>	<p>Billiard Ball Set</p>

PARTS LIST:

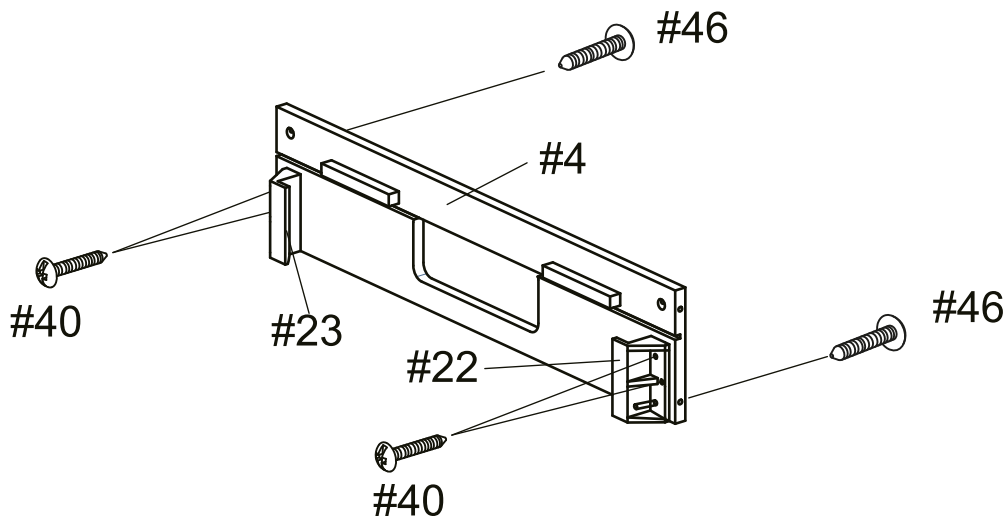
<p>49</p>  <p>x2</p>	<p>50</p>  <p>x1</p>	<p>51</p>  <p>x2</p>	<p>52</p>  <p>x1</p>
<p>Cue</p>	<p>Plastic Triangle</p>	<p>Chalk</p>	<p>Brush</p>
<p>53</p>  <p>x1</p>	<p>54</p>  <p>x1</p>	<p>55</p>  <p>x1</p>	<p>56</p>  <p>x1</p>
<p>Basket Ball Rim</p>	<p>Basket Ball Net</p>	<p>Basket Ball</p>	<p>Air Pump</p>
<p>57</p>  <p>x1</p>	<p>58</p>  <p>x4</p>	<p>59</p>  <p>x4</p>	<p>60</p>  <p>x1</p>
<p>Ball Return</p>	<p>Magnetic Dart</p>	<p>Sand Bags</p>	<p>Bow and Arrow Set</p>
<p>61</p>  <p>x2</p>	<p>62</p>  <p>x1</p>	<p>63</p>  <p>x1</p>	
<p>Soccer ball</p>	<p>Allen Key</p>	<p>Wrench</p>	

STEP 1

Attach the table bracket(#22 & 23) to the goal end panel (#4) using screw (#46) through the pre-drilled holes.

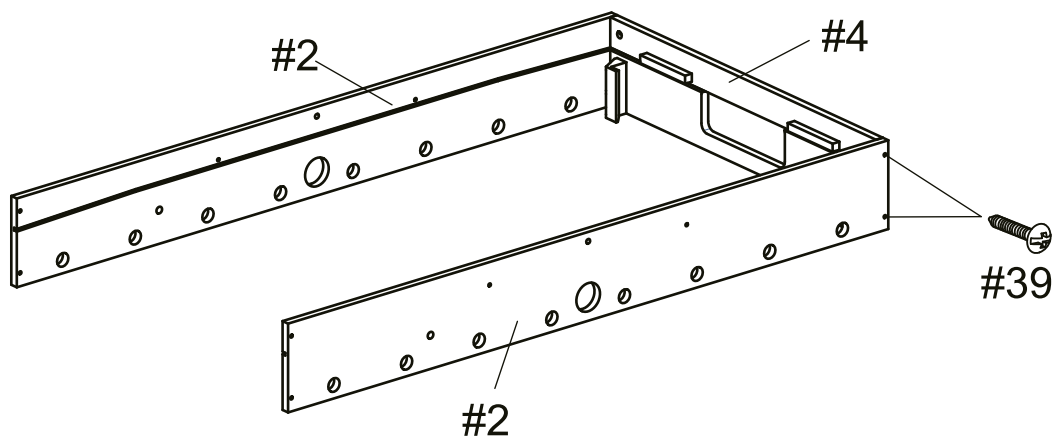
Align the brackets (#22 & #23) to the goal end panel (#4) as shown.

Fix the brackets(#22 & #23) to the goal end panel (#4) using screw (#40).



STEP 2

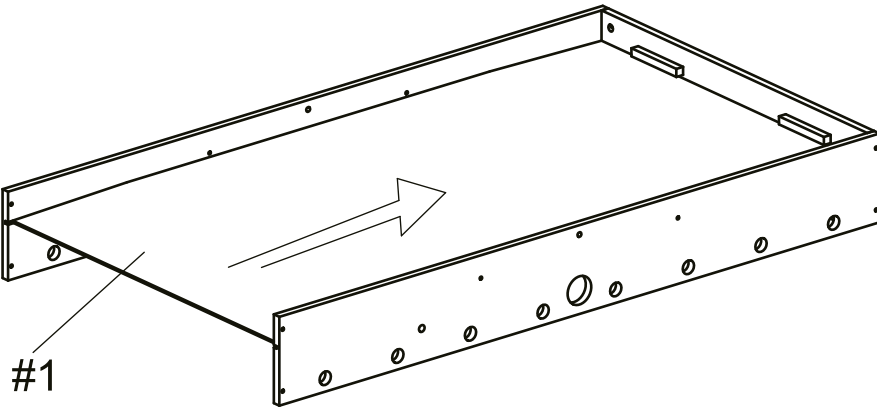
Attach the side panel (#2) to the goal end panel (#4) using screw (#39).



Be sure that the holes in the side panels are closest to the floor.

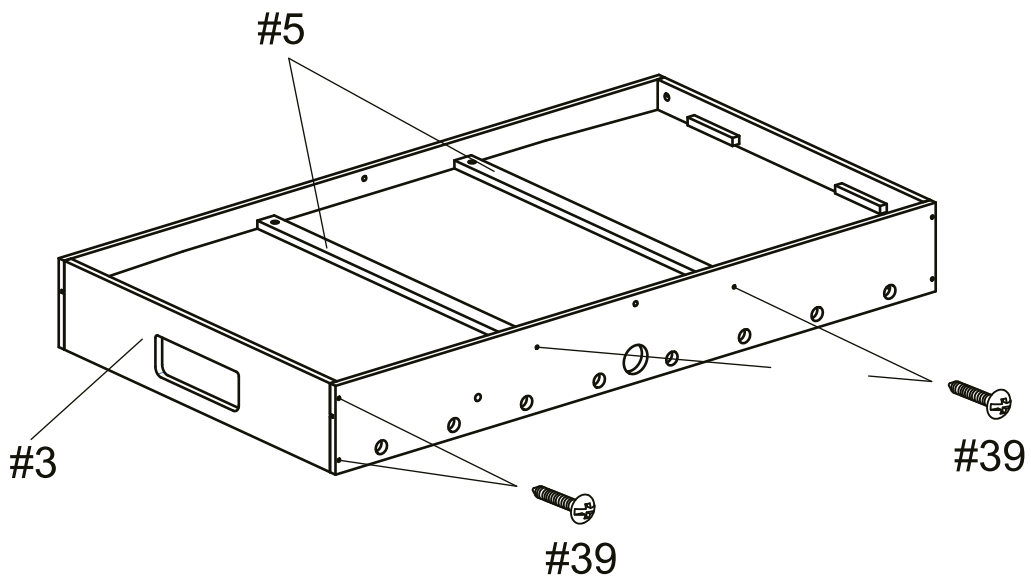
STEP 3

Slide the playfield (#1) into the completed unit. Be sure that the playfield is facing down.



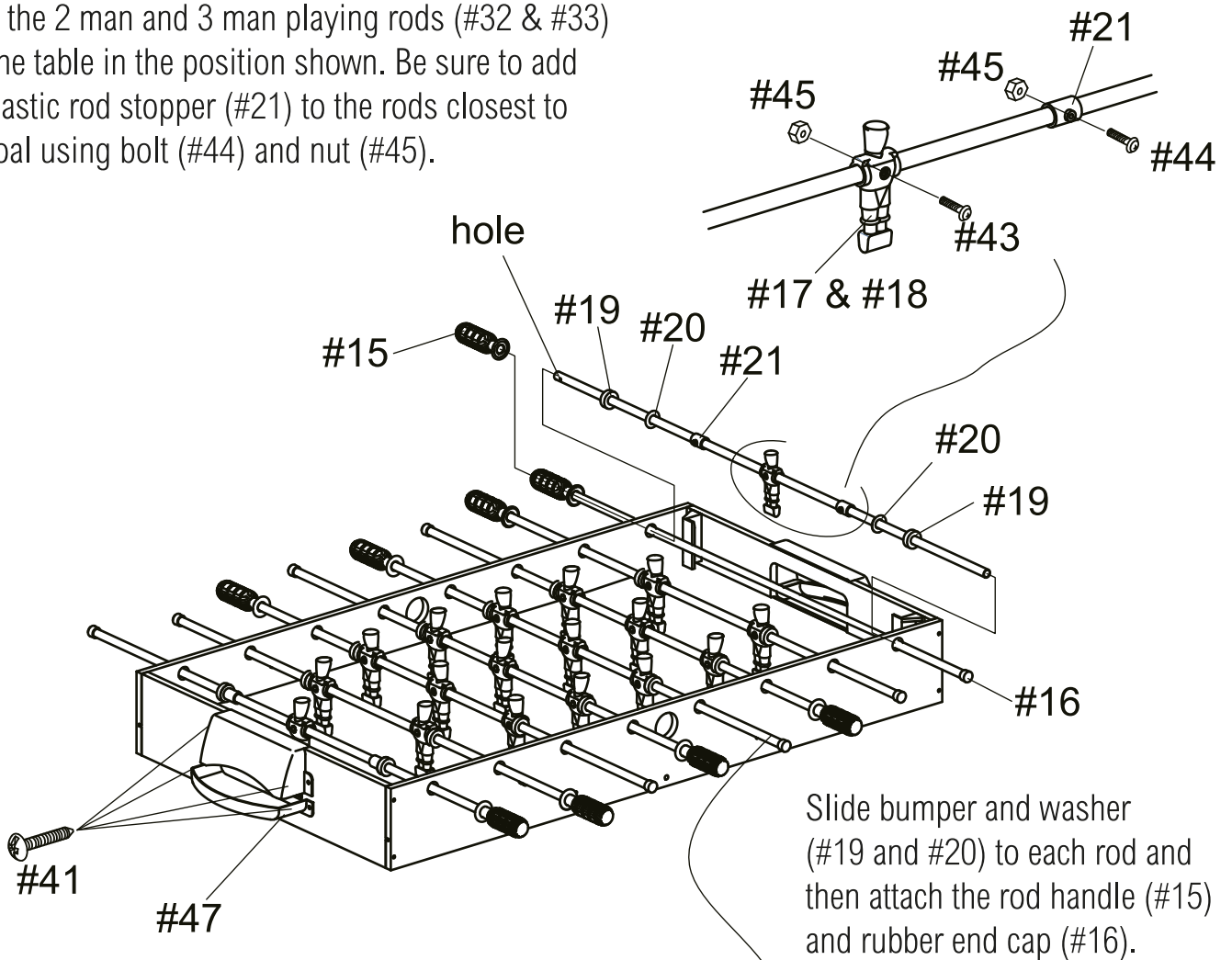
STEP 4

Using the predrilled holes attach the field support braces (part 5) to the assembled unit with screw (#39)

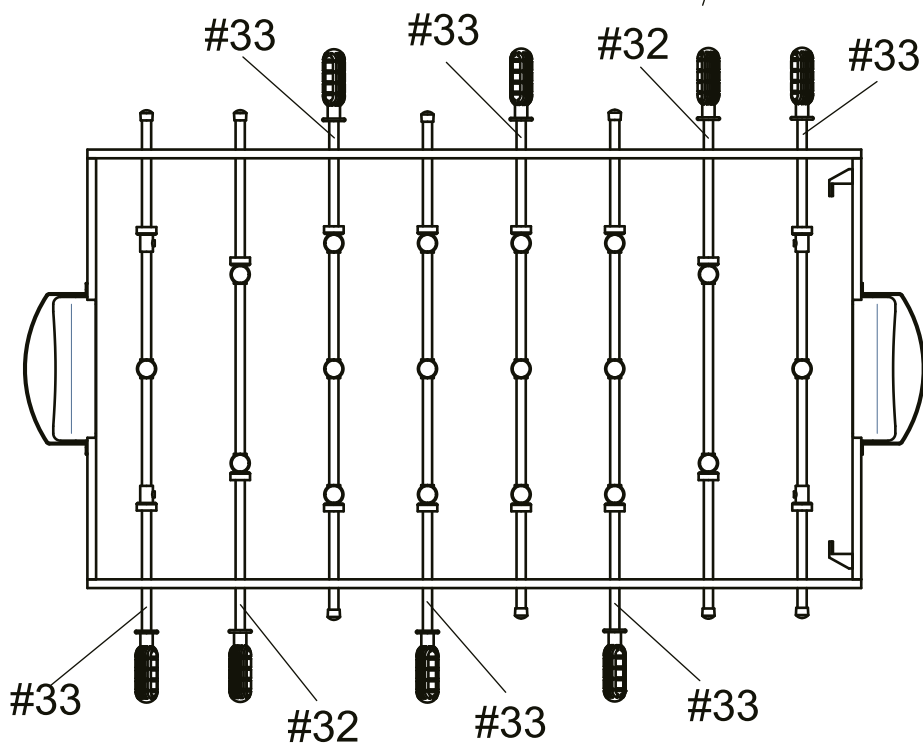


STEP 5

Place the 2 man and 3 man playing rods (#32 & #33) into the table in the position shown. Be sure to add the plastic rod stopper (#21) to the rods closest to the goal using bolt (#44) and nut (#45).

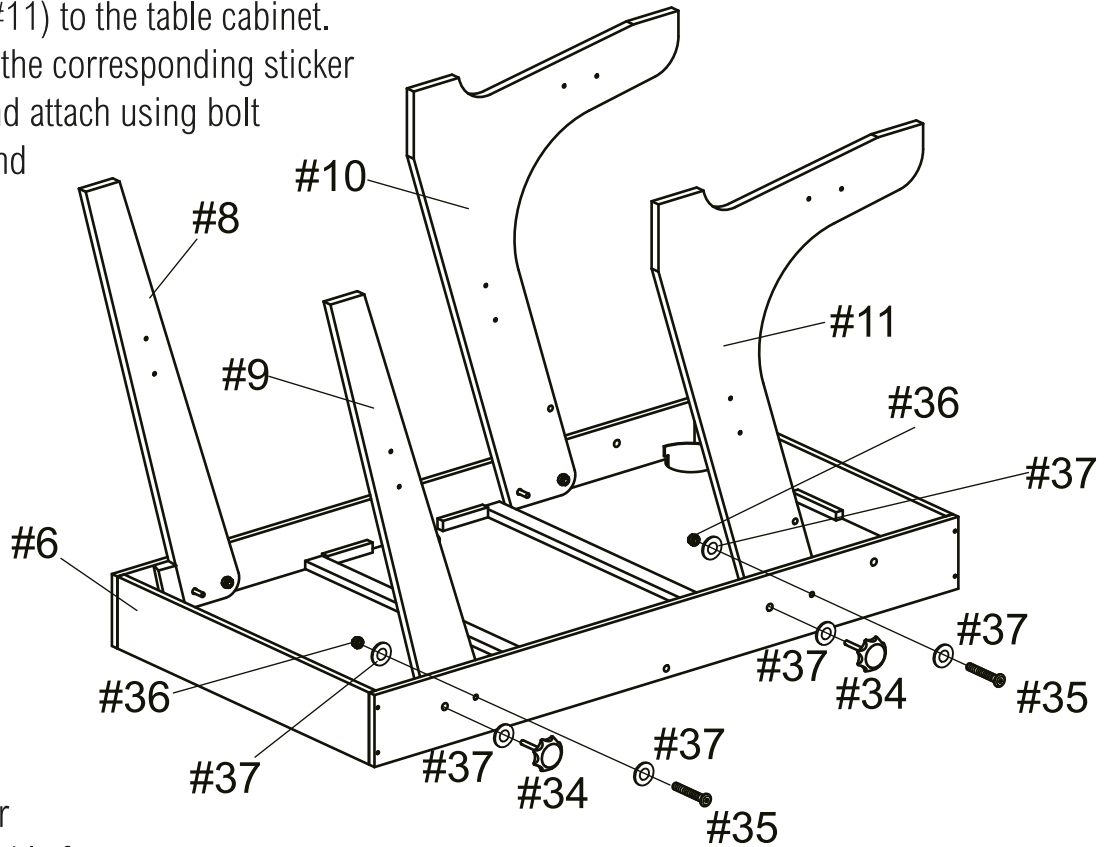


Attach goal box (#47) using screw (#41)



STEP 6

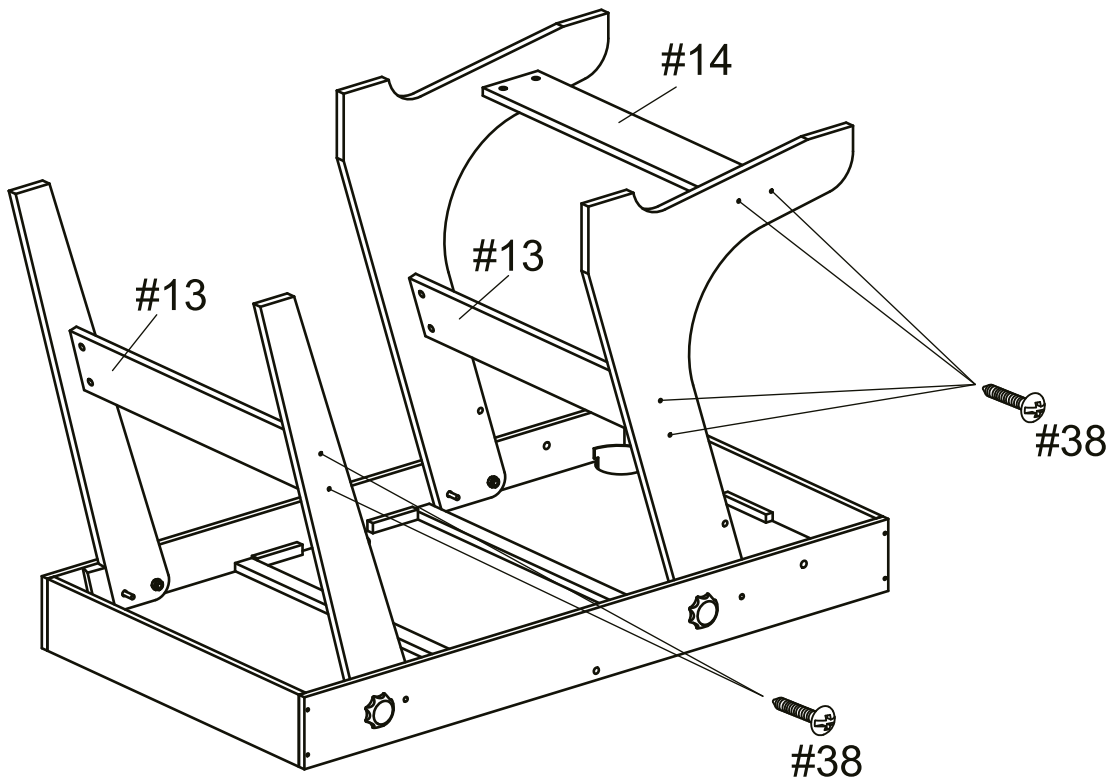
Attach table legs (#8-#11) to the table cabinet. Place each leg next to the corresponding sticker on the table cabinet and attach using bolt (#35), washer (#37) and nut (#36).



Attach bolt and washer (#34 and #37) to the table frame.

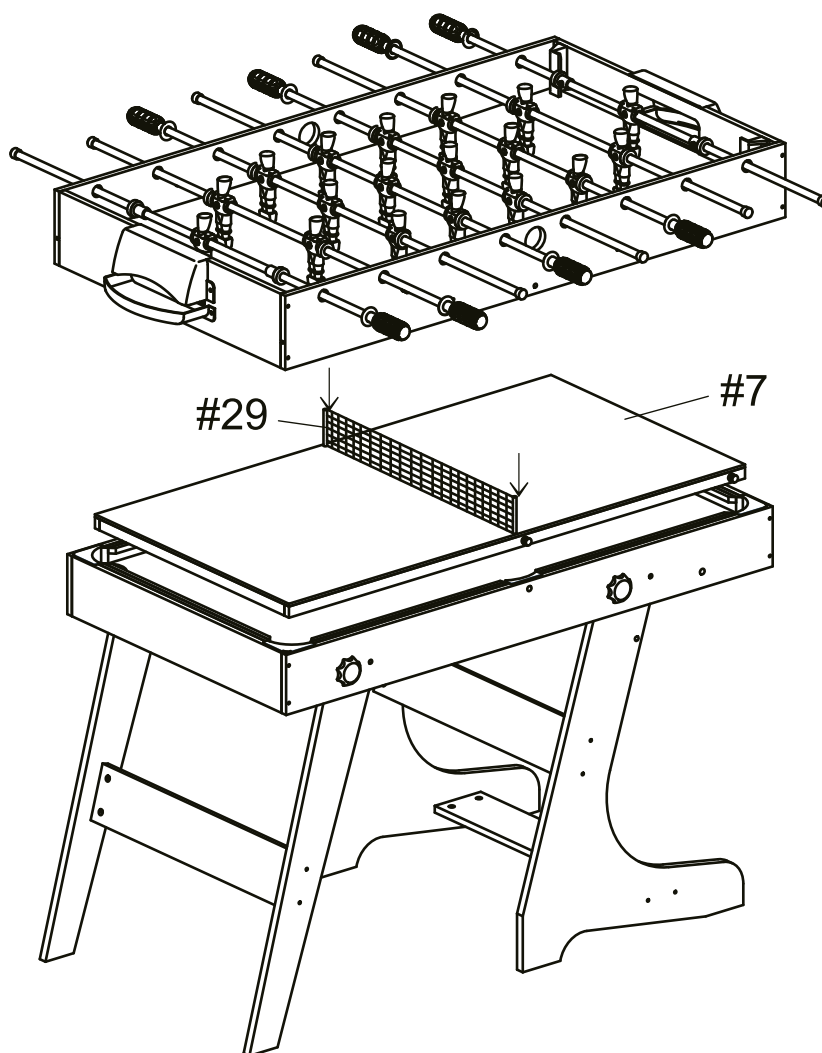
STEP 7

Secure leg end panels (#13 and #14) to the completed legs using screw (#38)



STEP 8

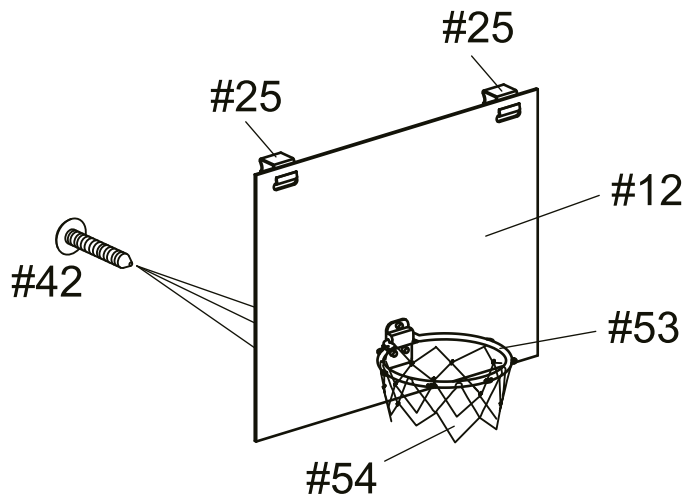
Make sure that all screws and bolts are tight and secure. Using two adults carefully turn the table upright onto its legs. Do not lean the table on 2 legs during turning.



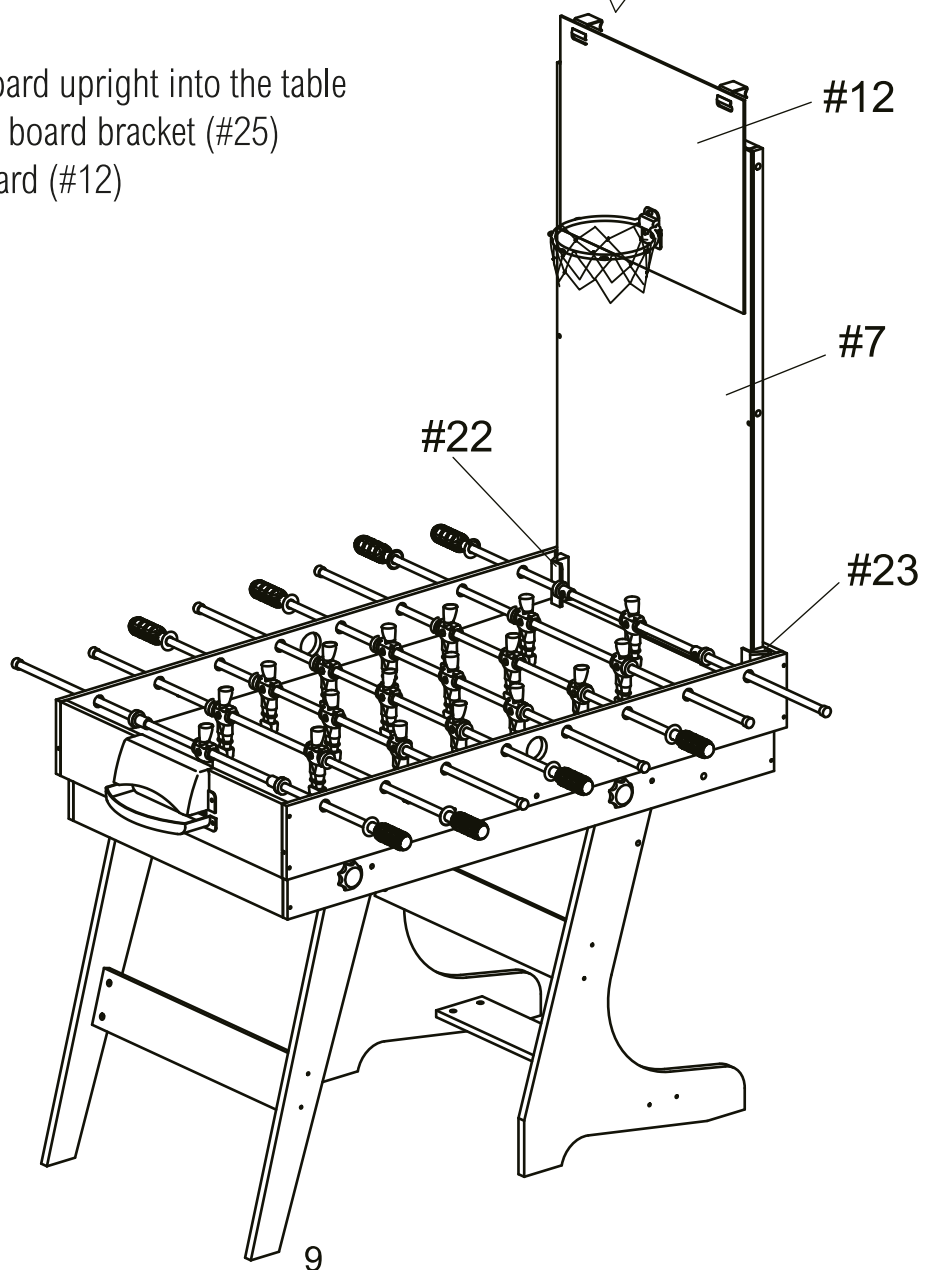
The table tennis net set (#29) will fit securely into the table tennis/hockey board (#7).

STEP 9

Place the basketball rim (#53) together and attach to the basketball board (#12) using screw (#42). Once done the basketball net (#54) can be attached to the rim.



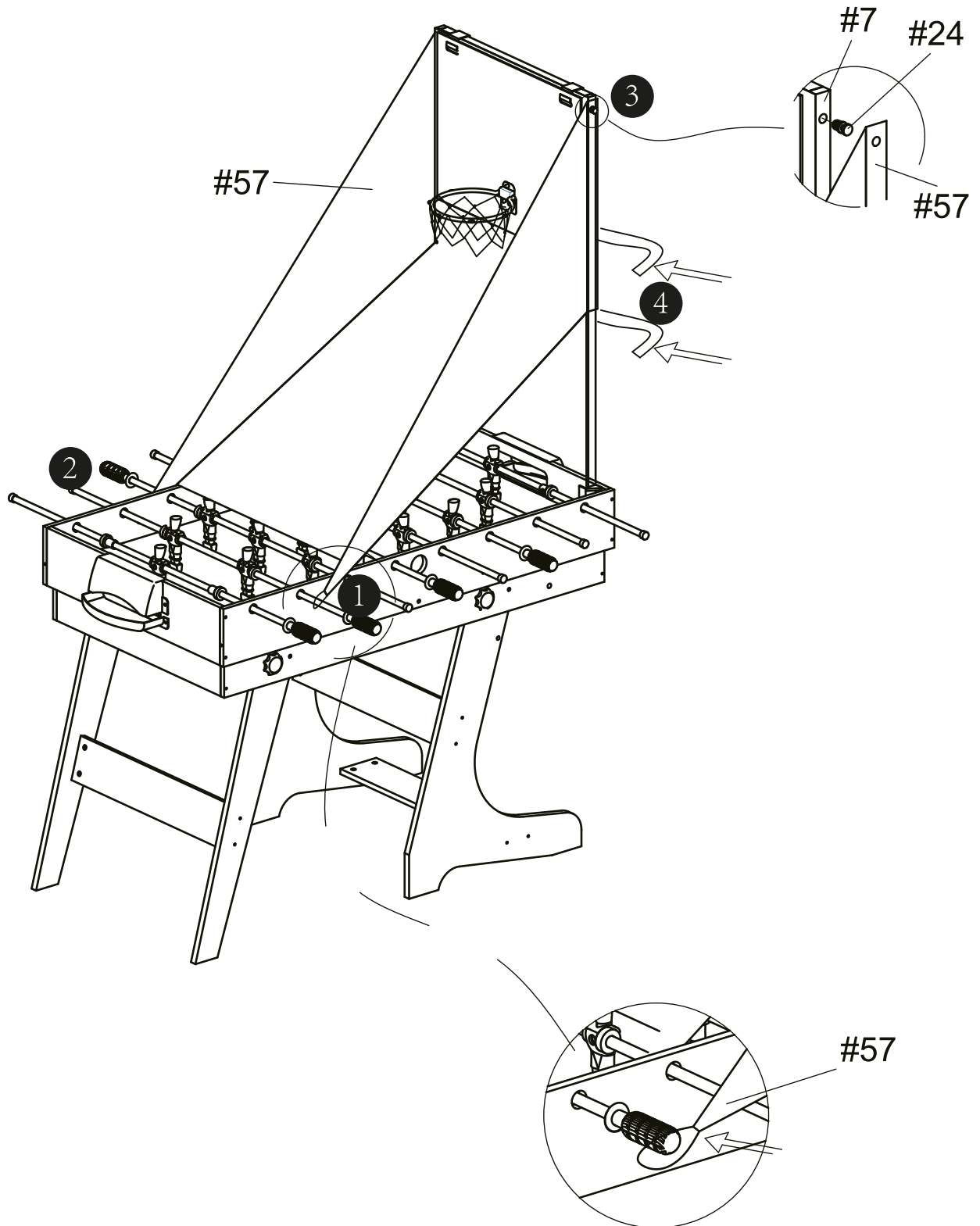
Place the tennis/hockey board upright into the table bracket (#22&23). Use the board bracket (#25) to attach the basketball board (#12)



STEP 10

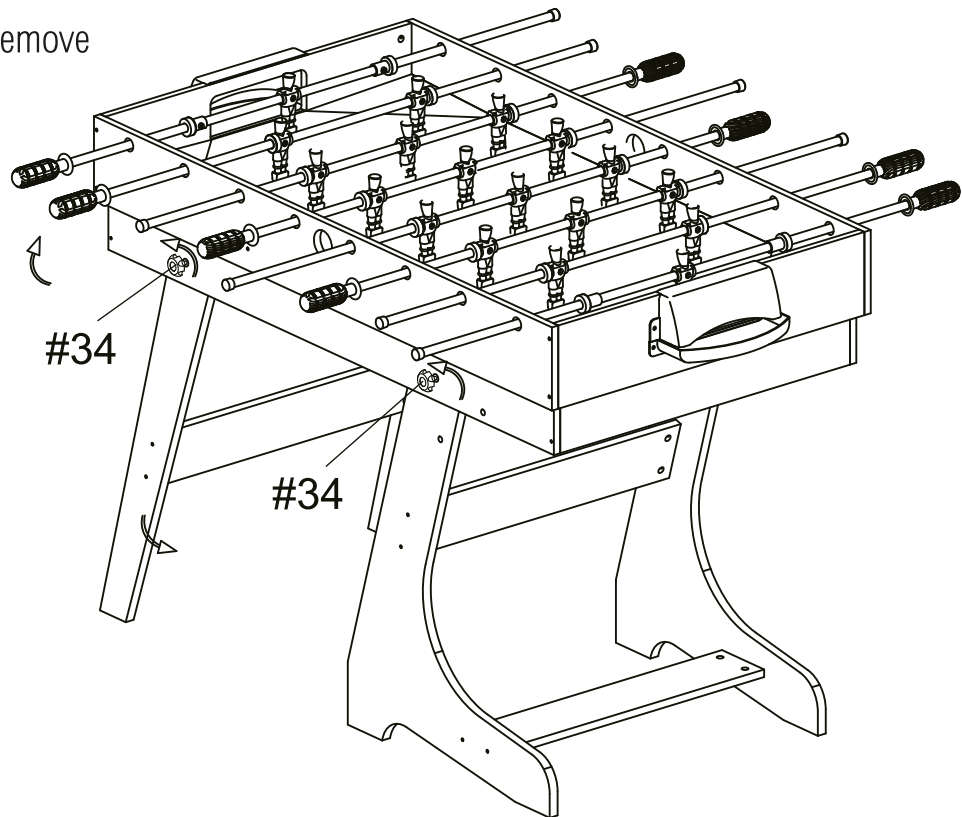
Attach the net anchor (#24) to the top of the table tennis/hockey board. Secure the top of the ball return (#57) to this anchor and the bottom part to the football playing rod.

Using Velcro to secure the ball return (#57).

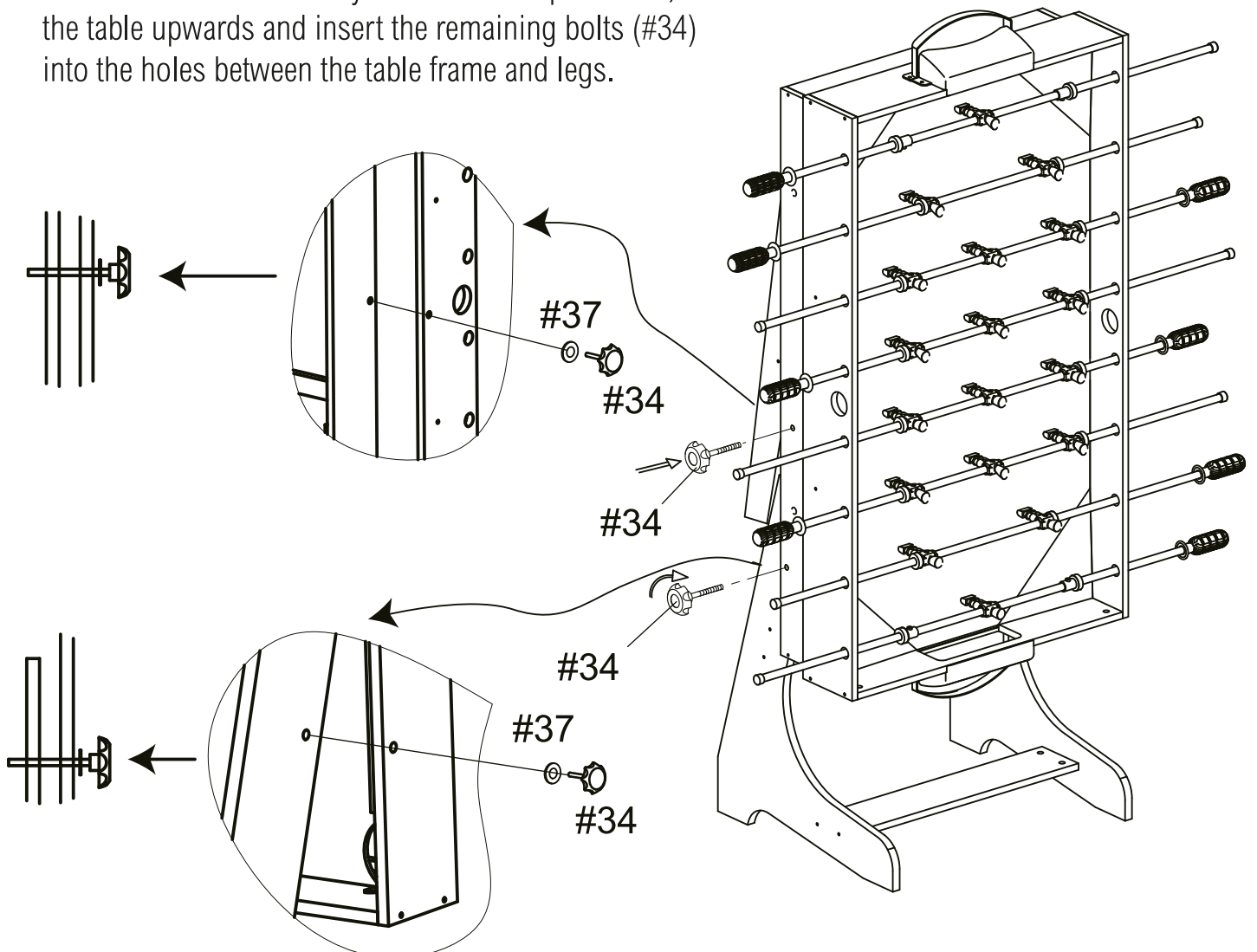


STEP 11

To fold the table upwards. Firstly remove the bolt (#34) from the table and insert 2 x bolt (part 34) into the predrilled hole in the centre of the football table.

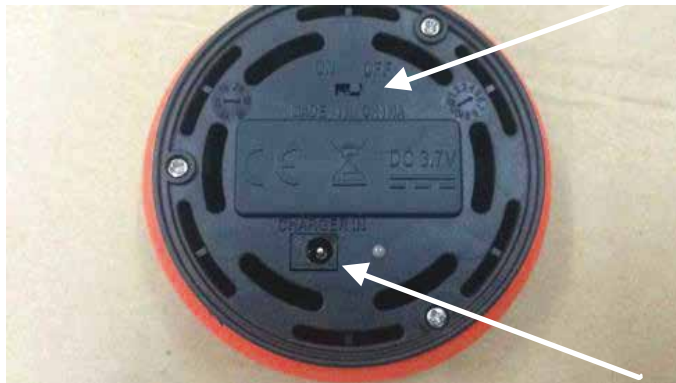


With the football table fully secured to the pool table, fold the table upwards and insert the remaining bolts (#34) into the holes between the table frame and legs.



INSTRUCTIONS FOR USE OF THE POWER PUCK:

- Please turn off the Power Puck before charging.
- Please use 1-1.5A output charger (not included) or a computer to charge the Power Puck.
- Normal charge time is around 50 minutes.
- Please ensure you charge the Power Puck for a minimum of 1 hour for the initial charge.
- To play with the Power Puck, please turn on the bottom under the puck.

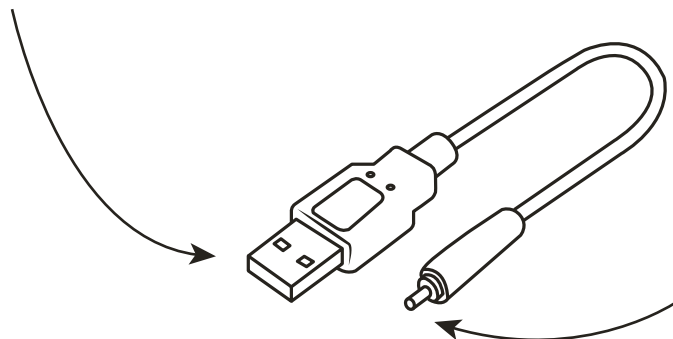


ON / OFF SWITCH
Turn ON to play.
Turn OFF to store or to charge.

CHARGE PORT
Install USB cable here.

USB PLUG

Connect to a computer / output charger to charge for 50 minutes.



CONNECTOR
Connect to Power Puck to charge.

©Hy-Pro Sports

Manufactured by
Hy-Pro International
Hy-Pro House, Centrus Park, Arenson Way,
Dunstable, Bedfordshire, LU5 5BN, UK

Hy-Pro Europe
Cube Building, Monahan Road, Cork,
T12H1XY Republic Of Ireland.

Hy-Pro Asia
Room 1011, 10/F, Peninsula Centre,
67 Mody Road, Kowloon, Hong Kong