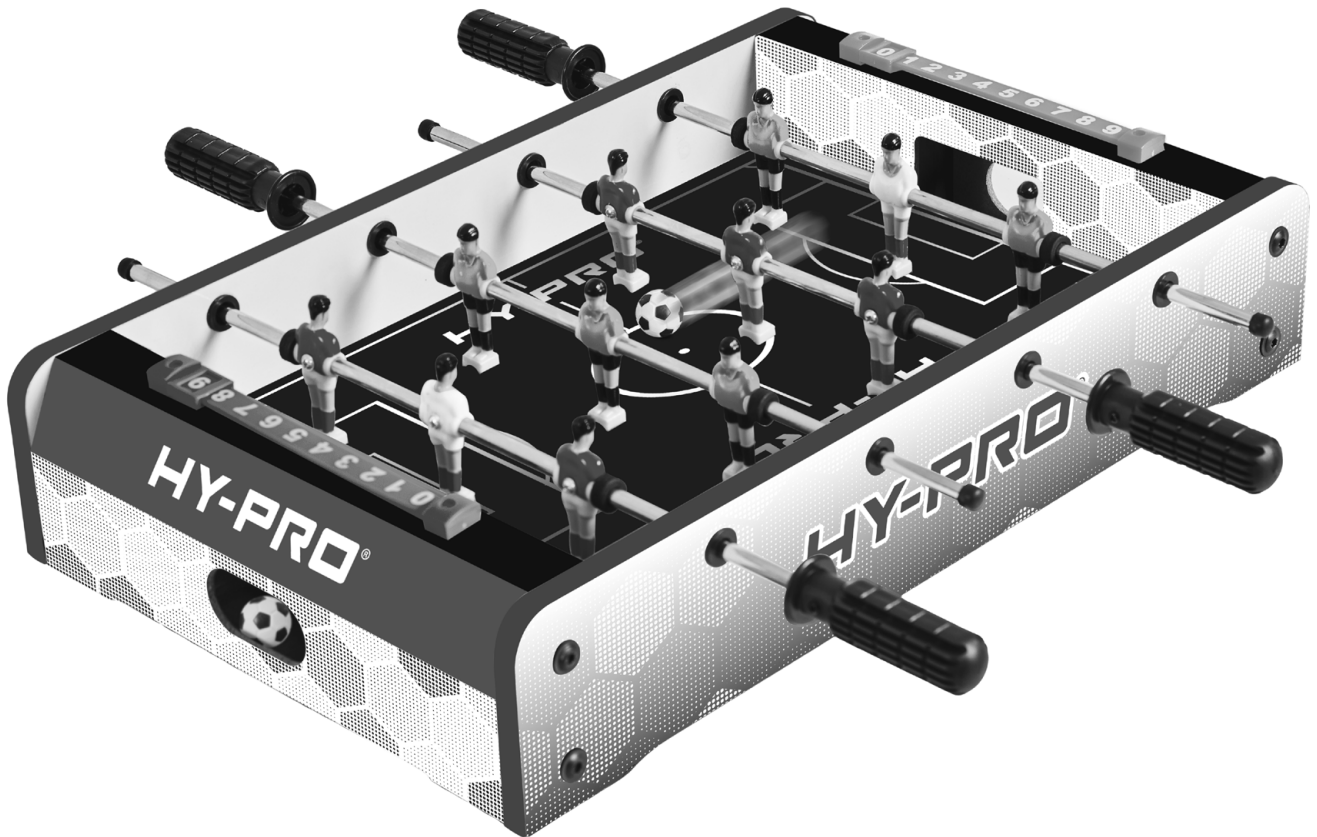


HY-PRO®

TABLE TOP FOOTBALL

Assembly Instructions

Item No: HP08188



Warning: Not suitable for children under 3 years due to small parts and small balls - CHOKING HAZARD

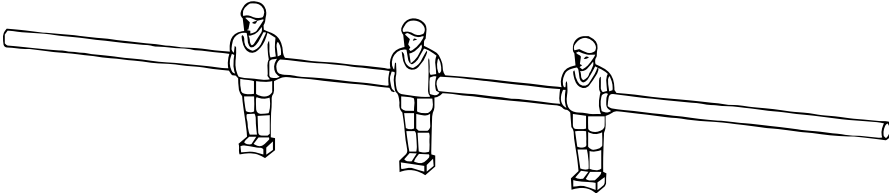
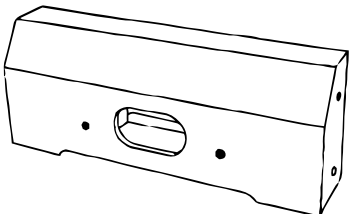
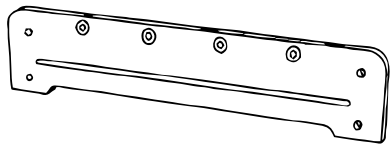
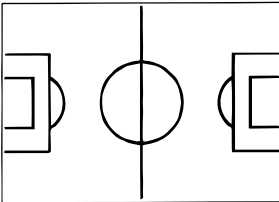
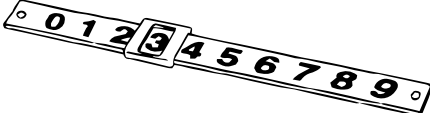
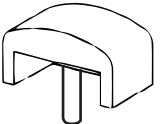
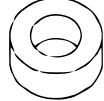

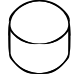
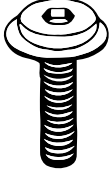

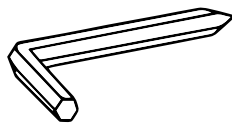

- Caution! Adult assembly required.
 - Sharp point on screws; unpack and assemble with care.
- Keep small parts and polybags away from children during and after assembly
You will need a phillips screwdriver (not included) to assemble.

IMPORTANT!

Please keep your instructions. Before attempting assembly, please read through this instruction book to familiarise yourself with all the parts and assembly steps. Please refer to the Parts List and be sure that all parts have been included. If you have a problem with this product, we want to help.

For immediate assistance, please email us on info@hy-pro.co.uk.

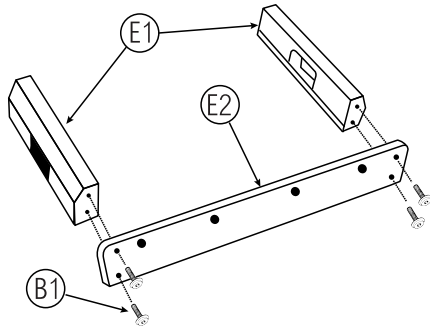
PARTS LIST:

T1/T2/T3/T4  <div style="text-align: right;">x4</div>			
Player Rods			
E1  <div style="text-align: right;">x2</div>	E2  <div style="text-align: right;">x2</div>		
Goal End Panel		Side Panel	
E3  <div style="text-align: right;">x1</div>	E4  <div style="text-align: right;">x2</div>		
Playing Field		Scorer	
E5  <div style="text-align: right;">x4</div>	A1  <div style="text-align: right;">x8</div>	A2  <div style="text-align: right;">x4</div>	A3  <div style="text-align: right;">x4</div>
Scorer End Cap	Buffer Ring	Handle	End Cap
B1  <div style="text-align: right;">x8</div>	B2  <div style="text-align: right;">x4</div>	C1  <div style="text-align: right;">x1</div>	C2  <div style="text-align: right;">x2</div>
Bolt	Screw	Tool	Mini Football

You need help? For spare parts information and technical support, visit our website at www.hyprosports.com or email us on info@hy-pro.co.uk

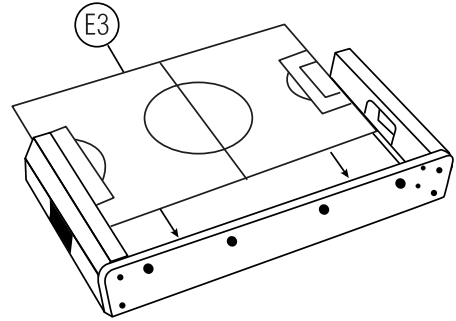
CONSTRUCTING THE TABLE:

1



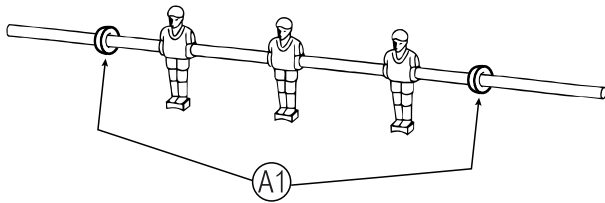
Use 4x Bolt (#B1) to attach 2x Goal End Panel (#E1) and 1x Side Panel (#E2) with Tool provided.

2



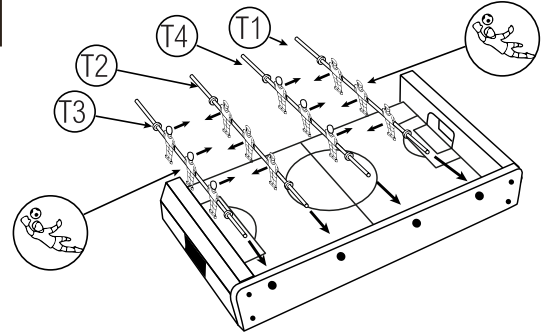
Insert the Playing Field (#E3) into grooves of the assembled pieces from step 1 as shown.

3



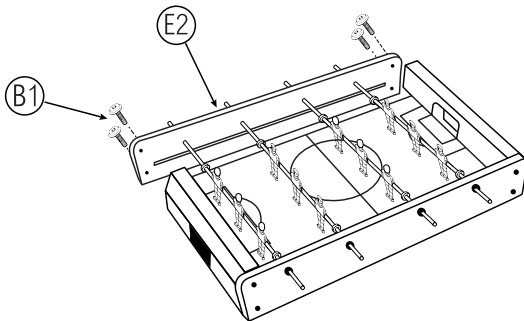
Install the 8x Ring (#A1) on to Player Rods (#T1, #T2, #T3, #T4)

4



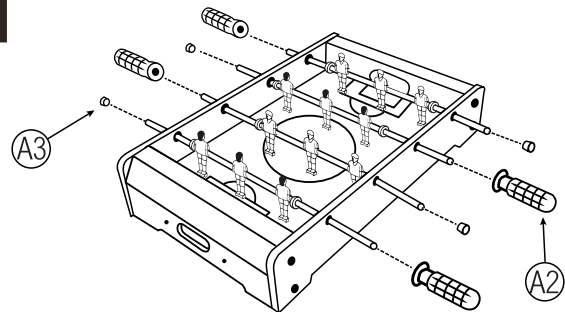
Install the 4x Player Rod (#T1, #T2, #T3, #T4) into the pre-drilled holes along the side of the Side Panel (#E2).

5



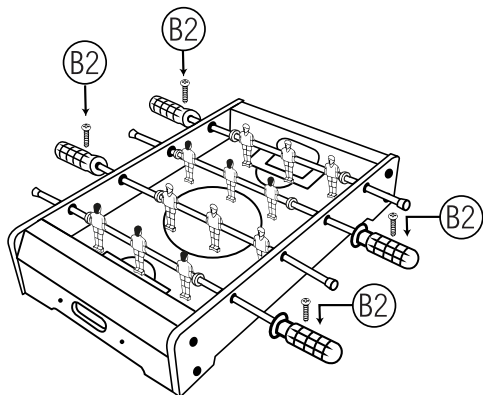
Position the remaining Side Panel (#E2) and attach securely as in step 1 using 4x Bolt (#B1).

6



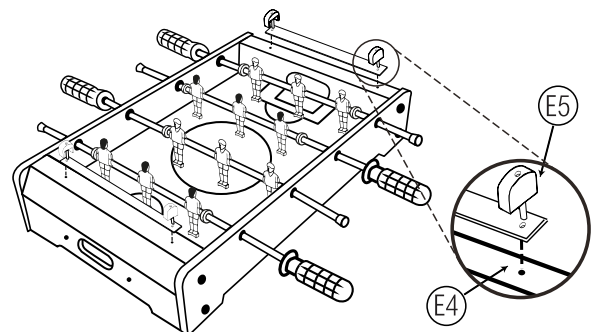
Attach 4x Handle (#A2) and 4x End Cap (#A3) as shown and press firmly into place.

7

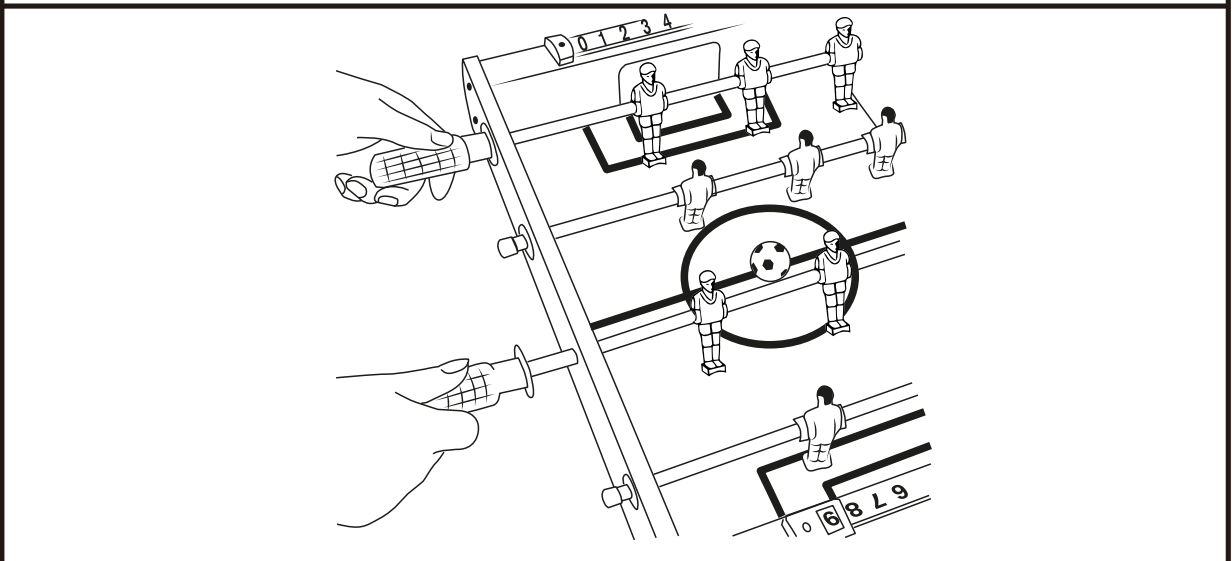


Insert 4x Screw (#B2) into 4x Handle (#A2) and screw into place.

8



Attach 2x Scorer End Cap (#E5) and 1x Slide Scorer (#E4) together and fix to the table via the pre-drilled holes in the Goal End Panel (#E1). Repeat at the other Goal End Panel (#E1).



Made in China

©Hy-Pro Sports

Manufactured by

Hy-Pro International

Hy-Pro House, Centrus Park, Arenson Way,
Dunstable, Bedfordshire, LU5 5BN, UK

Hy-Pro Europe:

Cube Building, Monahan Road,
Cork, T12H1XY, Republic of Ireland.

Hy-Pro Asia:

Room 1011, 10/F Peninsula Centre,
67 Mody Road, Kowloon, Hong Kong.