

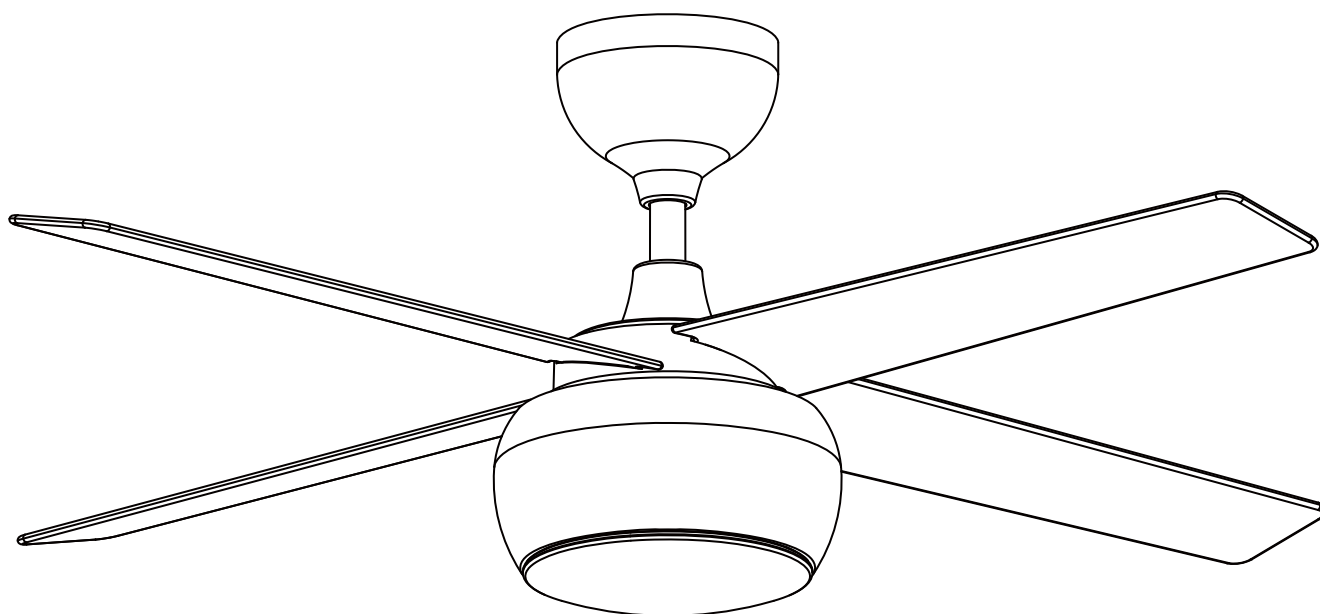
FanHUB

Customer Service Centre

Tel: (607) 555 9827

www.fanhubstore.com

OWNER'S MANUAL
ESSENTIAL INSTRUCTIONS



MODEL: FH9303

TABLE OF CONTENTS

SAFETY PRECAUTION	2
PACKAGE CONTENTS	3
FAN INSTALLATION INSTRUCTION	4
OPERATING YOUR TRANSMITTER	8
CARE AND CLEANING	9
TROUBLE SHOOTING GUIDE	10
ELECTRICAL RATING	11
FanHUB WARRANTY	11

SAFETY PRECAUTION

Please observe the following general safety precautions carefully before and during all phases of handing, installation, removal, operation and maintenance of this appliance.

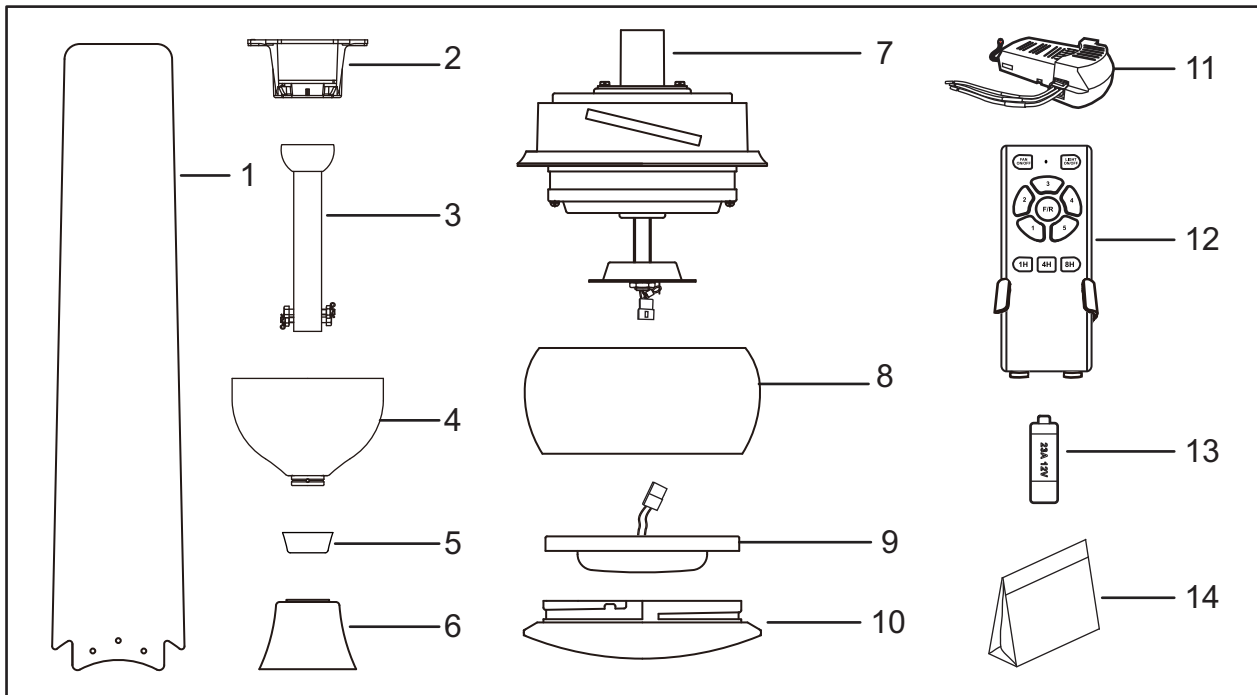
1. Read all instructions and safety information. Review assembly diagrams provided before installing your new ceiling fan.
2. Make sure that all electrical connections comply with local codes, ordinances, or National electrical codes. Hire a qualified electrician or consult a do-it-yourself writing hand book if you are unfamiliar with installing electrical wiring.
3. This appliance is not intended for use by persons (including children) with reduced physical, sensory or mental capabilities, or lack of experience and knowledge, unless they have been given supervision or instruction concerning use of the appliance by a person responsible for their safety.
4. Young children should be supervised to ensure that they do not play with the appliance.
5. All electrical works must only be undertaken after disconnection of the power by removing fuses or turning off the circuit breaker, to ensure all pole isolation of the electrical supply.
6. Do not use outdoors where it could be exposed to water or moisture.
7. This manual is not intended to instruct or assist untrained or unqualified persons to install this ceiling fan.
8. It is the responsibility of qualified, licensed installer and user to apply common sense and care at all times during installation and operation.
9. After you install the fan, make sure that all connections are secure to prevent the fan from falling.
10. Instruction for supply connection: conductor of a fan identified as grounded conductor to be connected to a grounded conductor of power supply, conductor of a fan identified as ungrounded conductor to be connected to an ungrounded conductor of power supply, conductor of a fan identified for equipment rounding to be connected to an equipment-rounding conductor.
11. To reduce the risk of electric shock, do not use this fan with any solid-state speed control device or variable speed switch.
12. To reduce the risk of fire, electrical shock, or personal injury, do not bend the blade brackets when installing the brackets, balancing the blades, or cleaning the fan. Do not insert foreign objects between the rotating fan blades. Consult a qualified electrician if in doubt.
13. According to regulations and to provide a safe clearance from the floor, the lowest point on the fan blade must be at least 2.3 meters from the floor.
14. The chosen location for the fan must not allow the rotating blades to come into contact with any object.
15. To reduce the risk of fire, electrical shock or personal injury, please sure that the fan mounting bracket is directly supported from the building structure.
16. The mounting bracket must be firmly screwed to a load bearing building structure e.g. a concrete ceiling, steel structure, or a timber frame. If additional timber frames are to be added, those must be securely nailed or screwed between the beams.
17. Attach fan blades after the fan motor housing is installed and properly secured. Keep the motor and blades in the original package until it is ready to be installed.
18. Check and confirm, after the fan is completely installed, that all connections are proper and secure to prevent the fan from failing or causing properly damages or personal injury.
19. Both the fan with light kit (accessory) and the handing bracket must be earthed.
20. Make sure electricity is turned off at the main power box before commencing work. Turn off the power by removing fuse or turning off circuit breaker before installing the fan and replacing lamps.
21. Any unusual fan oscillation, switch off the power and immediately contact a licensed electrician to inspect and rectify the problem.
22. Any replacement of parts or suspension system, make sure to get a licensed electrician.

INSTALLATION GUIDE

Should you have difficulty installing your ceiling fan, please contact our customer service centre.

PACKAGE CONTENTS

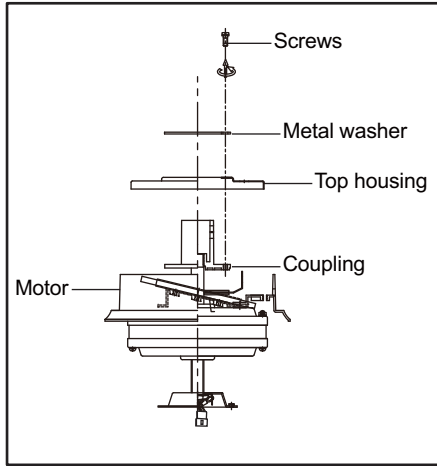
Unpack your fan and check the contents. You should have the following items:



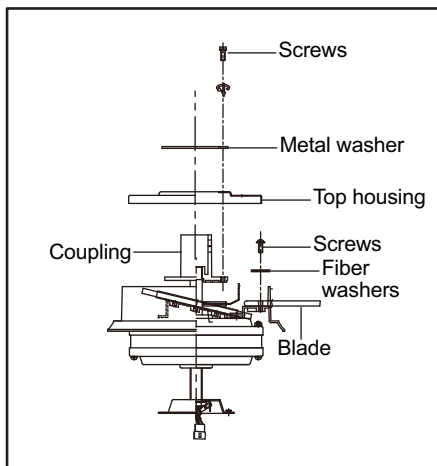
1. Blade set (4 pc)
2. Hanger bracket (1 pc)
3. Downrod assembly (1 pc)
4. Canopy (1 pc)
5. Canopy cover (1 pc)
6. Coupling cover (1 pc)
7. Fan motor assembly (1 pc)
8. Mounting plate (1 pc)
9. 24 Watt LED light kit (1 pc)
10. Glass shades (1 pc)
11. Receiver (1 pc)
12. Remote control and holder (1 pc)
13. 12V battery (1 pc)
14. Package hardware
 - 1) Mounting hardware :
Expansion Screw (2 pc),
wire nuts (3 pc)
 - 2) Blade attachment hardware:
screws with fiber washers (13 pc)
 - 3) Balance Kit

FAN INSTALLATION INSTRUCTIONS

Important: Power supply must be switched off prior to any contact with electrical wires. It is recommended to get a licensed electrician to install your ceiling fan.



1. Remove the top housing by remove six screws on top of the housing. Take off the metal washer and top housing.



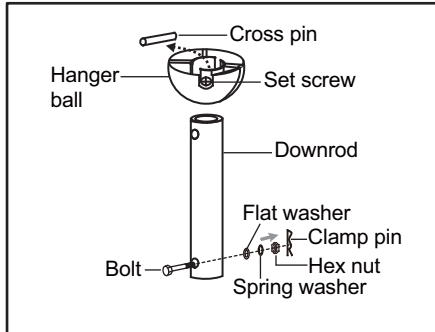
2. Insert the blade through the slot in the housing. Align the holes in the blade and the fan motor assembly and secure with the blade screws with fiber washers provided.

Repeat these steps for the remaining blades.

Re-attach the top housing onto motor.

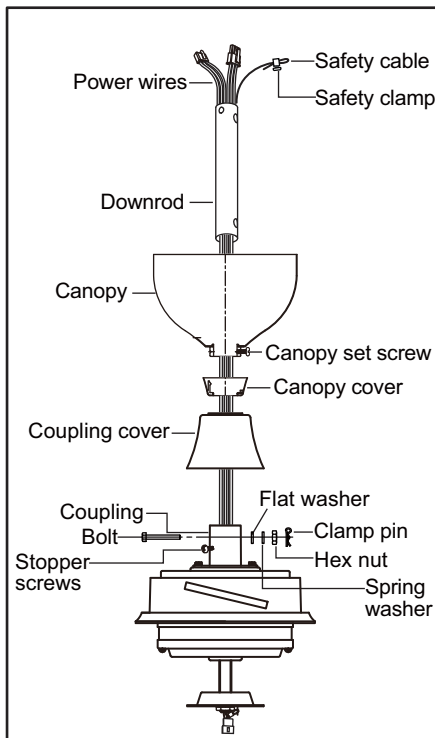
FAN INSTALLATION INSTRUCTIONS

Important: Power supply must be switched off prior to any contact with electrical wires. It is recommended to get a licensed electrician to install your ceiling fan.



3. Remove hanger ball from downrod by loosening set screw in the side of the ball. Slide ball down and remove cross pin; remove ball.

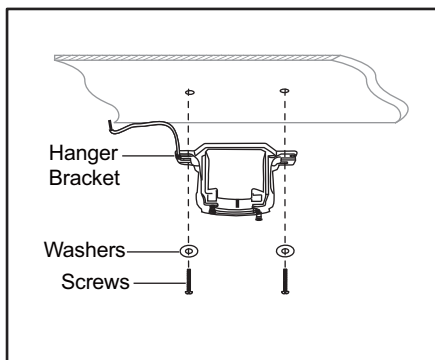
Remove the clamp pin, hex nut, spring washer, flat washer and bolt from the downrod assembly, please keep the hanging wheel kit, the bolt, washers, hex nut and clamp pin.



4. Loosen the stopper screws on coupling and remove the cable clamp preinstalled on the end of safety cable. Feed motor lead wires and safety cable through downrod.

Insert downrod into downrod coupling. Make sure to align hole in downrod with the hole in downrod coupling. Install coupling cross pin through coupling and downrod. Insert flat washer, spring washer hex nut and clamp pin into cross pin until it snaps into place. Tighten stopper screws in coupling.

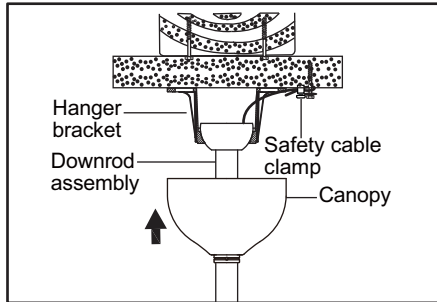
Loosen the canopy set screw preinstalled on the canopy. Slide coupling cover, canopy cover and canopy through the downrod and wires.



5. Locate ceiling joist where fan is to be mounted, being sure location agrees with the requirements in the minimum clearance section of this guide. Wood joists must be sound and of adequate size to support 4 times the weight of fan.

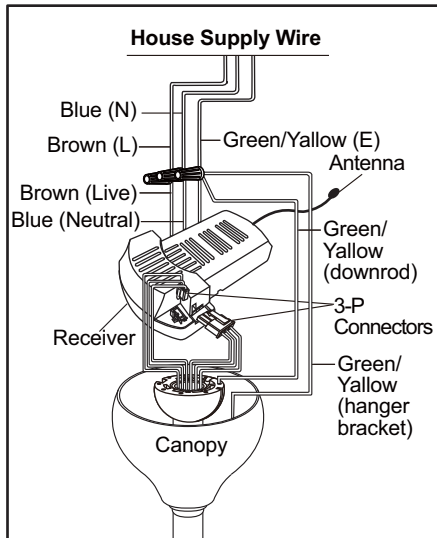
Attach hanging bracket to outlet box using screws provided with the screws and washers.

FAN INSTALLATION INSTRUCTIONS



6. Lift the fan to the hanger bracket. The tab opposite hanger bracket opening should fit in slot on ball. This will allow for handsfree wiring.

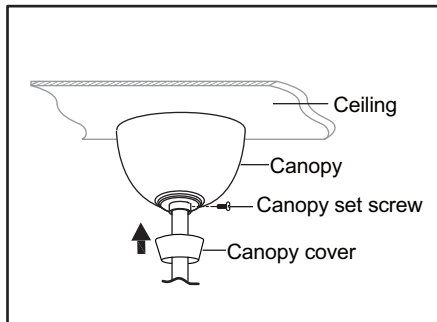
Attach the safety cable to lag bolt. Slide cable clamp onto safety cable (from fan). Place the end of cable through the lag bolt. Pull as much cable through lag bolt as possible. Feed end of cable into clamp hole and firmly tighten screw. Cut off excess safety cable.



7. Connect the two 3-P connectors to the suitable socket on side and top of receiver.

Connect the brown (Live), blue (Neutral) and green/yellow (E) wires from the receiver to the house's supply wire.

NOTE: The remote receiver includes a fuse on light wire. If fuse burns out, pull out the old fuse from the plug and insert the new fuse.

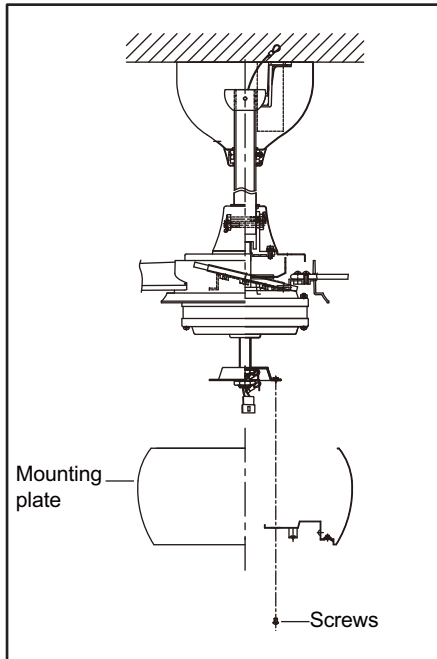


8. Insert the receiver into canopy and store all wires neatly.

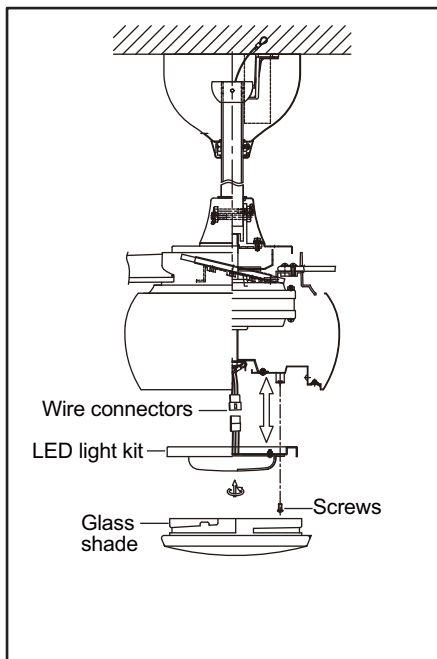
Lift the canopy to ceiling and leave some spaces (5mm to 8mm) in between canopy and ceiling to prevent rubbing effects from wobbling. A small amount of wobble is normal and should not be considered as defect. Tighten the canopy set screw firmly to the canopy.

Slide the canopy cover and secure it up to the canopy until snug.

FAN INSTALLATION INSTRUCTIONS



9. Place the key holes on the mounting plate over the 2 screws previously loosened from the mounting ring, turn mounting plate until it locks in place at the narrow section of the key holes. Secure by tightening the 2 screws previously loosened and the one previously removed.



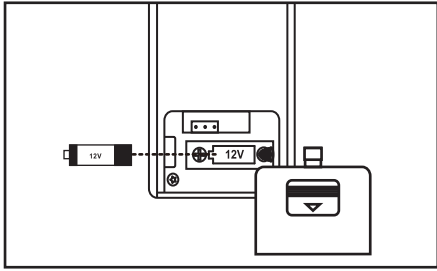
10. Remove the 1 of 3 screws from the mounting plate and keep it for future use. Loosen the other 2 screws. (Do not remove)

While holding the LED light kit under your ceiling fan, push the wire connectors together. One from the fan and one from the LED light kit.

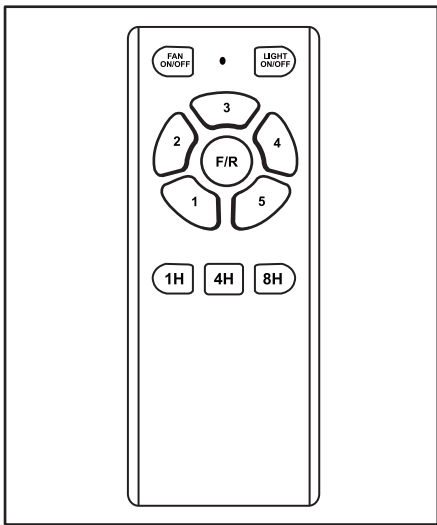
Place the key holes on the LED light kit over the 2 screws previously loosened from the mounting plate, turn LED light kit until it locks in place at the narrow section of the key holes. Secure by tightening the 2 screws previously loosened and the one previously removed.

Raise glass shade up against the light kit and secure it to fan by turning glass clockwise until snug. **DO NOT OVERTIGHTEN.**

OPERATING YOUR TRANSMITTER



1. Install the 12V 23A battery (included) into the remote control. To prevent damage to the remote control, remove the battery if not used for long periods.



2. Restore power to the ceiling fan and test for proper operation.

FAN ON/OFF button: Turn on/off both fan and light.

LIGHT ON/OFF button: Press the LIGHT ON/OFF button to turn the LIGHT on or off. Press and hold the button to change the colour temperature of LED lamp. The light kit has an auto resume, it will stay at the same colour temperature as the last time it was turned off.

*LED lamp colour temperature is changeable from 3000K to 6500K.

1 , 2, 3, 4 and 5 buttons: Sets the fan speed.

F/R button: Controls fan direction.

1H, 4H and 8H: Set the timer buttons will automatically turn fan and light (if light is on) off after 1, 4, or 8 hours.

Kindly Reminders

1. Adopt RF wireless digit emission technique, biunique controlled, coincident code rate is less than one millionth. (Emitter and receiver must be sent back to factory for maintenance if damaged.) Receiver can be controlled by any angles of the emitter in prescriptive space, unrestricted by direction. With the memory function, the controller can save the status (light and direction) while the supply power OFF and resume to the original after reload the power supply.
2. learning code matching mode is used between emitter and receiver. Turn "ON" the supply power within 30 seconds and press the emitter's "FAN ON/OFF" button for 5 seconds, it can load normally after hearing a long sound "bee", which means learning successfully and it can works normally. (PS: Learning mode is not accepted after turn "ON" the supply power for 30 seconds)
3. When the emitter cannot control the receiver, please check the battery switch touching normally or not, correction of the positive and negative, full or empty of the power.
4. When installing the fan, the fan ceiling canopy don't press the antenna (or other wire), it is easy to break down the wire and short-circuited.

CARE AND CLEANING

Here are some suggestions to help you maintain your fan

1. Because of the fan's natural movement, some connections may become loose. Check the support connections, brackets, and blade attachments once a year. Make sure they are secure. (It is not necessary to remove fan from ceiling.)
2. Clean your fan periodically to help maintain its new appearance over the years. Use only a soft brush or lint-free cloth to avoid scratching the finish. The plating is sealed with a lacquer to minimize discoloration or tarnishing. Do not use water when cleaning. This could damage the motor, or the wood, or possibly cause an electrical shock.
3. You can apply a light coat of furniture polish to the wood blades for additional protection and enhanced beauty. Cover small scratches with a light application of shoe polish.
4. There is no need to oil your fan. The motor has permanently lubricated bearings.

IMPORTANT: Make sure the power is off at the electrical panel box before you attempt any repairs. Refer to the section "electrical connections".

TROUBLE SHOOTING GUIDE

Problem

Solution

Fan will not start.

1. Check circuit fuses or breakers.
2. Check line wire connections to the fan and switch wire connections in the switch housing. **CAUTION:** Make sure main power is off.

Fan sounds noisy.

1. Make sure all motor housing screws are snug.
2. Make sure the screws that attach the fan blade bracket to the motor hub is tight.
3. Make sure wire nut connections are not rubbing against each other or the interior wall of the switch housing. **CAUTION:** Make sure main power is off.
4. Allow a 24-hour "breaking-in" period. Most noise associated with a new fan disappear during this time.
5. If using an optional light kit, make sure the screws securing the glassware are tight. Check that light bulb is also secure.
6. Some fan motors are sensitive to signals from solid-state variable speed controls. If you have installed this type of control, choose and install another type of control.
7. Make sure the upper canopy is a short distance from the ceiling. It should not touch the ceiling.

Remote control malfunction.

1. Do not connect the fan with wall mounted variable speed control(s)

Fan has lost its programming repeatedly.

1. Turn the AC power off to fan, and re-do steps for programming on page 7.
2. Do not turn off fan from standard wall switch. Use only our wall switch or your remote to regulate fan.

Fan wobble.

1. Check that all blade and blade arm screws are secure.
2. Most fan wobbling problems are caused when blade levels are unequal. Check this level by selecting a point on the ceiling above the tip of one of the blades. Measure this distance. Rotate the fan until the next blade is positioned for measurement. Repeat for each blade. The distance deviation should be equal within 1/8".
3. Use the enclosed Blade Balancing Kit if the blade wobble is still noticeable.
4. If the blade wobble is still noticeable, interchanging two adjacent (side by side) blades can redistribute the weight and possibly result in smoother operation.
WARNING: to reduce the risk of personal injury, do not bend the blade arm while installing, balancing the blades, or cleaning the fan. Do not insert foreign objects between rotating fan blades.

ELECTRICAL RATING

Fan size	Volts	Speed	Amps	Watts	RPM	N.W.	G.W.
36 in.	240~50Hz	High	0.456	63	224	7.00 kg	8.10 kg

Light Kit	Watts	Color Temp.
LED	24	3000K~6500K

WARRANTY

Fanhub Home Appliances Sdn Bhd warranty this fan to original household purchaser for use in indoor only against manufacturing defects and materials faulty for a period of 5 year on motor and 1 year for accessories from the date of purchase.

Repair or replacement of defective parts will be free of charge under the warranty period but transport and labour cost shall be borne by the purchaser.

The purchaser must show warranty card when request for service otherwise the warranty will be considered invalid.