

FanHUB

Customer Service Centre

Tel:(607) 555 9827

www.fanhubstore.com

OWNER'S MANUAL

READ AND SAVE THESE INSTRUCTIONS

Model: FH9400 & FH9601

Tables of Contents

	Page No.
1. Safety Precautions	1
2. Parts & Accessories	2
3. Installation Instruction.....	3
a. Assembly of accessories	3
b. Wiring connection	4
b. Blades assembly	5
c. Deco cover installation ..	6
4. Operating instruction	7

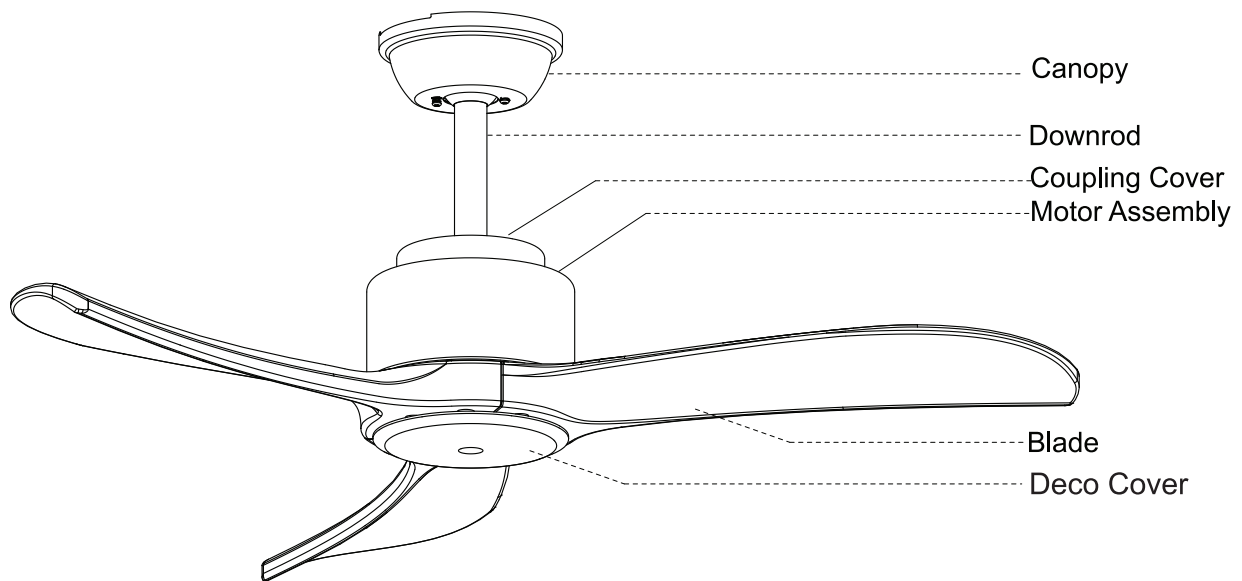
Safety Precaution

IMPORTANT : PLEASE READ BEFORE INSTALLATION.

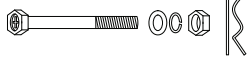


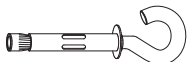
1. Installation must be carried out by a qualified wiring installer.
2. Turn off the electrical mains at the circuit breaker fuse box.
3. Do not use power supply other than 240V 50Hz.
4. This appliance must be earthed.
5. When mounting the fan, ensure that the safety wire is loop across the ceiling mounting hook.
6. The ceiling mounting hook must be able to withhold a min. weight of 35 pounds.
7. The ceiling fan must be mounted at a min. height of 8.2 feet / 2.5m of clearance from the floor.
8. Do not place any objects in the path of the blades.
9. When all electrical connections are done, store all wires neatly.
10. Make sure that all screws and connection are tightly screwed and secured.

Parts & Accessories





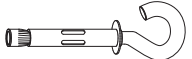
Item	Qty
1. Canopy	1
2. Downrod Assembly	1
3. Coupling Cover	1
4. Motor Assembly	1
5. Blades	3
6. Deco Cover	1



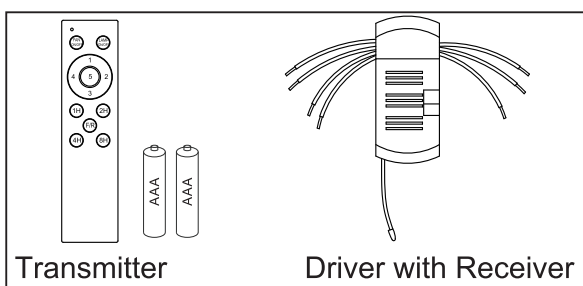
Assembly Kit -FH9400

			
Bolt x 1	Blade Screw & Washer x 10	Expansion Screw x 4	Expansion 'J' Hookx 1

Assembly Kit -FH9601

				
Bolt x 1	Blade Screw x 10	Steel Plate x1	Expansion Screw x 4	Expansion 'J' Hookx 1

Receiver & Transmitter Kit

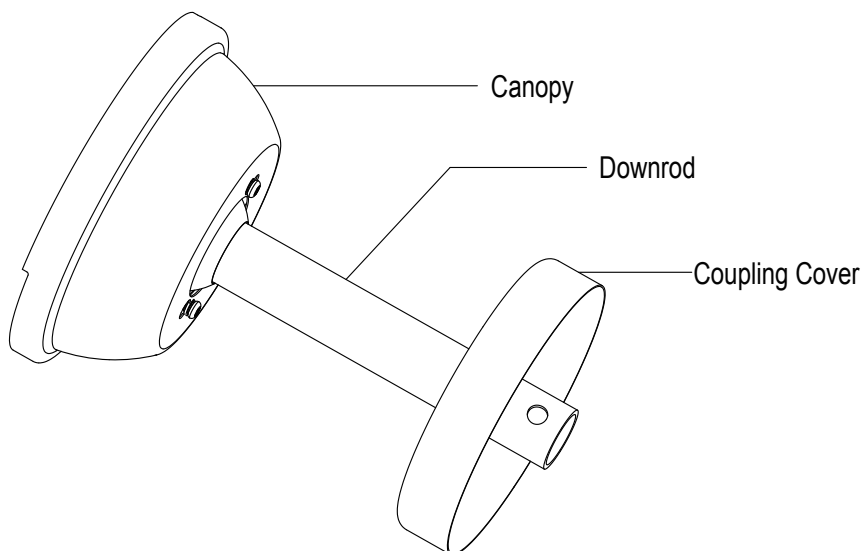


Note: The driver with receiver do not carry out Hi-Pot test.

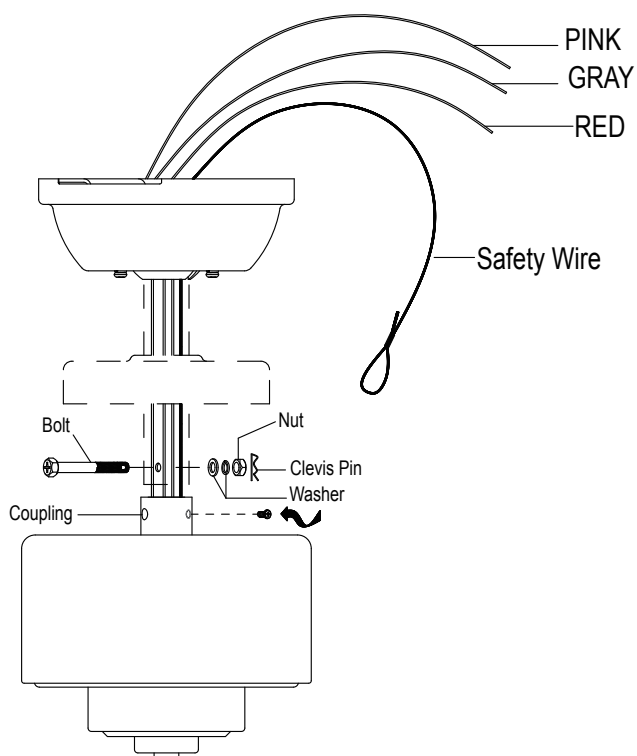
Assembly of Accessories

IMPORTANT : SWITCH OFF THE ELECTRICAL MAINS AT THE CIRCUIT BREAKER FUSE BOX.

Step 1 - Assemble the canopy and coupling cover through the downrod.



Step 2 - Route the all the wires from the motor through the downrod. Fix the downrod to the coupling with bolt, washer, nut and tighten them firmly then insert the clevis pin.

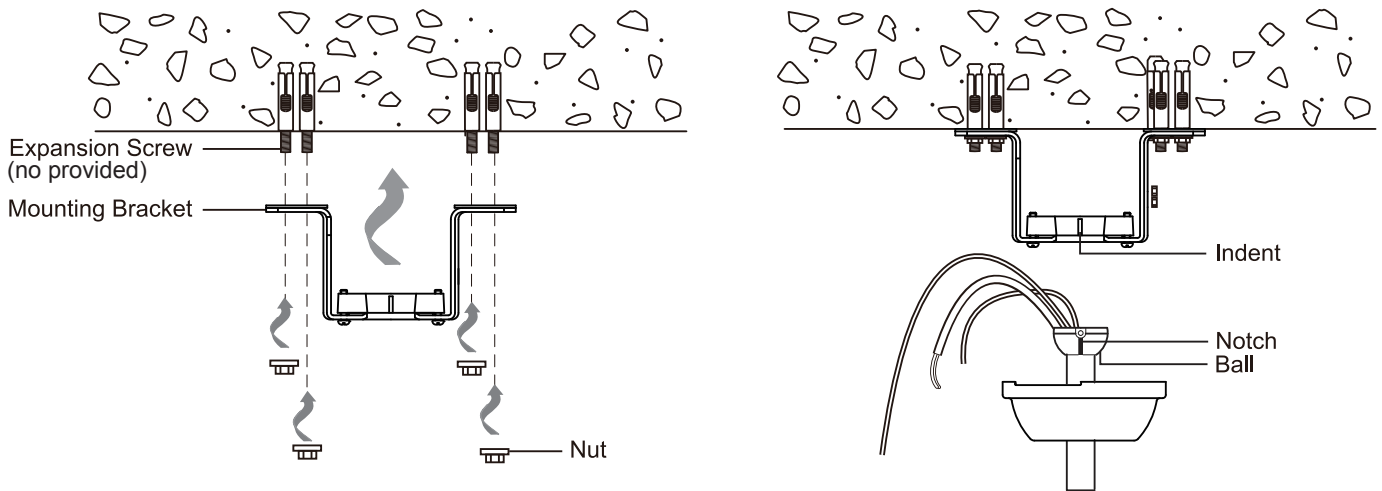


Mounting installation

IMPORTANT : SWITCH OFF THE ELECTRICAL MAINS AT THE CIRCUIT BREAKER FUSE BOX.

Step 3 -

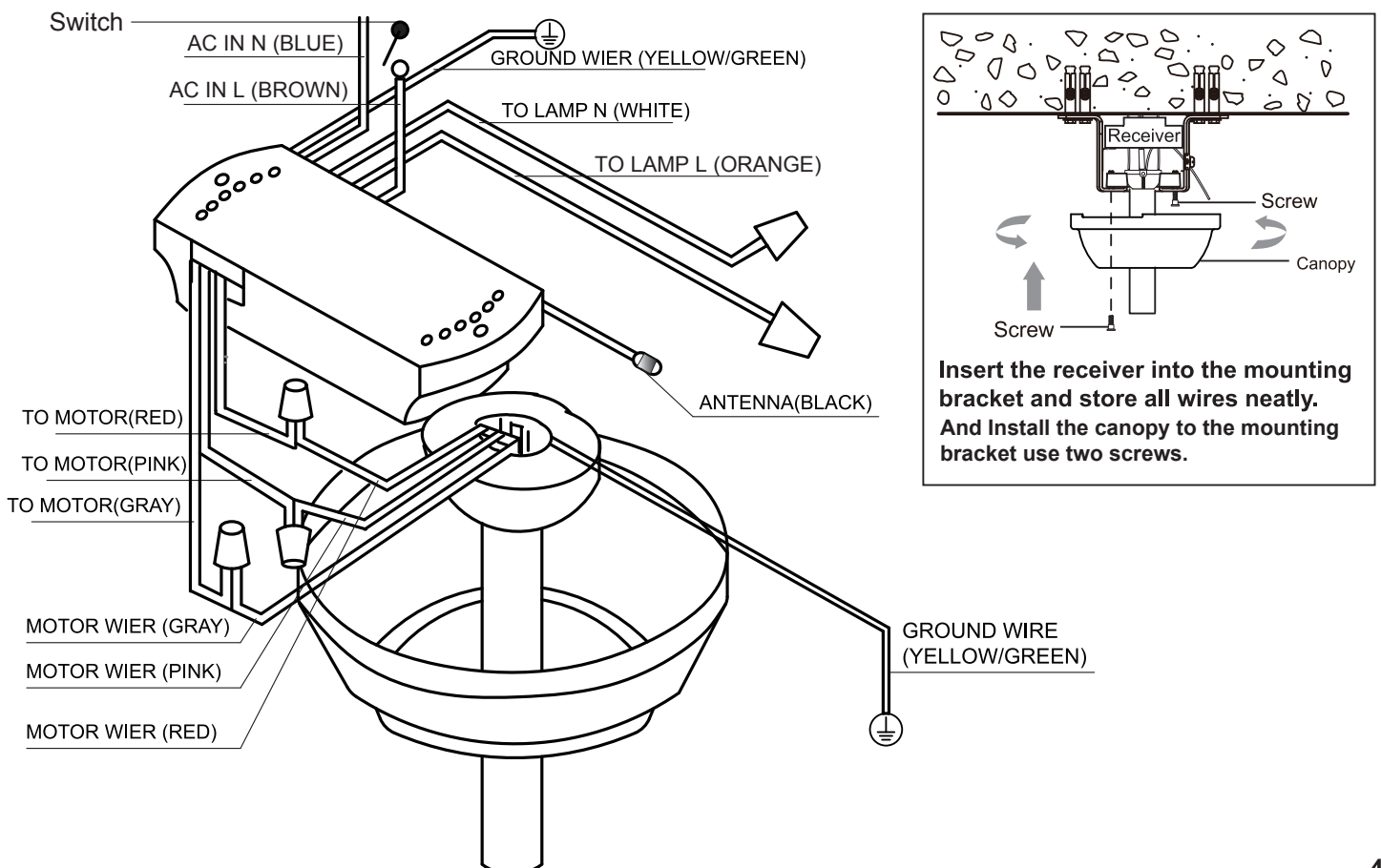
- Drill the 4 expansion screws to the concrete ceiling.
- Align the slotted holes in the mounting bracket with the expansion screws and secure with the washer and nuts.
- Raise the fan and place the ball into the mounting bracket. Align the notch on the ball with the indent in the mounting bracket. Rotate the fan until you hear the notch pop into place.



Wiring Connection

Step 4 - Connect the RED, PINK, GRAY wires from the receiver to the fan.

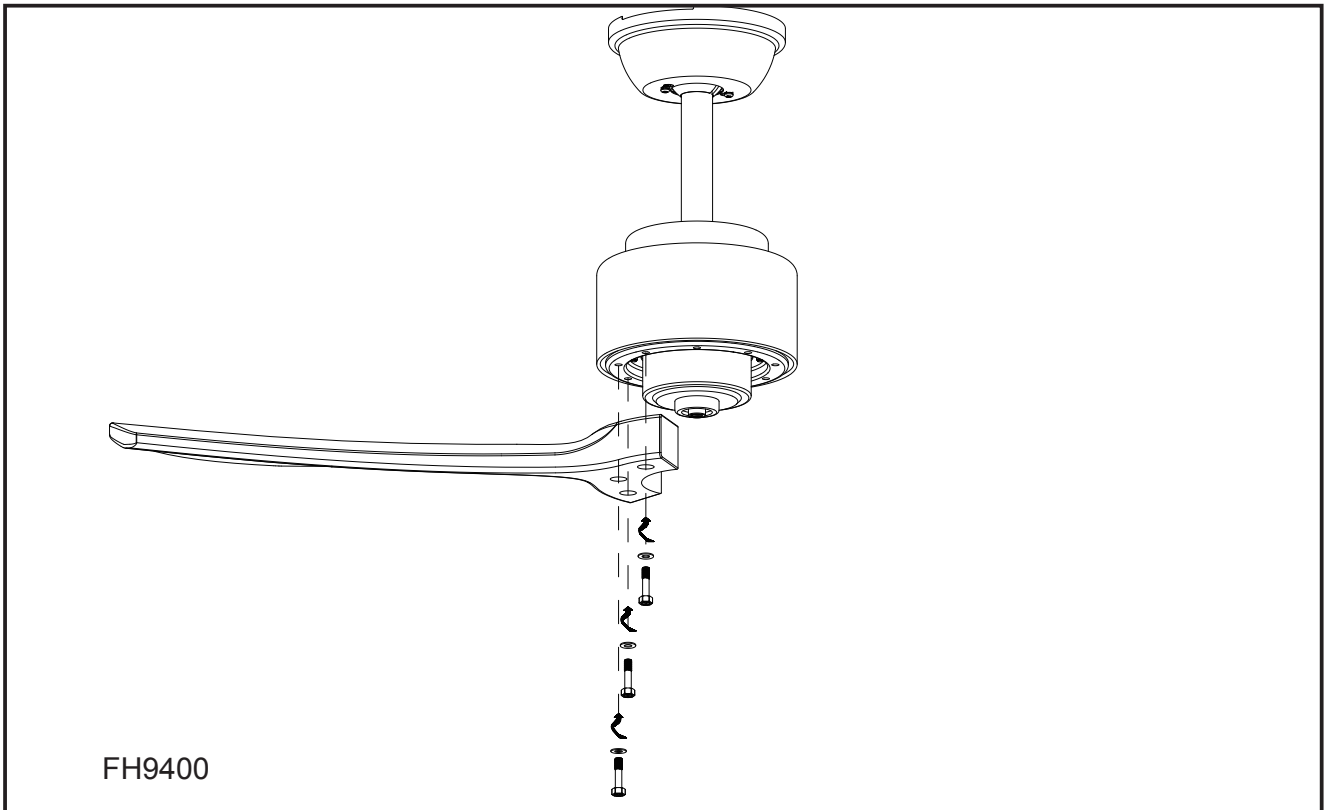
Connect the BLUE(N), BROWN (L) and green/yellow wires to the house's supply wire.



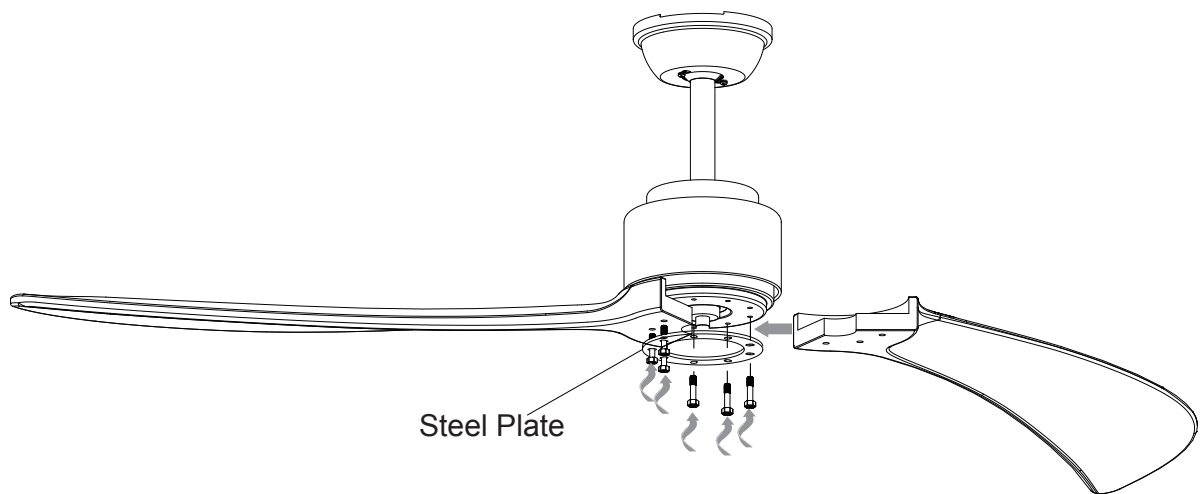
Blades Assembly

Step 5 - Remove the screws at the motor and fix the blade to the motor using these screws.

Important : Assemble the blades only after the ceiling fan is mounted on the hook.



Remove the screws at the motor and fix the blade and the steel plate to the motor using these screws.

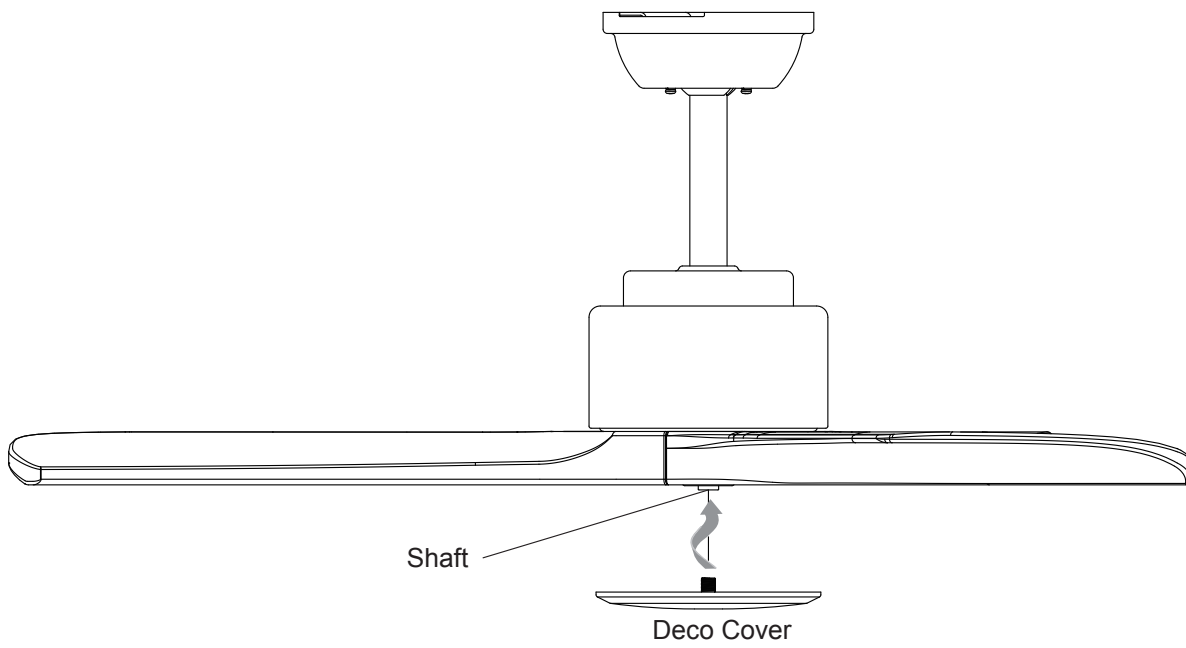


FH9601

Deco Cover Installation

Step 6

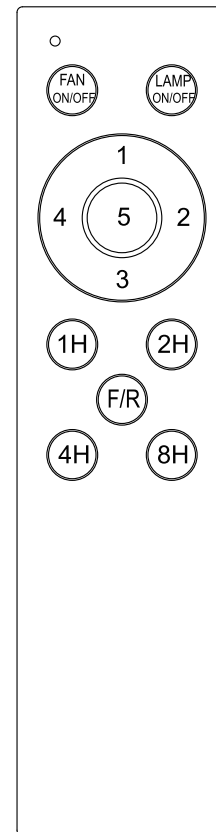
Install the deco cover to the shaft.



IMPORTANT : DO NOT CONNECT THIS REMOTE CONTROL CEILING FAN TO DIMMER SWITCH OR REGULATOR.

Function of the Transmitter

- 1H - Fan stops after 1hr
- 2H - Fan stops after 2hr
- 4H - Fan stops after 4hr
- 8H - Fan stops after 8hr
- 5 - Hightest speed
- 4 - Hight speed
- 3 - Medium speed
- 2 - Low speed
- 1 - Lowest speed
- FAN OFF - Stop the fan
- F/R - Forward / Reverse
- Light ON / OFF



Maintenance

Due to the fan's natural movement, connetions may get loose after a period of usage. To ensure a proper and safety usage, it is highly recommended to inspect and tighten all connections every 6 months.

Cleaning

Cleaning your fan periodically will prolong its new appearance. Basic cleaning procedures are as follows :

1. Use only lukewarm water. Do not use detegent, corrosive or acidic solution.
2. Damp the cloth lightly. Use only soft or lint-free cloth to clean the fan. Rough fabric will scratch the surface.
3. To cover small scratches, apply a light coat of shoe polish over it.
4. There is no need to oil the fan.