

ASSEMBLY INSTRUCTION DINING SIDE CHAIR






IMPORTANT SAFETY CONSTRUCTION

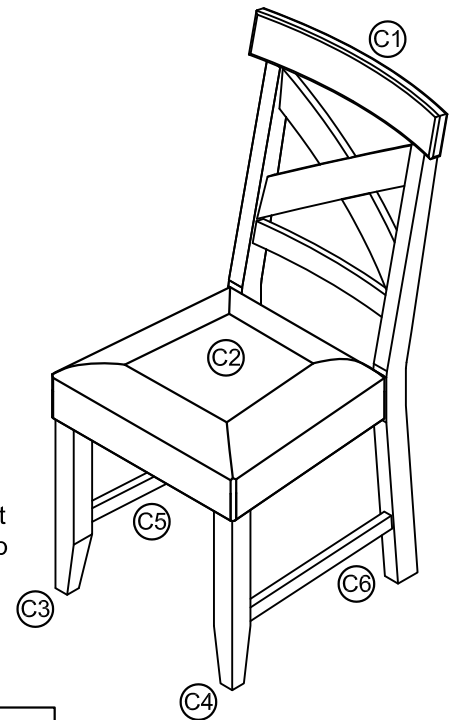
Thank you for purchasing this quality product. Be sure to check all packing material carefully for small parts that may have come loose inside the carton during shipment. Please read all instruction carefully before assembling. For your safety, assembly by two people is recommended.

PARTS INCLUDED:

- (1) Chair Back (C1)
- (1) Complete Seat (C2)
- (1) Left Front Leg (C3)
- (1) Right Front Leg (C4)
- (1) Left facing Side Stretcher (C5)
- (1) Right facing Side Stretcher (C6)

HARDWARE ENCLOSED:

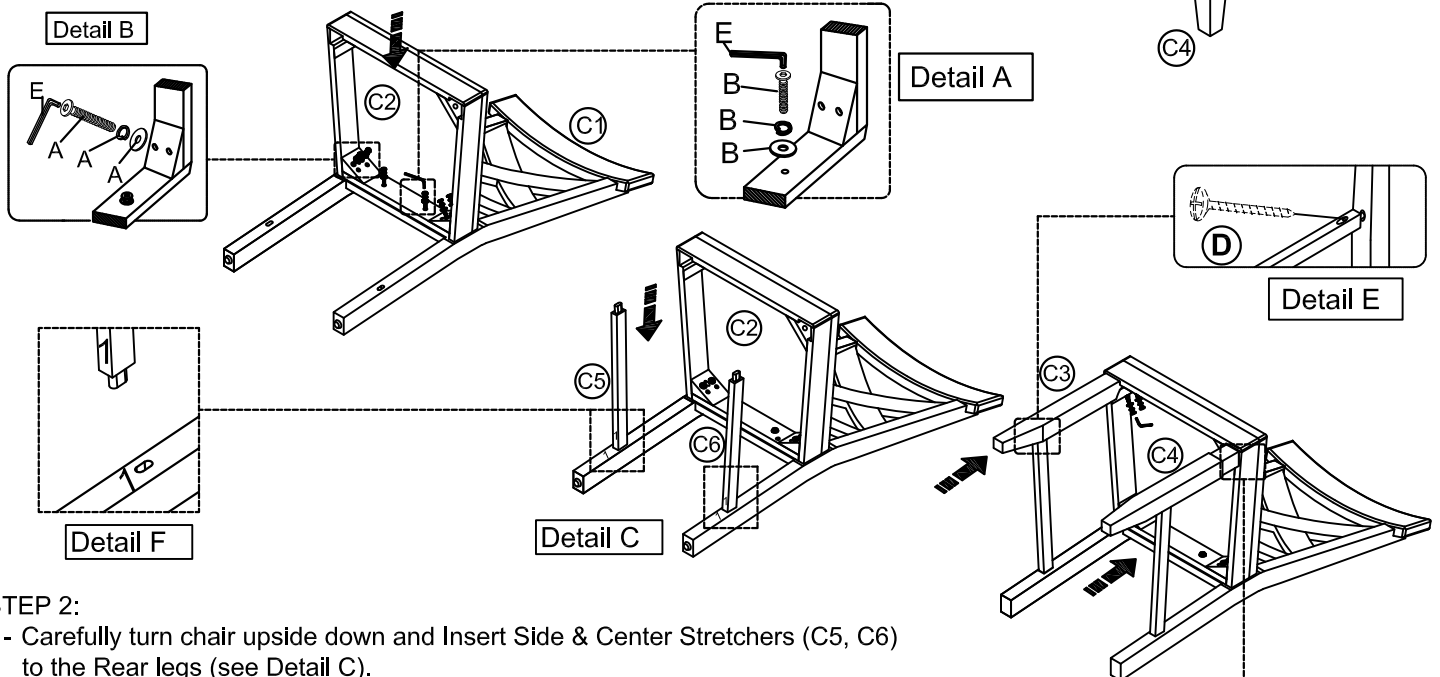
- A 4x  Ø8 x 70mm
- B 2x  Ø8 x 35mm
- C 4x  Ø8 x 45mm
- D 4x  Ø4 x 50mm
- E 1x  Ø4



ASSEMBLY INSTRUCTIONS

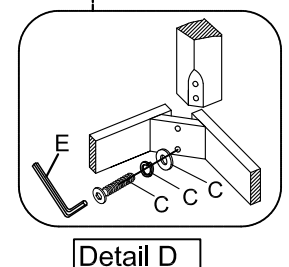
STEP 1:

- Carefully lay Chair Back flat on a smooth flat surface to prevent scratches.
- Affix Seat cushion to Backrest by inserting a Flat Washer, Lock Washer with Shortest Bolt (B) into each of the holes on the back rail of the seat, and Longest Bolt (A) into each holes of the Complete Seat corners. (See Detail A & B).
- DO NOT fully tighten at this stage until all the parts are in position



STEP 2:

- Carefully turn chair upside down and Insert Side & Center Stretchers (C5, C6) to the Rear legs (see Detail C).
- To assembly the Side Stretchers, please note the number at the stretcher MUST match with number at the legs (see detail F)
- Affix each Leg (C3,C4) to the front corners of the Seat cushion and Stretchers as shown in illustration. Place Flat Washer , Lock Washer with Bolts (C) (see detail D). Do not fully tighten at this stage until all the parts are in position.
- Fasten the Side Stretchers with Wood Screw (D) using phillip-head screwdriver (not provided). (See Detail E)
- Be sure to level the chair prior to tightening all bolts/screws



NOTES:

The use of power tools for assembly is not recommended. Power tools can damage hardware or split wood.