





# GENUINE RETRACTABLE CARGO COVER

## INSTALLATION AND USER'S INSTRUCTIONS

Thank you for purchasing a genuine Mazda accessory.  
Before removal and installation, be sure to thoroughly read these instructions.  
Please read the contents of this booklet in order to properly install and use the retractable cargo cover. Your safety depends on it.  
Keep these instructions with your vehicle records for future reference.

### **WARNING**

- There are several  **WARNING** and  **CAUTION** sections in this booklet concerning safety when installing or removing the retractable cargo cover. Always read and follow them in order to prevent injuries, accidents, and possible damage to the vehicle.
  -  **WARNING:** Indicates a situation in which serious injury or death could result if the warning is ignored.
  -  **CAUTION:** Indicates a situation in which bodily injury or damage to the vehicle could result if the caution is ignored.
- For areas indicating the tightening torque in this instruction manual, tighten to the specified torque using a torque wrench. For areas in which the tightening torque is indicated inside parentheses ( ), the tightening torque is indicated as a reference value, however tightening using a torque wrench is not necessary.
- Do not modify the retractable cargo cover.
- Do not install the retractable cargo cover in any way other than described in the following instructions.
- If in any doubt, please ask your Mazda dealer to install the accessory in order to prevent errors in installation.
- If you have any questions about the use of the accessory, ask your Mazda dealer for proper advice before using it.
- Mazda and its suppliers are not responsible for injuries, accidents, and damage to persons and property that arise from the failure of the dealer or installer to follow these instructions.
- To ensure safety and reliability of the work, installation, removal and disposal work must be carried out by an Authorized Mazda Dealership.
- Be careful not to lose removed parts and be sure that they are kept free from scratches, grease or other dirt.

**PART NAME: RETRACTABLE CARGO COVER**  
**PART NUMBER: VAS0V1350 / VA40V1350**  
**VEHICLE: MAZDA CX-50**

#### NOTE

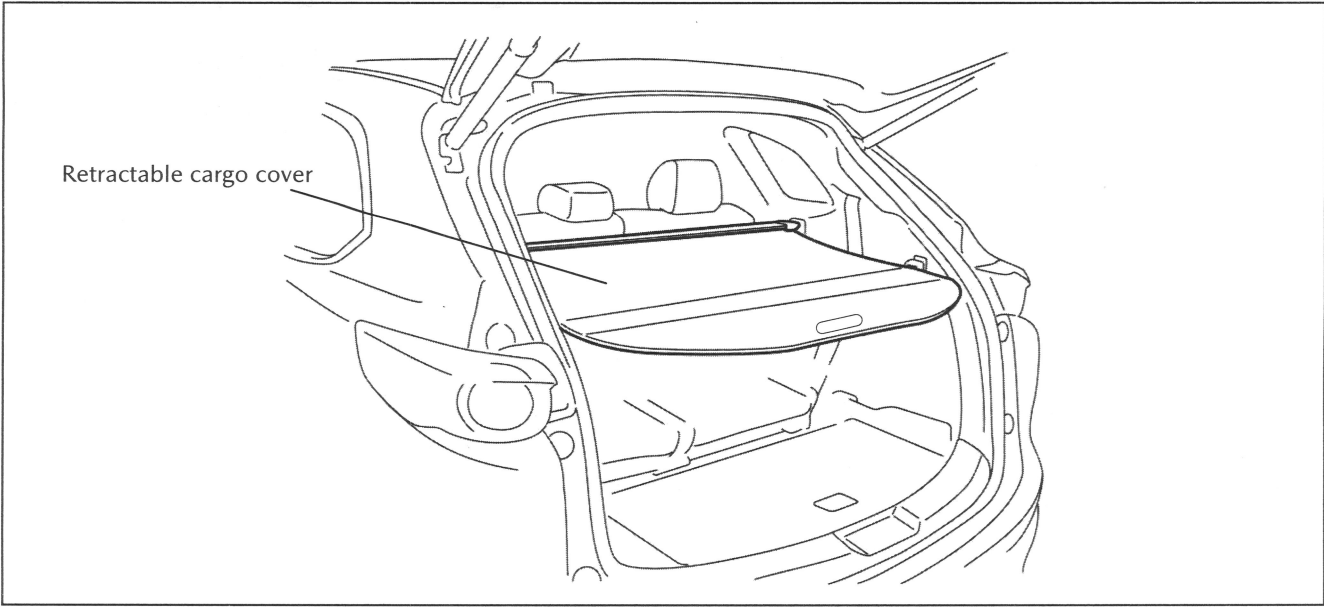
##### To the dealer

- Please turn over these instructions to the customer after installation.

##### To the customer

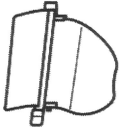
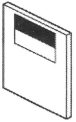
- Keep these instructions after installation. The instructions may be necessary for installing other optional parts or removal of this accessory.
- Should the vehicle or this accessory be resold, always leave these instructions with it for the next owner.

# 1. INSTALLATION VIEW



# 2. PARTS

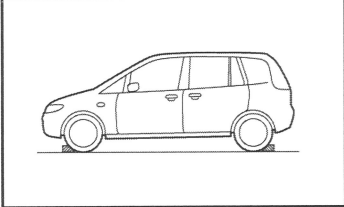
The following parts are included with the genuine Retractable Cargo Cover. Before installation, verify that the kit contains all of the following parts and that they are free of dirt, scratches, or damage.

Part	Part name	Qty.
	Retractable Cargo Cover	1
	Installation and user's Instructions	1

# 3. BEFORE INSTALLATION

## ⚠ WARNING

Park the vehicle on a flat, level surface, set the selector lever to P (AT vehicles) or the shift lever to 1st or R (MT vehicles), apply the parking brake and block the wheels so that the vehicle does not move during installation.



## ⚠ CAUTION

<p>Be sure to cover the vehicle body with protectors or mats to prevent stains, scratches and damage when removing/installing the vehicle parts</p>	<p>Using improper tools may cause damage and or broken parts. Use the correct tool for the job.</p>	<p>Put the removed parts and the parts in the kit on a protective sheet to prevent scratches.</p>

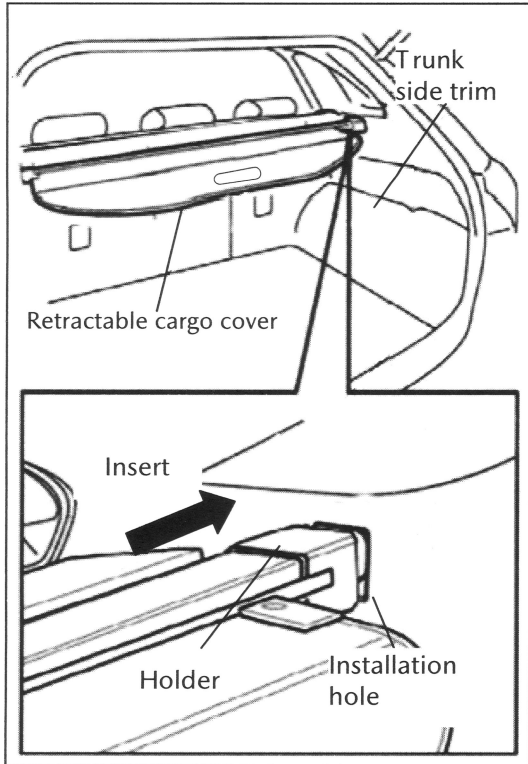
## Advice

Refer to the Workshop Manual for removal and installation of vehicle parts.



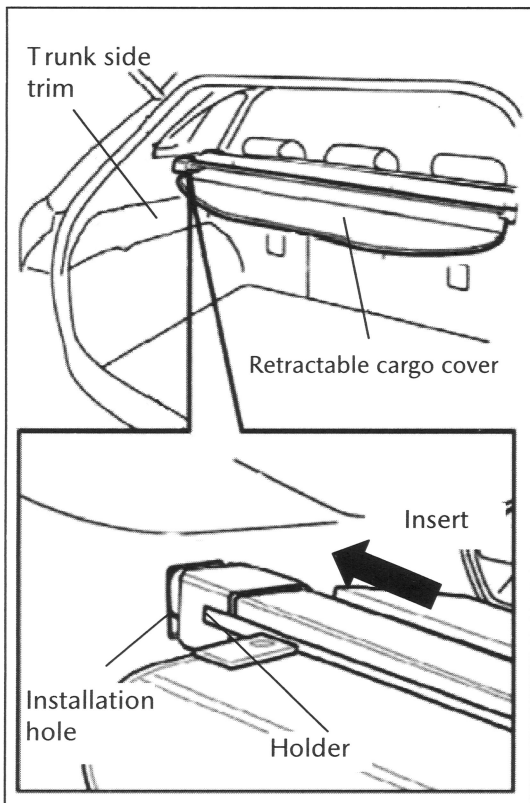
## 4. INSTALLATION METHOD

### Retractable Cargo Cover Installation method



1: Fold the seat forward.

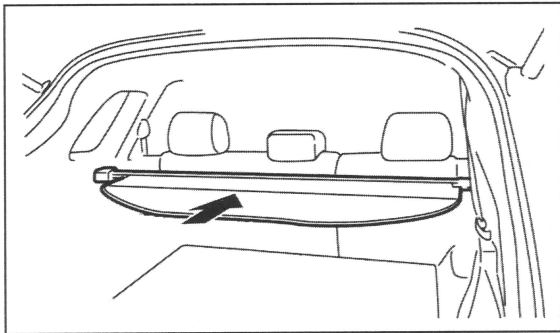
2: While pulling back on the plastic cap, Insert the right side holder of the retractable cargo cover into the trunk side trim installation receptacle.



3: While pulling back on the plastic cap, Insert the left side holder of the retractable cargo cover into the trunk side trim installation receptacle.

## 5. USER'S INSTRUCTION

### Retractable Cargo Cover Retracting/Pulling out



#### 【 Retracting the Cargo Cover 】

Remove the cover hooks from the side trim by pulling towards you until the hooks clear the side trim, retract the cover slowly into the case then secure it into the cargo cover body. The cover can be kept secured as shown in the figure.

#### ⚠ CAUTION

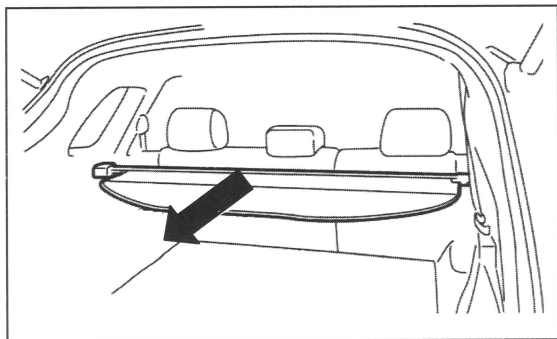
- Do not release the cover while it is being retracted as it could cause damage.
- Do not twist the cover while it is being retracted as it could cause wrinkles.

#### 【 Pulling out the cargo cover 】

Slowly pull out the cover so that it does not rub on the side trim and insert it into the catches.

#### ⚠ CAUTION

- The cover cannot be pulled down diagonally from the retractable cargo cover body.
- Verify that the cover is securely fastened. If the cover is used without it being securely fastened, it may unfasten while the vehicle is being driven and cause injury.



## 6. STORAGE METHOD

1: To remove the cover, reverse installation method step 4. When pulling out the cover, slightly pull it up diagonally.

2: Place the right side of the retractable cargo cover down diagonally, and then lower it in the direction of the arrow and store it on the trunk floor at the position shown in the figure.

#### ADVICE

- The cover cannot be stored on the trunk floor at any position other than the position shown in the figure.

3: Place the trunk board back to its original position.

#### ADVICE

- When storing the retractable cargo cover, always store it correctly and do not leave it tilted or upright.

