



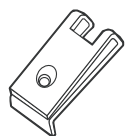
Genuine Accessories Installation Instructions

Part Number
BLMS-8M-L32

Front Mask

Applicable Models:
2010> Mazdaspeed 3

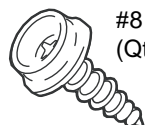
Package Contents



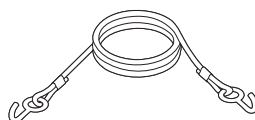
U-Nut (Qty.6)



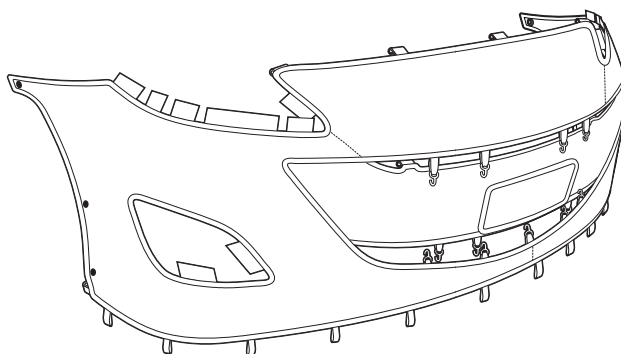
Washer (Qty. 6)



#8 Snap Head Screw
(Qty. 6)



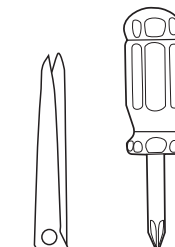
Bungee Cord (Qty. 1)



Front End Cover (Qty. 1)

Tools Required

Stubby Phillips
Screwdriver



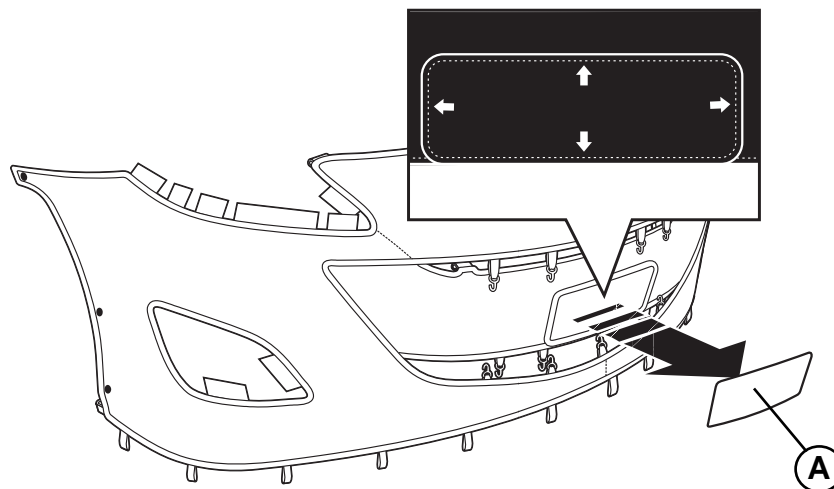
Scissors

0 Before Installation

- A. Area to be covered by mask must be clean. It is recommended that you wash and wax vehicle prior to installation.
- B. Both vehicle and mask must be completely dry prior to installation. If moisture under mask is allowed to dry on vehicle, paint may cloud.
- C. Any repainted surfaces in contact with mask must be allowed to cure completely. Consult paint manufacturer or repair facility if you are not sure.
- D. Dealers should provide all customers with a copy of these installation instructions for future reference.

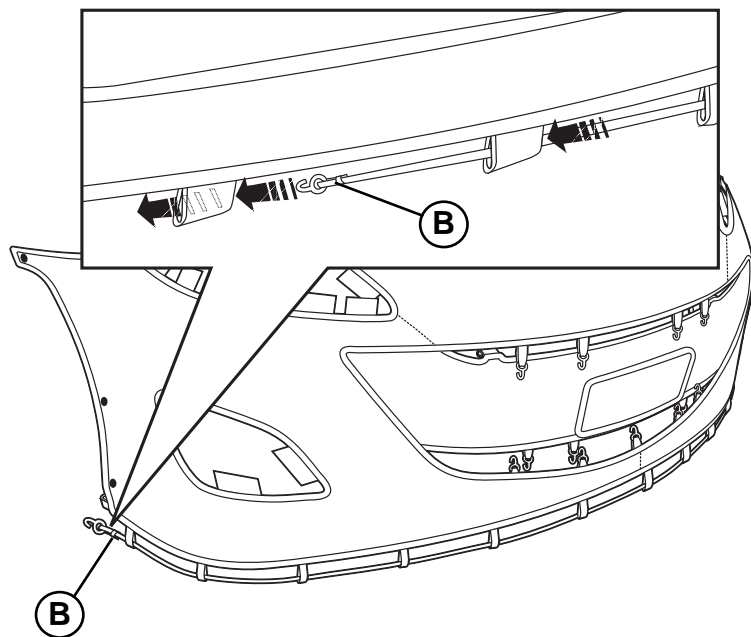
1 Cut outs on front end cover

- A. If state or provincial law requires use of front license plate, remove flap in area shown using the following method:
 - a) Using a pair of scissors and working from the back side of the mask, cut the stitching (thread) along all sides that are holding the licence plate flap (A) to mask.
 - b) Be careful not to cut the felt or thread under the flap. Improper removal of flap will result in damage to the mask.



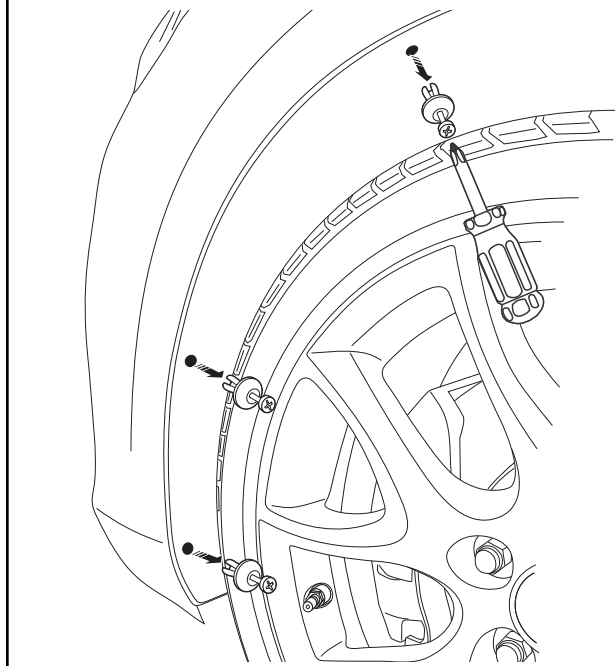
2 Feed bungee through web loops

- A. Locate separate piece of bungee with hooks (B). Feed bungee through thirteen web loops at the bottom of mask.



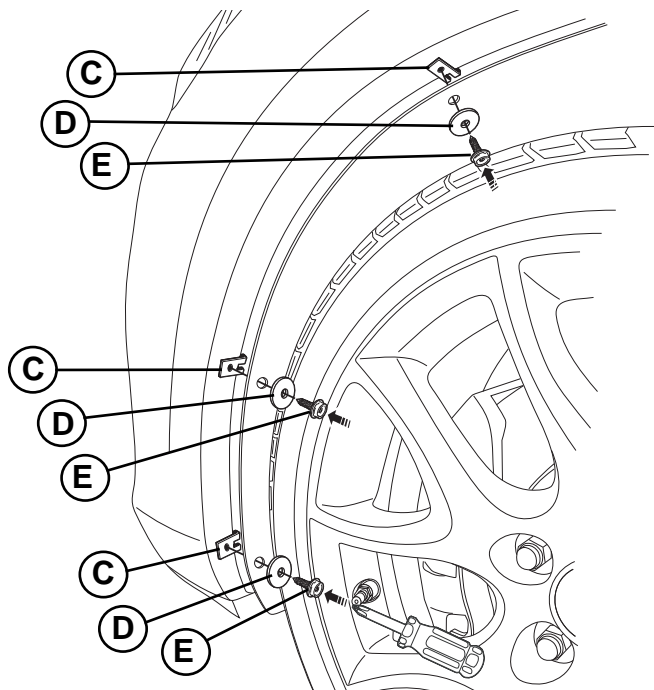
3 Remove wheel well fasteners

- A. Using stubby phillips screwdriver, remove the three plastic fasteners along front edge of both front wheel wells that correspond to snaps on mask.



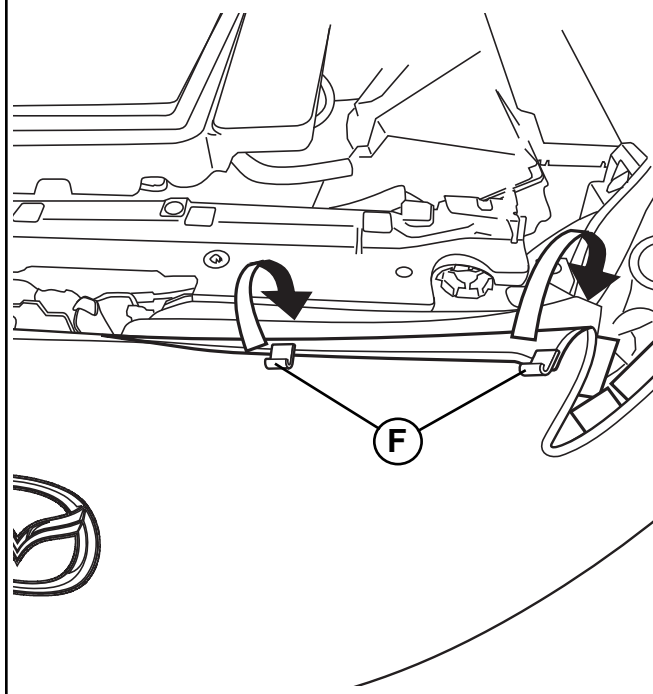
4 Install wheel well hardware

- A. In both front wheel wells, lift wheel well liner to reveal holes.
- B. Slip u-nuts (C) over holes in metal edge that correspond to the front mask. Make sure that the holes are aligned properly.
- C. Release liner to its original position. Using a stubby phillips screwdriver, install washers (D) and snap head screws (E) into holes with newly installed u-nuts (C).



5 Install upper attachments

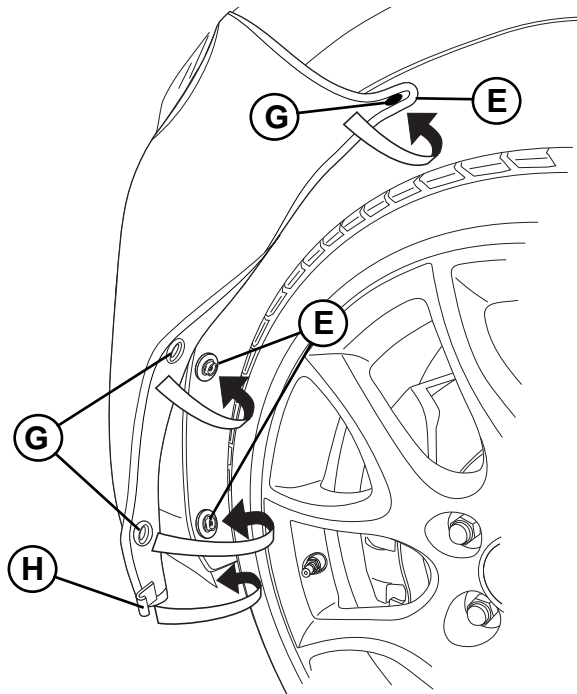
- A. With hood open, lay front end cover over front of vehicle. On both sides of hood latch, attach clips (F) to back edge of upper grill facia.



6 Install wheel well attachments

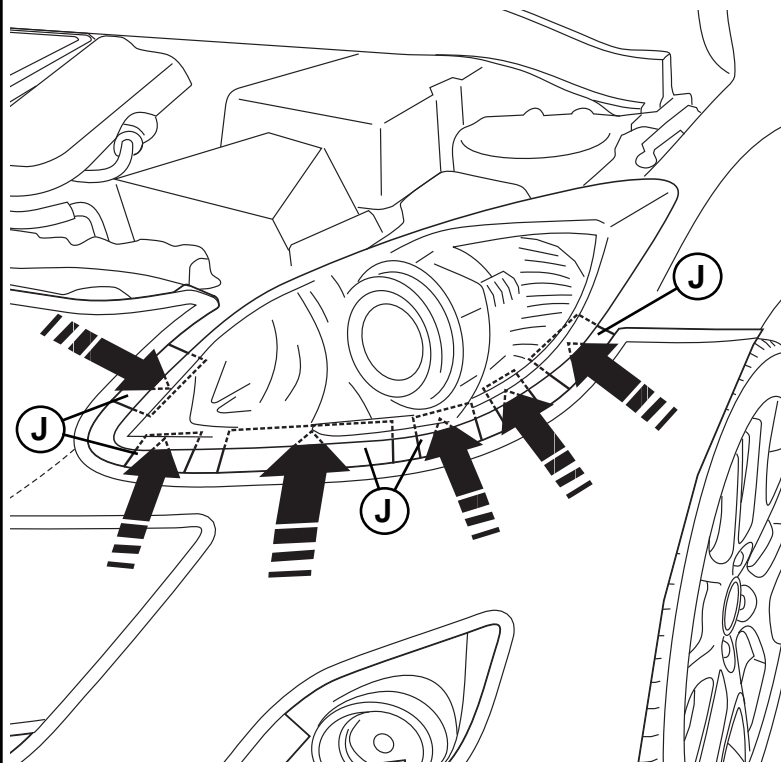
A. Press snaps (G) onto snap head screws (E) in both front wheel wells. Assistance may be required to evenly pull mask to snaps.

B. Attach clips (H) to edge of fender in both front wheel wells.



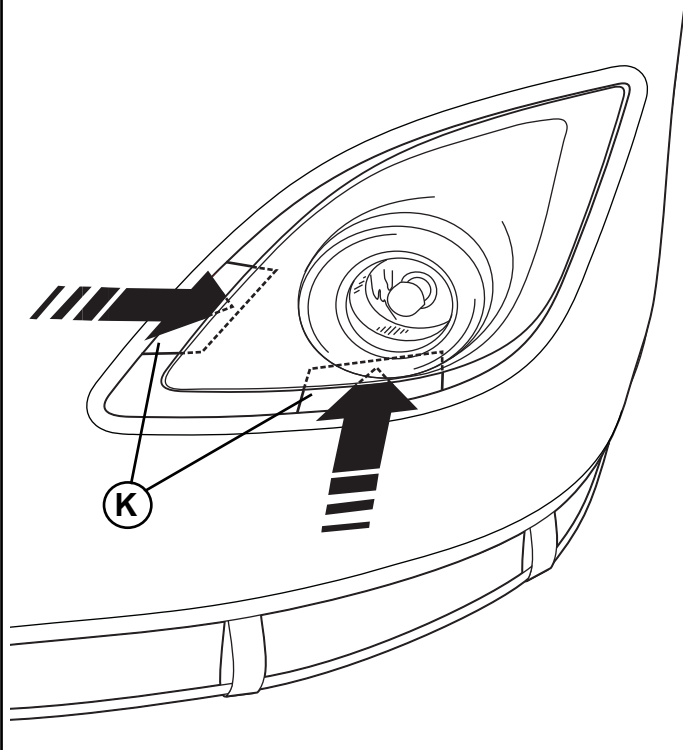
7 Install headlight attachments

A. On both sides of vehicle, insert pads (J) in slots around inside edge of headlights.



8 Install foglight attachments

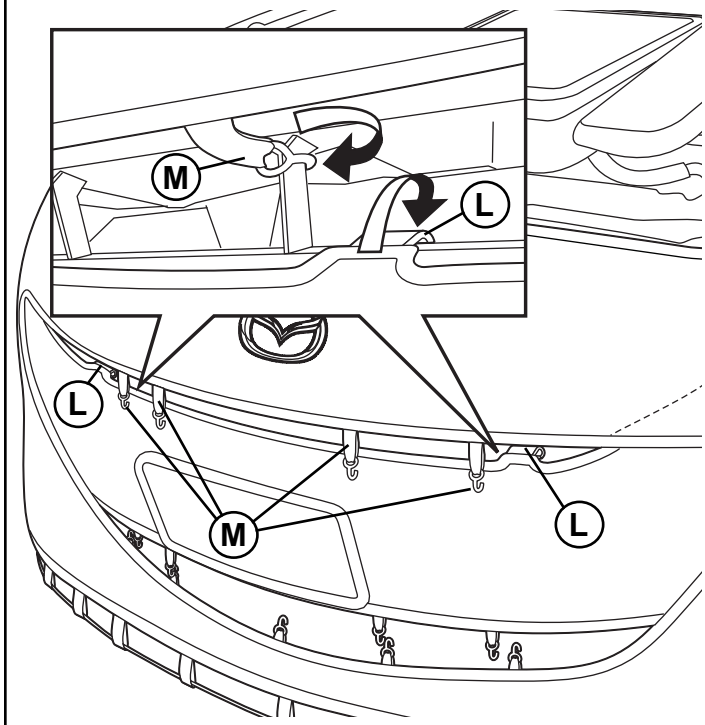
A. On both sides of vehicle, insert pads (K) in slots around inside edge of foglight facia.



9 Install upper vent attachments

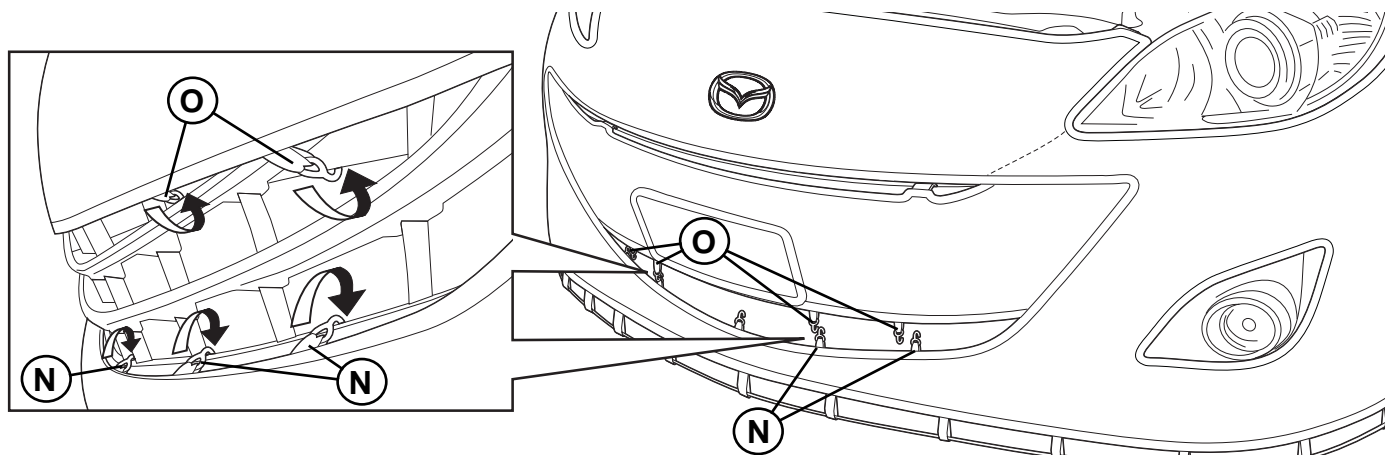
A. Attach two clips (L) to lower inside edge of upper air vent.

B. Attach four elastics with metal hooks (M) to back edge of upper vent tines.



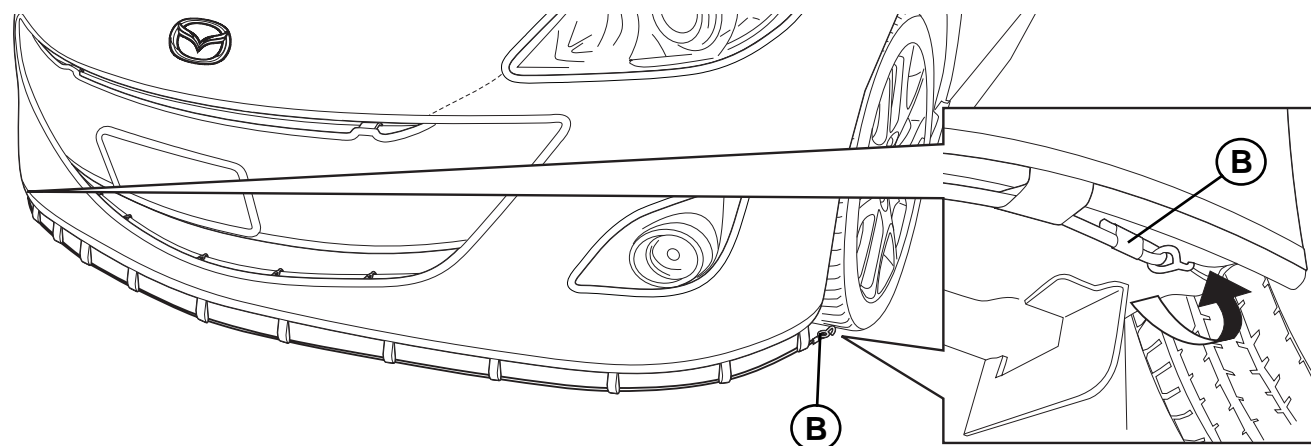
10 Install bottom vent hooks

- A. Attach five elastics with metal hooks (N) to lower inside edge of lower air intake vent.
- B. Attach four elastics with metal hooks (O) to upper inside edge of lower air intake vent.



11 Install bottom attachments

- A. With bungee cord (B) fed through thirteen web loops at the bottom of mask, Attach one hook on end of bungee into slot at bottom the inner fender. Stretch the elastic cord and attach the other hook to the slot at bottom of the inner fender on the other side.



12 Post Installation Inspection

- A. Close hood and check alignment between hood cover and front end cover along seam (between fender and hood). If adjustment is necessary, adjust the hood cover by adjusting the hood cover straps. Refer to step 1.
- B. If mask should flap due to high speed or wind conditions, adjust or remove mask completely.

13 Care and Cleaning

- A. Always remove mask before washing vehicle.
- B. Hand clean mask using mild soap, rinse thoroughly with clean water and line dry completely. Do not machine dry!
- C. Use Mazda Vinyl/Leather Protectant (or equivalent) to preserve color and finish.
- D. If mask is left on vehicle in rain, dirt can potentially be washed under the mask and could scratch the vehicle. It is recommended that the mask be removed and cleaned along with vehicle as instructed if left on during rain sleet or snow.
- E. **WARNING:** Running up on curb will damage this product. Manufacturer will not be responsible for damage to product due to accident or misuse.