

mazda[®]
GENUINE ACCESSORIES

INSTALLATION INSTRUCTIONS

PART NUMBER:
0000-8T-L31

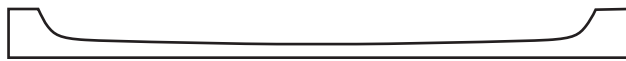
Scuff Plate

APPLICABLE MODELS:
2014≥ MAZDA 3

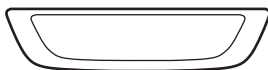
PACKAGE CONTENTS:



FRONT SCUFF PLATE (Qty 2)



FRONT TEMPLATE (Qty 2)



REAR SCUFF PLATE (Qty 2)



REAR TEMPLATE (Qty 2)

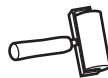
TOOLS REQUIRED:



50% ISOPROPYL
ALCOHOL/RESIDUE
FREE CLEANER



LINT FREE CLOTH



RUBBER ROLLER



MASKING TAPE

⚠ CAUTION: Failure to install this part correctly could result in damage to the vehicle and/or injury to the customer. Make sure to follow the instructions properly to ensure a good installation. Read entire installation instructions before proceeding.

1. Prepare Vehicle

- A. Vehicle and scuff plate should be at 13 degree Celsius – 32 degrees Celsius (55 degrees Fahrenheit – 90 degrees Fahrenheit) for best results.
- B. Clean all dirt or other contaminants from surface.
- C. Using alcohol and cloth thoroughly clean surface to be adhered to.
- D. Allow sill area to completely air dry.

FRONT SCUFF PLATE INSTALLATION

1. Position Template.

A. Place Template into position at the sill area (Figure 1).

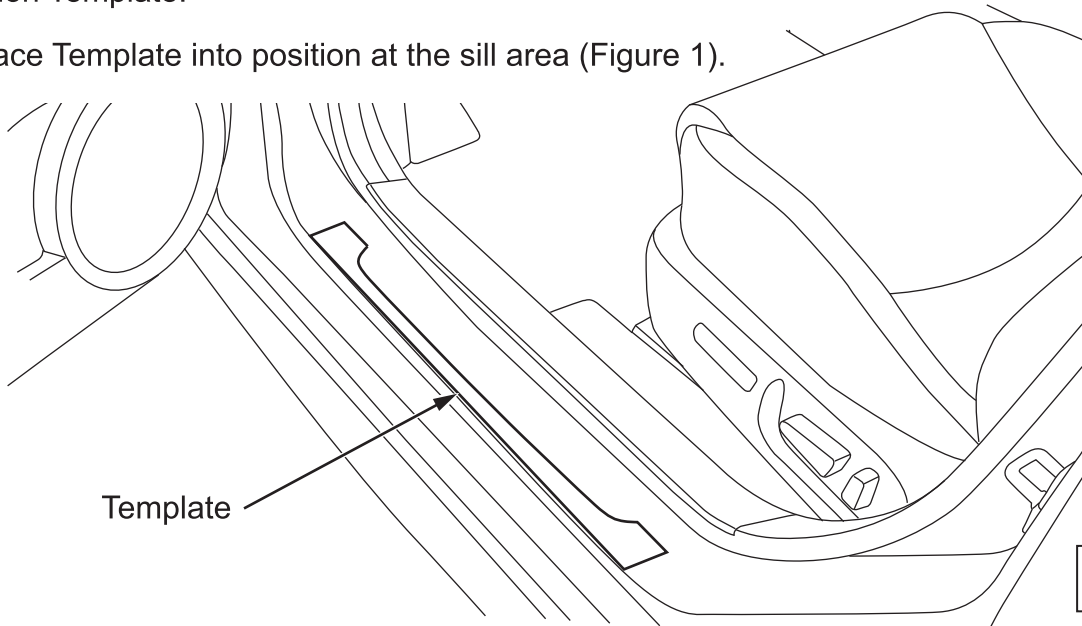


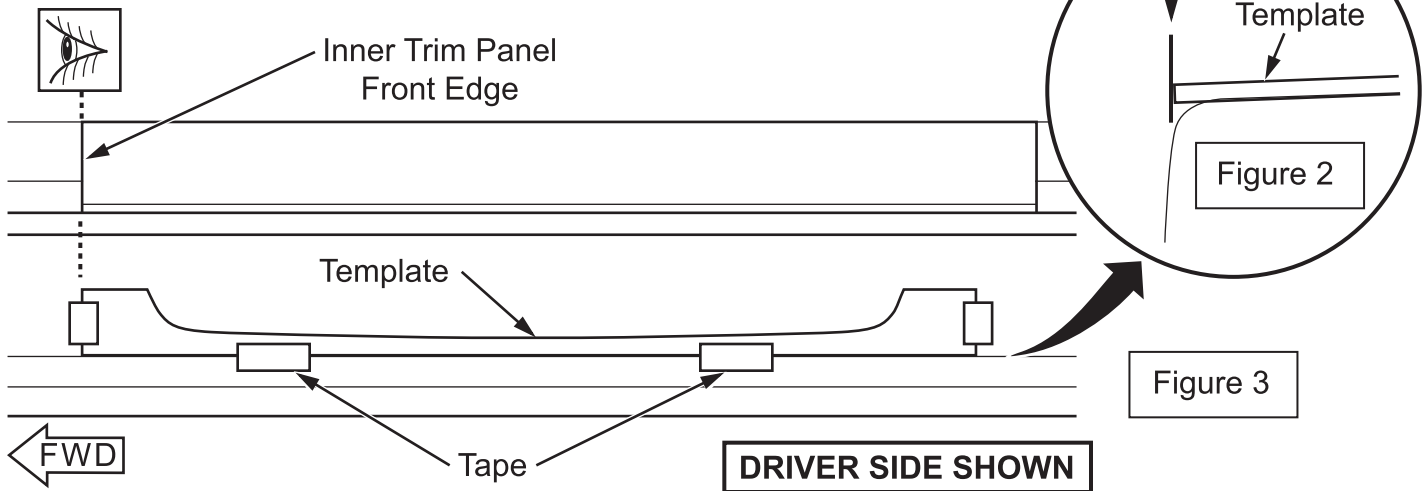
Figure 1

2. Position Template.

A. Visually align the Template with the front edge of the inner door sill trim panel.

B. Align the outer edge of the Template with the flat outer edge of the door sill (Figure 2).

C. Tape into place (Figure 3).



3. Scuff Plate Preparation:

A. Remove the adhesive backing from Scuff Plate and discard. (Figure 4)

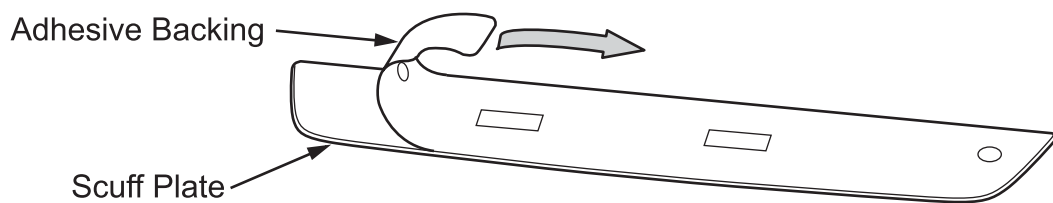


Figure 4

4. Place Scuff Plate:

- A. Carefully align Scuff Plate with the Cardboard Template and press down flat into position (Figure 5).
- B. Remove the Template.

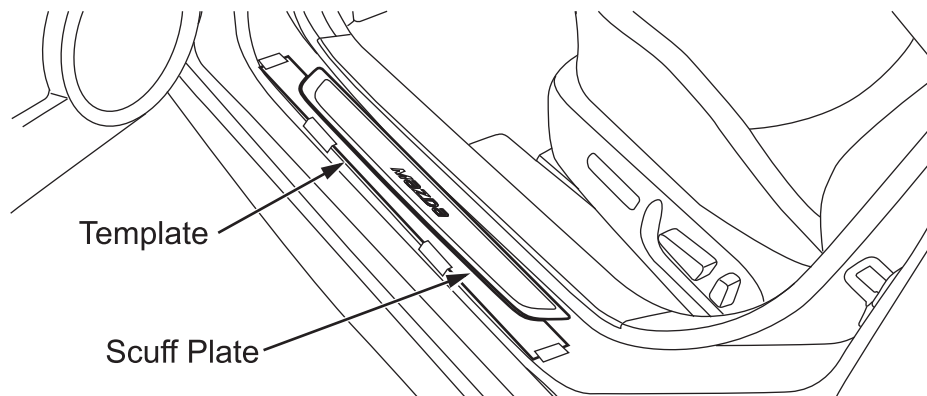


Figure 5

5. Apply Pressure to Placed Scuff Plate:

- A. Use Rubber Roller, from center out, press down the perimeter of part to ensure proper wet-out of adhesive. (Figure 6) (Use caution to ensure roller does not scratch vehicle)
- B. Wipe Clean the Scuff Plate and Sill Area of all marks and other debris.

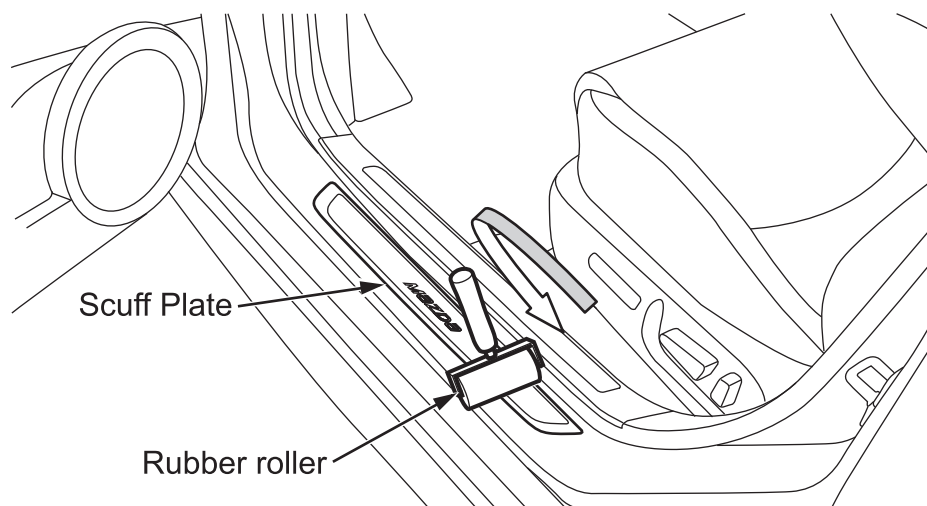


Figure 6

- 6. Inspect for proper adhesion and placement: verify the part is not loose at any corner, and that the part is located parallel to the sill panel down turn.

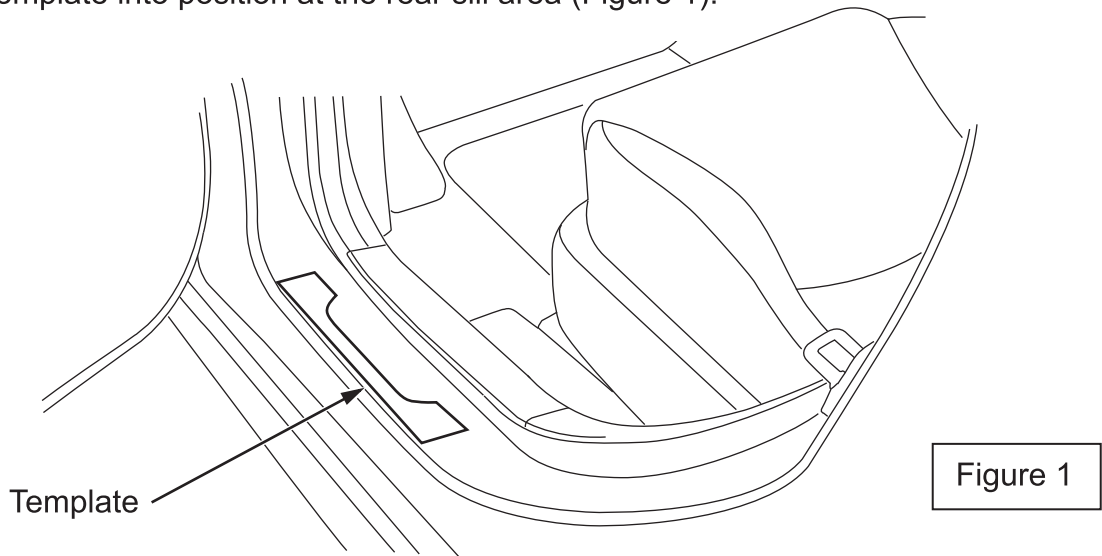
7. Installation of Passenger Side Scuff Plate:

- A. Repeat Previous steps for passenger side.

REAR SCUFF PLATE INSTALLATION

1. Position Template.

A. Place Template into position at the rear sill area (Figure 1).

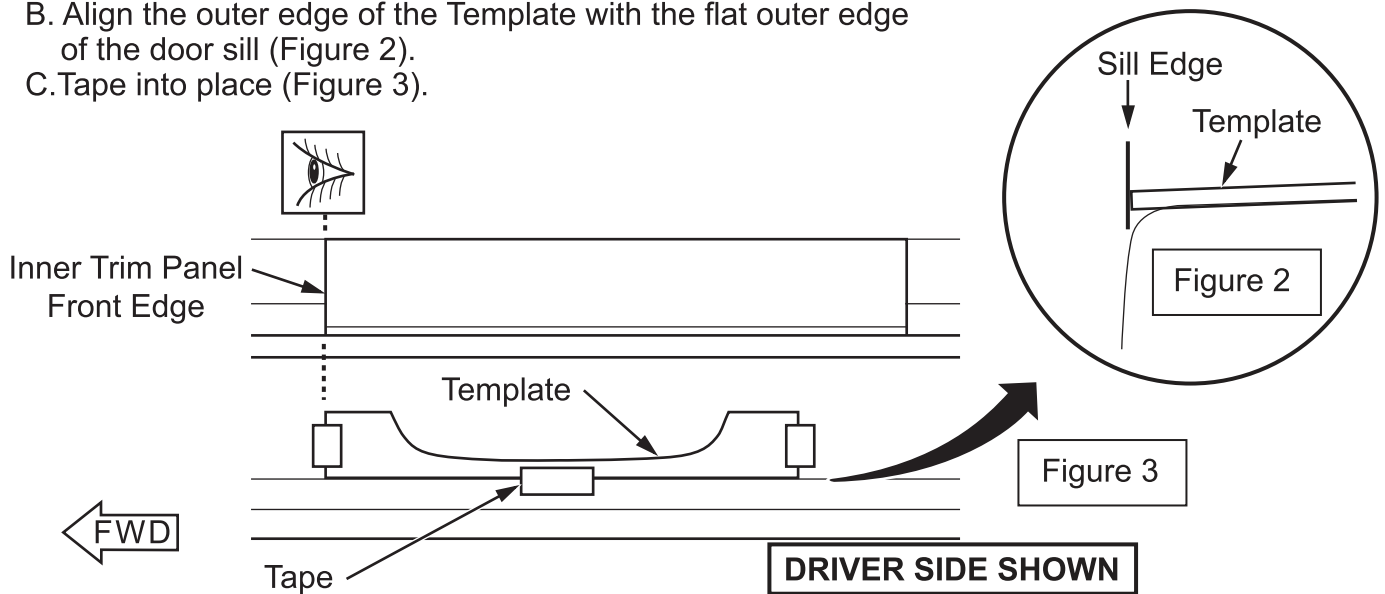


2. Position Template.

A. Visually align the Template with the front edge of the inner door sill trim panel.

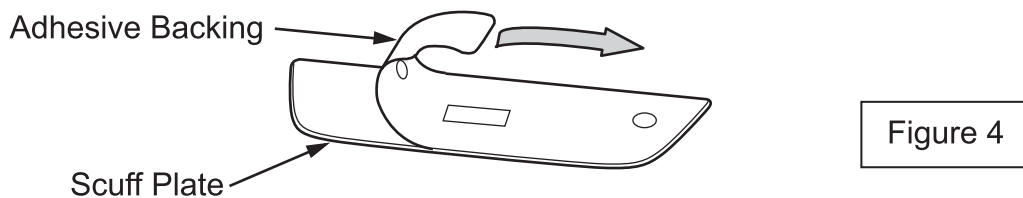
B. Align the outer edge of the Template with the flat outer edge of the door sill (Figure 2).

C. Tape into place (Figure 3).



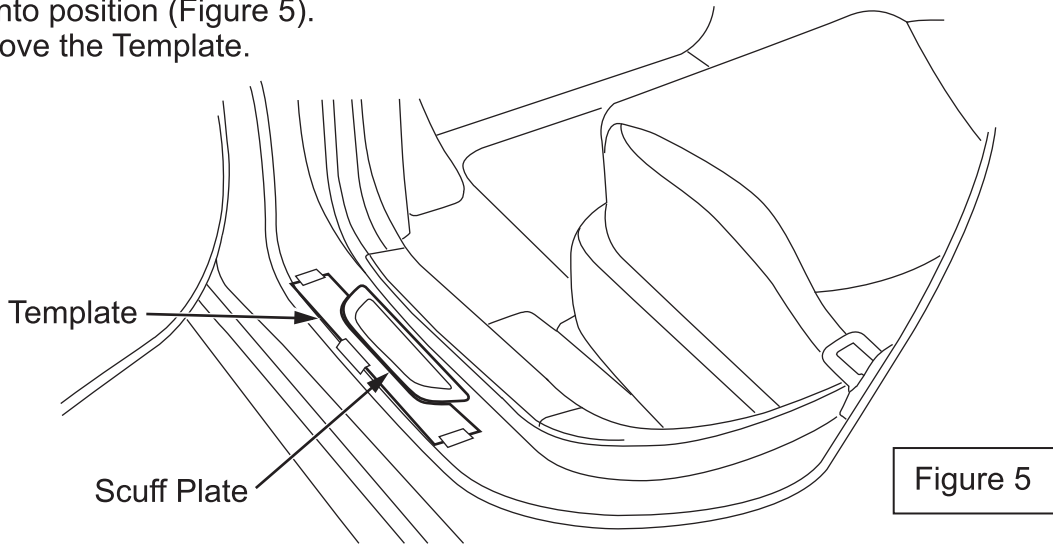
3. Scuff Plate Preparation:

A. Remove the adhesive backing from Scuff Plate and discard. (Figure 4)



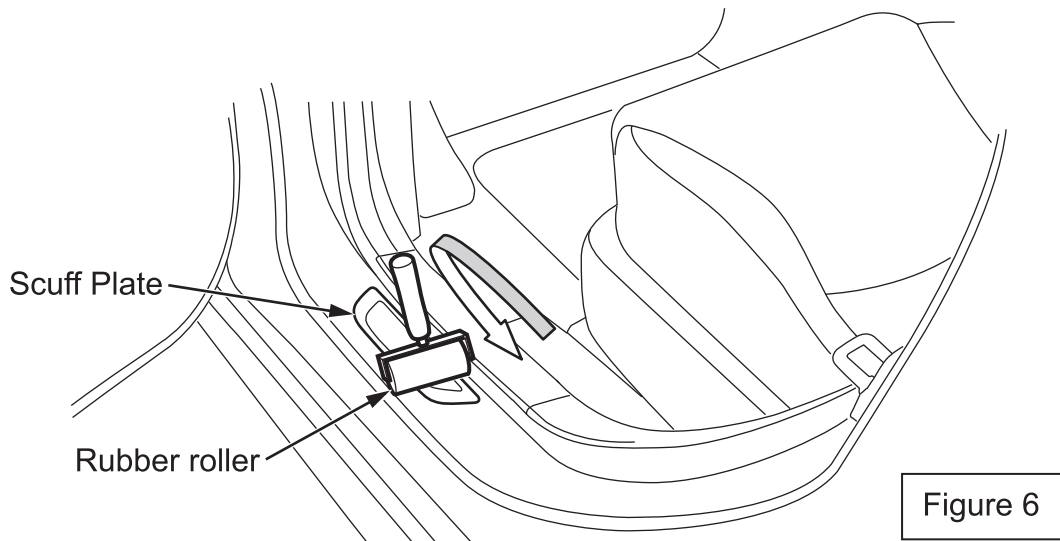
4. Place Scuff Plate:

- A. Carefully align Scuff Plate with the Cardboard Template and press down flat into position (Figure 5).
- B. Remove the Template.



5. Apply Pressure to Placed Scuff Plate:

- A. Use Rubber Roller, from center out, press down the perimeter of part to ensure proper wet-out of adhesive. (Figure 6) (Use caution to ensure roller does not scratch vehicle)
- B. Wipe Clean the Scuff Plate and Sill Area of all marks and other debris.



- 6. Inspect for proper adhesion and placement: verify the part is not loose at any corner, and that the part is located parallel to the sill panel down turn.

7. Installation of Passenger Side Scuff Plate:

- A. Repeat Previous steps for passenger side.

Installation Inspection Sheet

[To be used by installation workshop]

Mazda 3	Scuff Plates
	2014>, All models

Inspection items after installation
Inspect the installed parts per the items listed below.

Section to be inspected	Inspection item (circle)		
	Gap & fit	Scratches/stains	Tape residue/fingerprints
Front Scuff Plate	<input type="radio"/>	<input type="radio"/>	<input type="radio"/>
Rear Scuff Plate	<input type="radio"/>	<input type="radio"/>	<input type="radio"/>

Date		(year/month/day)			
VIN No.					
Approved		Checked		Prepared	

❖ Retention period of this sheet: 12 months