

GENUINE REAR BUMPER GUARD

INSTALLATION AND USER'S INSTRUCTIONS

Thank you for purchasing a Genuine Mazda Accessory.
Before removal and installation, please thoroughly read these instructions.
For your safety, please read the contents of this booklet to properly install and use the bumper guard kit.
Keep these instructions with your vehicle records for future reference.



! There are several **⚠WARNING** and **⚠CAUTION** sections in this booklet concerning safety when installing the rear bumper guard. Always read and follow the instructions in order to prevent injuries, accidents, and possible damage to the vehicle.

⚠ WARNING: Indicates a situation in which serious injury or death could result if the warning is ignored.

⚠ CAUTION: Indicates a situation in which bodily injury or damage to the vehicle could result if the caution is ignored.

! Do not modify the rear bumper guard.

! Do not install the rear bumper guard in any way other than described in the following instructions.

! If in doubt, please contact your Mazda dealer to install the accessory in order to prevent errors in installation.

! If you have any questions about the use of the accessory, ask your Mazda dealer for proper advice before using it.

! Mazda and its suppliers are not responsible for injuries, accidents, and damage to persons and property that arise from the failure of the dealer or installer to follow these instructions.

! To ensure safety and reliability of the work, installation, removal and disposal work must be carried out by an Authorized Mazda Dealership.

! Be careful not to lose removed parts, and be sure that they are kept free of dirt, scratches, or damage.

PART NAME:	REAR BUMPER GUARD
PART NUMBERS:	BCKAV4080 / BCKNV4080
VEHICLES:	MAZDA 3 Sedan / HatchBack

NOTE

To the dealer

! Please turn over these instructions to the customer after installation.

To the customer

! Keep these instructions after installation. The instructions may be necessary for installing other optional parts or removal of this accessory.

! Should the vehicle or this accessory be resold, Always transfer these instructions to the next owner.

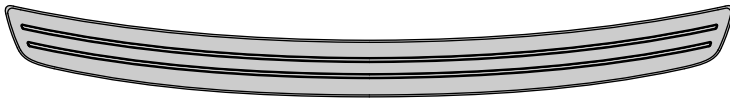
INSTALLATION INSTRUCTIONS

PART NUMBERS:
BCKAV4080 / BCKN4080

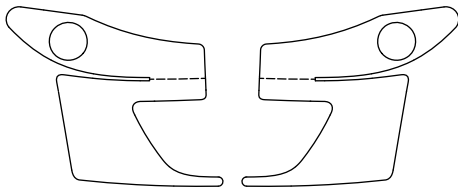
Rear Bumper Guard

APPLICABLE MODELS:
2018> Mazda 3 Sedan / HatchBack

PACKAGE CONTENTS:



REAR BUMPER GUARD X1



TEMPLATE X2



ALCOHOL PREP PAD X1

Tools Required:



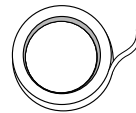
50% ISOPROPYL
ALCOHOL RESIDUE
FREE CLEANER



SOFT LINT FREE CLOTH



RUBBER ROLLER



MASKING TAPE



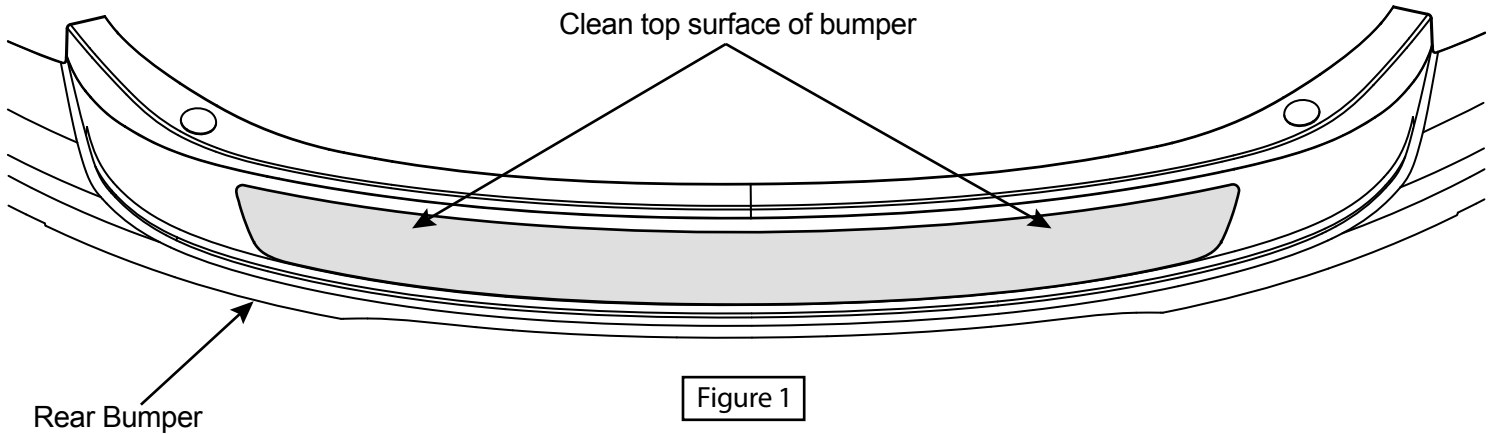
CAUTION: Make sure to follow the instructions carefully to ensure correct installation.

BEFORE INSTALLATION:

1. Read entire Installation Instructions before proceeding.
2. Vehicle must be at room temperature. This is recommended to allow the tape to adhere in temperatures over 50°F for at least 30 minutes.
3. Clean the area around the installation area prior to installation using a mixture of 50/50 isopropyl alcohol and water.
4. Allow vehicle to dry.

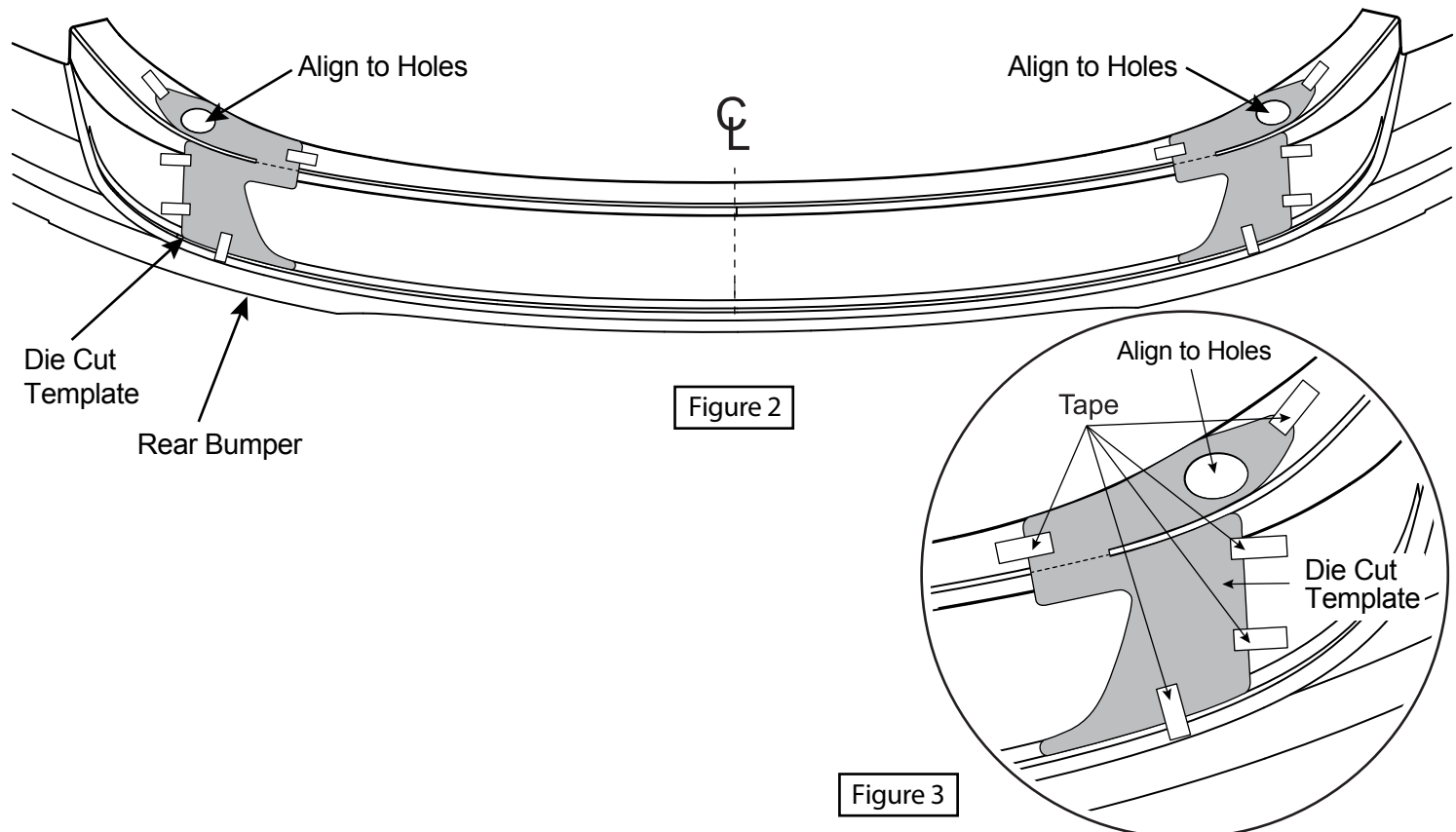
1. Prepare Bumper:

- A. Open lift gate/trunk.
- B. Clean the tape attachment areas on the bumper thoroughly with the alcohol prep pad provided and allow to dry.



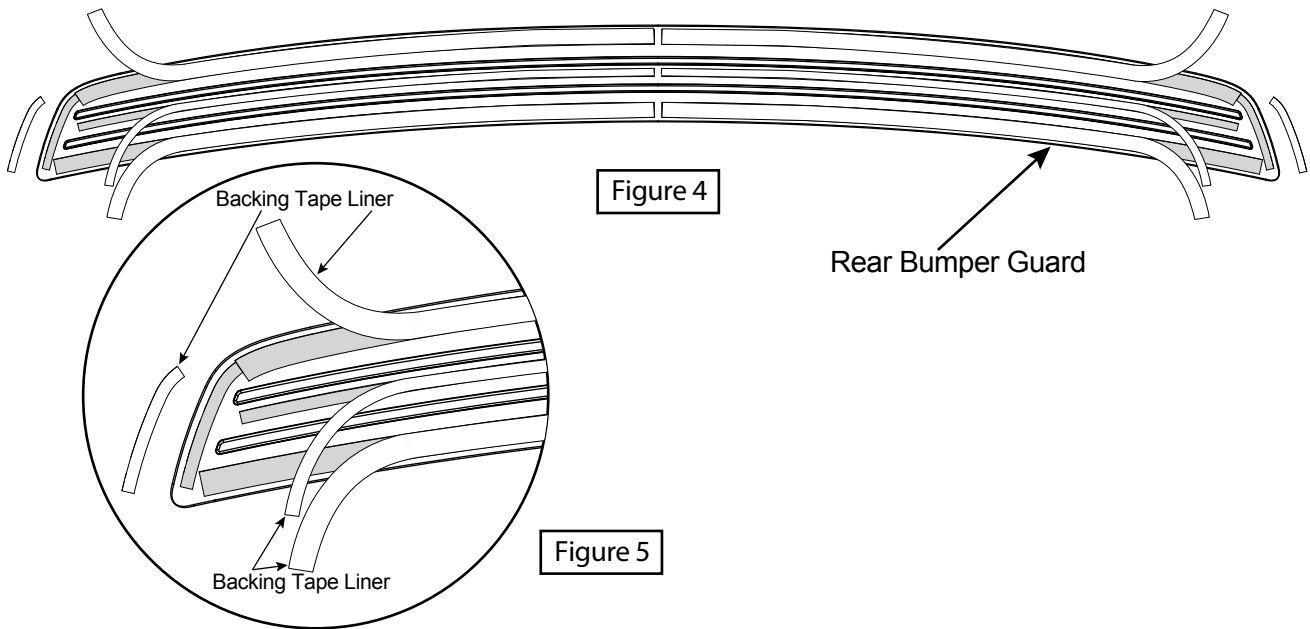
2. Position Side Templates:

- A. Fold the die cut templates at the dotted lines.
- B. Place the die cut templates into position at the rear bumper, aligning to the holes. (Figure 2).
- C. Tape into place (Figure 3).



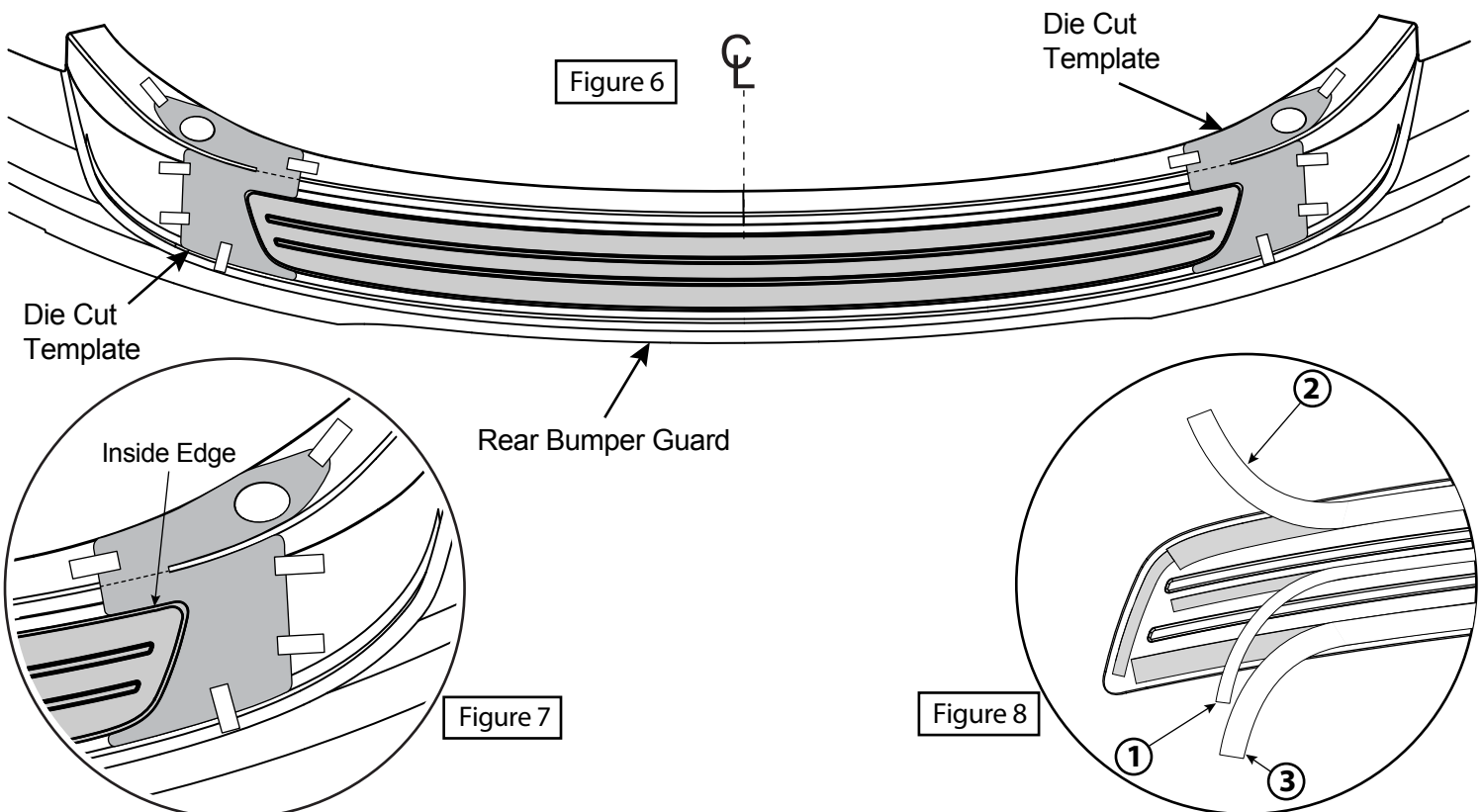
3. Prepare Bumper Guard:

- A. Peel back the backing tape liner from each of the tape sections and fold at 45°, approximately 50mm (2") outside of the Rear Bumper Guard (Figure 4).
- B. Fully remove the two backing tape liners from each end (Figure 5).
- C. Do not touch the exposed surface of the backing tape.



4. Trial Fit Rear Bumper Guard:

- A. Trial Fit the Rear Bumper Guard by aligning the center mark of the part with the trunk latch (Figure 6) and align with the die cut templates. Ensure that the adhesive tape does not overlap the die cut templates (Figure 7).
- B. Apply light pressure to the tape areas.
- C. Peel the backing tape liner away in the order shown in Figure 8.



5. Apply Pressure to Rear Bumper Guard:

- A. Remove die cut templates and tape.
- B. Using a rubber roller, starting from the center out, press down the perimeter of part to ensure proper bond of adhesive (Figure 9). **(Use caution to ensure roller does not scratch vehicle).**
- C. Inspect for proper adhesion and placement. Verify the part is not loose at any corner.
- D. Wipe the Rear Bumper Guard and Bumper area.

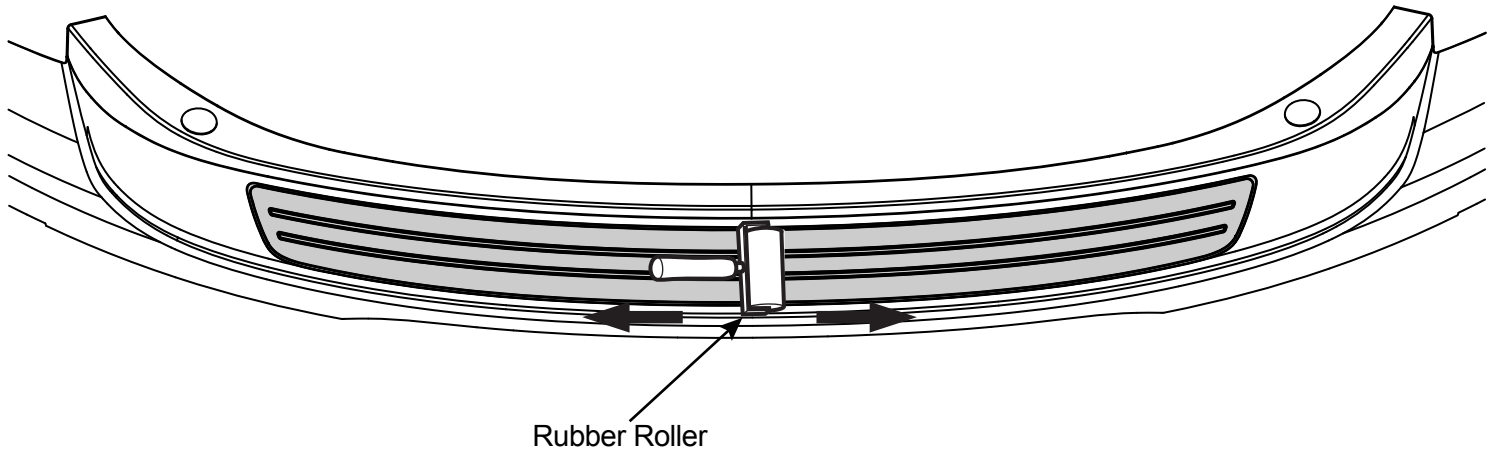


Figure 9

NOTE: Do not wash vehicle through an automatic car wash for at least 24 hours.

INSTALLATION INSPECTION SHEET

REAR BUMPER GUARD`

BCKAV4080 (Mazda 3 Sedan)
 BCKNV4080 (Mazda 3 HatchBack)

Inspection after installation

- Inspect the installed / reinstalled parts for the following items.

Inspection Parts	Check Item (o)			
	Clearance / Fit	Scratches / Dirt	Installation / Engagement	Operation Check
Rear Bumper Guard (Steel)	o	o	o	
Rear Bumper		o	o	

Date:		
Vin:		
Approved	Checked	Person in Charge