

GENUINE SPLASH GUARD (FRONT)

INSTALLATION INSTRUCTIONS

Thank you for purchasing a Genuine Mazda Accessory.

Before removal and installation, Please thoroughly read these instructions.

For your safety, please read the contents of this booklet to properly install and use the splash guard (front).

Keep these instructions with your vehicle records for future reference.



- There are several **⚠️WARNING** and **⚠️CAUTION** sections in this booklet concerning safety when installing or removing the splash guard (front). Always read and follow the instructions in order to prevent injuries, accidents, and possible damage to the vehicle.

⚠️WARNING : Indicates a situation in which serious injury or death could result if the warning is ignored.

⚠️CAUTION : Indicates a situation in which bodily injury or damage to the vehicle could result if the caution is ignored.

- Do not modify the splash guard (front).
- Do not install the splash guard (front) in any way other than described in the following instructions.
- If in doubt, please contact your Mazda dealer to install the accessory in order to prevent errors in installation.
- If you have any questions about the use of the accessory, ask your Mazda dealer for proper advice before using it.
- Mazda and its suppliers are not responsible for injuries, accidents, and damage to persons and property that arise from the failure of the dealer or installer to follow these instructions.
- To ensure safety and reliability of the work, installation, removal and disposal work must be carried out by an Authorized Mazda Dealership.
- Be careful not to lose removed parts, and be sure that they are kept free of dirt, scratches, or damage.

PART NAME: SPLASH GUARD (FRONT)
PART NUMBER: KMV6 V3-450, KEME-V3-450
VEHICLE: MAZDA CX-90

NOTE

To the dealer

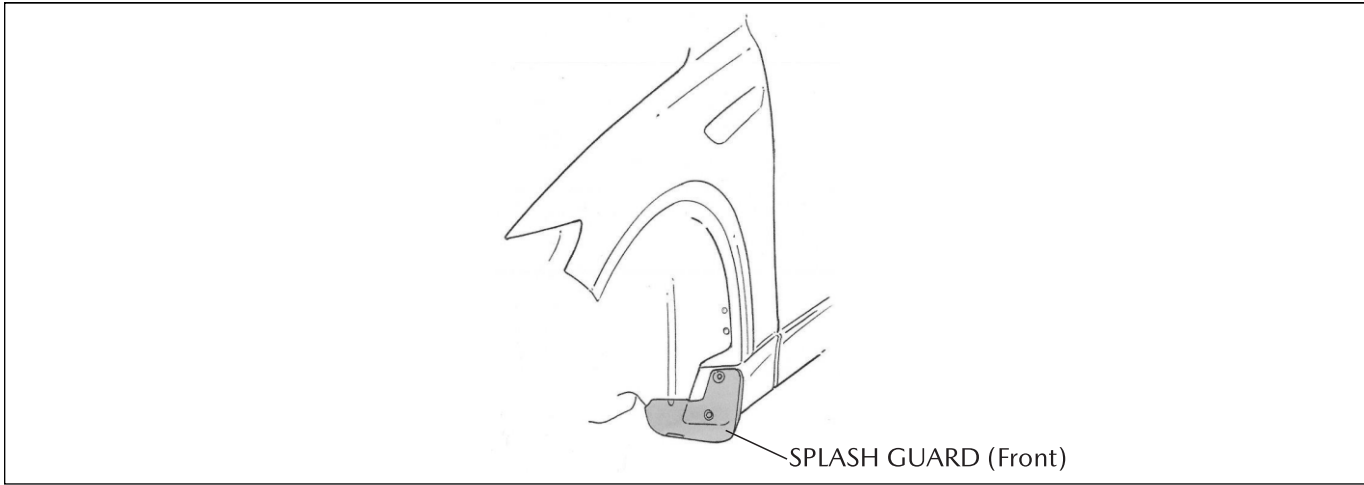
- Please turn over these instructions to the customer after installation.

To the customer

- Keep these instructions after installation. The instructions may be necessary for installing other optional parts or removal of this accessory.
- Should the vehicle or this accessory be resold, Always transfer these instructions to the next owner.



1. INSTALLATION VIEW



2. PARTS

- Before installation, verify that the kit includes all the following parts and that they are free of dirt, scratches, or damage.

Part	Part name	Qty	Part	Part name	Qty
	Splash guard (front) (RH/LH)	Each 1		Push Pin (Short)	4
	Push Pin (Long)	2			

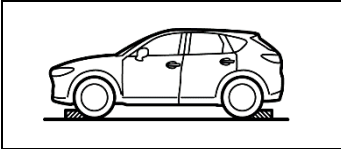
3. BEFORE INSTALLATION

REQUIRED TOOLS (Make sure they are at hand before starting work)

- ☆Drill (φ8mm)
- ☆Drill collar (φ8mm)
- ☆Slot screwdriver
- ☆Round file

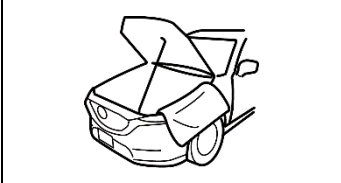
⚠ WARNING

Before performing any work, park the vehicle on level ground, apply the parking brake securely, and then block the wheels. If the vehicle moves while performing work, it may cause injury.

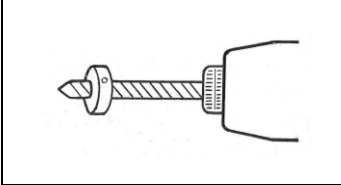


⚠ CAUTION

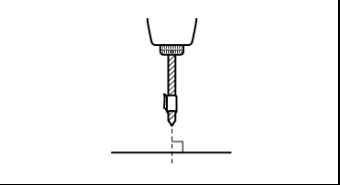
Be sure to cover the vehicle body with protectors or mats to prevent stains, scratches and damage when removing/installing the vehicle parts



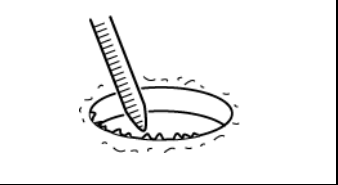
【Drilling】
When drilling holes, be sure to wrap the drill bit with adhesive tape or similar to prevent drilling from going too deep.



【Drilling】
When drilling holes, hold the drill bit or hole saw so that it is perpendicular to the drilling surface so that the position of the hole being drilled does not shift.



【Drilling】
After drilling holes, file away any rough edges and burrs until the edges are smooth.



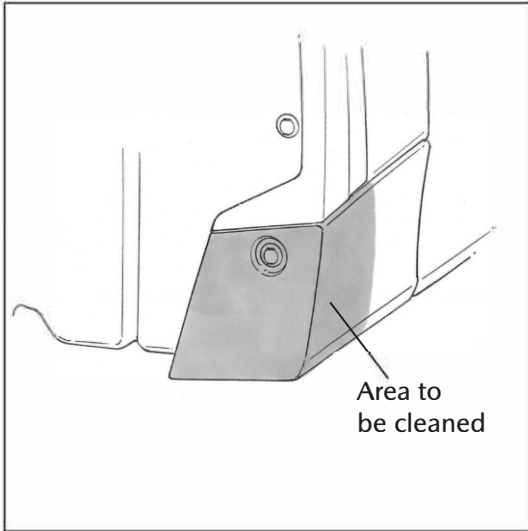
Advice

Refer to the Workshop Manual for removal and installation of vehicle parts.



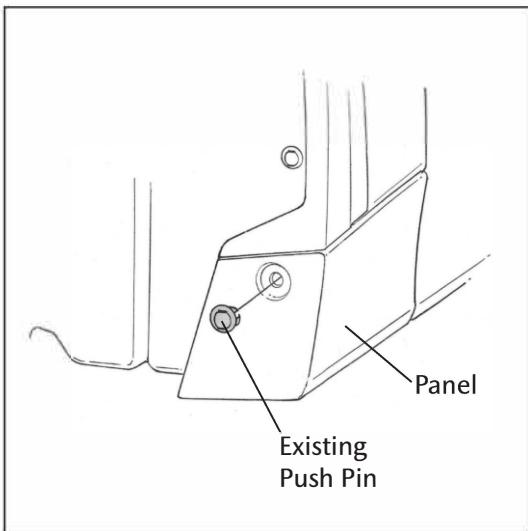
4. SPLASH GUARD (FRONT) INSTALLATION

- The illustrations showing the work procedure are for the left side of the vehicle; the same steps should be carried out for the right side as well.



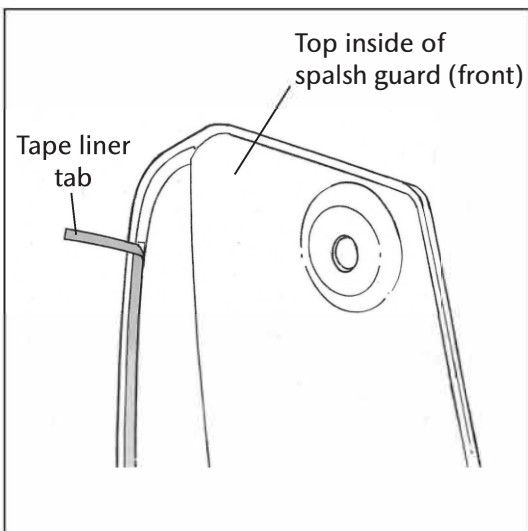
1. Ensure fender panel and vehicle are between 15°C and 43°C (59°F and 109°F), clean and degrease mounting area with approved cleaner and dry.

- Once cleaned do not contaminate mounting area

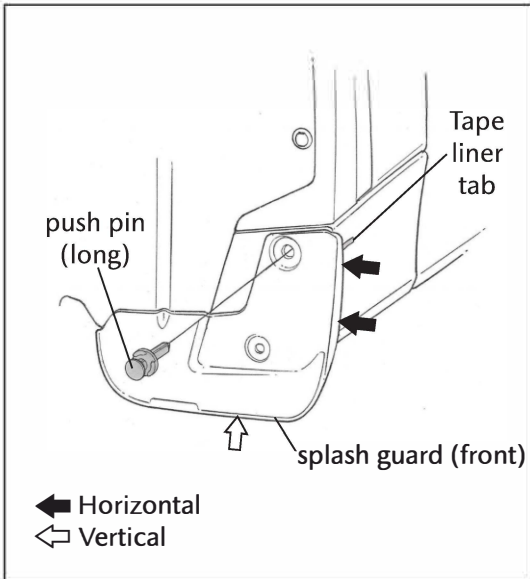


2. Remove existing push pin with slot screwdriver and discard.

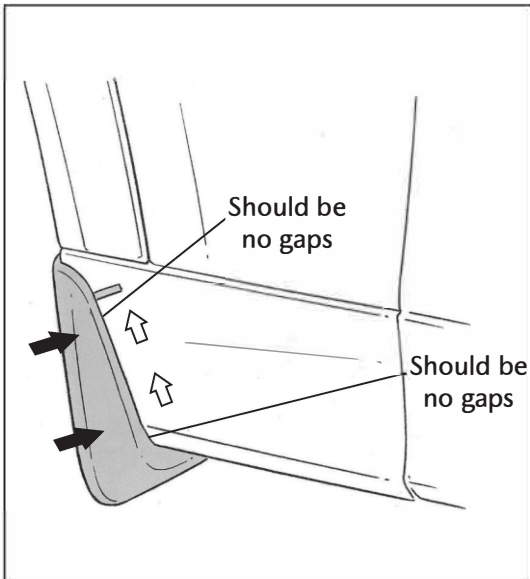
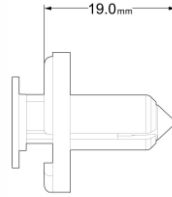
- Turn front tires to the left or the right to easily access panel.



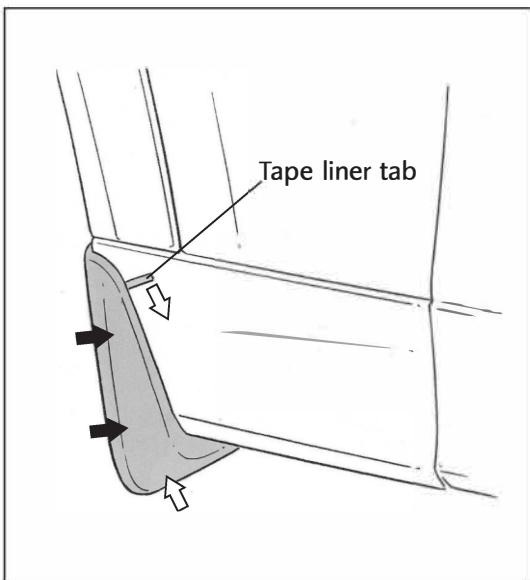
3. Fold tape liner tab facing out at top inside of splash guard (Front).



4. Set the splash guard (Front) against the vehicle with tape tab facing out, then install push pin (long).

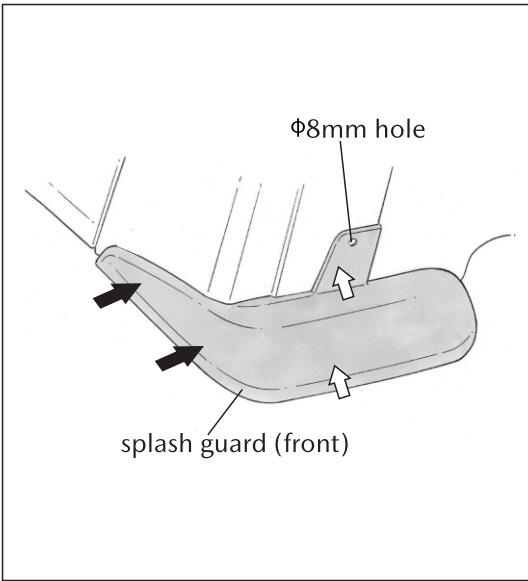


5. Press the splash guard (Front) against the vehicle so that there are no gaps between contact surfaces as shown.

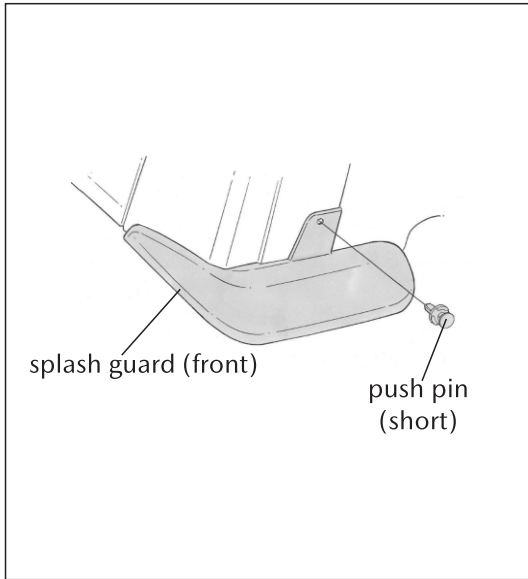
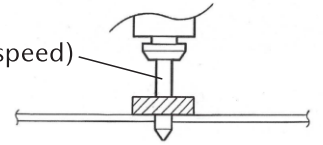
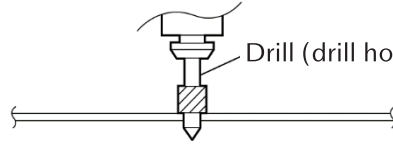
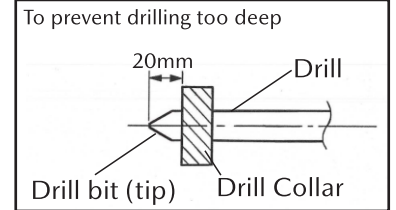
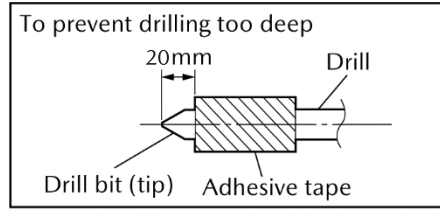


6. While pressing splash guard (Front) so there are no gaps remove tape using tab to pull down and out.

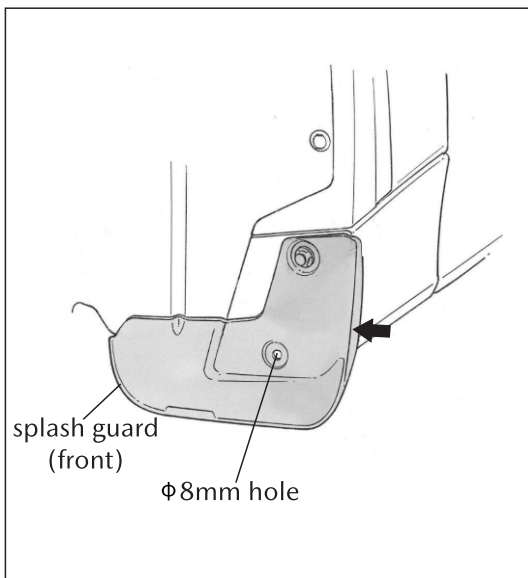
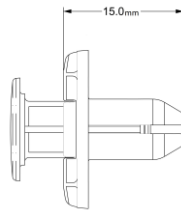
Press firmly along tape length to ensure adhesion of tape.



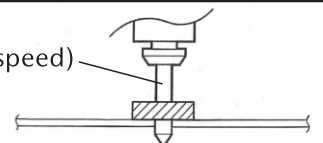
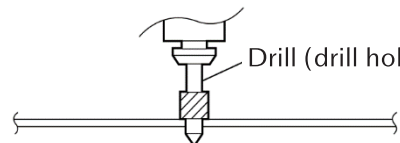
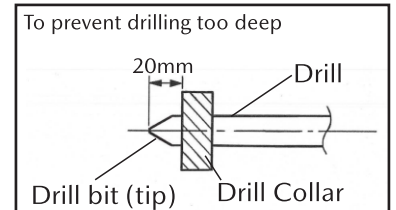
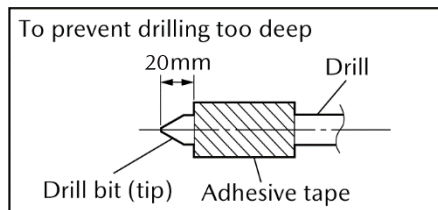
7. Using splash guard as a template drill $\Phi 8\text{mm}$ hole in panel, remove any burrs from hole.



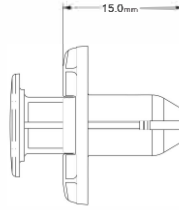
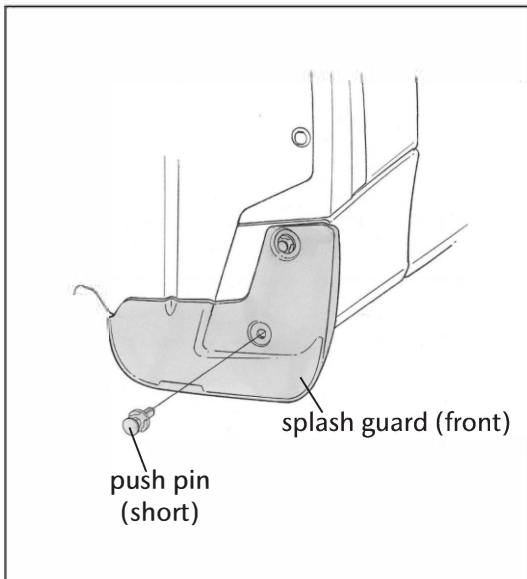
8. While pressing splash guard tight to panel install push pins (short).



9. While pressing splash guard tight to panel drill hole in panel using part as a template, remove any burrs from hole.



10. While pressing splash guard tight to panel install push pins (short).



5. CHECKING AFTER INSTALLATION

1. Check for even and consistent gaps to vehicle exterior.

- If there are inconsistent gaps, remove the push pins and adjust splash guard position. Then reinstall the pins.
- Ensure the adhesive tape does not get detached or damaged.

2. Check that all attachment pins are securely installed.

