

# GENUINE REAR UNDER SPOILER

## INSTALLATION AND USER'S INSTRUCTIONS



Thank you for purchasing a genuine Mazda accessory.


Before removal and installation, be sure to thoroughly read these instructions.


Please read the contents of this booklet in order to properly install and use the rear under spoiler.

Your safety depends on it. Keep these instructions with your vehicle records for future reference.

### **WARNING**

- There are several  **WARNING** and  **CAUTION** sections in this booklet concerning safety when installing or removing the rear under spoiler. Always read and follow them in order to prevent injuries, accidents, and possible damage to the vehicle.

 **WARNING** : Indicates a situation in which serious injury or death could result if the warning is ignored.

 **CAUTION** : Indicates a situation in which bodily injury or damage to the vehicle could result if the caution is ignored.

- For areas indicating the tightening torque in this instruction manual, tighten to the specified torque using a torque wrench. For areas in which the tightening torque is indicated inside parentheses ( ), the tightening torque is indicated as a reference value, however tightening using a torque wrench is not necessary.
- Do not modify the rear under spoiler.
- Do not install the rear under spoiler in any way other than described in the following instructions.
- If in any doubt, please ask your Mazda dealer to install the accessory in order to prevent errors in installation.
- If you have any questions about the use of the accessory, ask your Mazda dealer for proper advice before using it.
- Mazda and its suppliers are not responsible for injuries, accidents, and damage to persons and property that arise from the failure of the dealer or installer to follow these instructions.
- To ensure safety and reliability of the work, installation, removal and disposal work must be carried out by an Authorized Mazda Dealership.
- Be careful not to lose removed parts and be sure that they are kept free from scratches, grease or other dirt.

**PART NAME: REAR UNDER SPOILER**

**PART NUMBER: BCKN V4 930A (VEHICLES WITHOUT PARKING SENSORS)**

**BEMD V4 930 (VEHICLES WITHOUT PARKING SENSORS)**

**BCKR V4 930A (VEHICLES WITH PARKING SENSORS)**

**BEME V4 930 (VEHICLES WITH PARKING SENSORS)**

**VEHICLE: MAZDA3**

### **NOTE**

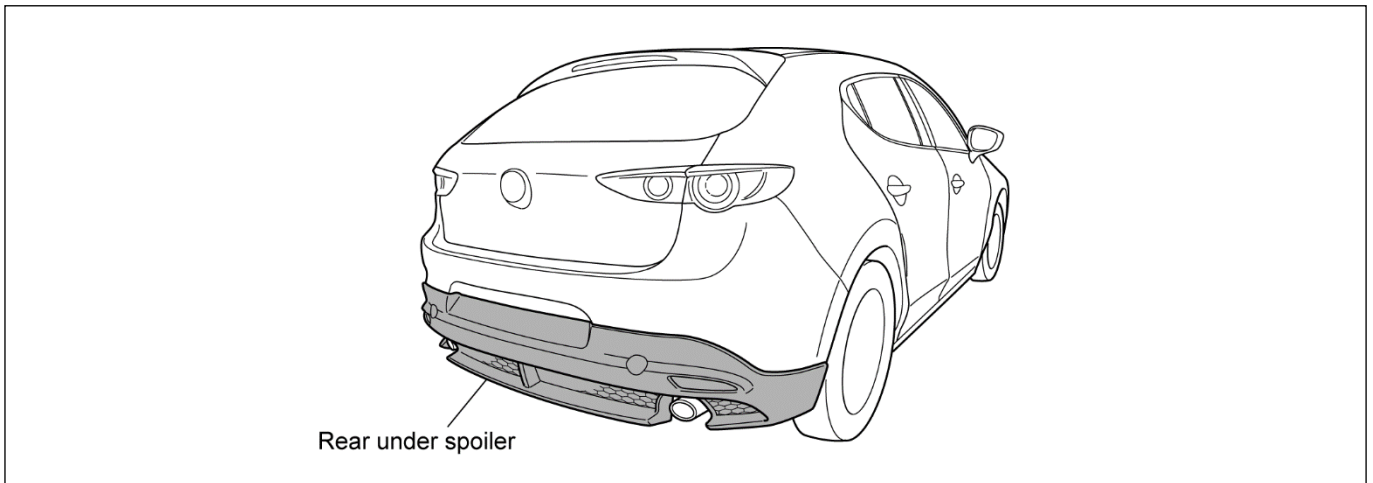
#### **To the dealer**

- Please turn over these instructions to the customer after installation.

#### **To the customer**

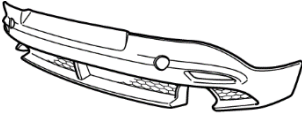

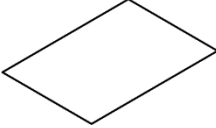
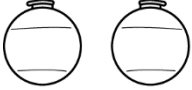
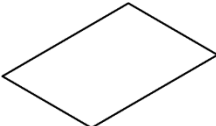
- Keep these instructions after installation. The instructions may be necessary for installing other optional parts or removal of this accessory.
- Should the vehicle or this accessory be resold, always leave these instructions with it for the next owner.

# 1. INSTALLATION VIEW

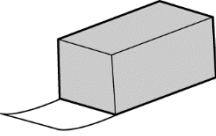
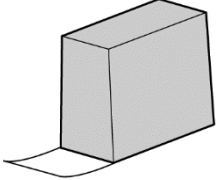


# 2. PARTS

- Before installation, verify that the kit includes all the following parts and that they are free of dirt, scratches, or damage.

Part	Part name	Qty	Part	Part name	Qty
	Rear under spoiler	1		Tapping screw (M5x12)	2
	Template	1		Towing hook cover (LH/RH)	Each 1
	Installation inspection sheet	1			

Separate Purchase [Rear under spoiler accessories (B0P3 V4 93E)]

Part	Part name	Qty	Part	Part name	Qty
	Spacer ① (t=15)	1		Spacer ② (t=30)	2

### 3. BEFORE INSTALLATION

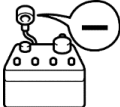

#### ■ REQUIRED TOOLS (Make sure they are at hand before starting work)

- ☆Fastener remover
- ☆Punch
- ☆Scissor
- ☆Phillips screwdriver
- ☆Drill ( $\phi 3$ ,  $\phi 6$ ,  $\phi 8$ )
- ☆Round file
- ☆Flathead screwdriver
- ☆Ruler



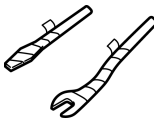
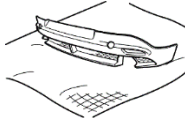
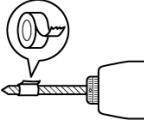
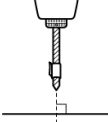


#### Other items to prepare

- ☆Masking tape (20 mm width)
- ☆Protective sheet
- ☆IPA (isopropyl alcohol) or white gasoline

#### ⚠ WARNING

<p>Disconnect the negative battery cable and be extremely careful not to allow anything to contact the terminal. Otherwise, part damage, electrocution, or injury could result from an electrical short circuit while performing the work.</p>	<p>Before performing any work, park the vehicle on level ground, apply the parking brake securely, and then block the wheels. If the vehicle moves while performing work, it may cause injury.</p>
	

#### ⚠ CAUTION

<p>Be sure to cover the vehicle body with protectors or mats when removing/installing parts. Otherwise, the vehicle may be scratched or become dirty.</p>	<p>Using improper tools may cause damage and or broken parts. Use the correct tool for the installation.</p>	<p>Wrap protective tape around screwdrivers and fastener remover tools to prevent scratching the vehicle.</p>	<p>Place the removed parts and kit accessories on a protective sheet to prevent scratches.</p>
			
<p>[Drilling]</p> <p>When drilling holes, be sure to wrap the drill bit with gum tape or similar to prevent drilling from going too deep.</p>	<p>[Drilling]</p> <p>When drilling holes, hold the drill bit or hole saw so that it is perpendicular to the drilling surface so that the position of the hole being drilled does not shift.</p>	<p>[Drilling]</p> <p>After drilling holes, file away any rough edges and burrs until the edges are smooth.</p>	<p>If there is any dirt, grease or other contamination on the attachment surface, they may become attached to the double-sided tape, causing a drop in the adhesive strength of the double-sided tape. You should clean the attachment surface thoroughly before attaching the tape. Use IPA (isopropyl alcohol) or similar to clean interior and exterior surfaces.</p>
			

#### Advice

Refer to the Workshop Manual for removal and installation of applicable vehicle parts.



## 4. DOUBLE-SIDED TAPE ATTACHMENT

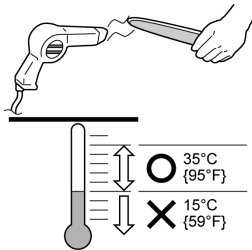
\* "Attachment surface" refers to the vehicle's rear bumper upper, and "part" refers to supplementary parts.

### 1. Avoid working in ambient temperatures of less than 15 °C.

The stickiness of the adhesive depends on the softness of the resin, and so the adhesive loses its stickiness and the adhesive strength drops at low temperatures (15 °C or less).

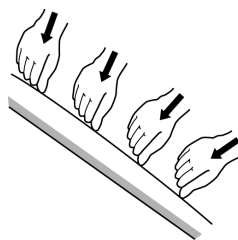
Accordingly, avoid carrying out work in places where the ambient temperature is less than 15 °C.

If working in places where the ambient temperature is less than 15 °C, you should heat the attachment surface and the part until they are warm enough.



### 2. Attach evenly.

In order to ensure that the adhesive surface of the double-sided tape attaches correctly, it is necessary to press the adhesive surface of the tape against the attachment surface with a uniform force (50N) overall. In particular, press down sufficiently on the double-sided tape when the ends of the tape and the attachment surface are curved.

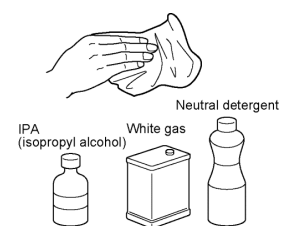


### 3. Clean the attachment surface.

If there is any dirt, grease or other contamination on the attachment surface, they may become attached to the double-sided tape, causing a drop in the adhesive strength of the double-sided tape.

You should clean the attachment surface before attaching the double-sided tape.

As a general rule, use mild detergent for interior surfaces, and use IPA (isopropyl alcohol) or white gas for exterior surfaces. After cleaning, let the area dry sufficiently.

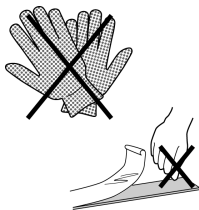


### 4. Avoid getting the tape dirty.

If you touch the adhesive surface while working, oil from your hands can get onto the adhesive and cause a drop in the adhesive strength of the double-sided tape.

In addition, when working while wearing gloves, fibers and dirt from the gloves may become attached to the adhesive.

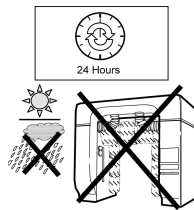
Take care to avoid contaminating the adhesive surface of the double-sided tape.



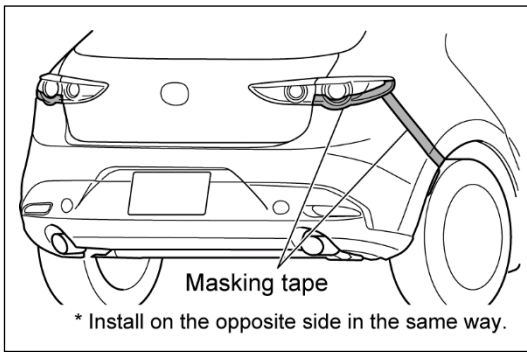
### 5. Handling after attaching the tape

After the tape has been attached, the adhesive strength will not stabilize until 24 hours have passed, so do not drive or wash the vehicle or leave it exposed to rain for 24 hours.

In addition, never remove and reattach the double-sided tape once the product has been installed, as this will result in a dramatic drop in adhesive strength.

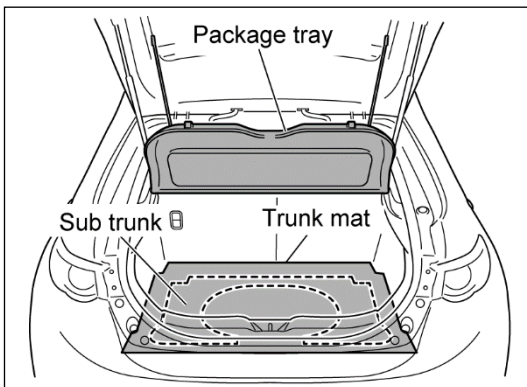


## 5. VEHICLE PART REMOVAL



### Vehicle protection

1. To prevent damage to the vehicle, attach masking tape around the side frame outer and the rear combination lamp as shown in the illustration at left.

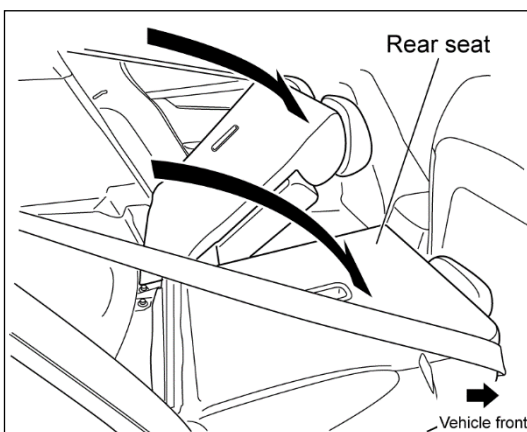
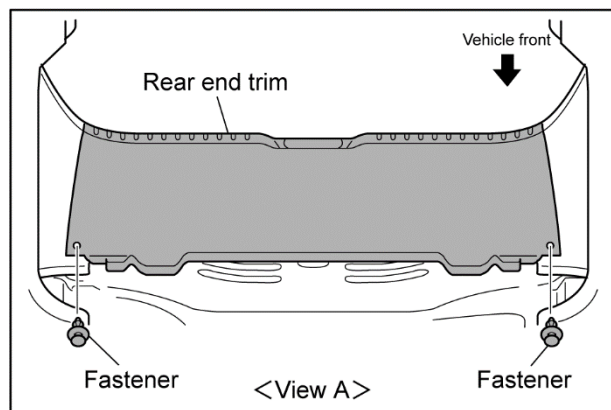
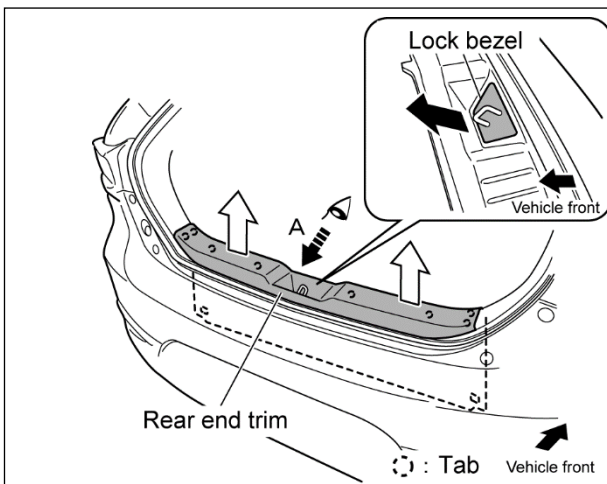


### Package tray, trunk mat and sub trunk removal

1. Open the rear gate.
2. Disconnect the negative battery cable while referring to "Disconnecting/connecting negative battery cable" in the vehicle workshop manual.
3. Remove the package tray, trunk mat and sub trunk from the vehicle in that order.

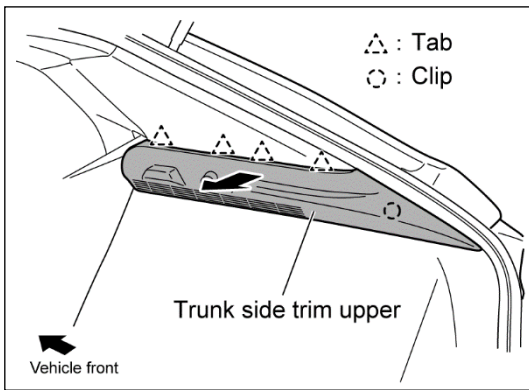
### Rear end trim removal

1. Remove the fasteners inside the passenger compartment (1 place each at left and right) which are securing the rear end trim.
2. Remove the lock bezel by pulling it in the direction of the arrow.
3. Disengage the tabs of the rear end trim, and pull the rear end trim in the direction of the arrows to remove it.

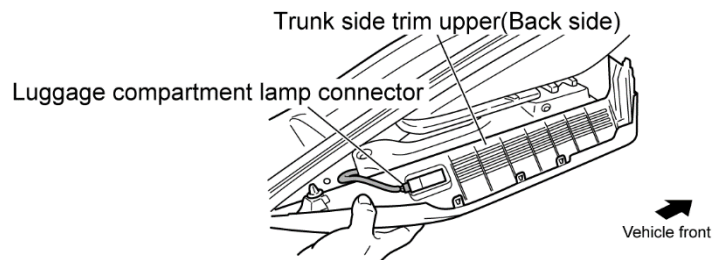


### Trunk side trim upper removal (RH/LH)

1. Tilt forward the left and right rear seats.

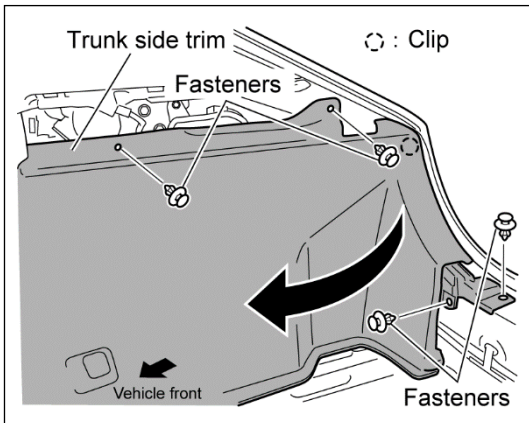


2. Disengage the tabs (4 places each at left and right) and the clips (1 place each at left and right), and then remove the trunk side trim upper by pulling it in the direction of the arrow.
3. Disconnect the luggage compartment lamp connector. (LH side only)

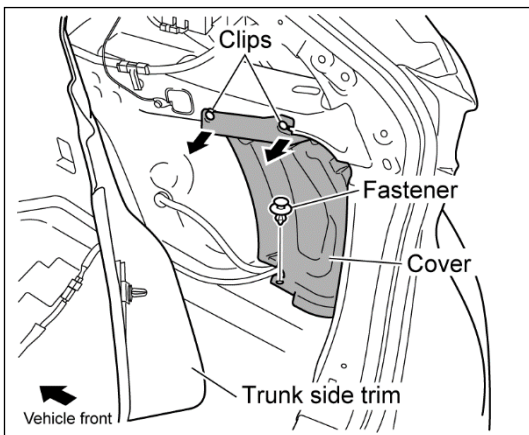


4. Remove from the opposite side in the same way.

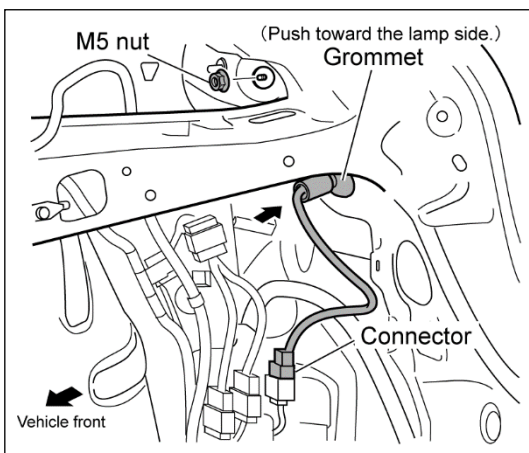
### Trunk side trim removal (RH/LH)



1. Remove the fasteners (4 places each at left and right).
2. Disengage the clips (1 place each at left and right), and then bend the trunk side trim from the back in the direction of the arrow.



3. Remove the fasteners (1 place each at left and right).
4. Disengage the clips (2 each at left and right), and then remove the cover.
5. Remove from the opposite side in the same way.

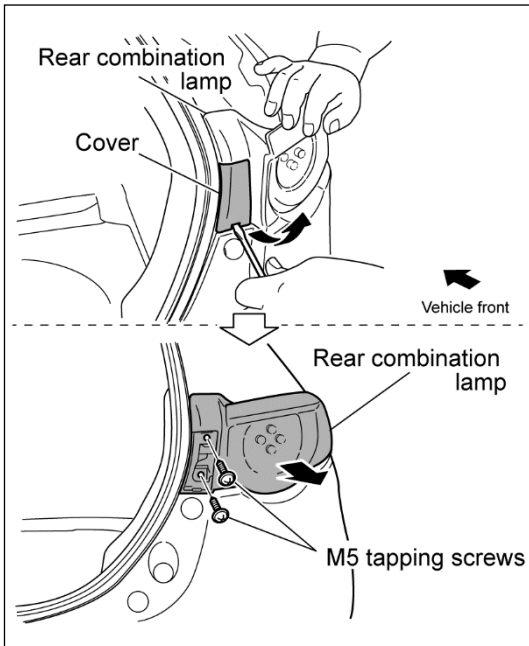


### Rear combination lamp removal (RH/LH)

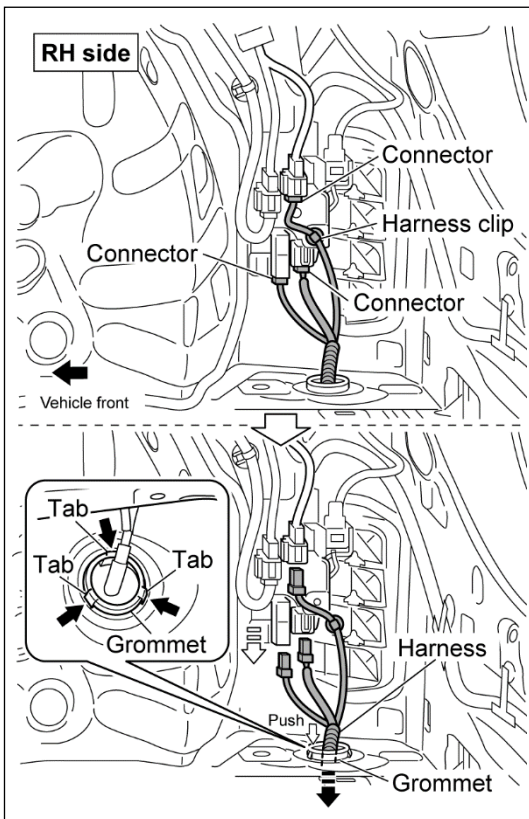
1. Bend back the trunk side trim.
2. Remove the M5 nuts on the underside of the rear combination lamps (1 each at left and right).

**M5 nut tightening torque: (4.1 – 6.1 N·m)**

3. Disconnect the rear combination lamp connector.
4. Push in the grommets of the rear combination lamp harnesses (1 place each at left and right) to disengage them.

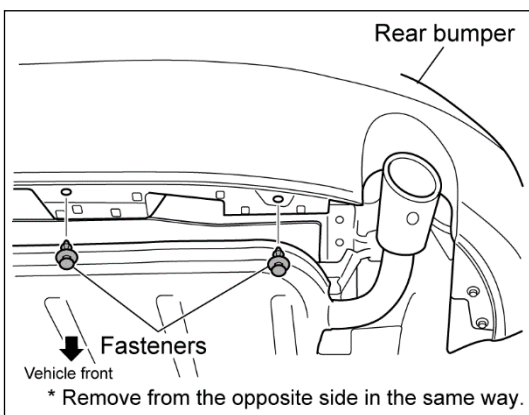


5. Remove the covers (1 place each at left and right).
6. Remove the M5 tapping screws (2 places each at left and right).  
**M5 tapping screw tightening torque: (1.2–1.8 N·m)**
7. Remove the rear combination lamp by pulling it in the direction of the arrow.
8. Remove from the opposite side in the same way.

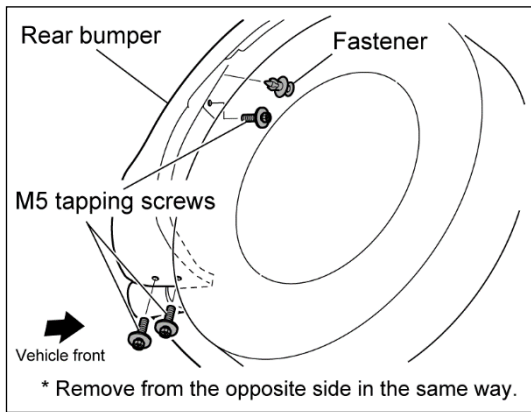


### Rear bumper removal

1. Bend back the trunk side trim (RH), and then disengage the harness clip (1 place).
2. Disconnect the connectors (maximum of 3 places).
3. Wrap the connectors with tape or similar to prevent them from being damaged.
4. Press the tabs of the grommets shown in the illustration (3 places) to disengage the grommets from the floor panel, and push the harness into the hole in the vehicle.
5. Push the harness through until all of the connectors are outside the passenger compartment.

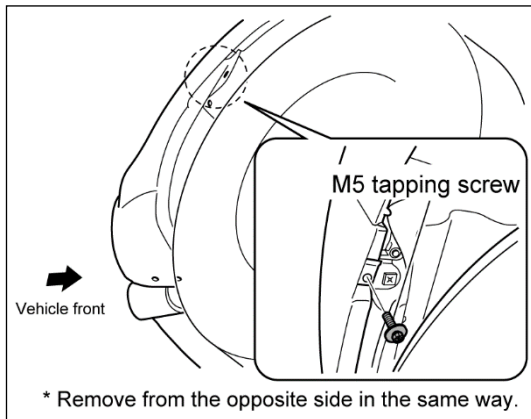


6. Remove the rear bumper lower fasteners (2 places each at left and right).



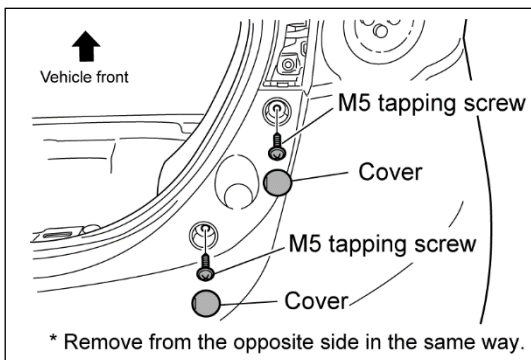
7. Remove the fasteners (1 place each at left and right).
8. Remove the tapping screws (3 places each at left and right).

**M5 tapping screw tightening torque: (1.5–2.4 N·m)**



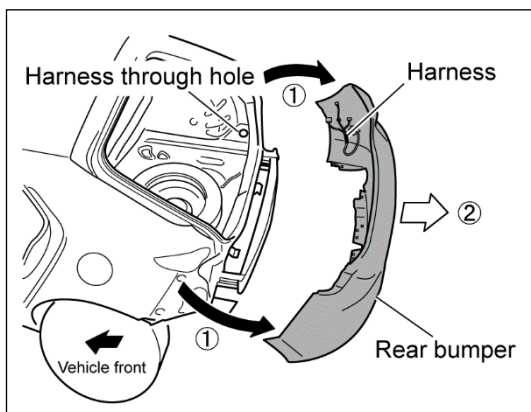
9. Bend back the splash shield, and then remove the M5 tapping screws (1 place each at left and right).

**M5 tapping screw tightening torque: (1.0–1.5 N·m)**



10. Remove the covers (2 places each at left and right).
11. Remove the M5 tapping screws (2 places each at left and right).

**M5 tapping screw tightening torque: (1.0–1.5 N·m)**



12. Pull the rear bumper in the direction of the arrow ① to disengage it from the rear bumper retainer.
13. Pull the rear bumper in the direction of the arrow ②.

- Be careful not to step on the rear bumper harness.



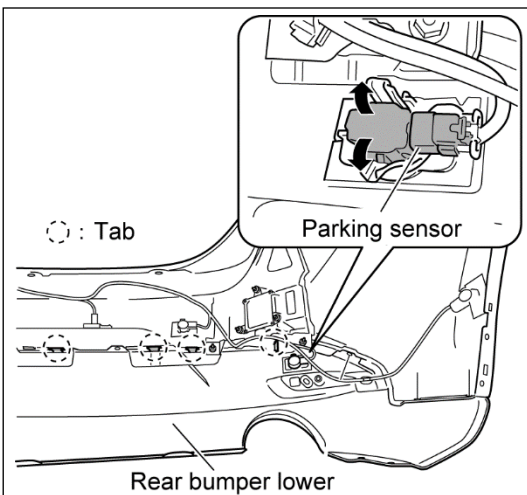
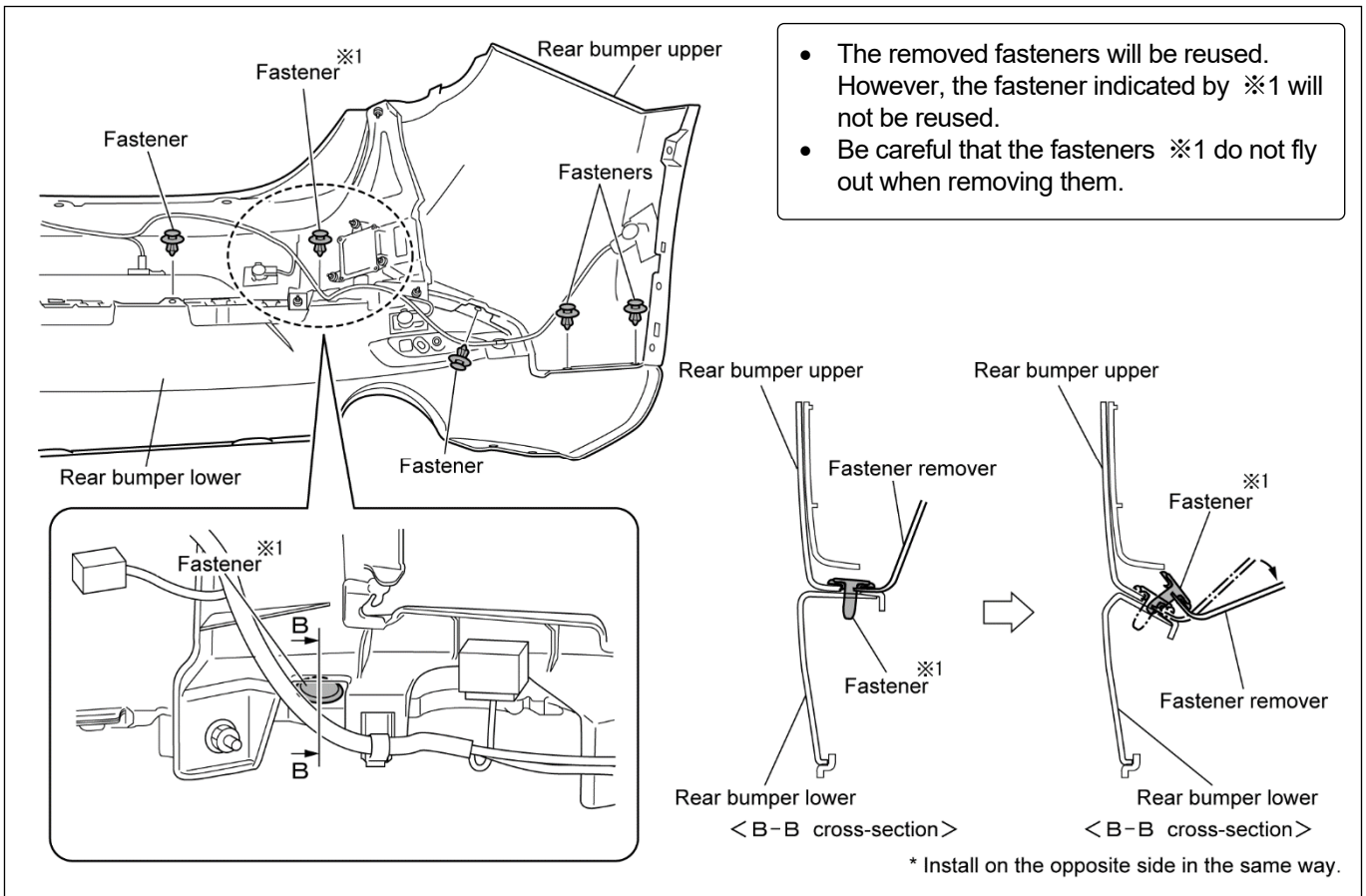
## 6. REAR UNDER SPOILER INSTALLATION

- The diagrams showing the work procedure are for the left side of the vehicle; the same steps should be carried out for the right side as well.

### Rear bumper lower removal

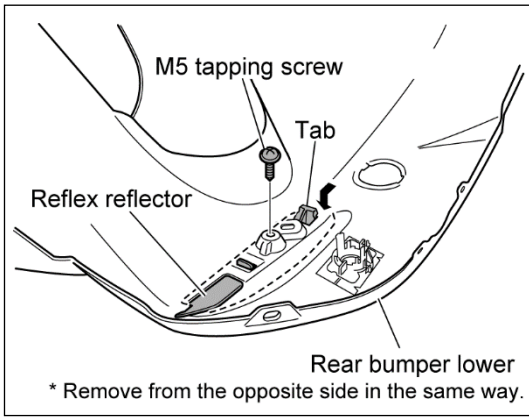
- Remove the fasteners which are connecting the rear bumper upper and lower in the positions shown in the illustration at left (5 places each at left and right).

However, for the fasteners indicated by ※1 (which are not reused), use the fastener remover to bend the bumper flanges which are connected by the fasteners as shown in the illustrations below to forcibly remove these fasteners.



- Disengage the tabs (4 places each at left and right).
- Disengage the tabs (2 places) which are securing the parking sensors, and then remove the parking sensors (1 place each at left and right).  
**(Vehicles with parking sensors only)**
- Remove the rear bumper lower from the rear bumper upper.

- The removed rear bumper lower will not be reused.



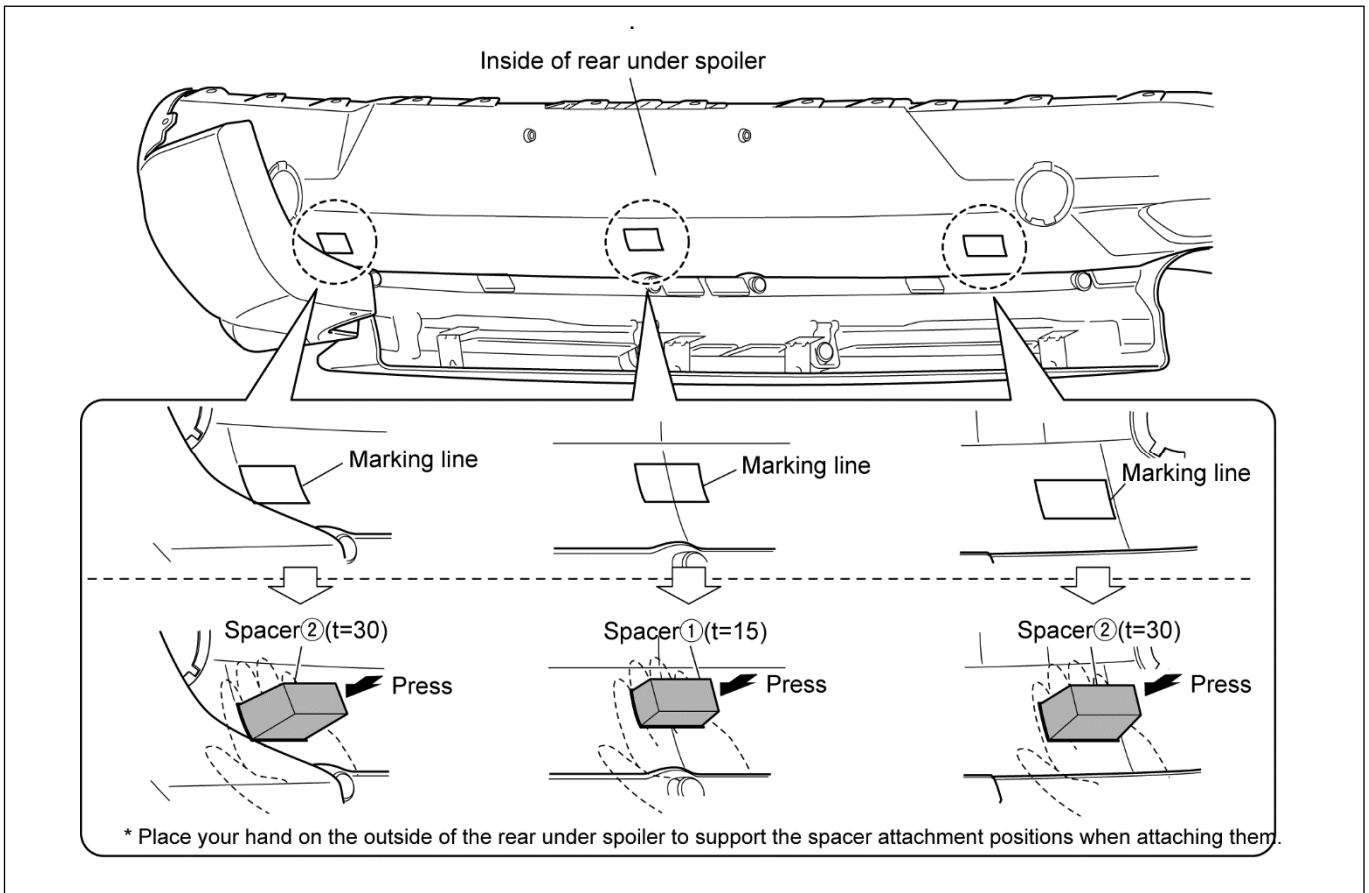
- Remove the tapping screw (1 place) and disengage the tab from the removed rear bumper lower, and then remove the reflex reflectors (1 place each at left and right).

- The removed reflex reflectors will be reused.

- Install the removed reflect reflectors to the new rear under spoiler (this product) (1 place each at left and right) by carrying out the removal procedure in reverse.

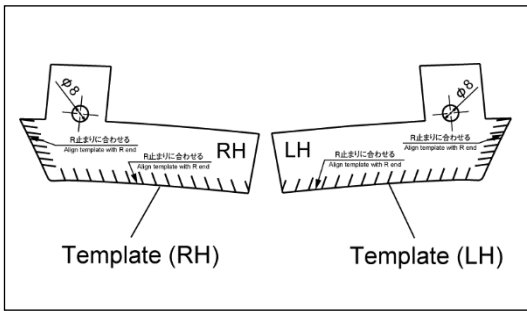
**M5 tapping screw tightening torque: (0.3–1.5 N·m)**

- Clean the areas inside the marking lines on the underside of the rear under spoiler.
- After the areas have dried completely, peel off all of the backing paper inside the marking lines, attach the spacer ① (1 place) and the spacers ② (2 places), and then press down on the spacers from inside and outside with both hands.

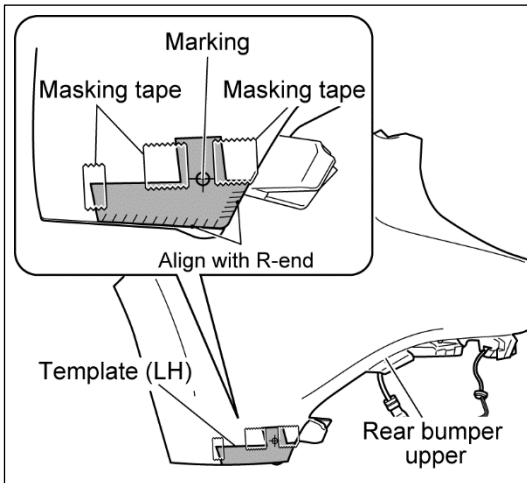


## Rear bumper upper hole drilling

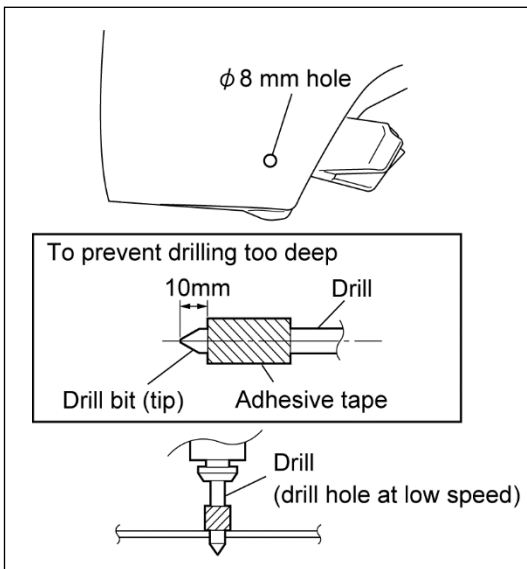
1. Cut the templates. (1 each for RH and LH)



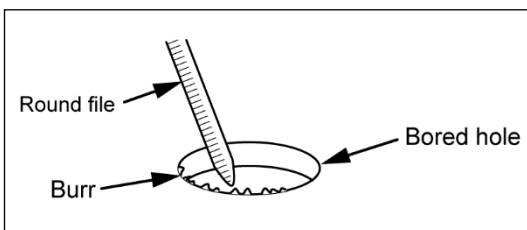
2. Use masking tape to attach the template (LH) to the rear bumper upper in the position shown in the illustration at left.
3. Use a punch to make a mark (1 place) at the center of the  $\phi 8$  mm hole in the template.
4. Remove the template.



5. Use the drill to drill an  $\phi 8$  mm hole (in 1 place) in stages at the location of the mark.  
( $\phi 8$  mm hole:  $\phi 3$  mm  $\rightarrow$   $\phi 6$  mm  $\rightarrow$   $\phi 8$  mm)

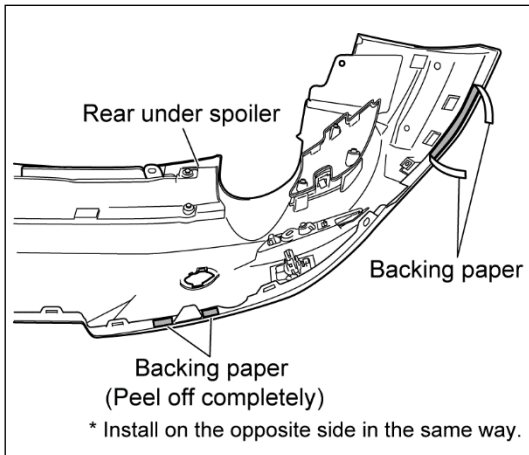
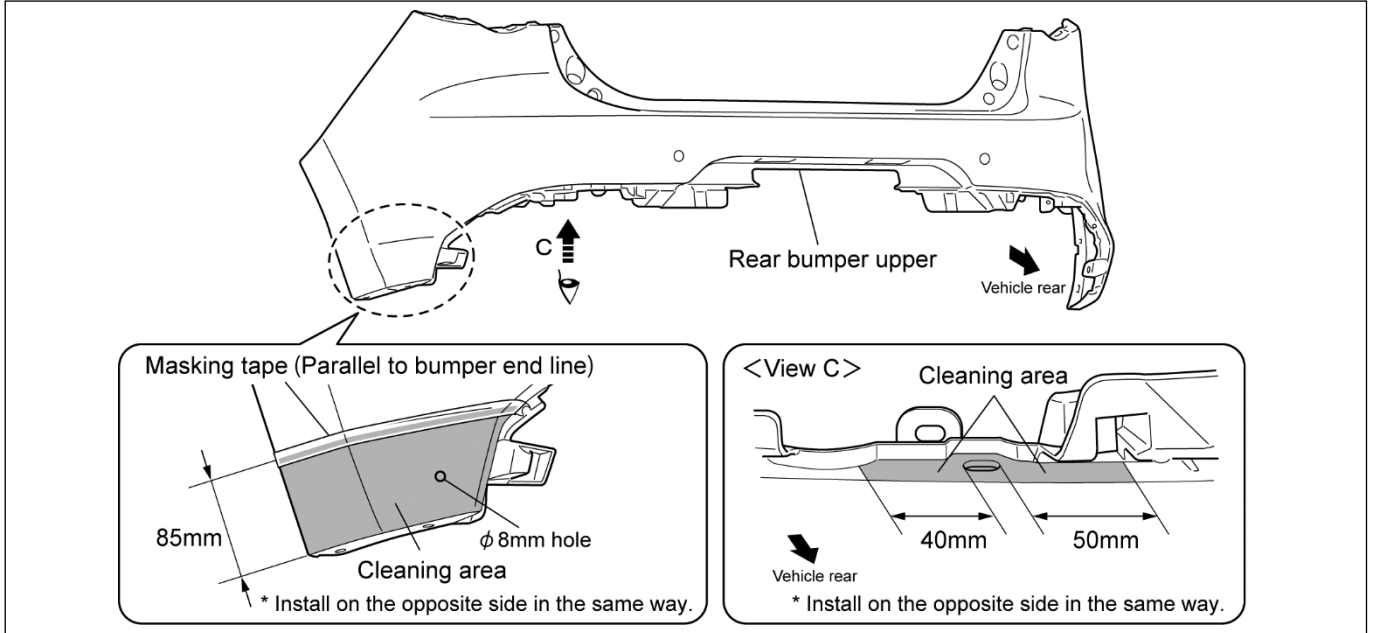


6. After drilling the hole, use a file to fully remove any burrs from the underside of the hole.

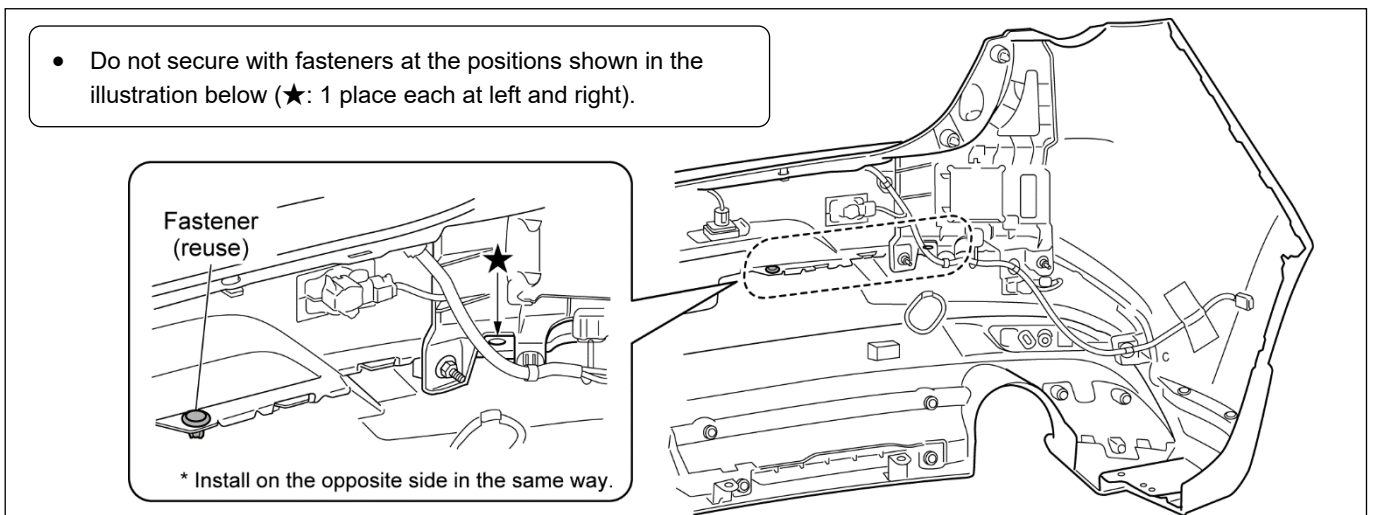


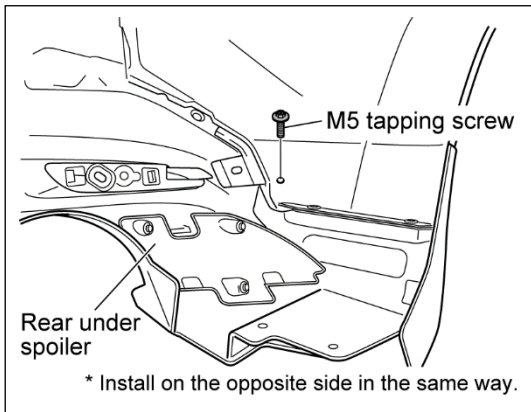
## Rear under spoiler installation

1. Attach masking tape in the places where the double-sided adhesive tape for the rear spoiler is to be attached to the rear bumper upper as shown in the illustration below, and then use IPA (isopropyl alcohol) or white gasoline to clean the area. Once the area has fully dried, peel off the masking tape.



2. Peel off part of the backing paper (3 places each at left and right) from each piece of double-sided adhesive tape on the rear under spoiler and fold them back, except for the two places shown in the illustration at left where all of the backing paper should be peeled off.
3. Install the new rear spoiler (this product) to the rear bumper upper by following the procedure in steps 1 to 4 in "Rear bumper lower removal" (page 9) in reverse, except for the positions shown in the illustration below where it is not secured by fasteners (1 place each at left and right).
4. Press down on the double-sided adhesive tape on the rear under spoiler which has the backing paper fully removed through the vertical gap at the positions which are not secured by fasteners (1 place each at left and right).



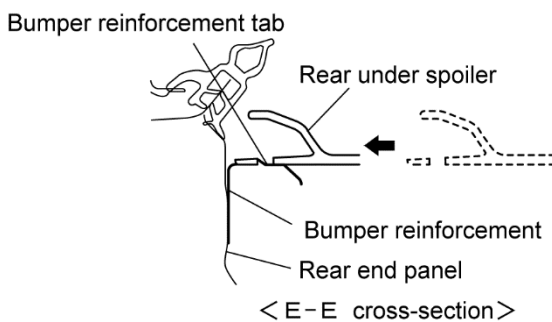
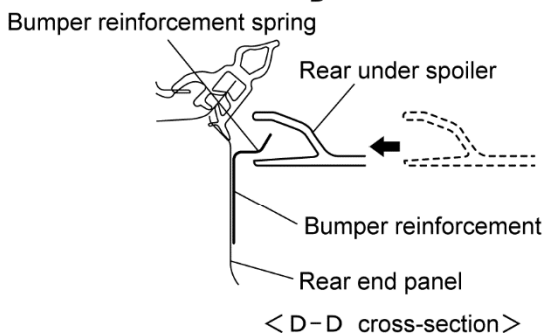
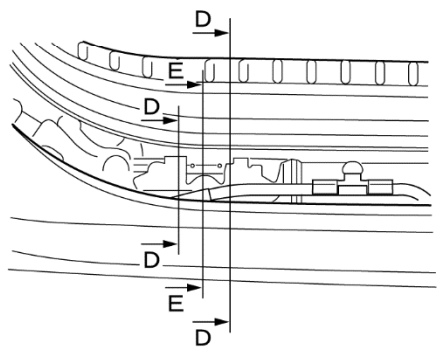
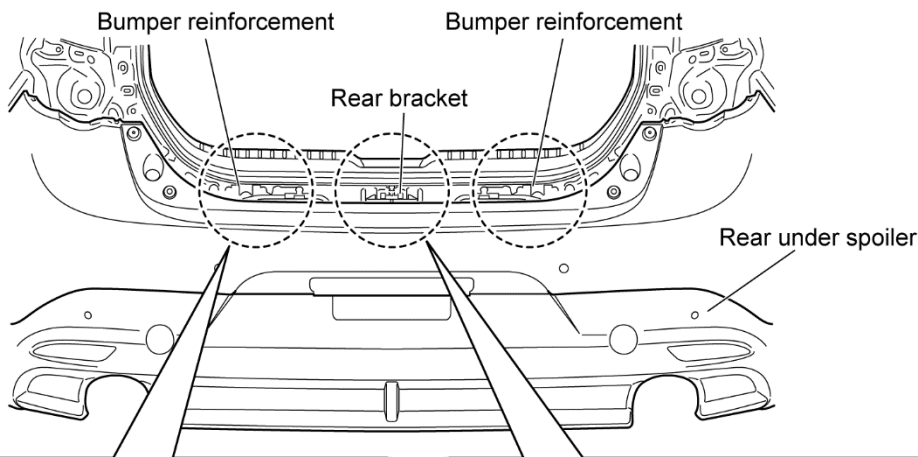


5. Install the M5 tapping screws (M5x12) (1 place each at left and right) to the  $\phi 8$ mm holes which were drilled before.

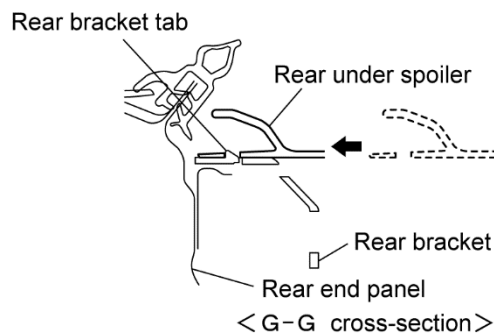
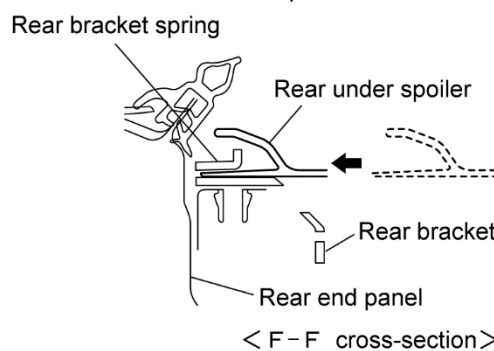
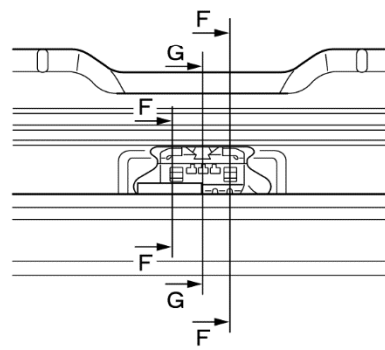
**M5 tapping screw tightening torque: (1.5–2.4 N·m)**

6. Return the vehicle's rear bumper (with the rear under spoiler installed in place of the rear bumper lower) to its original position by following the procedure in "5. VEHICLE PART REMOVAL" (pages 5 to 8) in reverse.

However, when replacing other parts which have been replaced as a result of changing to the rear under spoiler, follow the procedure from step 5 onward.

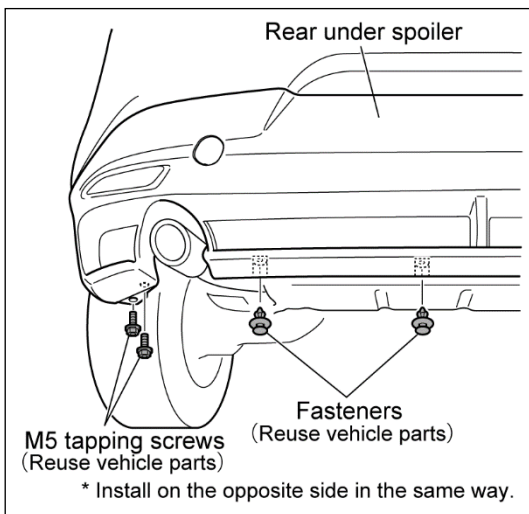
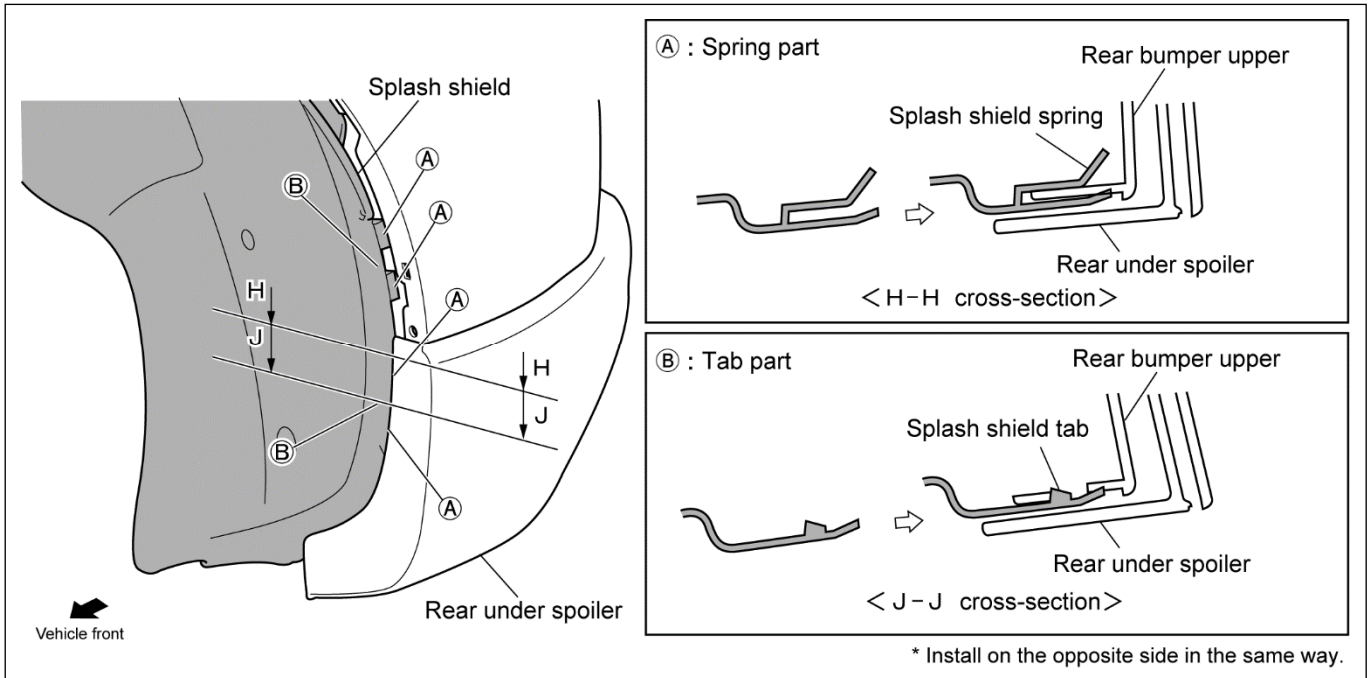


\* Install on the opposite side in the same way.



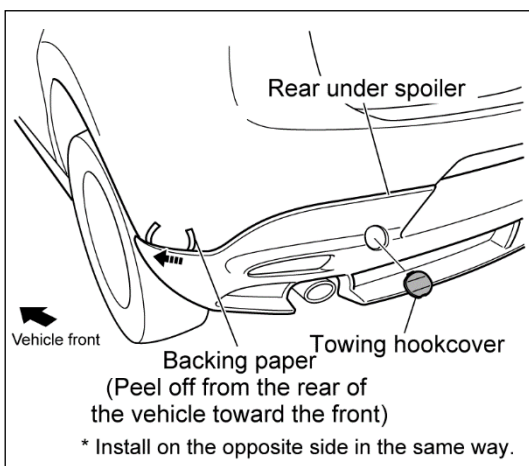
- Securely engage the springs (A) (4 places) and the tabs (B) (2 places) of the splash shield to the rear bumper upper as shown in the illustration below.

- Make sure that the splash shield and the rear under spoiler are facing the right way up.



- Install the fasteners (2 places each at left and right) and the M5 tapping screws (2 places each at left and right) to the rear under spoiler.

**M5 tapping screw tightening torque: (1.5–2.4 N·m)**



- After checking that the rear under spoiler is properly aligned with the vehicle, remove all of the double-sided adhesive tape backing paper, and press down on the double-sided adhesive tape to the vehicle.

- Install the fasteners (1 place each at left and right) to the rear under spoiler.

## 7. REASSEMBLY AND INSPECTION

1. Reassemble all vehicle parts while referring to "Required servicing after disconnecting/connecting negative battery cable" in "Disconnecting/connecting negative battery cable" and "Rear side radar aiming" in the rear bumper removal and installation procedures in the vehicle workshop manual.
2. Carry out a reassembly and operation inspection for the vehicle parts and check that all items are installed.

## 8. TO THE CUSTOMER

Heed the following cautions when handling (maintenance) the rear under spoiler.

- If gasoline, oil, engine coolant, or battery fluid adheres to the hard plastic parts, it will cause discoloration, stains, or damage. Wipe off immediately with a soft cloth.
- Depending on the type of high pressure car washer used, the water for washing may be high temperature and/or under high pressure. Be careful when using pressurized water from a car washer nozzle. If the nozzle is too close or water pressure is applied for long periods, it may cause deformation or damage to the hard plastic parts.
- Do not use electric or air tools to apply wax or compound (polishing powder). Otherwise, friction heat will be generated causing deformation or damage to the hard plastic parts.
- If the vehicle height is lowered due to the vehicle being at the maximum passenger or cargo capacity described in the vehicle inspection certificate, decrease the vehicle speed when parking on a road shoulder or entering/leaving a road shoulder or bump. Otherwise, the rear under spoiler could be hit and damaged.