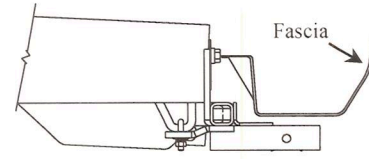




Installation Instructions

Mazda5

Part Numbers: 38870
00CT-88-M501



Hitch Shown In Proper Position

150 LB (68.0 Kg) Max Tongue Weight

Equipment Required: Pullwires (provided), Masking tape, Small screwdriver, Paint
Fastener Kit: 24874F
Wrenches: 11/16", (2) 3/4"
Drill Bits: 3/8" or 1" Hole Saw or cutting tool

TOWING HITCH DISCLAIMER

THIS HITCH IS SOLELY TO BE USED FOR HITCH MOUNT BIKE CARRIER SYSTEMS SOLD BY MAZDA CANADA AND **NOT FOR TOWING PURPOSES**. MAZDA CANADA IS NOT RESPONSIBLE FOR ANY DAMAGES THAT MAY OCCUR DUE TO TOWING OF ANY KIND.

Wiring Access Location: PC3, 4

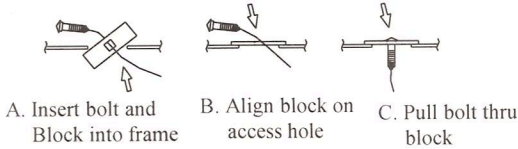


Figure 4

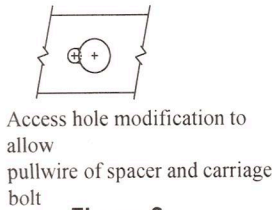


Figure 2

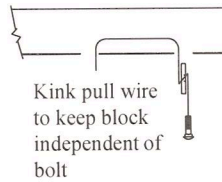


Figure 3

Note: sort hardware prior to hitch installation to confirm 1/2" & 7/16" conical washer are kept with coordinated 1/2" & 7/16" bolts.

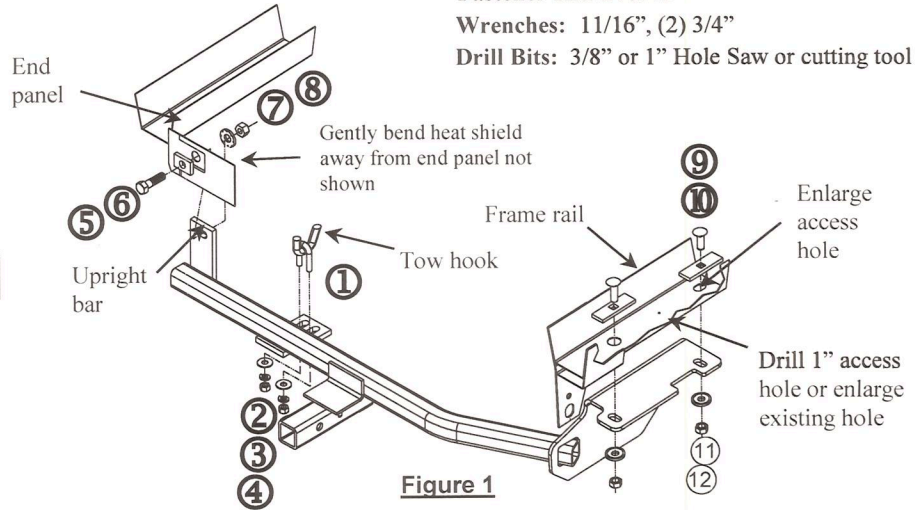


Figure 1

①	Qty. (1)	U-bolt 3/8-16"	⑦	Qty. (1)	Conical washer 1/2"
②	Qty. (2)	Flat washer 3/8"	⑧	Qty. (1)	Hex nut 1/2-13
③	Qty. (2)	Lock washer 3/8"	⑨	Qty. (2)	Carriage bolt 7/16-14 X 1-3/4" GR5
④	Qty. (2)	Hex nut 3/8-16	⑩	Qty. (2)	Spacer 1/4" X 1" X 3"
⑤	Qty. (1)	Bolts 1/2-13 X 1.75 GR5	⑪	Qty. (2)	Conical washer 7/16"
⑥	Qty. (1)	Spacer 1/4" X 1" X 1-1/2"	⑫	Qty. (2)	Hex nut 7/16-14

- Remove the (2) plastic rivets that fasten the fascia tabs to the trunk pan. Note: Remove the center of the rivet with a screwdriver and remove remaining piece. Rivets to be reinstalled. Carefully push fascia toward the impact bar and out of the way.
- Enlarge the forward access hole or drill 1" access hole in bottom of passenger side frame rail between the attachment holes for bolts and spacers. See enlarge method Figure 2. Paint any exposed metal
- Feed spacers and carriage bolts into position using the pull wires provided. Leave pull wire attached. Note: It is much easier if bolt and spacer are not engaged while inserting them into frame, refer to illustration. See Figure 3 & 4.
- Pull heat shield away from end panel to allow access for hitch upright bar. Note; use tape on heat shield due to sharp edges.
- Hang u-bolt on tow hook.
- Raise hitch into position at the tow hook. Maneuver the upright bar between the end panel behind the heat shield. Attach flat washer, lock washer and hex nut. Leave fasteners snug.
- Feed the pull wires through the slots of the passenger side bracket. Shift the bracket into location as shown. Pull the fasteners through the bracket. Remove one pull wire at a time (being careful not to push the fasteners into the frame rail) and attach the conical washer and hex nut as shown. Repeat with remaining fastener.
- Insert the 1/2-13 bolt into the spacer, reaching behind the end panel insert the bolt through the hole in end panel and slot in upright bar and attach the conical washer and hex nut. Orientate the spacer as shown.
- Tighten all fasteners to the required torque specification.
- Reattach the fascia back into position from step 1.
- Push heat shield back into position.

Tighten all 3/8-16 fasteners with torque wrench to 30 Lb.-Ft. (41 N*M)
Tighten all 7/16-14 GR5 fasteners with torque wrench to 50 Lb.-Ft. (68 N*M)
Tighten all 1/2-13 GR5 fasteners with torque wrench to 75 Lb.-Ft. (102 N*M)

Note: check hitch frequently, making sure all fasteners are properly tightened. If hitch is removed, plug all holes in trunk pan or other body panels to prevent entry of water and exhaust fumes. A hitch which has been damaged should be removed and replaced. Observe safety precautions when working beneath a vehicle and wear eye protection. Do not cut access or attachment holes with a torch.

This product complies with safety specifications and requirements for connecting devices and towing systems of the state of New York, V.E.S.C. Regulation V-5 and SAE J684.