



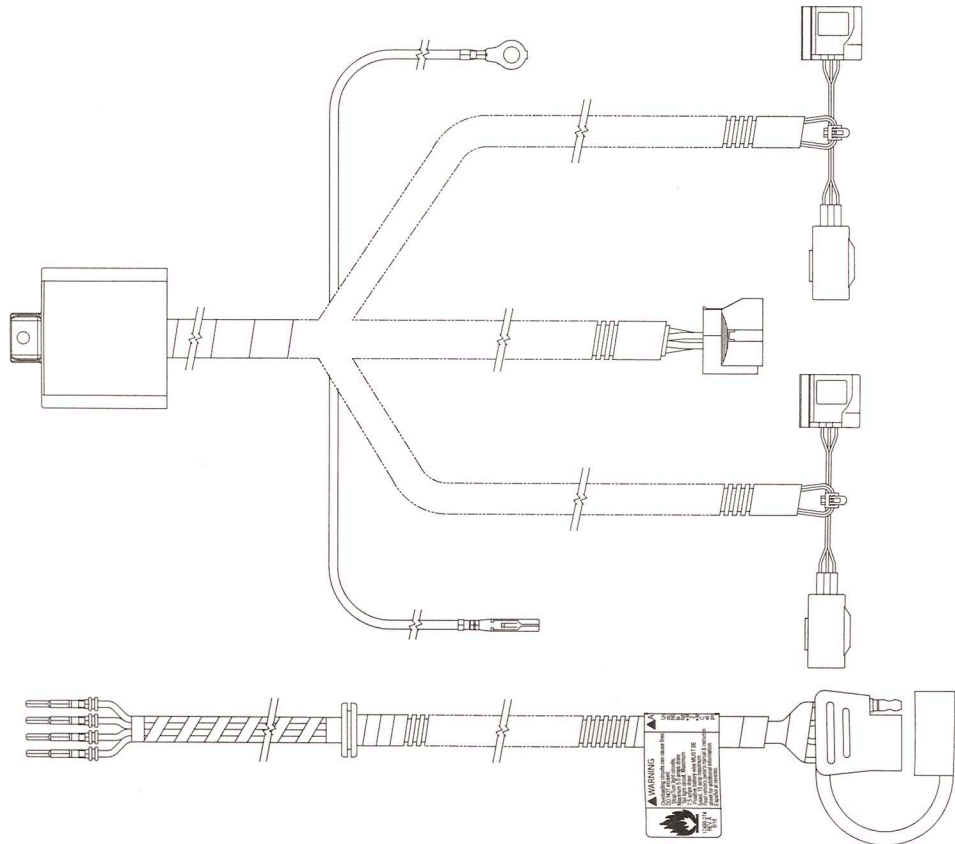
# Installation Instructions

## Mazda CX5

Part Number:  
00CT-88-C57H

### READ THIS FIRST

Read and follow all vehicle warnings and installation instructions before beginning installation. Wear safety glasses and use all safety precautions during installation.



### TOOLS REQUIRED:

- Trim Panel Remover
- 10mm Socket & Ratchet or 10mm Wrench
- Wire Crimpers
- Wire Cutters
- Philips Head Screwdriver
- Test-probe

### HARDWARE KIT:

- 4 - Cable Tie, 8"
- 2 - Screw, #10
- 2 - Nut/Washer
- 1 - Bracket, 4-Flat Mounting
- 2 - Alcohol Pad
- 2 - Foam Pad

### NOTES TO THE INSTALLER:

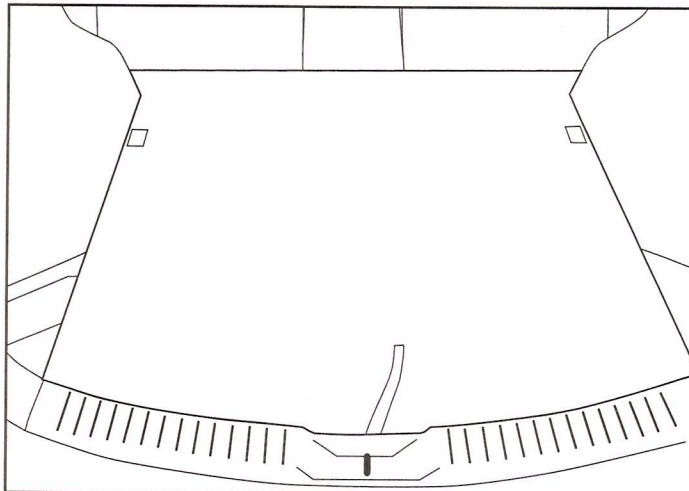
Read the entire installation pamphlet prior to beginning the installation of the accessory.

Ensure that the vehicle is properly protected in the area that the accessory is to be installed.

To prevent vehicle damage, never place tools on top of painted surfaces, seats, dash pad, console or floor carpet / mat.

Always wear appropriate safety gear to include gloves and eye protection when required.

1. Disconnect and isolate the negative battery terminal.
2. Open rear lift gate. Temporarily remove rear cargo floor cover and storage tray and set aside.

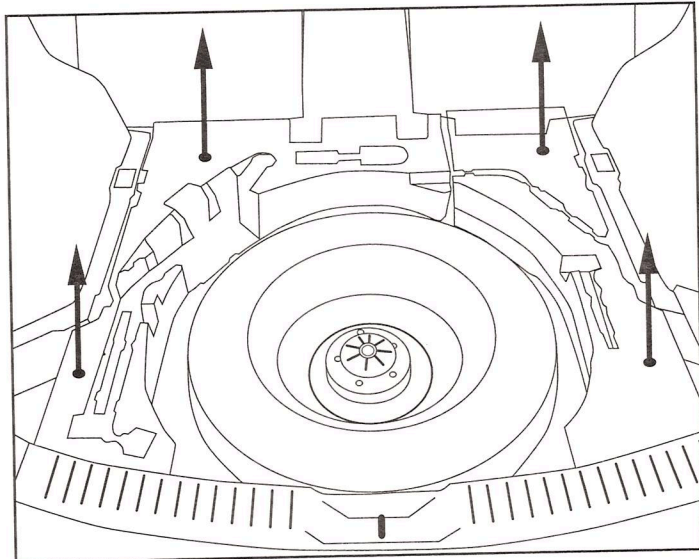




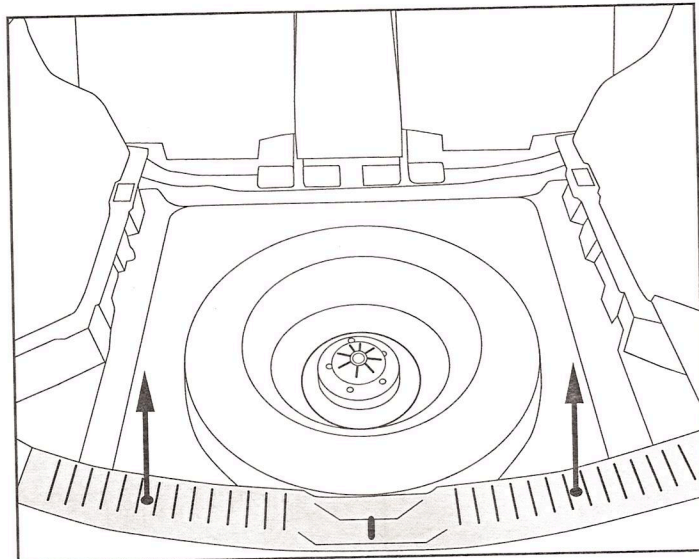
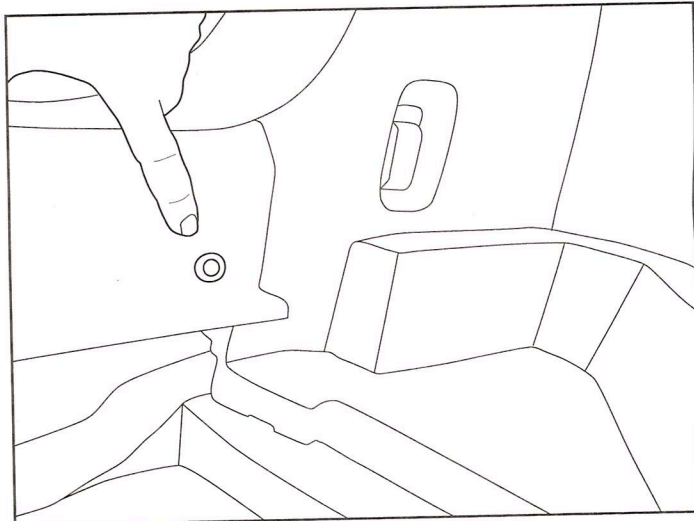
# Installation Instructions

## Mazda CX5

Part Number:  
00CT-88-C57H



3. Remove 2 trim panel fasteners and pull directly up to remove threshold and set aside.



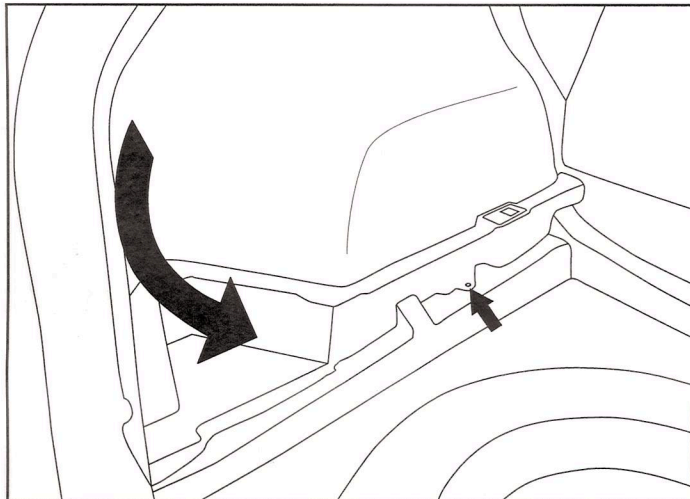
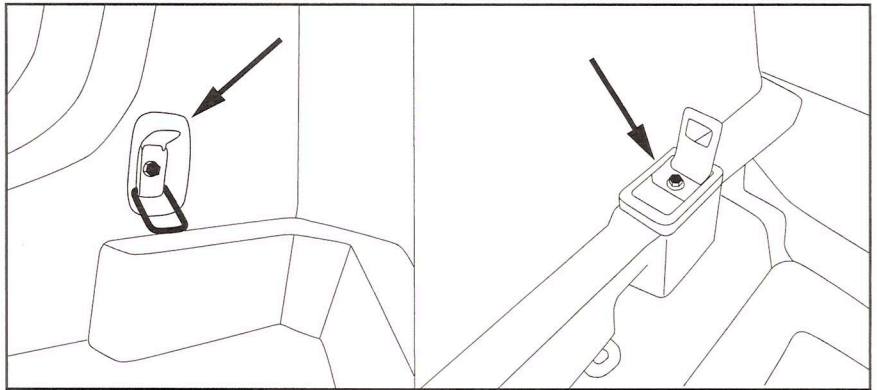


# Installation Instructions

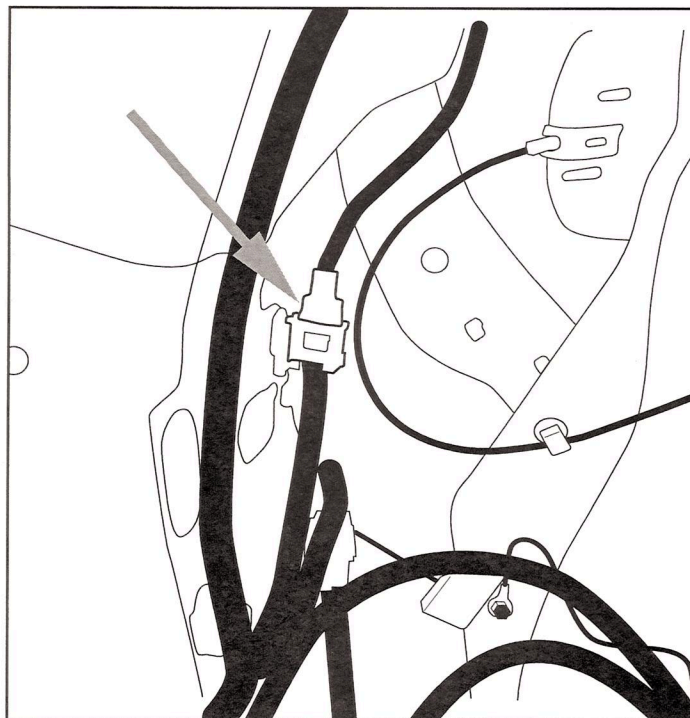
## Mazda CX5

Part Number:  
00CT-88-C57H

4. Remove 2 cargo loops, 2 trim panel fasteners and phillips head screw, so that the trim panels can be carefully pulled away from both sides of the vehicle.



5. Being careful not to damage clips, partially remove the lower interior trim panels on each side of the vehicle. Locate the vehicle's taillight wiring harness.





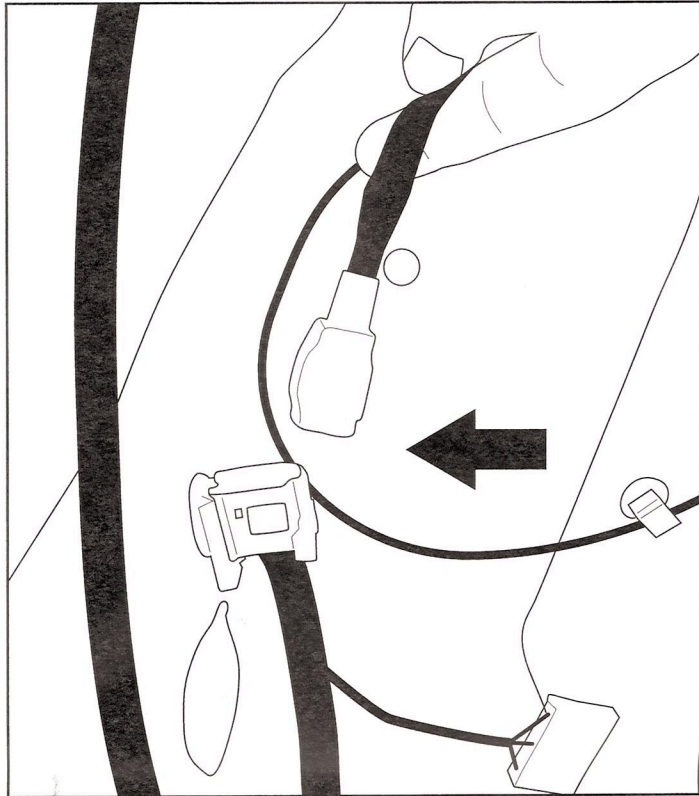


# Installation Instructions

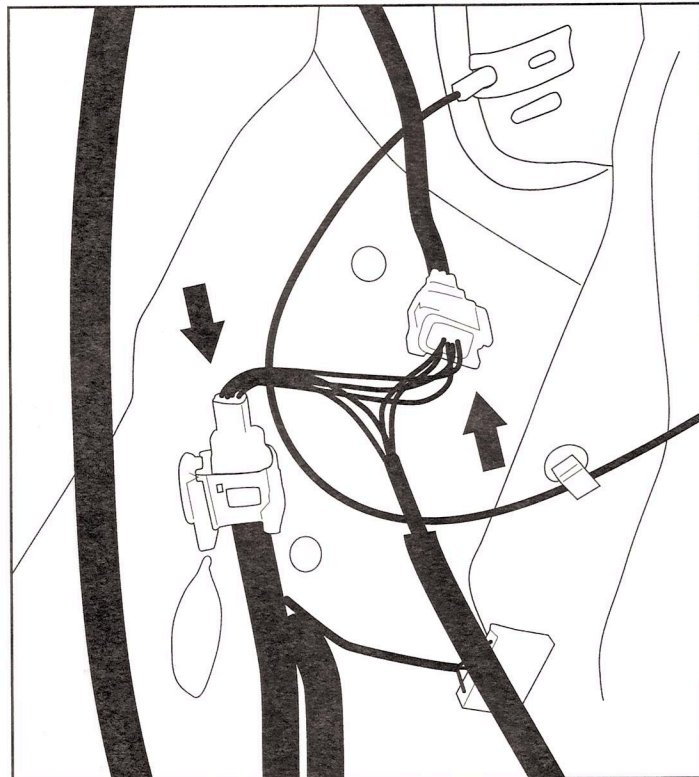
## Mazda CX5

Part Number:  
00CT-88-C57H

6. Beginning on the driver's side, separate the vehicle's wiring connectors, being careful not to break the locking tabs.



7. Insert the short T-Connector end between the vehicle connectors. Be sure that connectors are fully inserted with locking tabs in place. All connector surfaces should be clean and free of dirt.



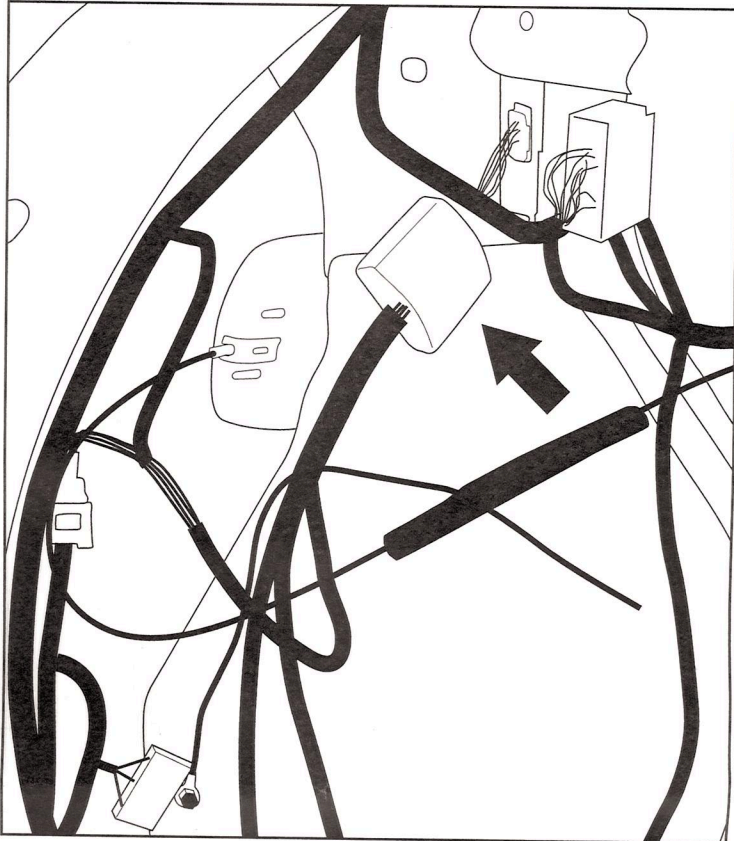


# Installation Instructions

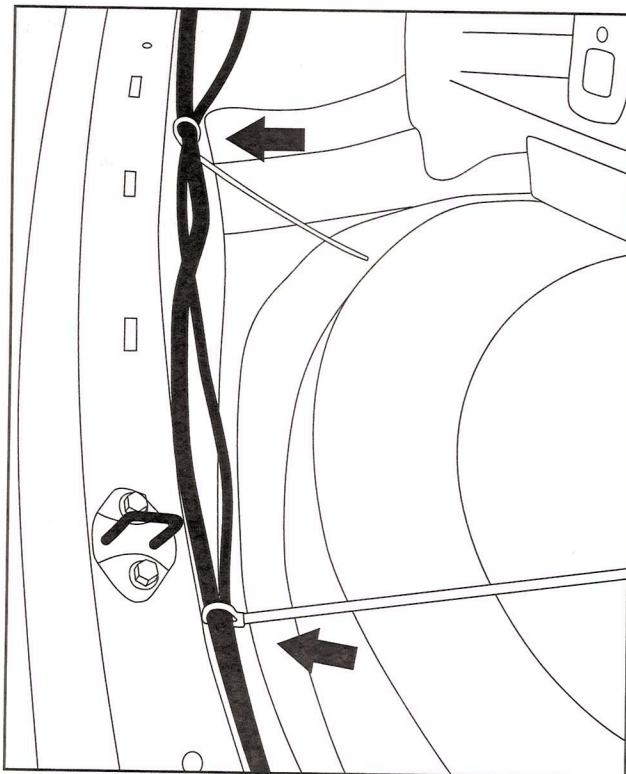
## Mazda CX5

Part Number:  
00CT-88-C57H

8. Mount the black box in this area using the double-sided tape provided. Ensure the surface is flat and clean.



9. Route the long T-Connector end from the black box to the passenger side of the vehicle under the threshold following the existing wiring. Use 4 cable ties to secure harness and prevent rattling.
10. Repeat steps 6 and 7 on the passenger's side with the long end of the T-Connector harness.



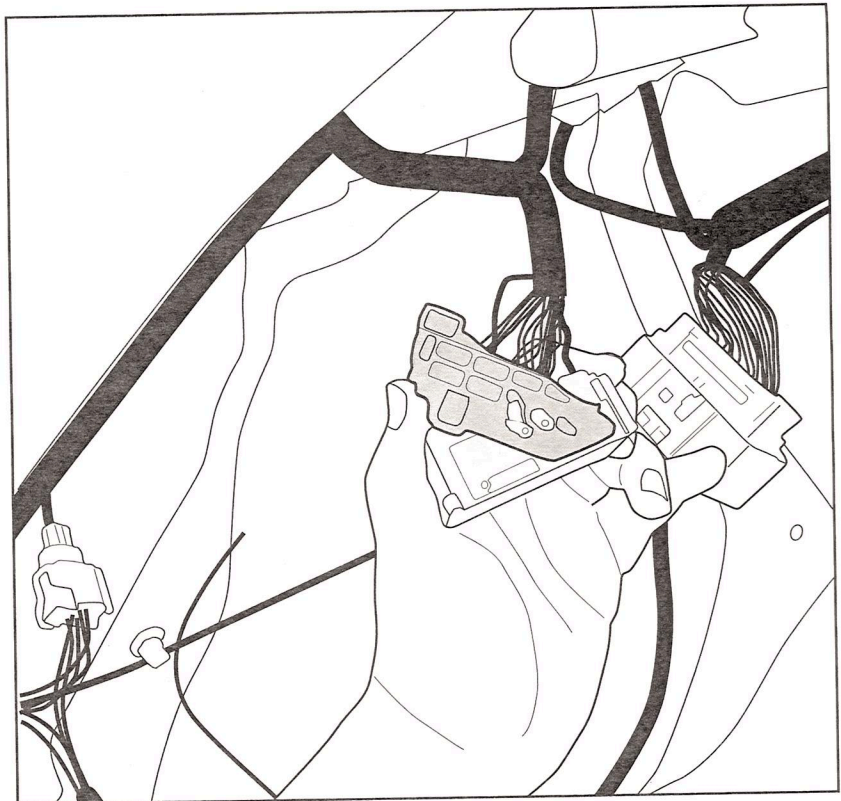
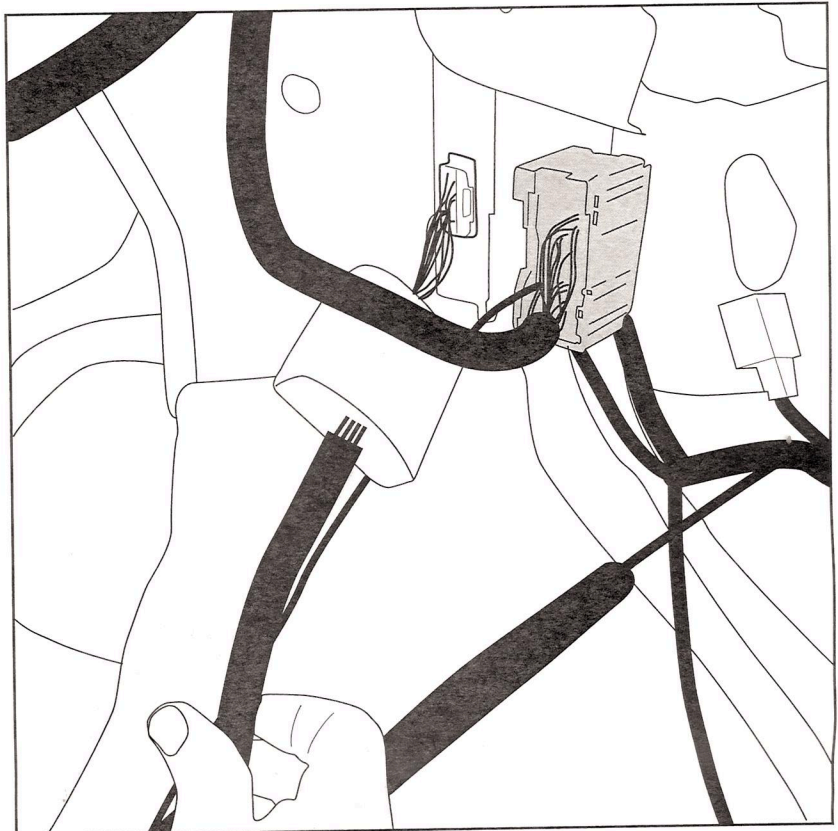


# Installation Instructions

## Mazda CX5

Part Number:  
00CT-88-C57H

11. Locate and disconnect the large Grey housing shown. To disconnect swing the black handle to the unlock position then pull housings away from each other.





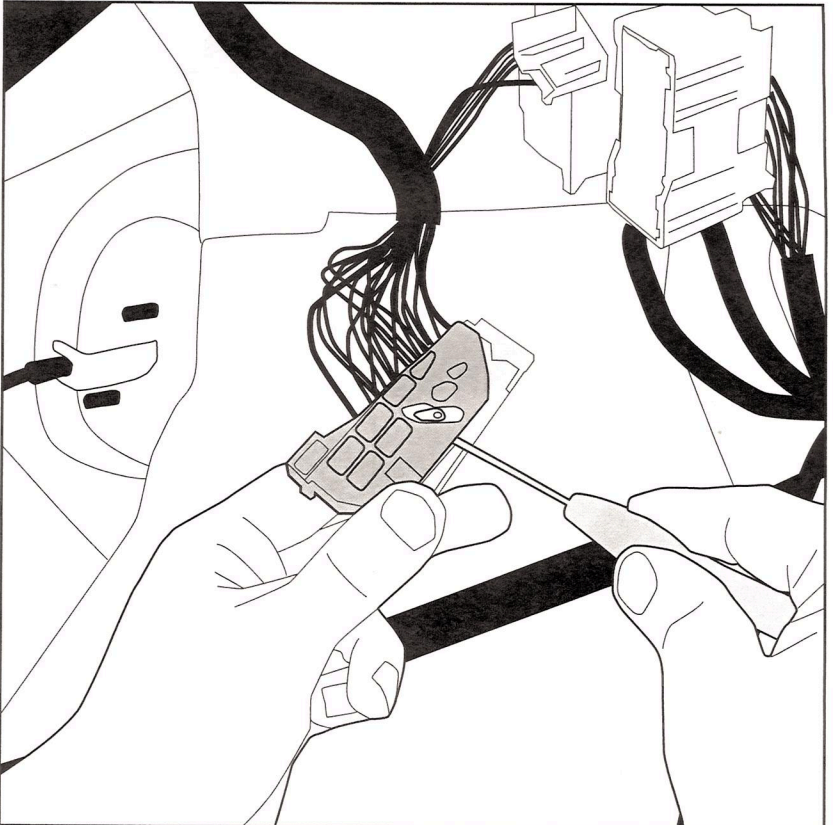
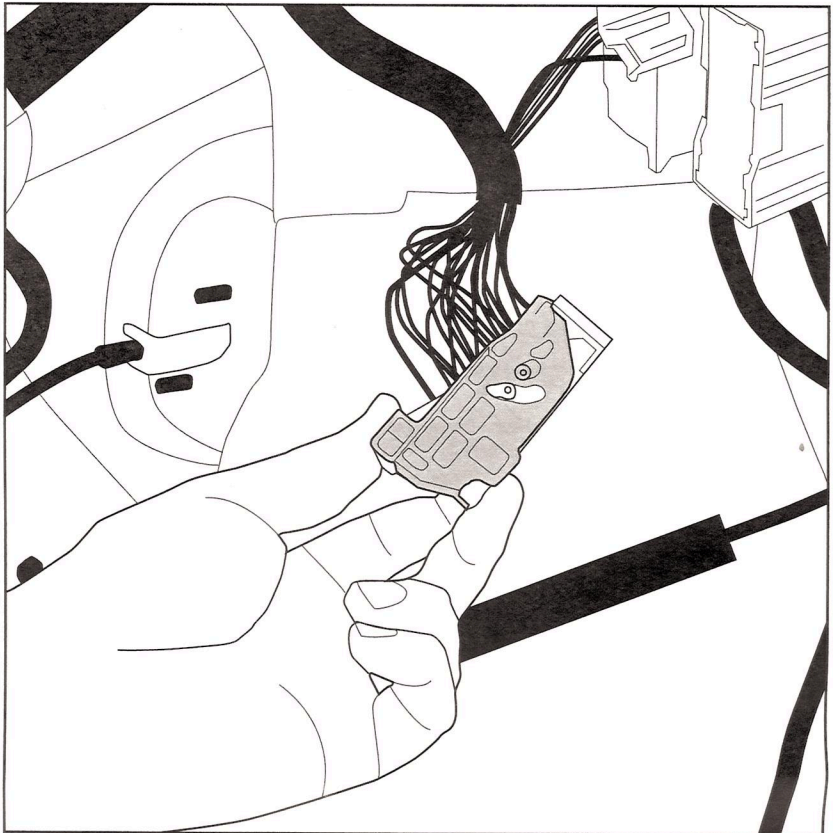


# Installation Instructions

## Mazda CX5

Part Number:  
00CT-88-C57H

12. With the Grey Housings separated, close the black handle and use a small screwdriver or tool to pry the black handle off the housing. The Black handle must be in the closed position to safely remove.



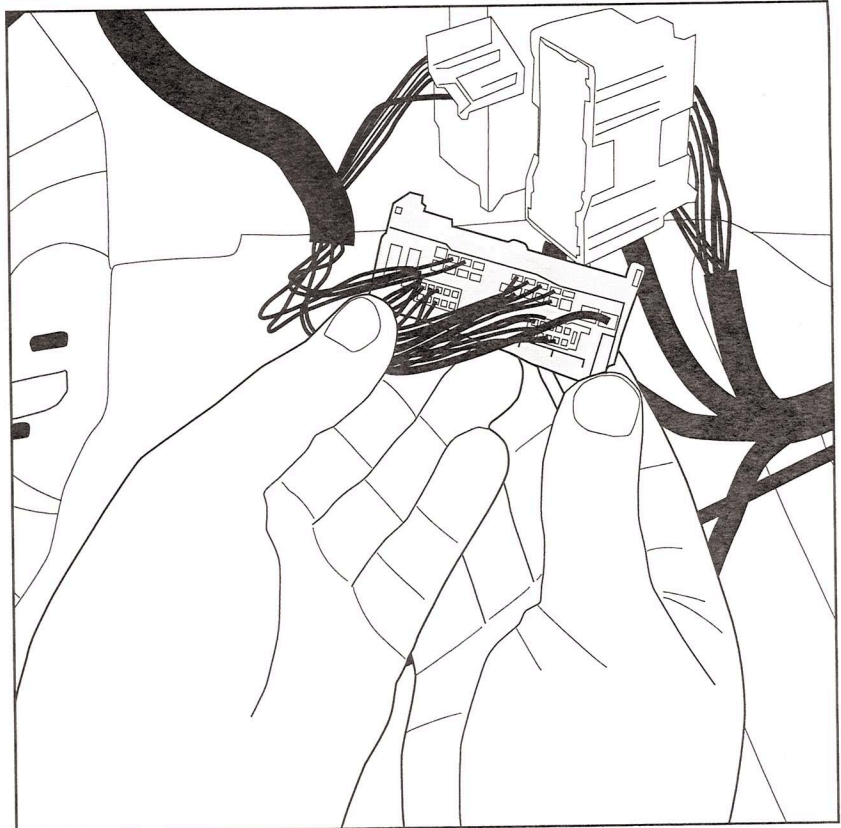
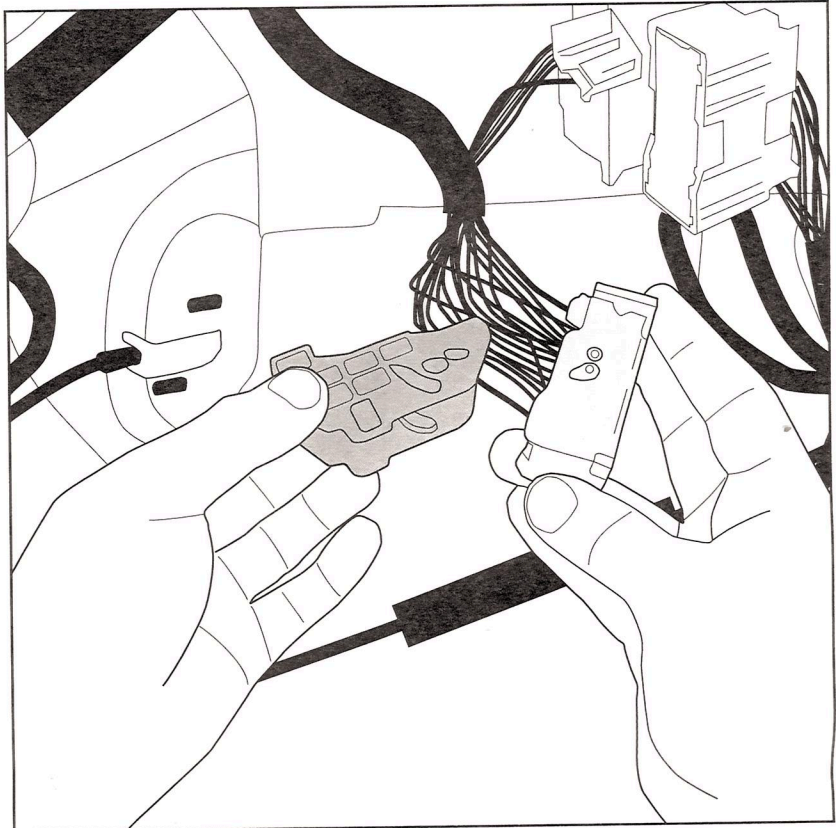


# Installation Instructions

## Mazda CX5

Part Number:  
00CT-88-C57H

13. With the Black Handle removed, locate and partially release the white terminal lock on top of the Grey Housing. Do not fully remove this lock.





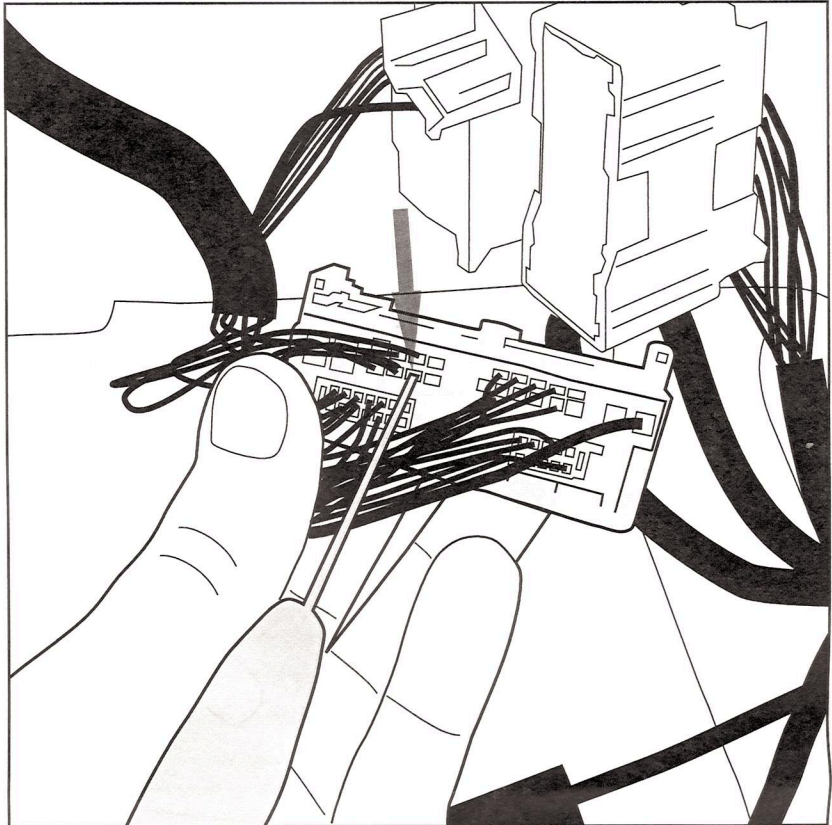


# Installation Instructions

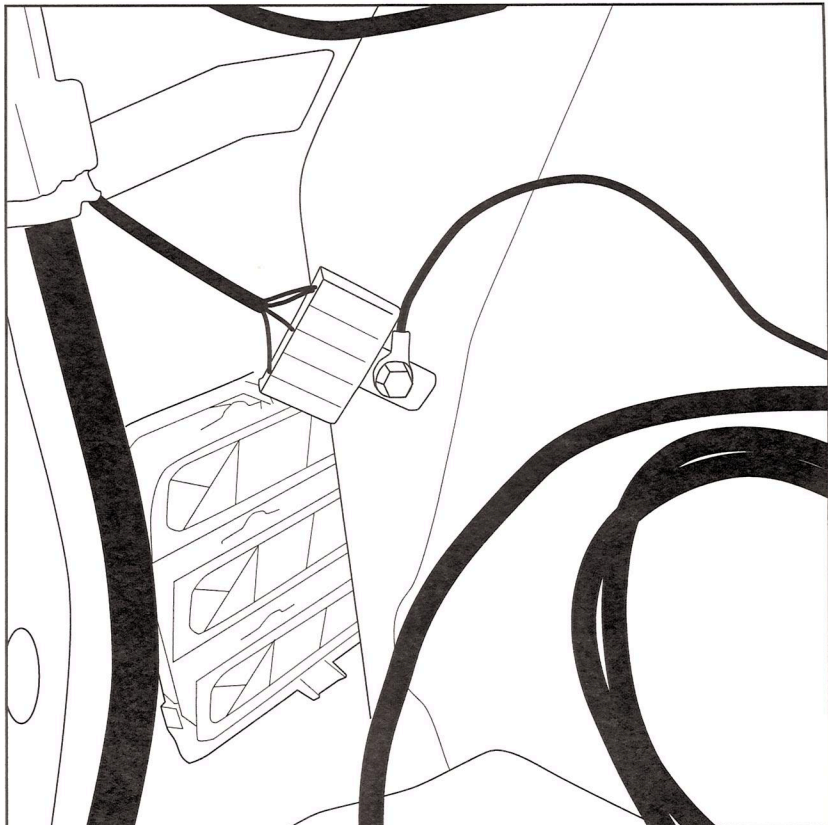
## Mazda CX5

Part Number:  
00CT-88-C57H

14. Insert the Black wire with male terminal into housing cavity (R). Push the white terminal lock back into place. Reattach the black handle. Reinsert grey housing into mating housing, and swing the black handle back into the locked position.



15. Ground the Trailer Tow Harness by attaching the ring terminal on the white wire to the existing ground stud.



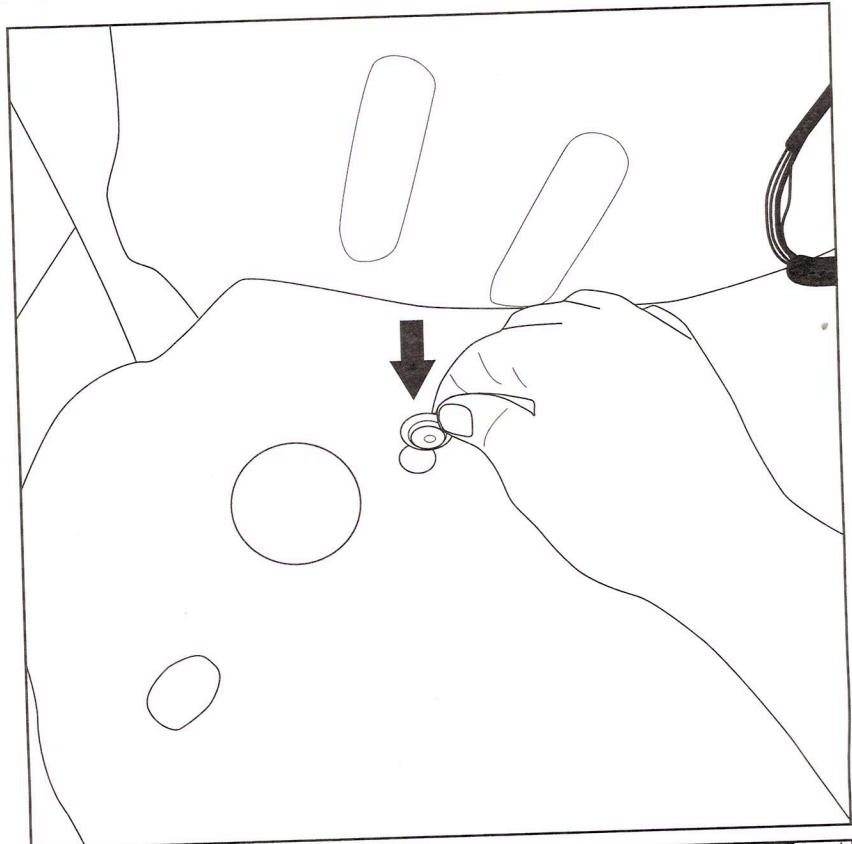


# Installation Instructions

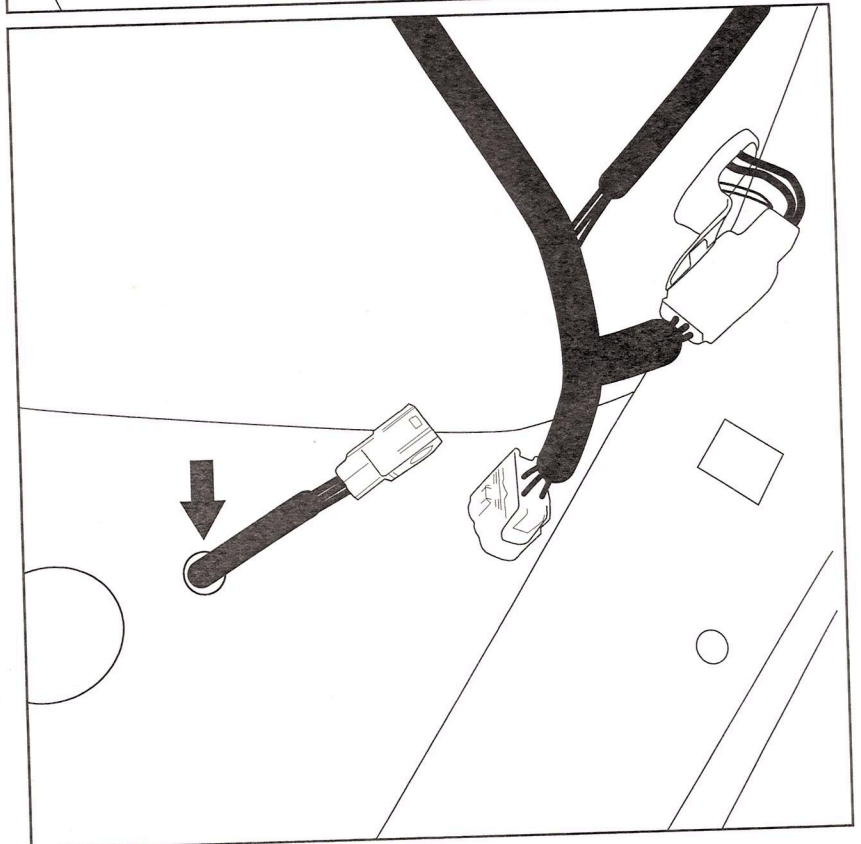
## Mazda CX5

Part Number:  
00CT-88-C57H

16. Locate and remove the small round grommet located just behind the wheel well on the drivers side floor of the cargo compartment.



17. From underneath the vehicle feed exposed terminal end of the 4-flat harness through the grommet and seat grommet.



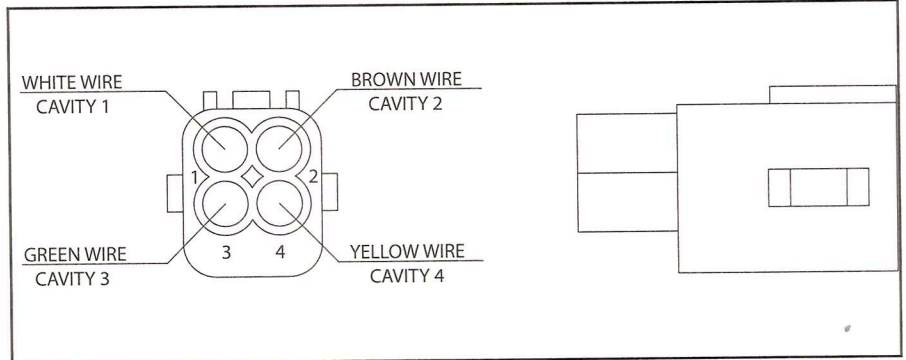


# Installation Instructions

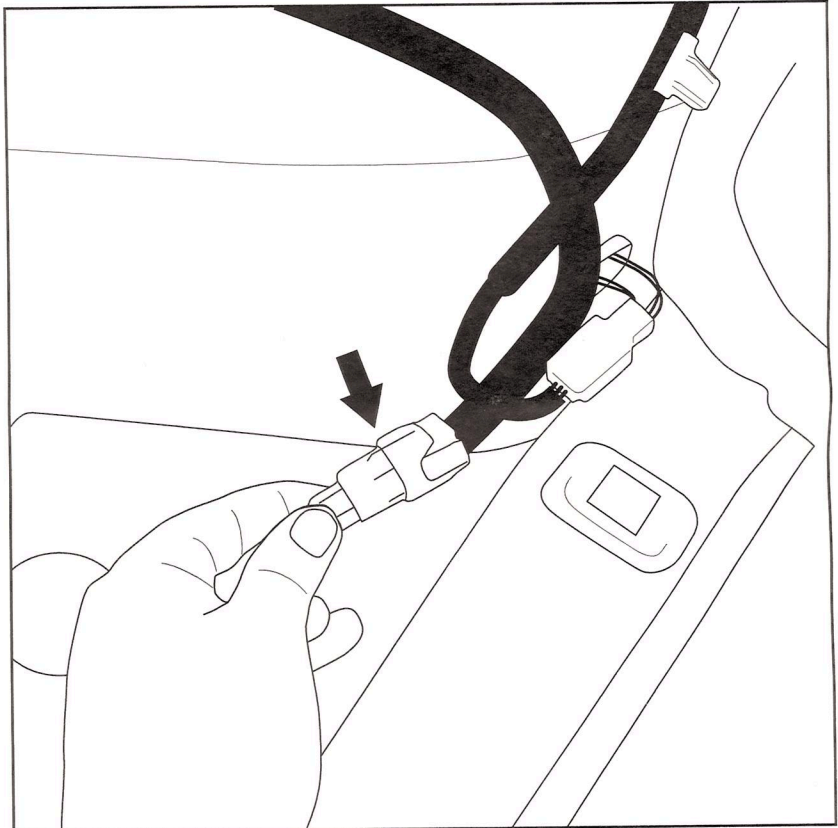
## Mazda CX5

Part Number:  
00CT-88-C57H

18. Use diagram to populate the included housing with harness routed into the cargo compartment.



19. Connect the 4-Flat Harness to the mating end of the trailer tow harness. All connector surfaces should be clean and free of dirt.





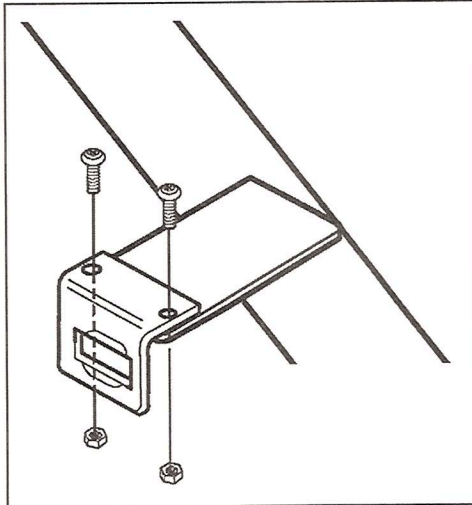


# Installation Instructions

## Mazda CX5

Part Number:  
00CT-88-C57H

20. Mount the 4-Flat bracket to hitch using two #10 screws and nuts, before installing hitch on vehicle.



21. Mount with the ground stud on the left hand side of the bracket. Push the 4-Flat through the bracket until the first rubber detent is visible and the connector is firmly locked into position.
22. Reconnect negative battery terminal. Test and verify installation with a test light or volt meter.
23. Replace 2 trim panel screws, push pin, threshold, storage trays, and floor covering.

