

KIT038008

GENUINE CARGO STORAGE SHELF

INSTALLATION AND USER'S INSTRUCTIONS



Thank you for purchasing a Genuine Mazda Accessory.


Before removal and installation, please thoroughly read these instructions.

For your safety, please read the contents of this booklet to properly install and use the cargo storage shelf kit.

Keep these instructions with your vehicle records for future reference.

WARNING

• There are several  WARNING and  CAUTION sections in this booklet concerning safety when installing the cargo storage shelf. Always read and follow the instructions in order to prevent injuries, accidents, and possible damage to the vehicle.

 WARNING: Indicates a situation in which serious injury or death could result if the warning is ignored.

 CAUTION: Indicates a situation in which bodily injury or damage to the vehicle could result if the caution is ignored.

- Do not modify the cargo storage shelf.
- Do not install the cargo storage shelf in any way other than described in the following instructions.
- If in doubt, please contact your Mazda dealer to install the accessory in order to prevent errors in installation.
- If you have any questions about the use of the accessory, ask your Mazda dealer for proper advice before using it.
- Mazda and its suppliers are not responsible for injuries, accidents, and damage to persons and property that arises from the failure of the dealer or installer to follow these instructions.
- To ensure safety and reliability of the work, installation, removal and disposal work must be carried out by an Authorized Mazda Dealership.
- Be careful not to lose removed parts, and be sure that they are kept free of dirt, scratches, or damage.

PART NAME:	CARGO STORAGE SHELF
PART NUMBERS:	0000-8B-R25
VEHICLES:	MAZDA CX-5

NOTE

To the dealer

- Please turn over these instructions to the customer after installation.

To the customer

- Keep these instructions after installation. The instructions may be necessary for installing other optional parts or removal of this accessory.
- Should the vehicle or this accessory be resold, always transfer these instructions to the next owner.





GENUINE ACCESSORIES

INSTALLATION INSTRUCTIONS

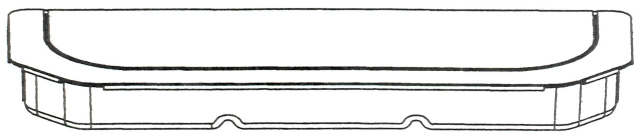
PART NUMBERS: 0000-8B-R25

Cargo Storage Shelf

APPLICABLE MODELS:

2016> Mazda CX-5

PACKAGE CONTENTS:



CARGO STORAGE SHELF X1



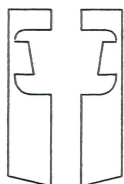
BRACKET RHS X1



BRACKET LHS X1



THUMB SCREW X2



TEMPLATE X2 (L/R)



ALCOHOL PREP PAD X2



ADHESION PROMOTER X2

Tools Required:



SOFT LINT FREE CLOTH



MASKING TAPE



RUBBER ROLLER



NON-PERMANENT PEN



CAUTION: Make sure to follow the instructions carefully to ensure correct installation.

BEFORE INSTALLATION:

1. Read entire Installation Instructions before proceeding.
2. Vehicle must be at room temperature. This is recommended to allow the tape to adhere in temperatures over 50°F for at least 30 minutes.
3. Clean the area around the installation area prior to installation using a mixture of 50/50 isopropyl alcohol and water.
4. Allow vehicle to dry.

1. Position Side Templates: (RHS Shown, identical steps apply for LHS)

- A. Open lift gate/trunk.
- B. Fold the die cut templates at the dotted lines.
- C. Place the die cut templates into position at the rear quarter panel, aligning to the hole (Figure 1).
- D. Tape templates into place (Figure 2).

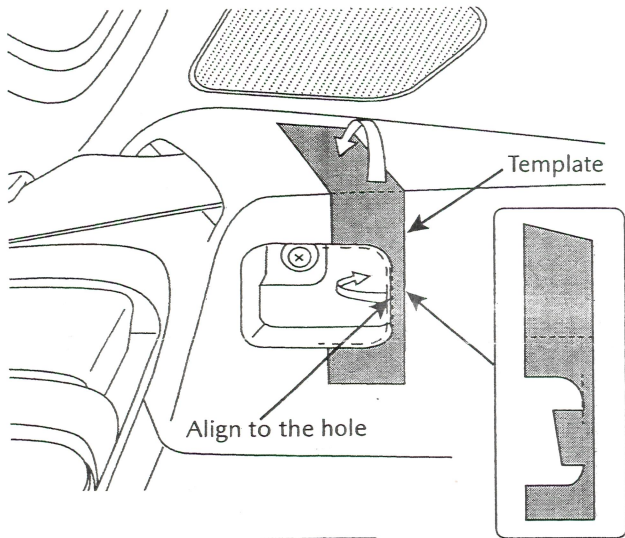


Figure 1

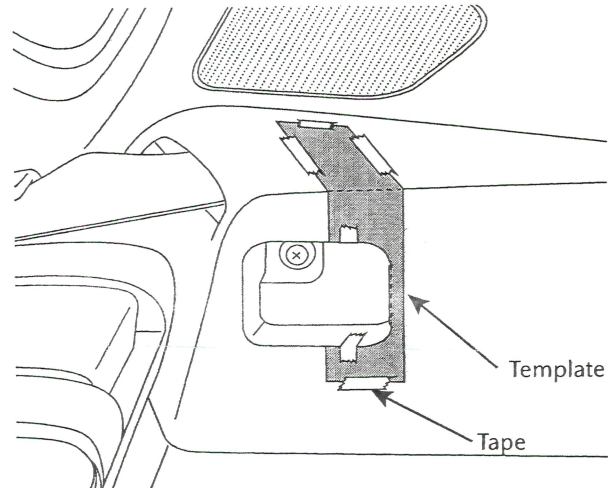


Figure 2

2. Prepare Surface:

- A. Trial fit the side bracket and align with the template. Mark the bracket perimeter with non marking pen (Figure 3).
- B. Mask the area with painters masking tape on the outside of the marked line (dotted line) (Figure 4).
- C. Clean the tape attachment areas on the rear quarter panel as shown, thoroughly with the alcohol prep pad provided and allow to dry.
- D. Apply adhesion promoter directly onto the tape attachment areas of the surface (Figure 4).
- E. Allow promoter to dry for 90 seconds.

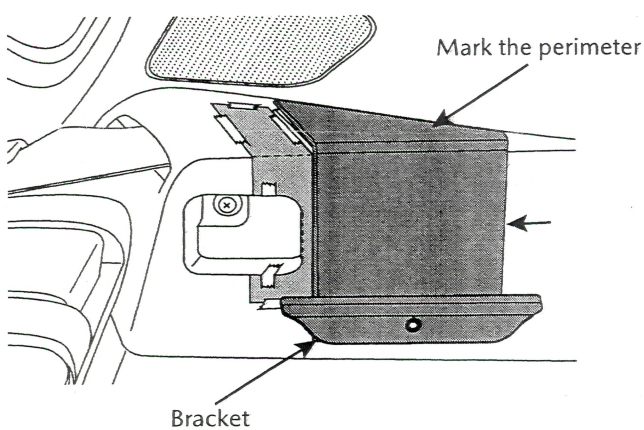


Figure 3

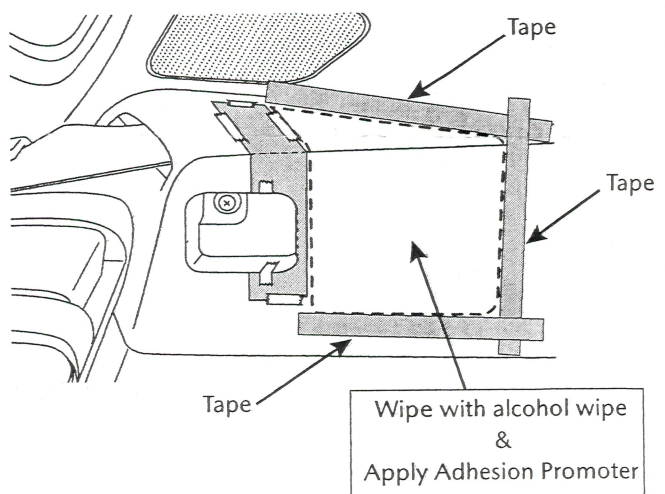


Figure 4

3. Prepare Cargo Storage Shelf Brackets: (RHS Shown, identical steps apply for LHS)

- A. Peel back the red tape liner from each of the tape section and fold at 45 degrees, approximately 50mm (2") outside of the cargo storage shelf bracket.
- B. Fully remove the red tape liner from the top surface (Figure 5).
- C. Do not touch the exposed surface of the adhesive tape.

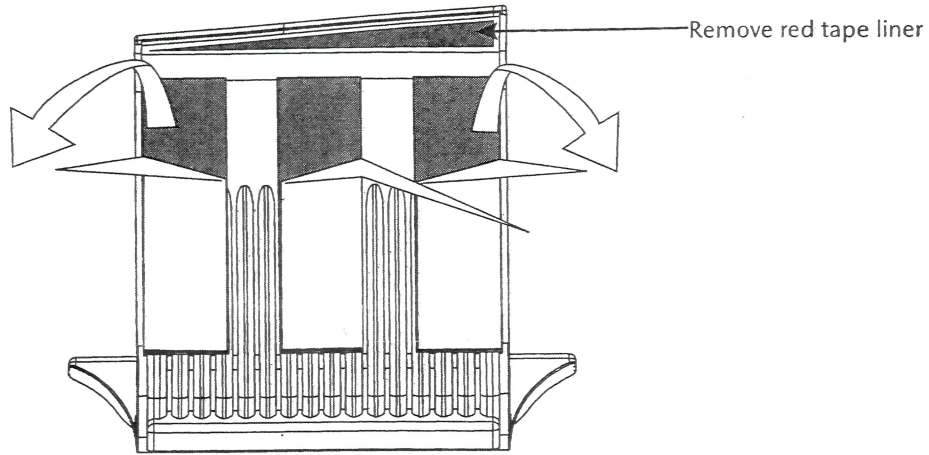


Figure 5

4. Trial and Fit Cargo Storage Shelf Brackets:

- A. Trial fit the Cargo Storage Shelf Brackets by aligning the bracket with the die cut templates. Ensure that the adhesive tape does not overlap the die cut templates.
- B. Align the top of the Cargo Storage Shelf Brackets to the panel surface first (Figure 6).
- C. Apply light pressure to the tape areas (Figure 7).
- D. Peel the red liner tapes away from behind.

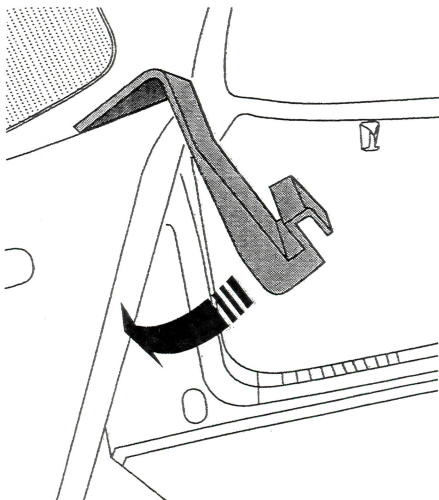


Figure 6

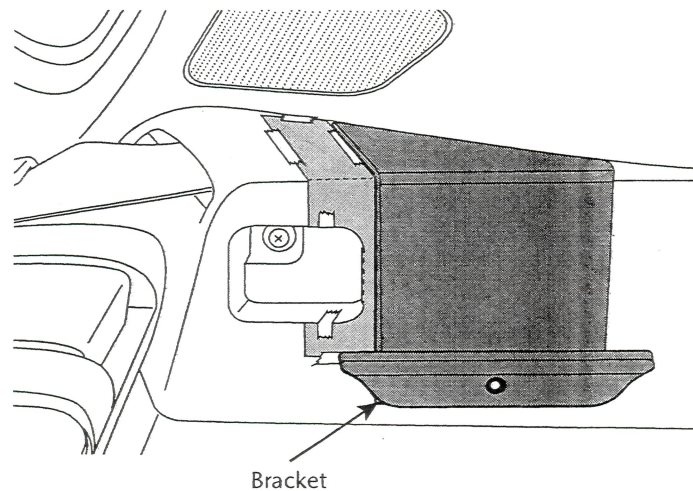


Figure 7

5. Apply Pressure to Cargo Storage Shelf Bracket:

- A. Using a rubber roller, starting from the center out, press down the perimeter of the part to ensure proper bond of adhesive. Use caution to ensure roller does not scratch the vehicle.
- B. Inspect for proper adhesion and placement. Verify the part is not loose at any corner.

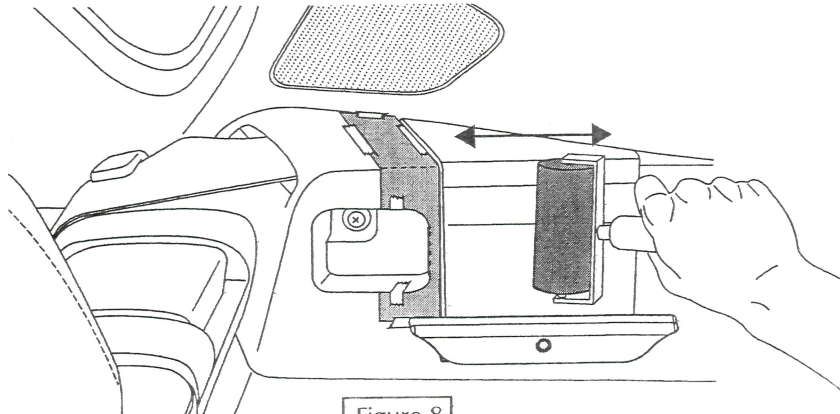


Figure 8

6. Remove the die cut templates and tape. Wipe the area to remove any marks or smudges.

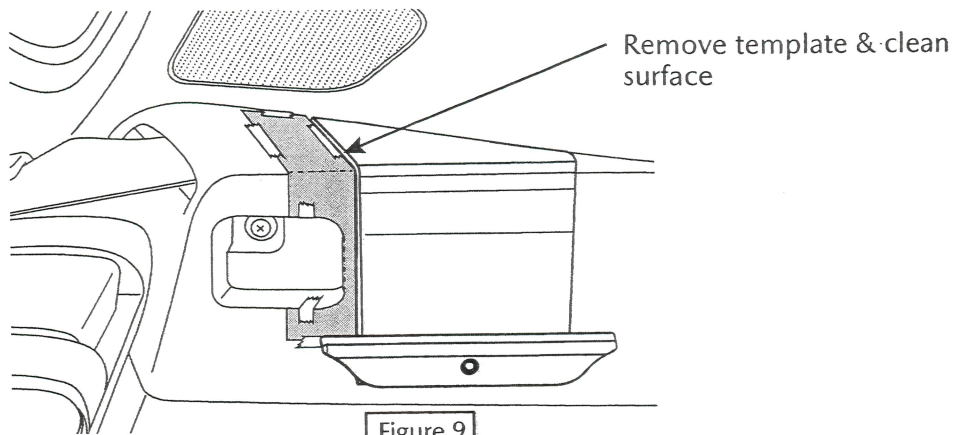


Figure 9

7. Position Cargo Storage Shelf onto the brackets.

- A. Place Cargo Storage Shelf onto the brackets and line up the holes (unzip the top cover of the cargo storage shelf).
- B. Screw in the Thumb Screws.

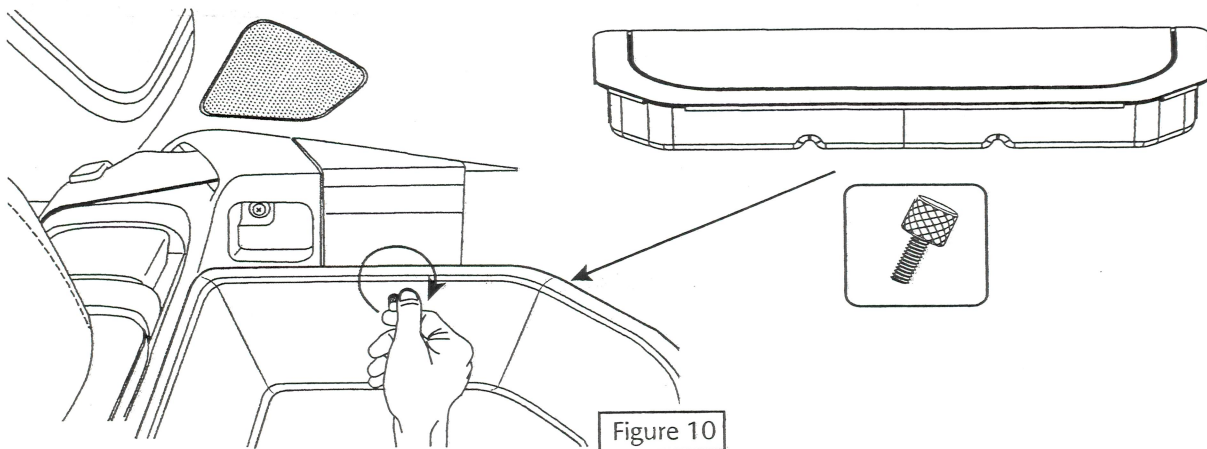


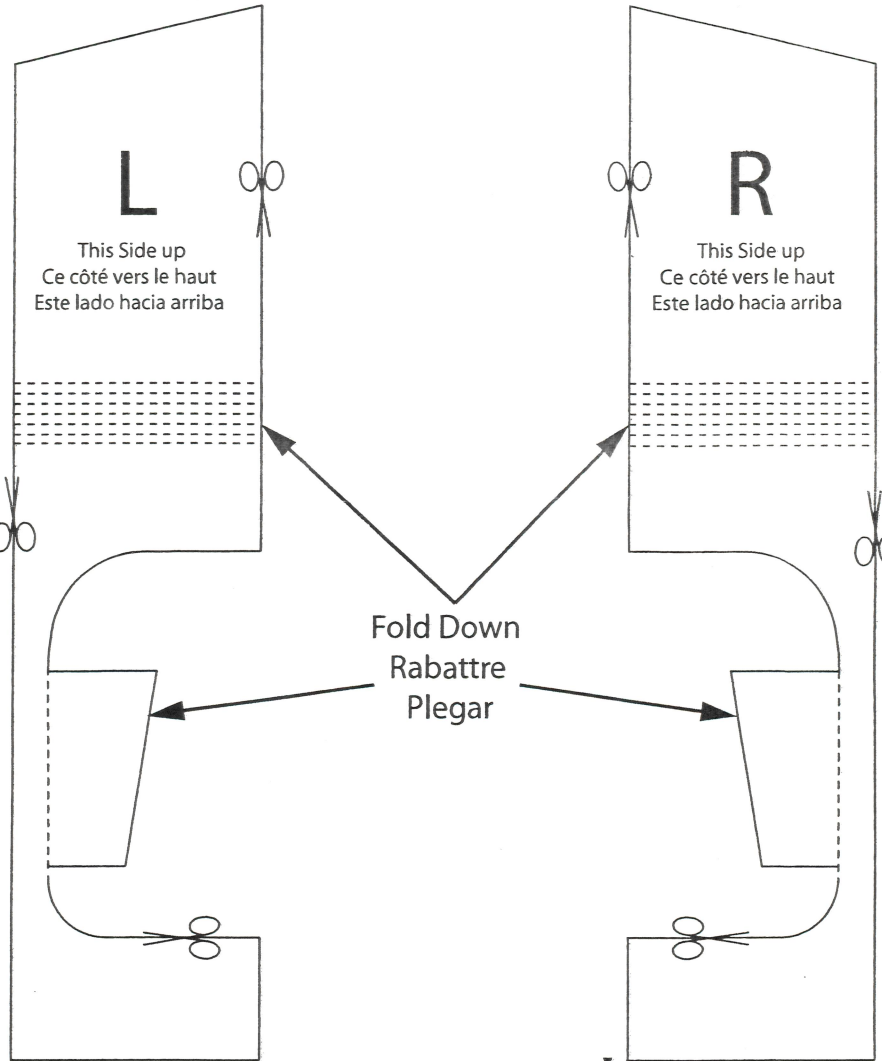
Figure 10

**INSTALLATION
INSPECTION
SHEET**

CARGO STORAGE SHELF

(Mazda CX-5)

0000-8B-R25



Align to edge of trim where it meets the upper side trim
Aligner sur le bord de la garniture là où elle rencontre la garniture supérieure
Alinear con el borde del borde donde se encuentra con el borde lateral superior

Fold Down
Rabattre
Plegar

Inspection after installation

- Inspect the installed / reinstalled parts for the following items.

Inspection Parts	Check Item (o)			
	Clearance / Fit	Scratches / Dirt	Installation / Engagement	Operation Check
Cargo Storage Shelf	o	o	o	
Brackets L&R	o	o	o	
Thumb Screws L&R	o	o	o	

Date:

Vin:

Approved

Checked

Person in Charge