

ARQ®



By WOODARQ



ARQ® INSTALLATION MANUAL

(713) 570-6137

contact@woodarq.com

Woodarq.com

Installation Instructions

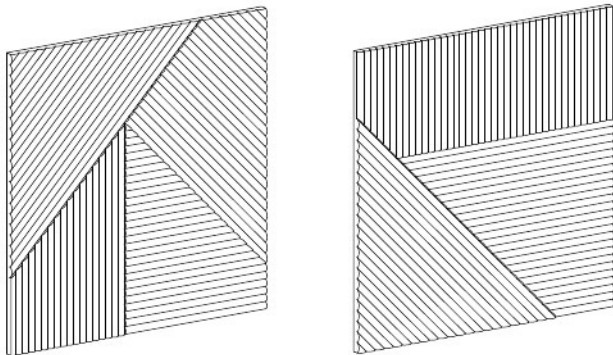


WHAT YOU WILL NEED:



Care and Maintenance:

We recommend adding a protective finish to the panels if possible. Something like wood oil is perfect as it protects and keeps the natural look and feel of the wood. Once this is applied, light dusting or hovering will prevent any dust build-up. If you choose to keep the panels without a finish, then a dry cloth can wipe the panels down.



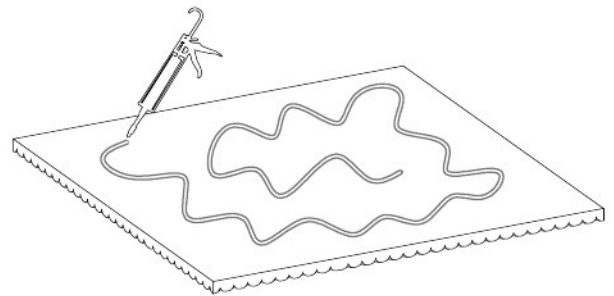
How to Cut ARQ®

We recommend a construction sawing machine to cut the desired direction for best results. A sharp manual saw is acceptable but will not guarantee the best outcome.

How to Install ARQ®

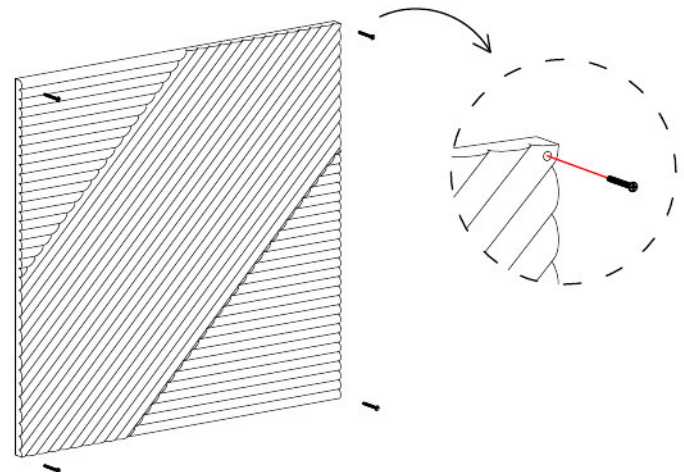
1. Way 1 (Difficulty - Easy):

Gluing straight to the wall; Apply construction glue or adhesive to the back of the panel and stick to the wall.



2. Way 2 (Difficulty - Medium):

Screwing to the wall; Using appropriate screws (depending on the backing), the panels can be screwed directly into the wall through the corner of the panel. Recommended: 2 screws per panel at even distribution width and length wise.



For installation help, please contact:

contact@woodarq.com

ARQ® | 
By WOODARQ

Woodarq.com