



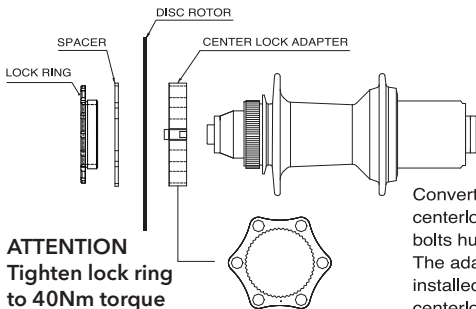
**SHIMANO® center lock disc hub adaptor. Change center lock disc hub to the international 6 bolt standard disc rotor.**

- Compatible with SHIMANO caliper system
- Material: Alloy 6061-T6

Ensure rotor and spacer are slotted cleanly onto the six adaptor pins before tightening.

Tighten lock-ring using Shimano tool TL-FC32.

If you are unsure about fitting consult a qualified cycle mechanic.  
Please use the lock ring supplied with the wheels only.



Converts hubs with centerlock fitting to 6 bolts hubs.  
The adapter can be installed on most centerlock hubs.  
Easy mounting, no bolts needed.