

Adjustable TV height

Easily adjustable screen height between 1104 - 1500mm, so you can find the perfect viewing level.



Tilting Functionality

Tilts +10° ~ -10° to give you the ultimate flexibility when choosing your viewing angle.



Adjustable AV shelf height

Adjustable shelf holds AV components and accessories safely and securely.



Integrated cable management system

Internal cable management allows cables and wires to be routed inside the column for a clean, clutter-free look.



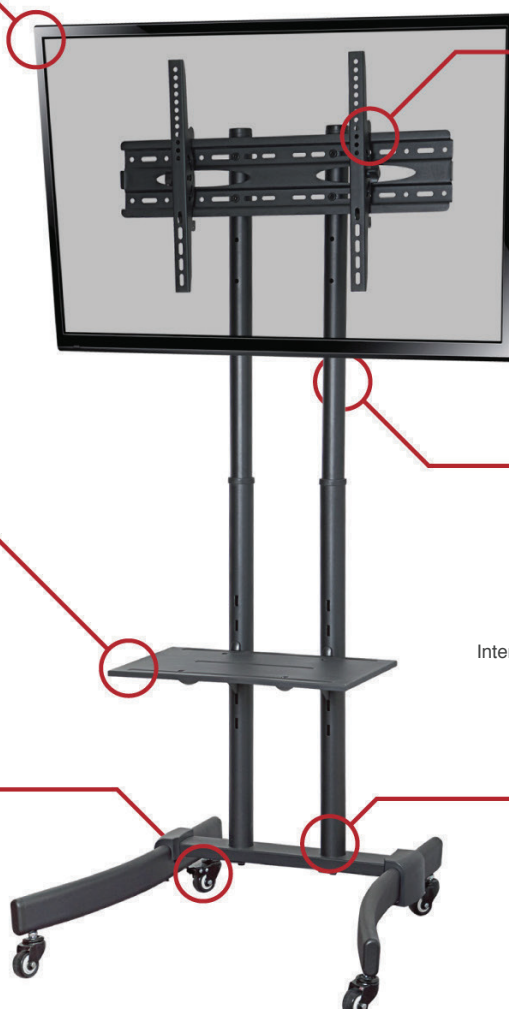
Swivable Lockable Wheels

Swivel wheels make it easy to maneuver your trolley to ensure optimal viewing.



Double post design

This two seamless steel pipe design provides stable and rigid support for your TV.

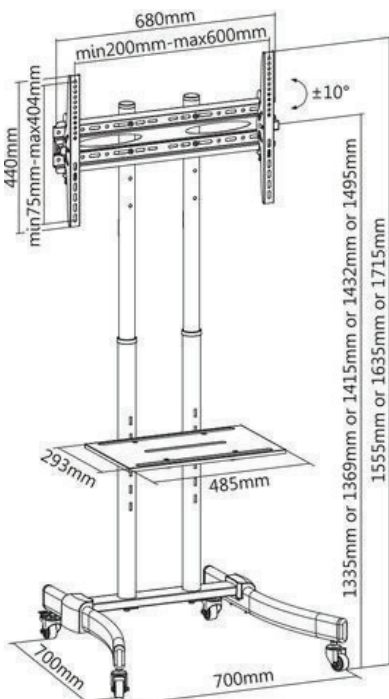


SPECIFICATIONS



TV size	Max load	VESA pattern	Tilt angles	Height adjustment	Materials used
32"-65"	88lb (40kg)	Max 600x400	+10° ~ -10°	104 - 1500mm	Steel, plastic

LINE DIMENSIONS



White model shown

Available in both black and white