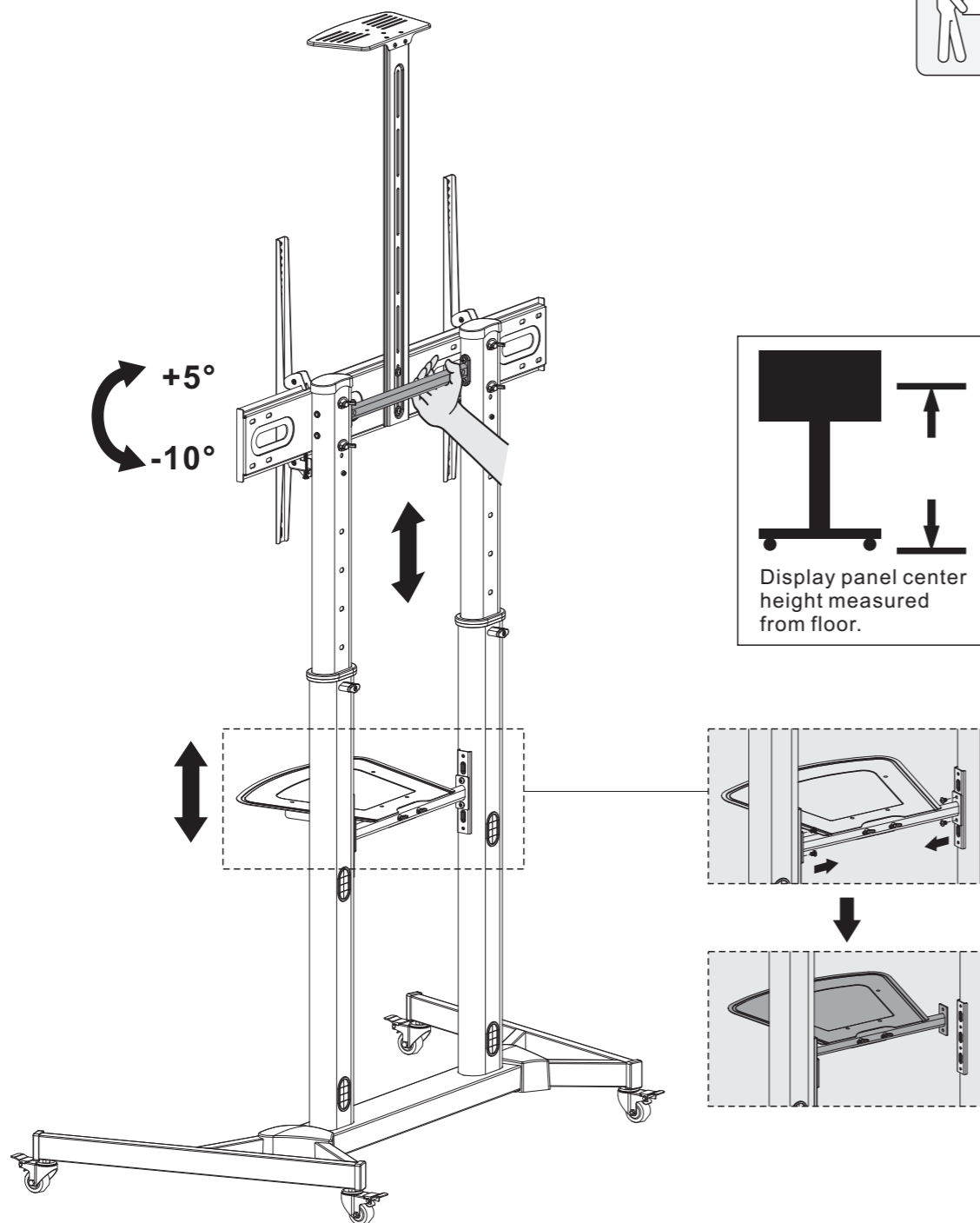


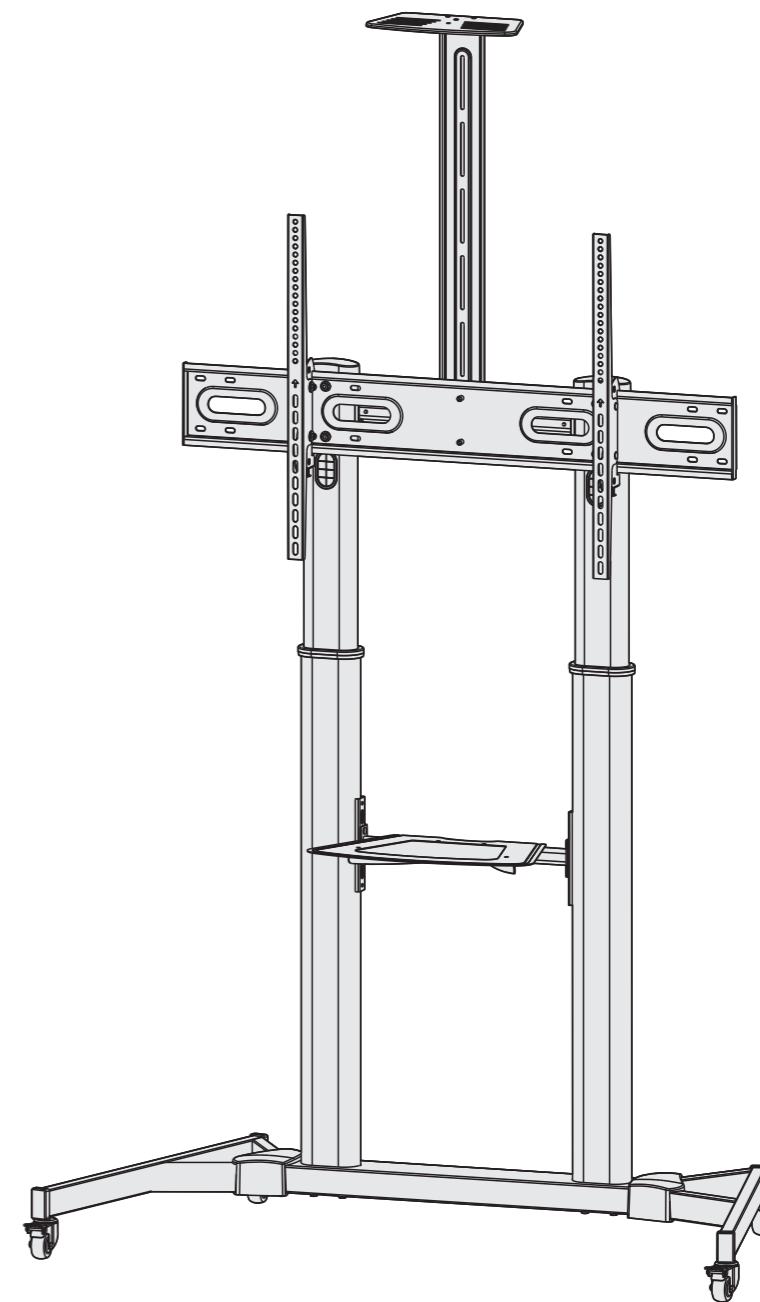
11. Adjustment



Portable TV Trolley Stand

Proper

CAUTION: DO NOT EXCEED RATED LISTED WEIGHT. SERIOUS INJURY OR PROPERTY DAMAGE MAY OCCUR!



- It is recommended to adjust the columns to the desired height before installing the display.
- If you want to adjust the column height after finishing the display installation please remove the DVD shelf first, then adjust the columns to the desired height.

Maintenance

- Check that the bracket is secure and safe to use at regular intervals (at least every three months).
- Please telephone Proper for assistance if you have any questions.

INSTALLATION MANUAL

TV-TL03B



200x200/300x300
400x200/400x400
600x400/800x400
800x600/1000x600



100kg/220lbs



5kg/11lbs



5kg/11lbs

NOTE: Read the entire instruction manual before you start installation and assembly.

⚠ WARNING

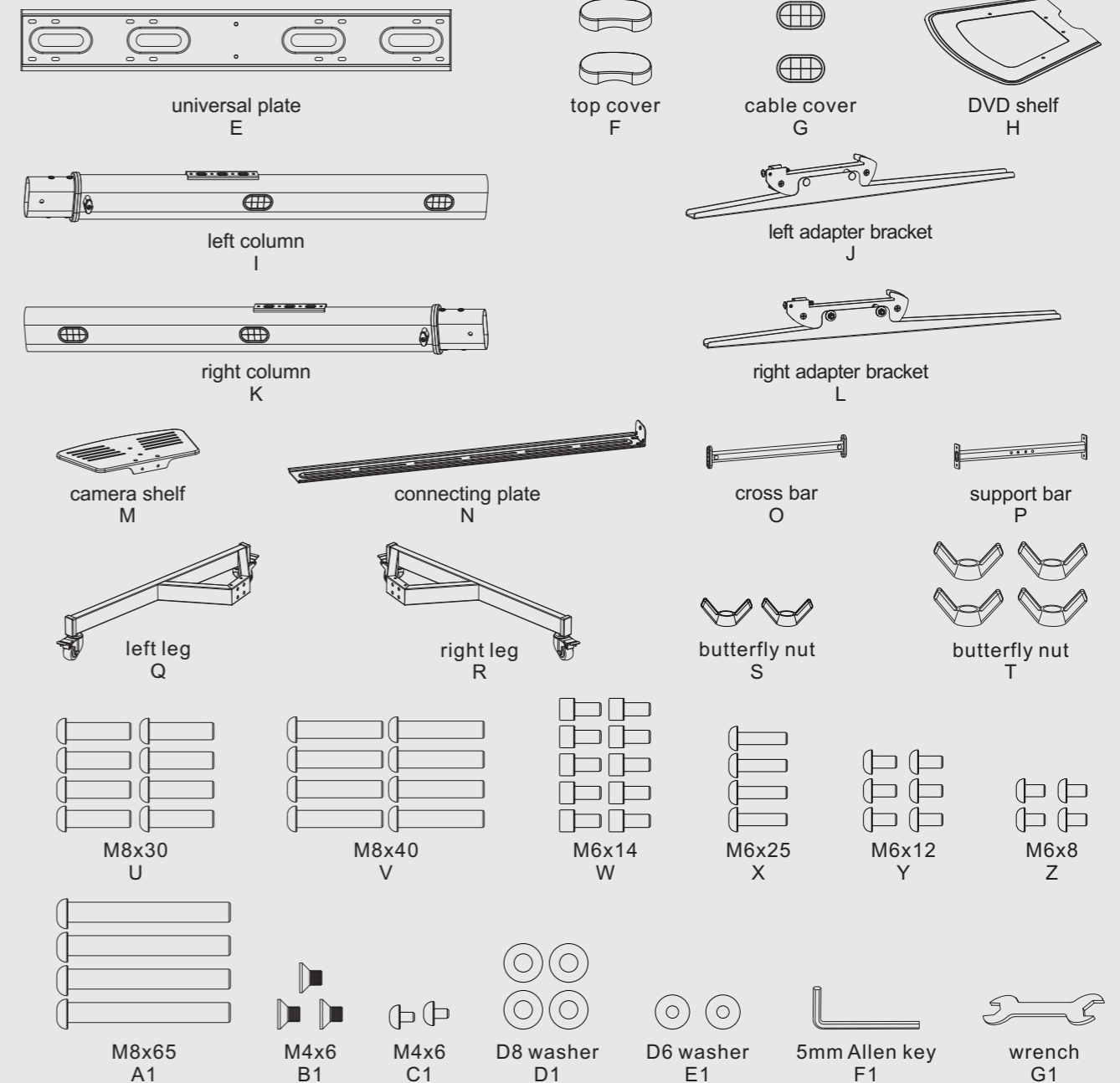
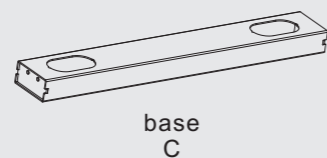
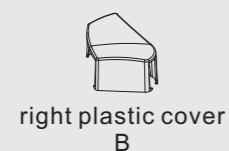
- Do not begin the installation until you have read and understood all the instructions and warnings contained in this installation sheet. If you have any questions regarding any of the instructions or warnings, please telephone Proper for assistance.
- This mounting bracket was designed to be installed and utilised ONLY as specified in this manual. Improper installation of this product may cause damage or serious injury.
- This product should only be installed by someone with good mechanical ability who has basic building experience and fully understands this manual.
- Make sure that the trolley will safely support the combined weight of the equipment and all attached hardware and components.
- Always use an assistant or mechanical lifting equipment to safely lift and position the equipment.
- Tighten screws firmly, but do not over tighten. Over tightening can cause damage to the bracket and tv, this greatly reduces their holding power.
- This product is intended for indoor use only. Using this product outdoors could lead to product failure and personal injury.

Required for Installation

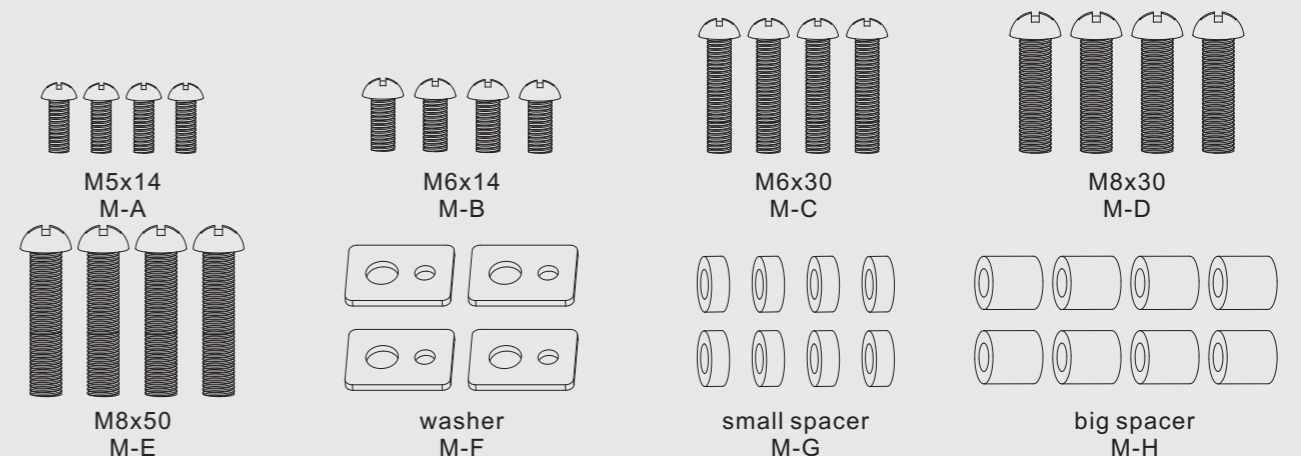


Component Checklist

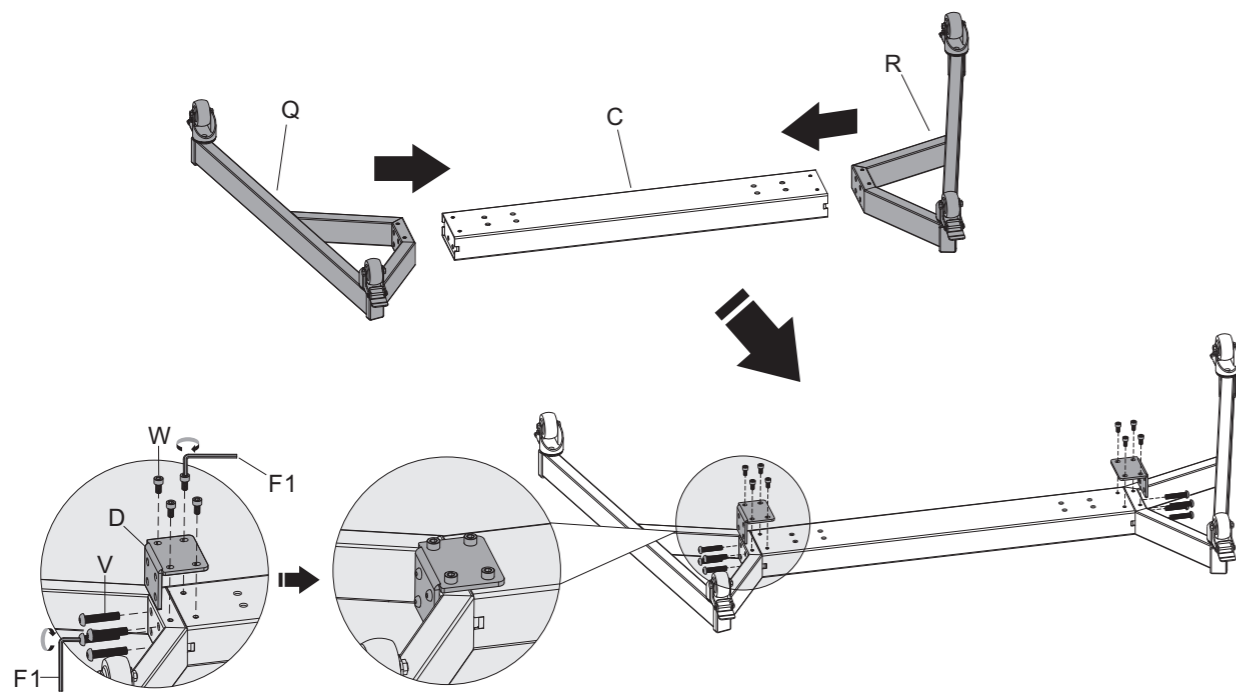
IMPORTANT: Ensure that you have received all parts according to the component checklist prior to installation. If any parts are missing or faulty, telephone Proper for a replacement.



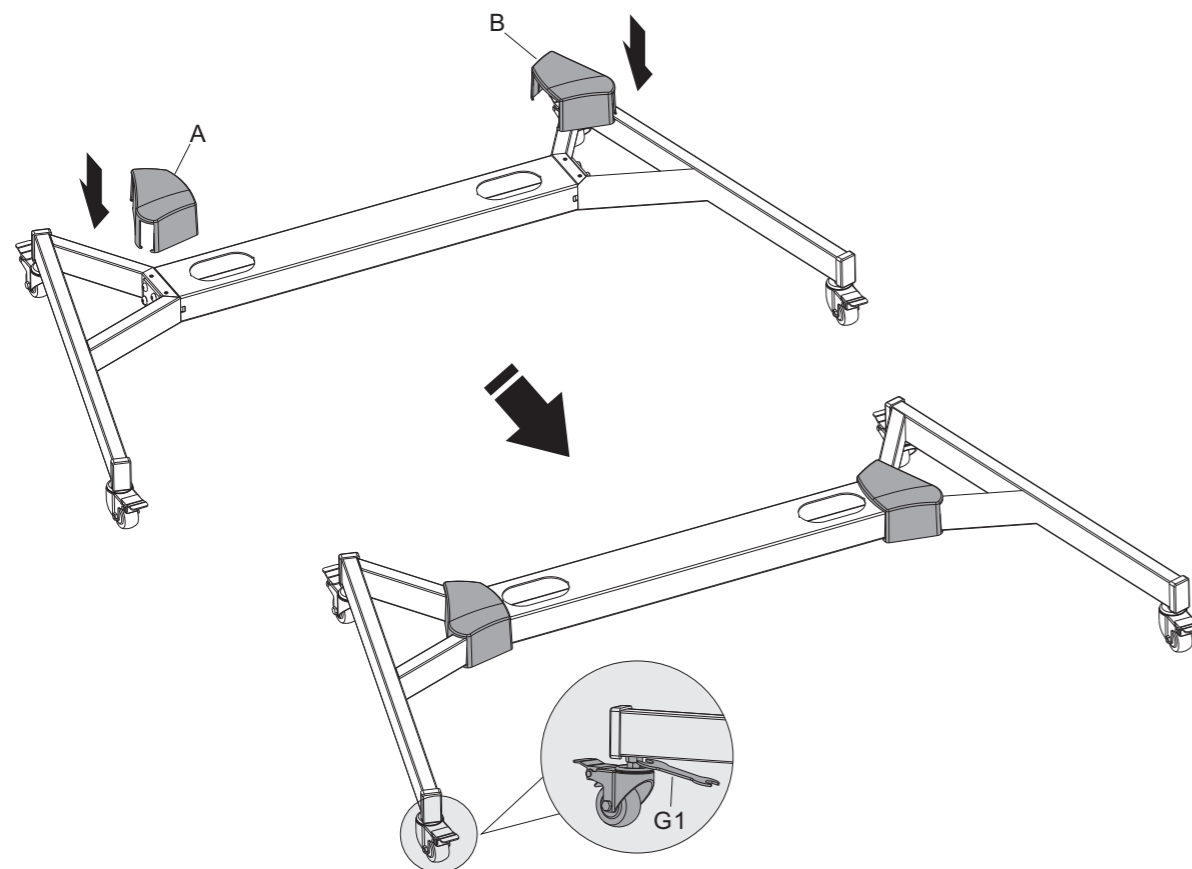
Package M



1. Assembling the Base

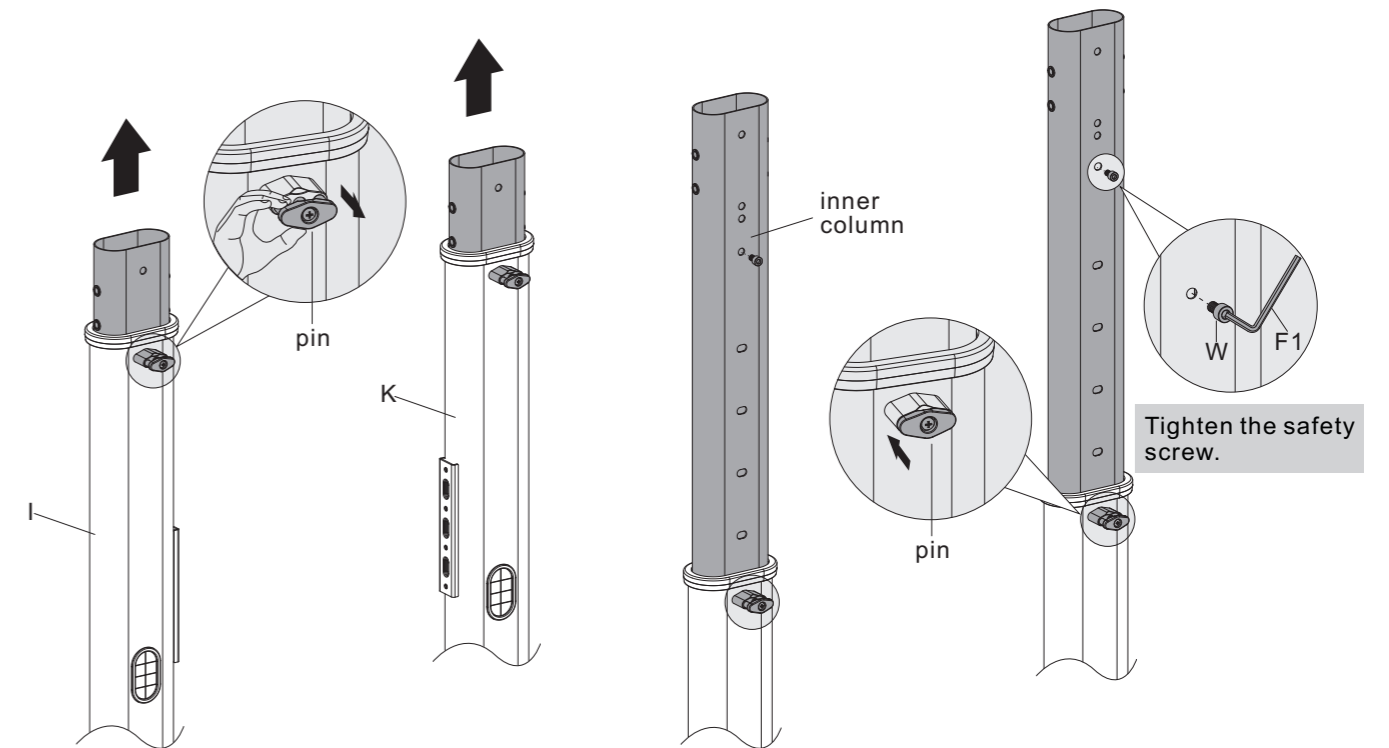


Insert the right leg into the base. Align the holes in the right leg to the holes in the base. Secure with the connecting pieces and the screws. Repeat this step for the left leg.

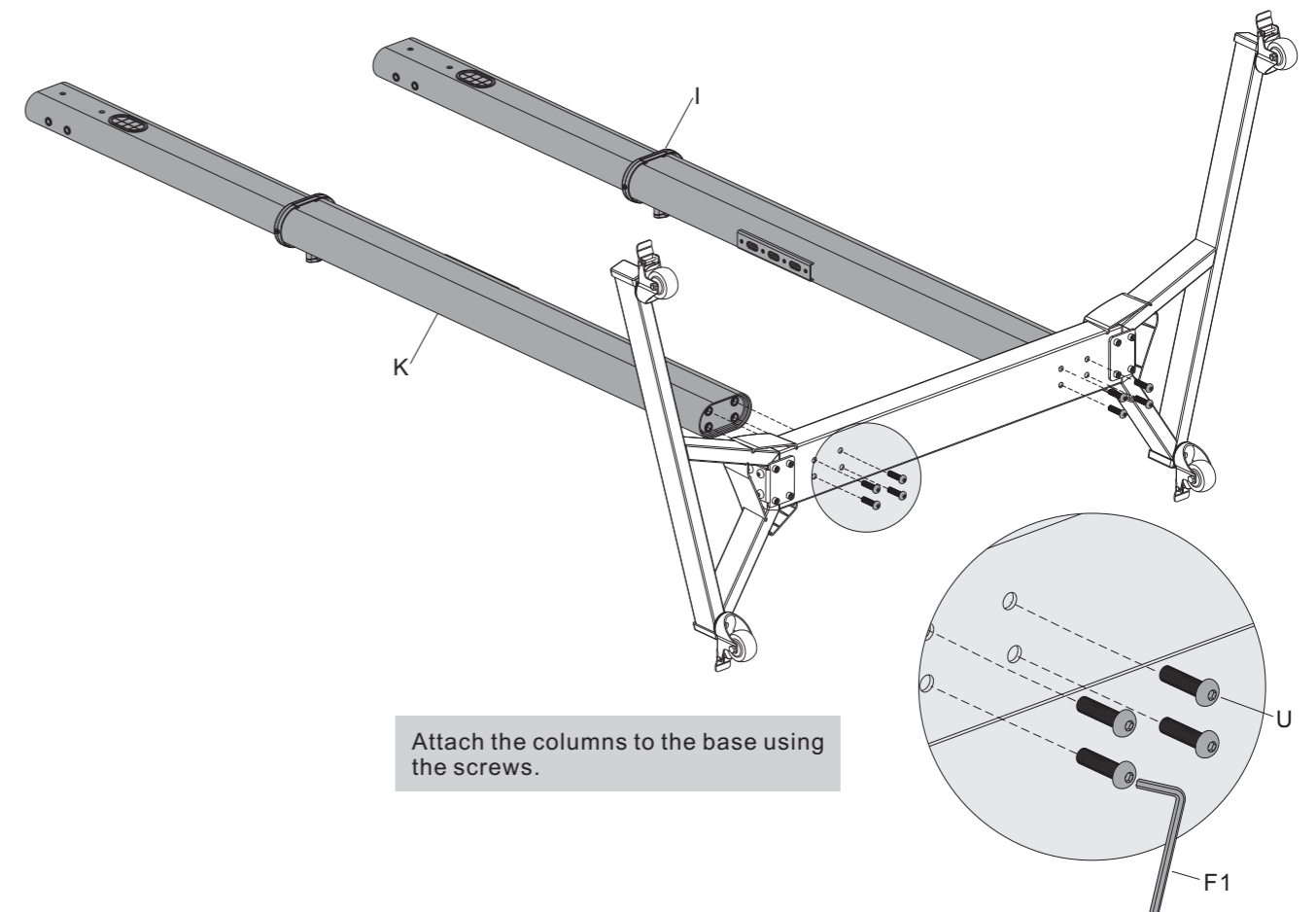


NOTE: Lock the brakes on the casters to avoid any sudden movements during installation. Each caster can be adjusted independently for fine tuning. Slightly turn the nut to lower or raise the base.

2. Attaching the Columns to the Base



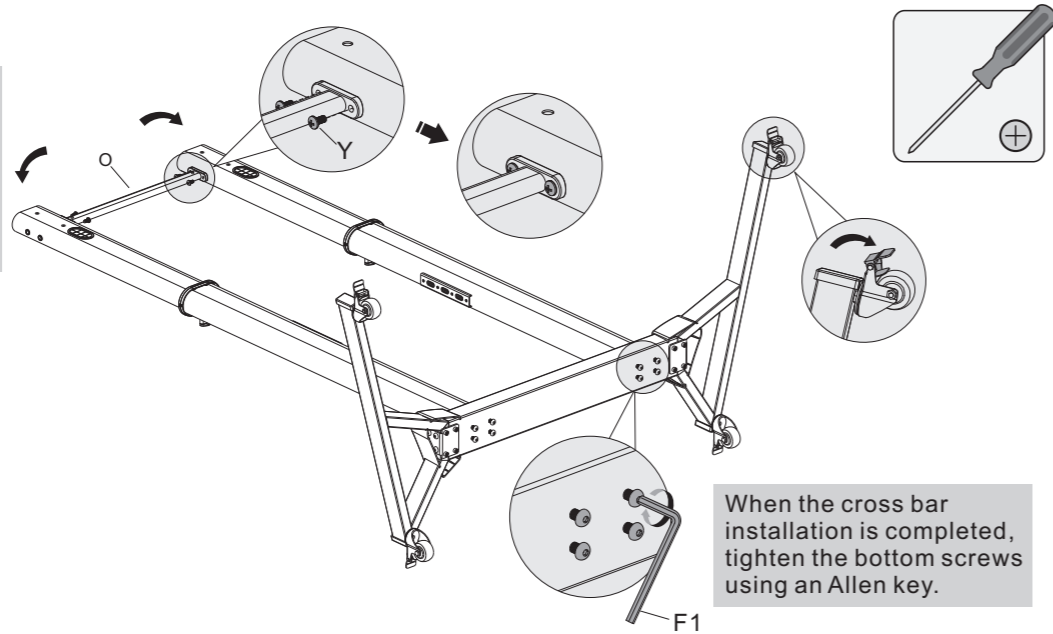
Pull the pin outwards and pull the inner column upwards at the same time, until the inner column is pulled to the desired height then release the pin to secure.



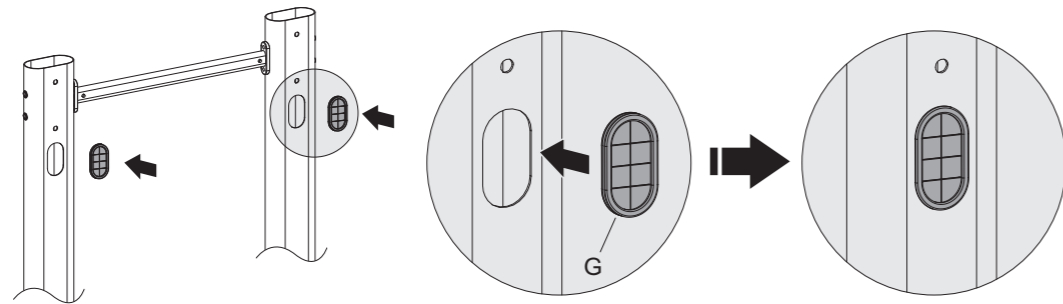
Attach the columns to the base using the screws.

3. Installing the Cross Bar

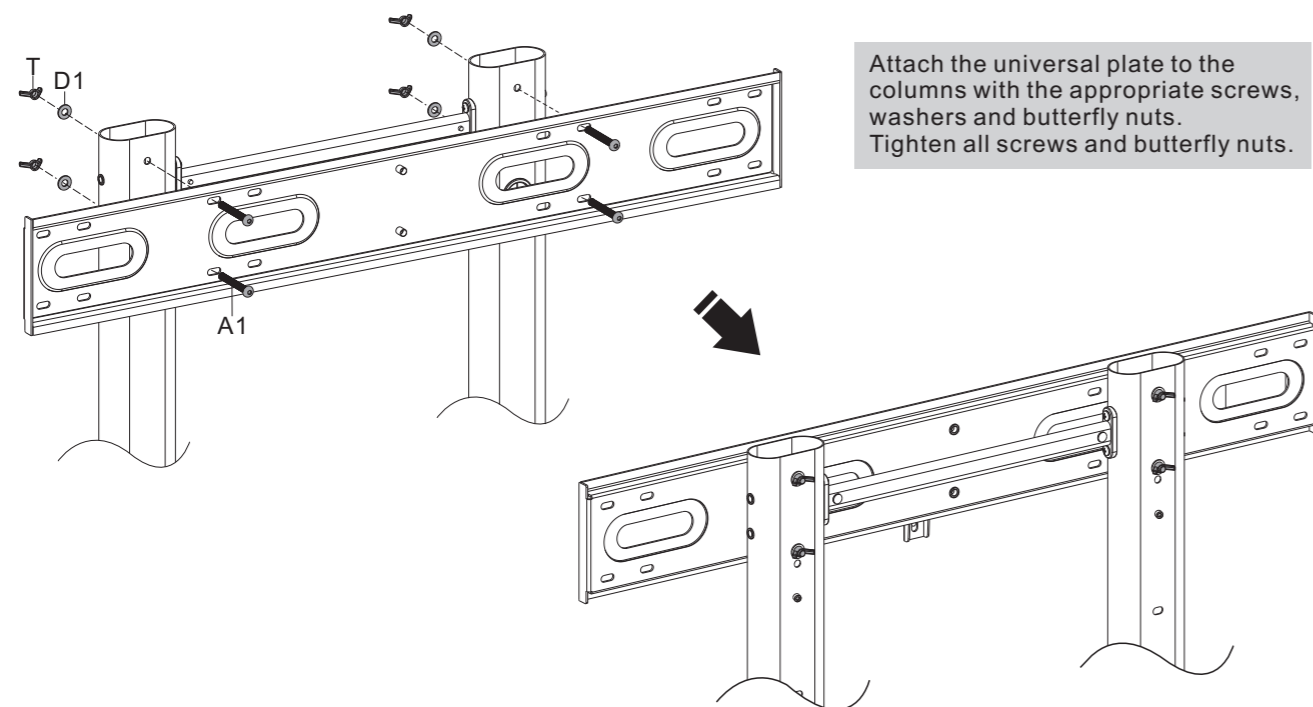
Attach the cross bar to the columns with the appropriate screws. Tighten all screws using a proper Phillips screwdriver.



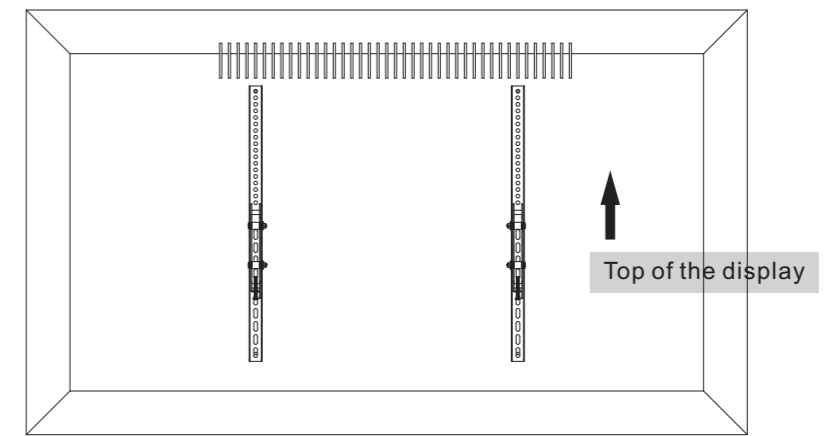
4. Installing the Cable Covers



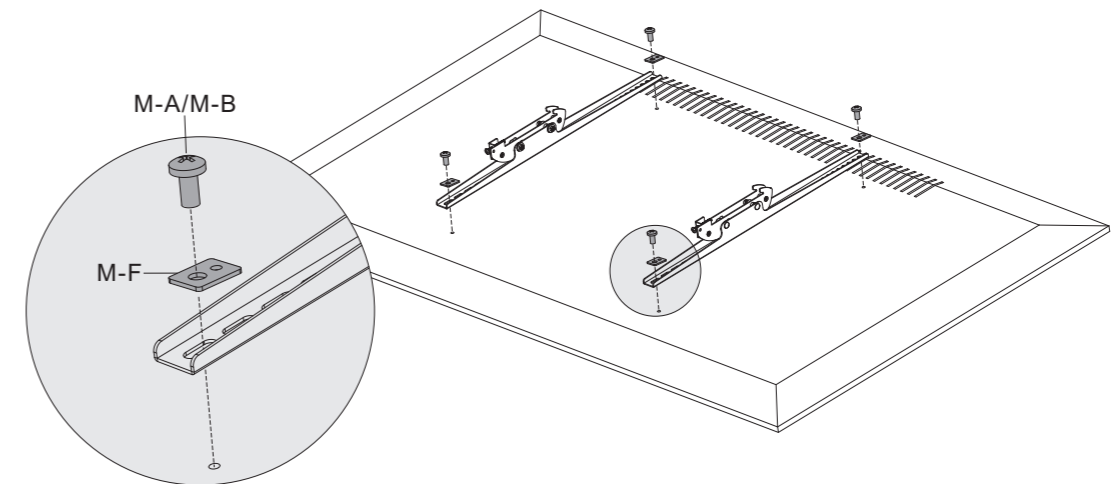
5. Installing the Universal Plate



6. Installing the Adapter Brackets

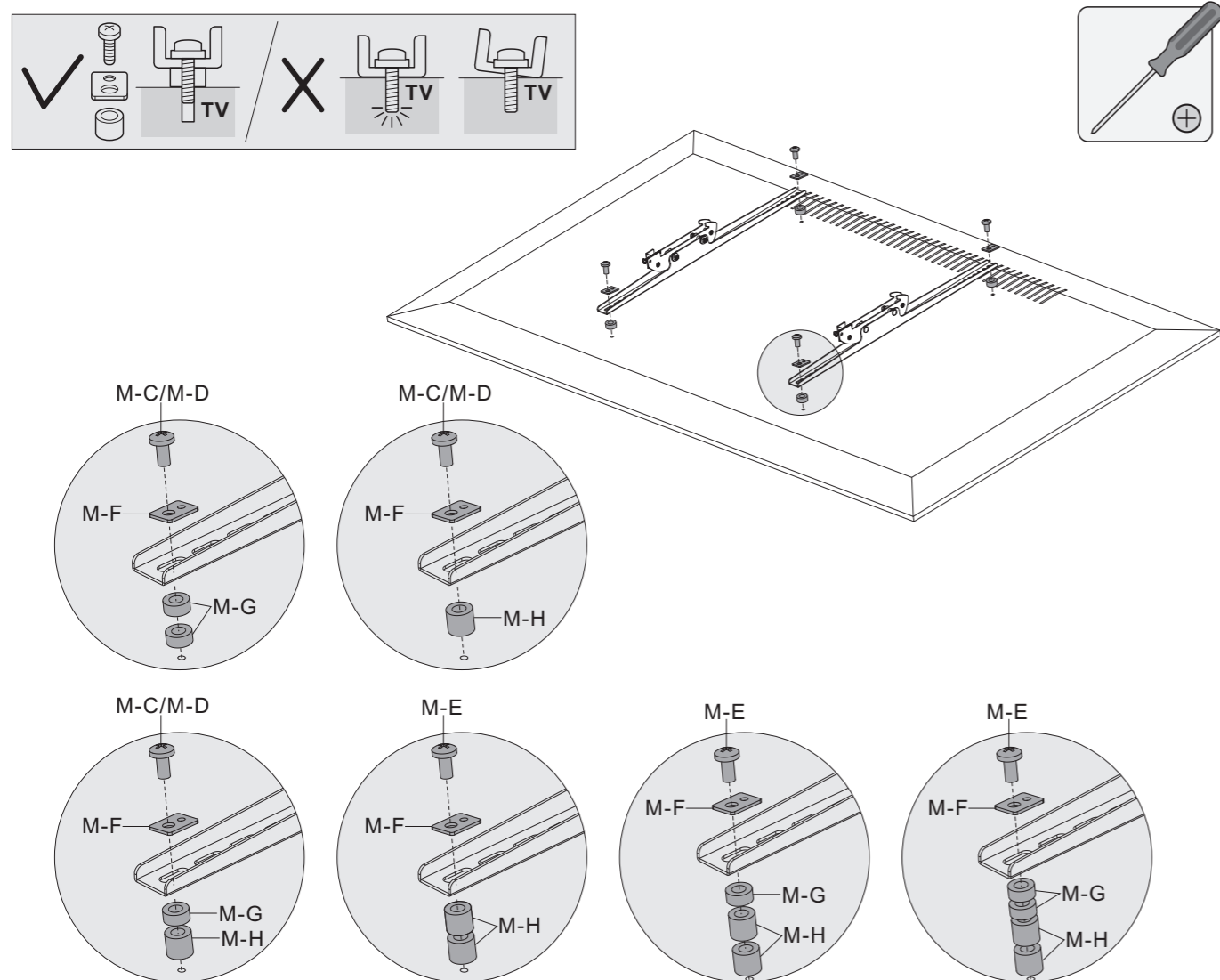


6-1 For Flat Back Screens



		1:1	
M-A			
M-F			

6-2. For Bump-out or Recessed Back Screens



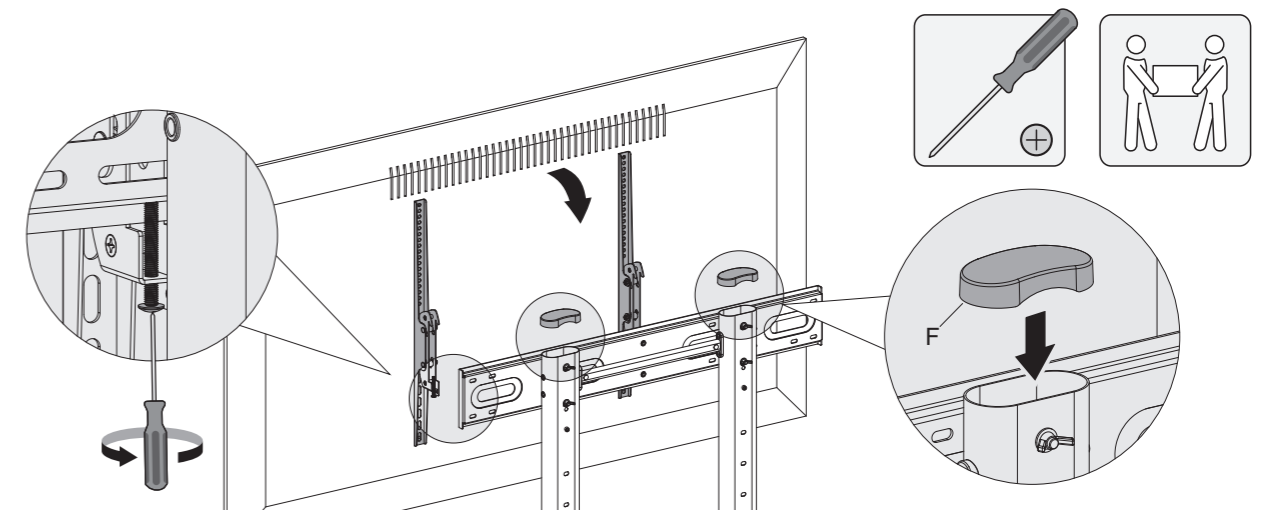
1:1			
M-C		M-D	
M-E		M-F	
M-G		M-H	

Note: Choose the appropriate screws, washers and spacers (if necessary) according to the type of screen.

- Position the adapter brackets as close as possible to the center of the display.
- Screw the adapter brackets onto the display.

⚠ Tighten all screws but do not over tighten.

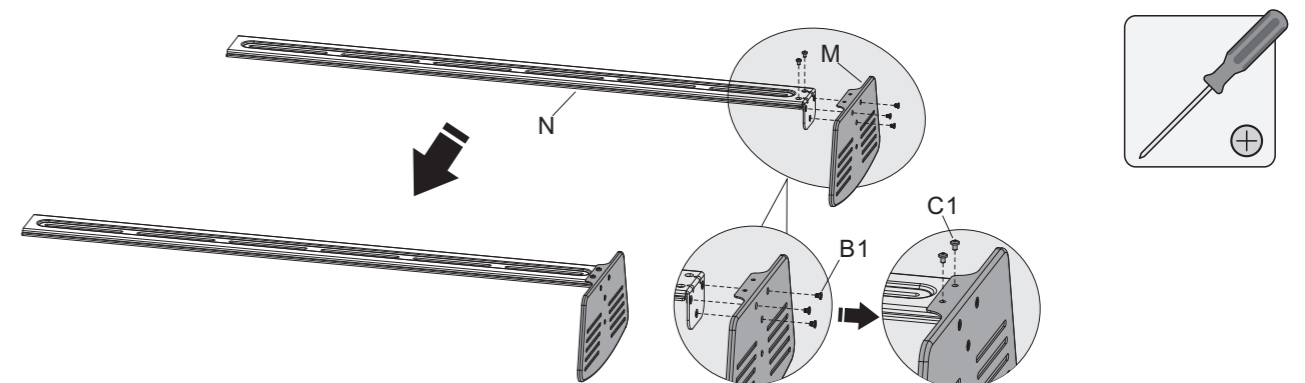
7. Hooking the Display onto the Universal Plate



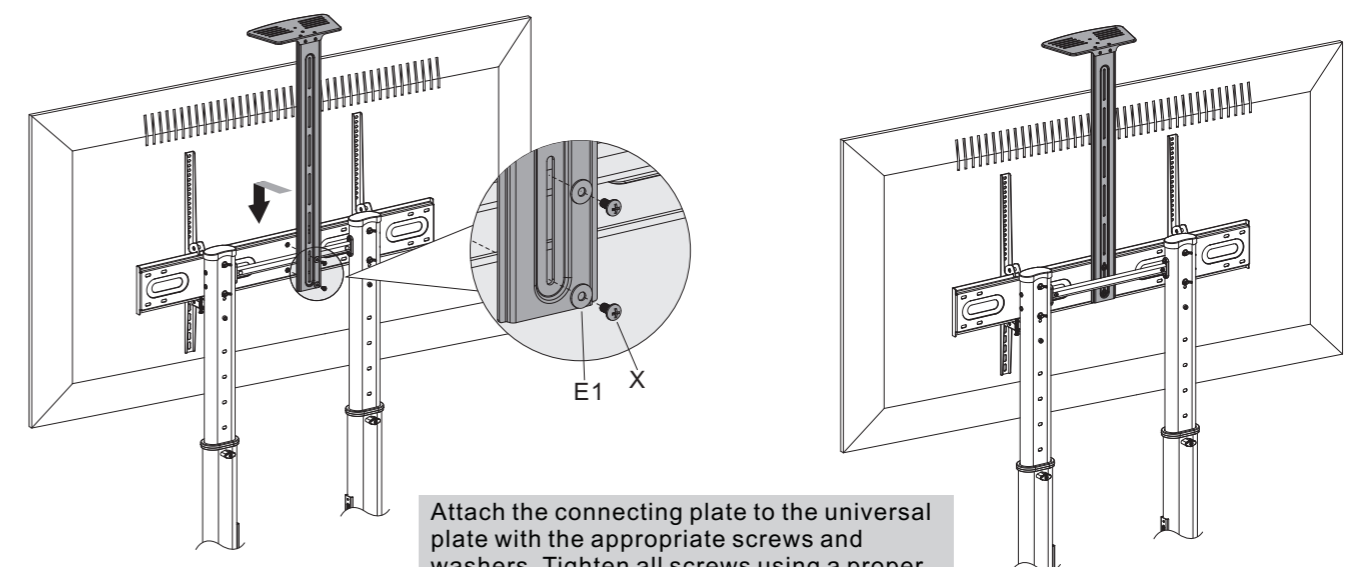
- Hook the display onto the universal plate.
- Tighten the bottom screws to secure them.

IMPORTANT: Make sure the display is mounted correctly and the screws are tightened safely before releasing the display.

8. Installing the Camera Shelf

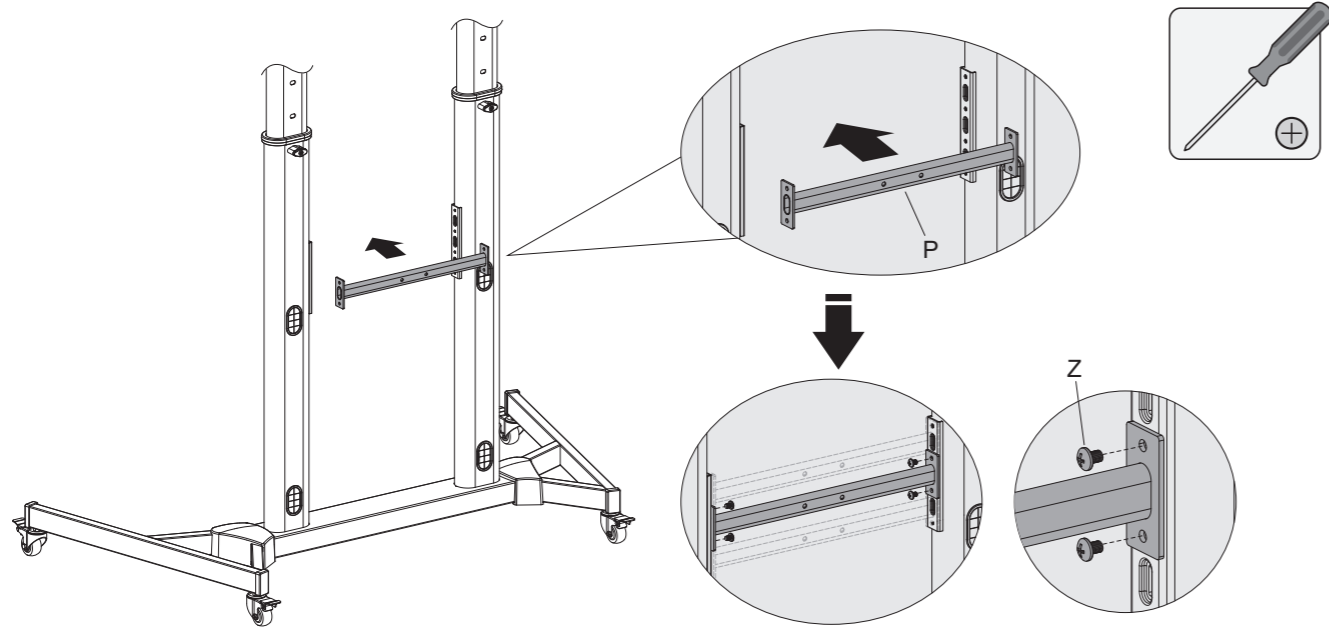


Attach the camera shelf to the connecting plate with the appropriate screws. Tighten all screws using a proper Phillips screwdriver.

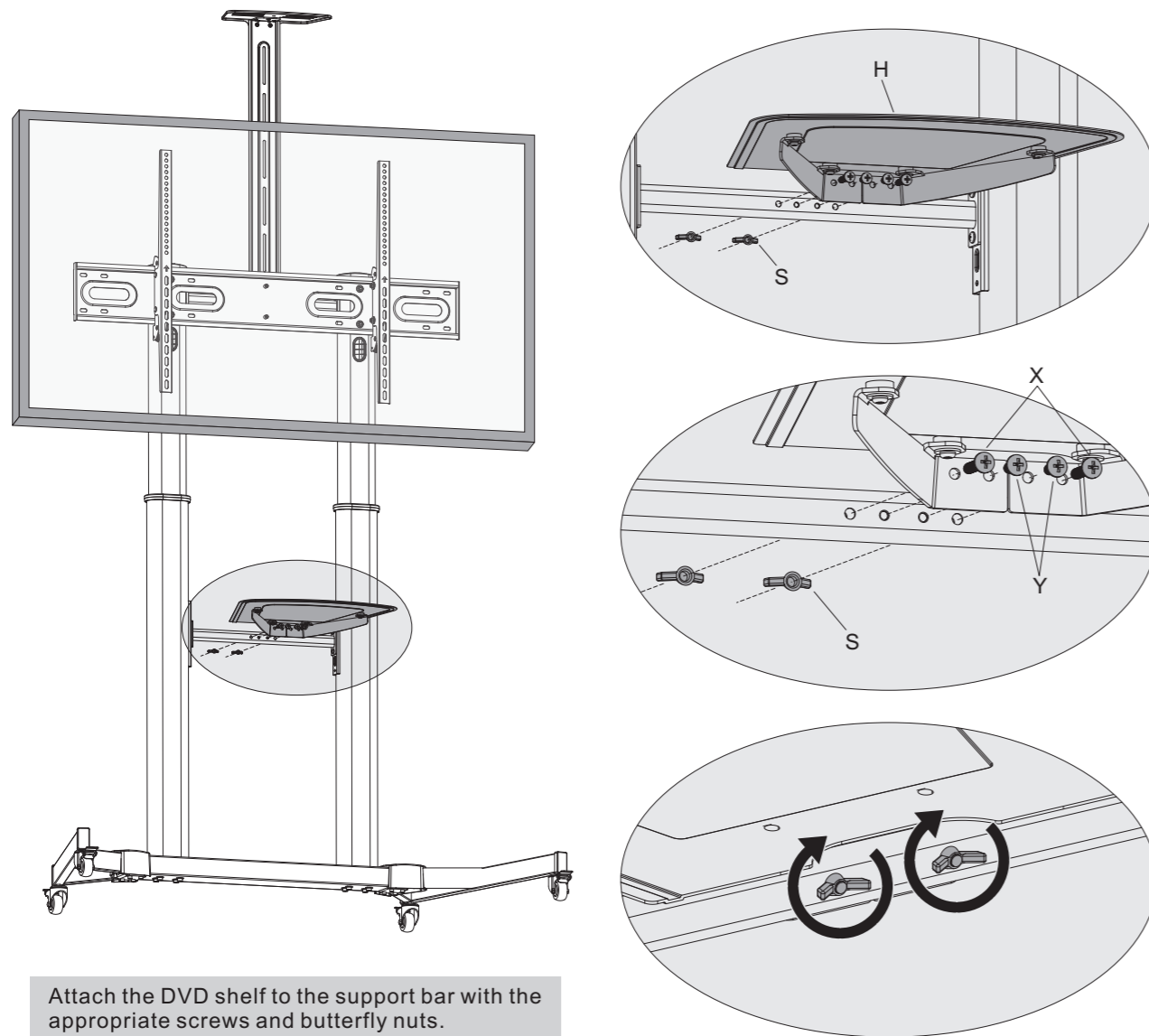


Attach the connecting plate to the universal plate with the appropriate screws and washers. Tighten all screws using a proper Phillips screwdriver.

9. Installing the DVD Shelf

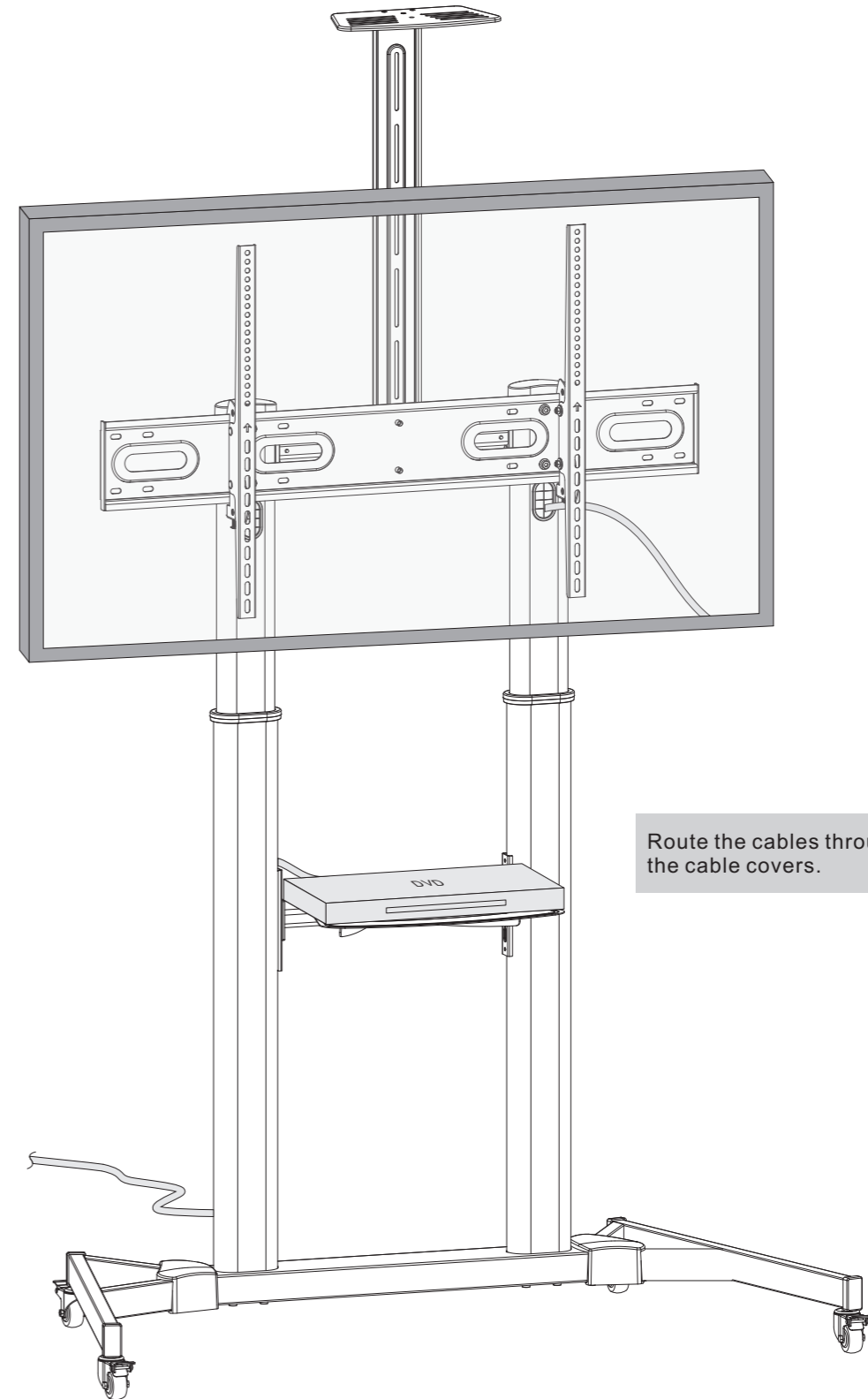


Install the support bar to the columns at the desired position and secure using the appropriate screws.



Attach the DVD shelf to the support bar with the appropriate screws and butterfly nuts. Tighten all screws and butterfly nuts to secure.

10. Cable Management



Route the cables through the cable covers.