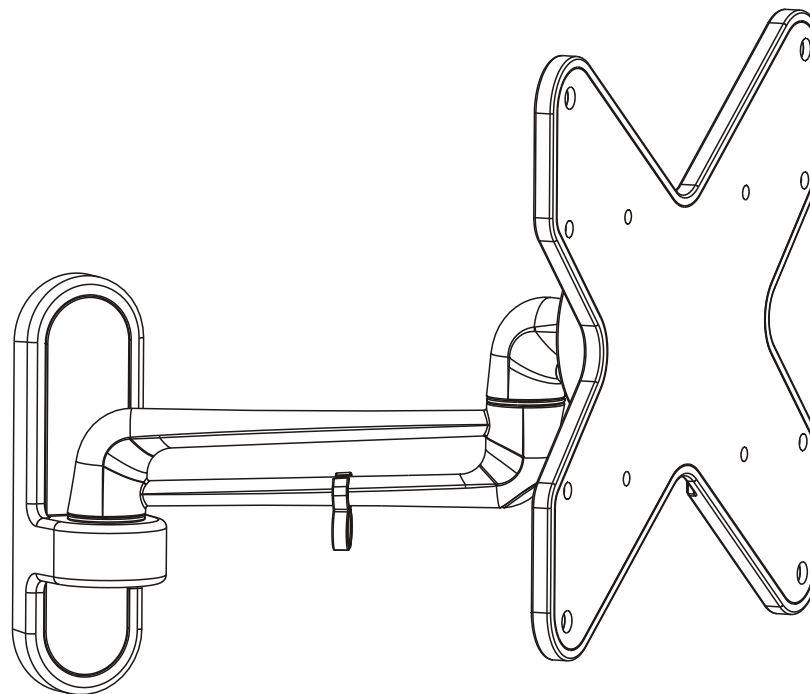


INSTALLATION MANUAL

# Full Motion LED, LCD TV Wall Mount



**CAUTION:** DO NOT EXCEED RATED LISTED WEIGHT. SERIOUS INJURY OR PROPERTY DAMAGE MAY OCCUR!

**P-SWB221S-1**



100x100  
200x100  
200x200



ISSUED: SEP. 2014

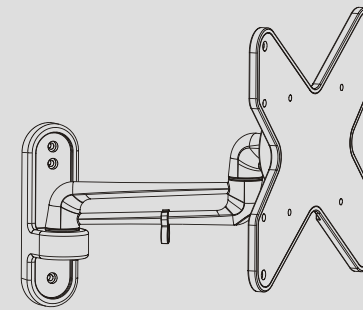
**NOTE:** Read the entire instruction manual before you start installation and assembly.

## ⚠ WARNING

- Do not begin the installation until you have read and understood all the instructions and warnings contained in this installation sheet. If you have any questions regarding any of the instructions or warnings, please contact Proper.
- This mounting bracket was designed to be installed and utilised ONLY as specified in this manual. Improper installation of this product may cause damage or serious injury.
- This product should only be installed by someone with good mechanical ability who has basic building experience and fully understands this manual.
- Make sure that the supporting surface will safely support the combined weight of the equipment and all attached hardware and components.
- If mounting to wood wall studs, make sure that mounting screws are anchored into the center of the studs. The use of a stud finder is highly recommended.
- Always use an assistant or mechanical lifting equipment to safely lift and position the equipment.
- Tighten screws firmly, but do not over tighten. Over tightening can cause damage to the items, This greatly reduces their holding power.
- This product is intended for indoor use only. Using this product outdoors could lead to product failure and personal injury.

## Component Checklist

**IMPORTANT:** Ensure that you have received all parts according to the component checklist prior to installation. If any parts are missing or faulty, telephone Proper for a replacement.



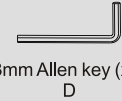
articulated arm assembly (x1)  
A



decorative cover 1 (x1)  
B



decorative cover 2 (x1)  
C



3mm Allen key (x1)  
D

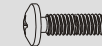


4mm Allen key (x1)  
E

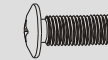
### Package M



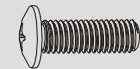
M4x14 (x4)  
M-A



M5x14 (x4)  
M-B



M6x14 (x4)  
M-C



M8x20 (x4)  
M-D



D5 washer (x4)  
M-E



D8 washer (x4)  
M-F



small spacer (x8)  
M-G

### Package W



ST5.5x50 (x3)  
W-A

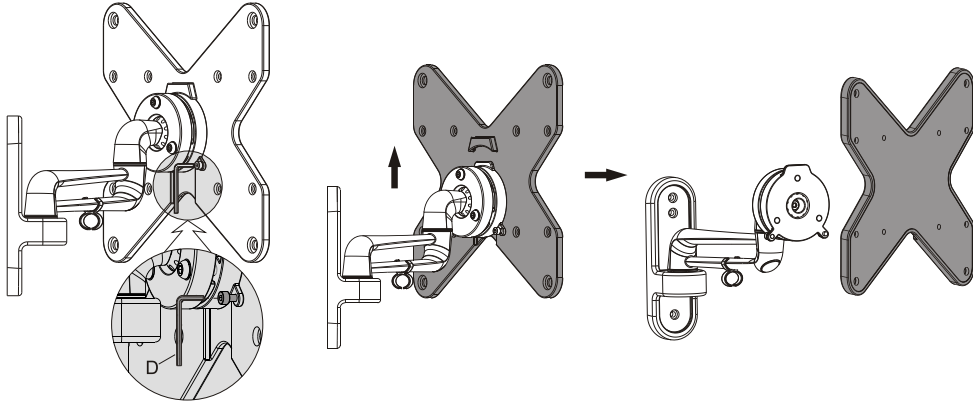


concrete anchor (x3)  
W-B

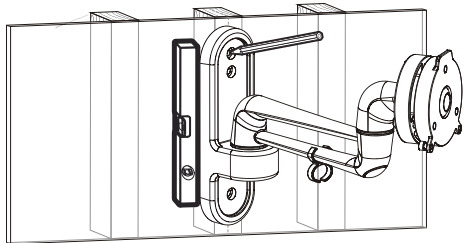
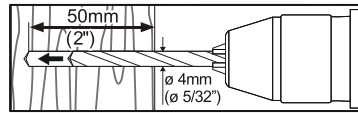
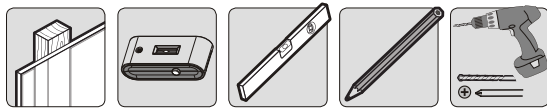


D6 washer (x3)  
W-C

## 1. Separating the VESA Plate from the Wall Mount

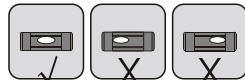
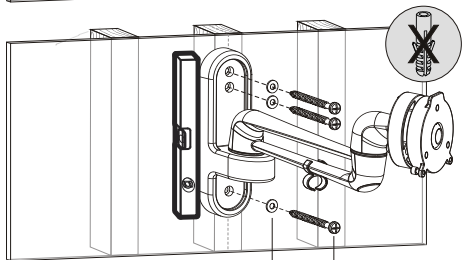


## 2a. For Wood Stud Wall Mounting



Find and mark the exact location of mounting holes

Drill pilot holes

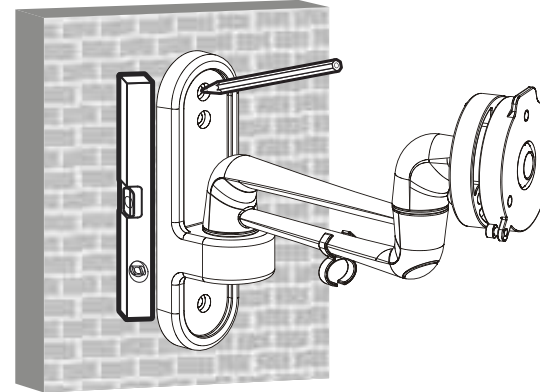
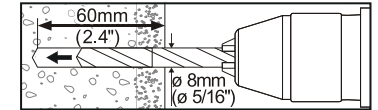
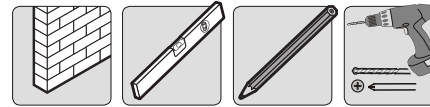


Screw the wall mount onto the wall

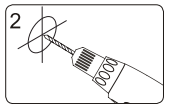
### ⚠ WARNING

- Make sure that mounting screws are anchored into the center of the studs. The use of a stud finder is highly recommended.
- Installers are responsible to provide hardware for other types of mounting situations.
- Installers must verify that the supporting surface will safely support the combined weight of the equipment and all attached hardware and components.

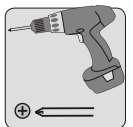
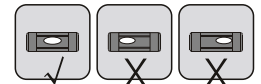
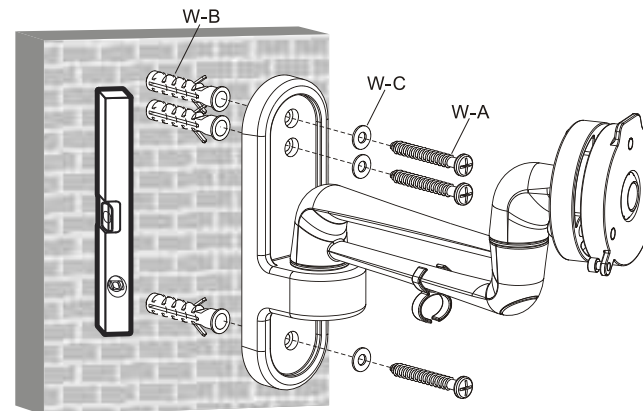
## 2b. For Solid Brick and Concrete Mounting



Mark the exact location of mounting holes



Drill pilot holes

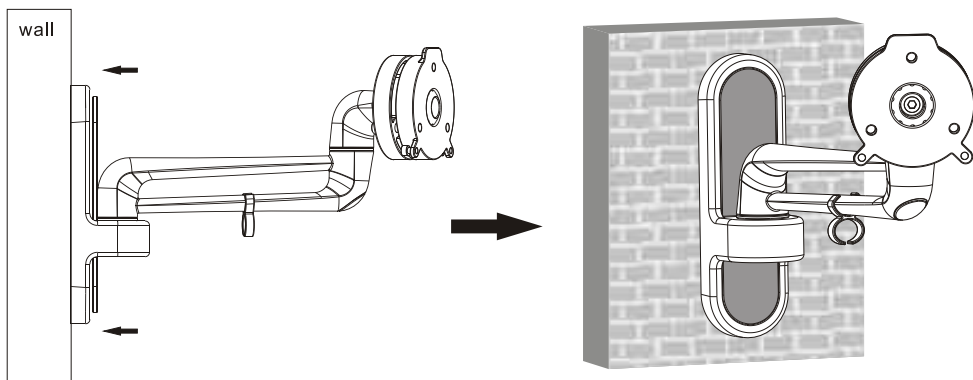


Screw the wall mount onto the wall

### ⚠ WARNING

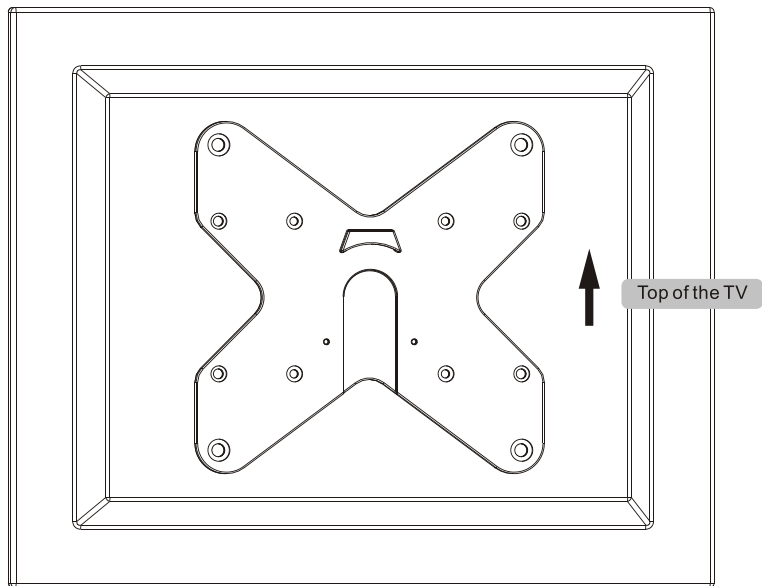
Installers must verify that the supporting surface will safely support the combined weight of the equipment and all attached hardware and components.

### 3. Installing the Decorative Covers

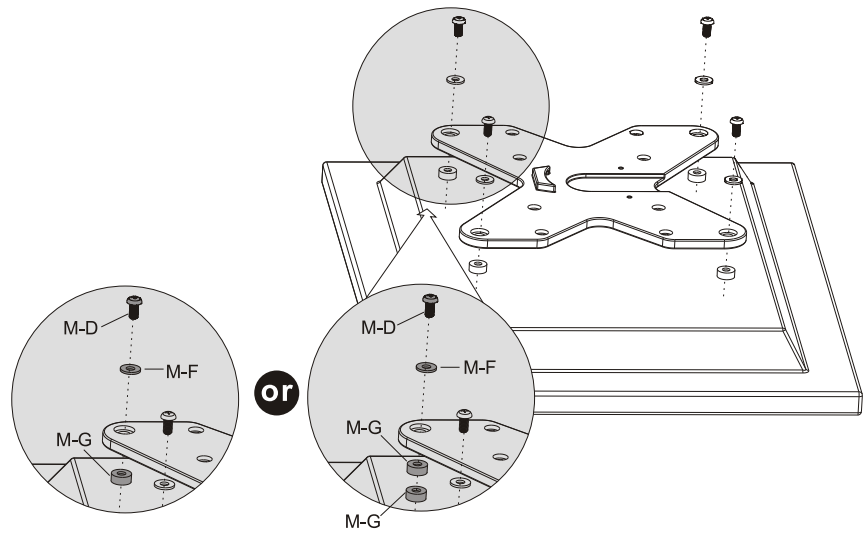
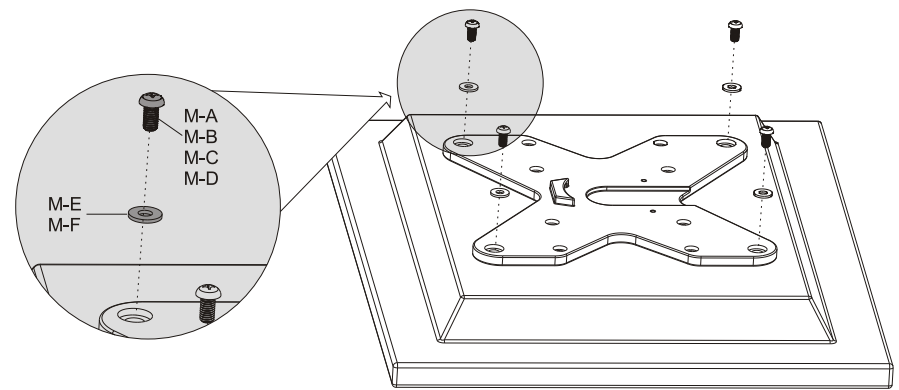
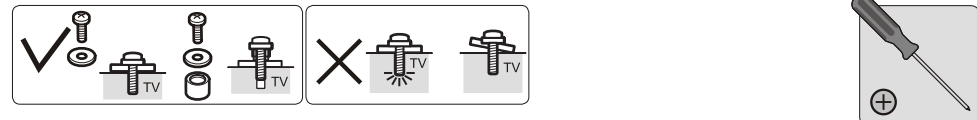


Install the decorative covers along the wall plate rail until they fit snugly onto the wall plate.

### 4. Installing the VESA Plate



### 5. Screws and Washers

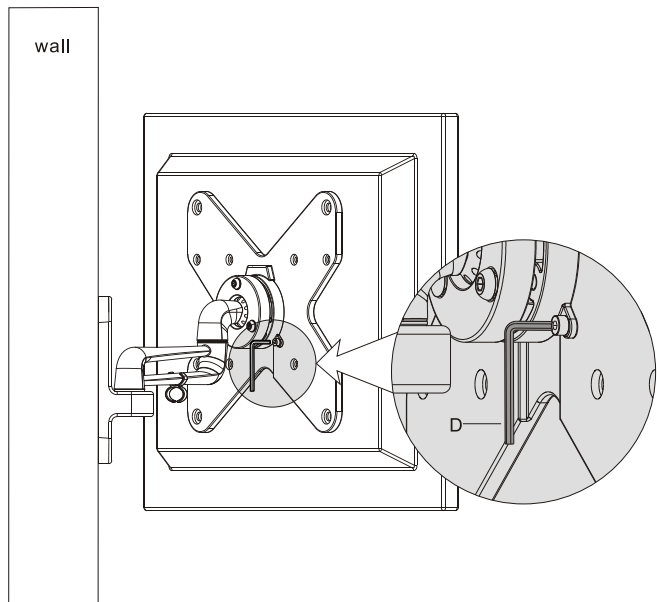
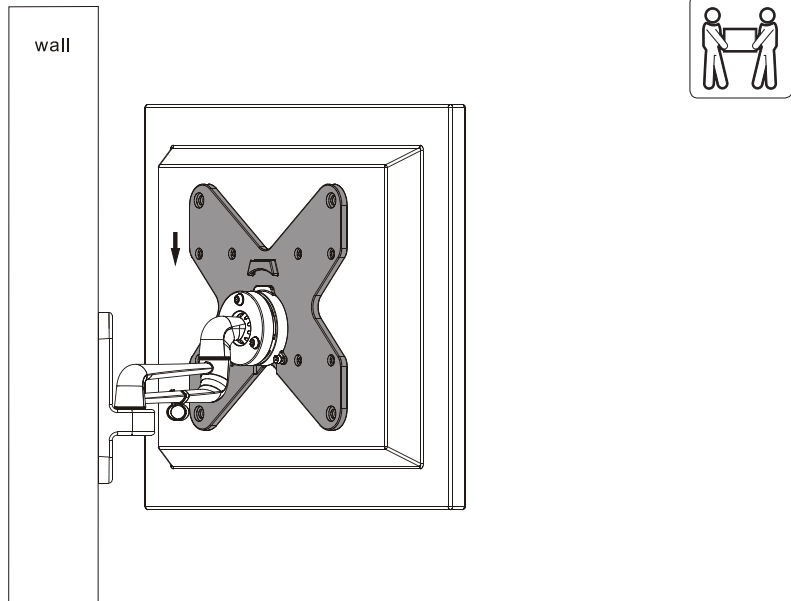


**Note:** Choose the appropriate screws, washers and spacers (if necessary) according to the type of screen.  
 • Screw the VESA plate onto the TV.

**Tighten all screws but do not over tighten.**

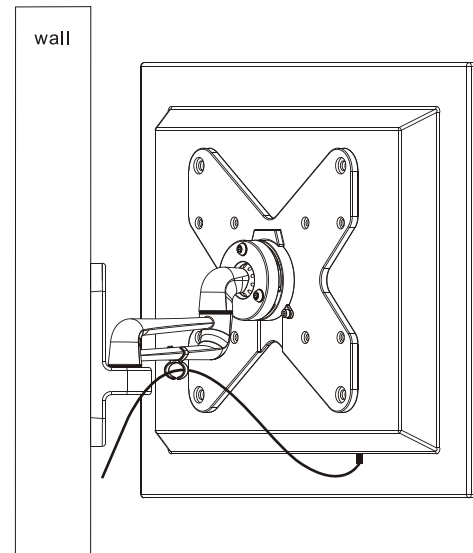


## 5. Hooking the TV onto the Wall Mount



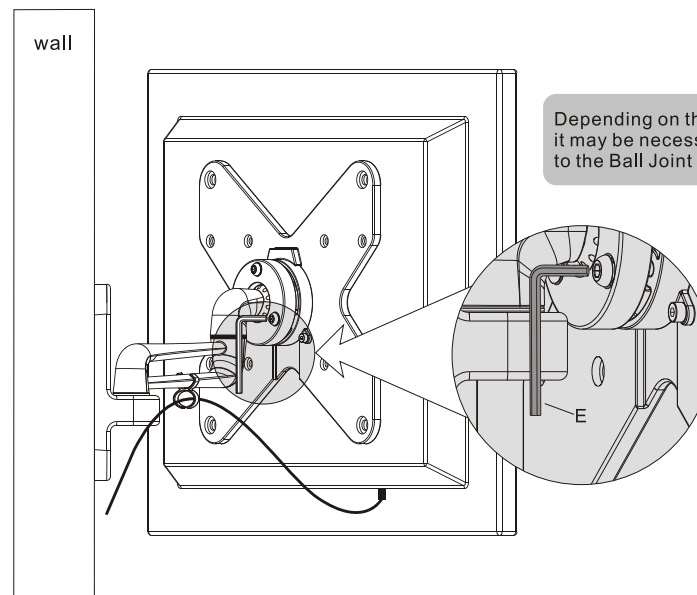
Carefully lift your TV and hook VESA plate onto the mounted head. Tighten screws (that is previously removed) to secure.

## 6. Cable Management

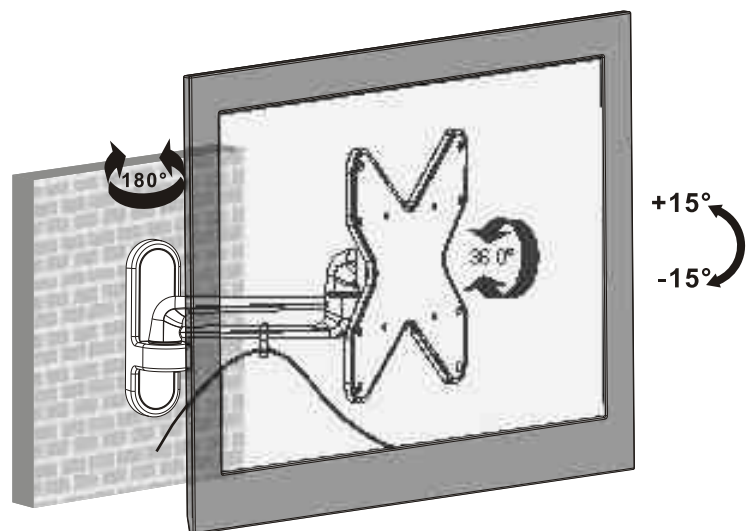


Connect the cables to your TV and run the cables through the wire clip.  
**Note:** Leave slack in the cable for the arm movement.

## 7. Adjustment



Depending on the weight of the display, it may be necessary to make adjustments to the Ball Joint Mechanism.



Adjust to the desired position or tilt.

**Maintenance**

- Check that the bracket is secure and safe to use at regular intervals (at least every three months).
- Please contact Proper if you have any questions.