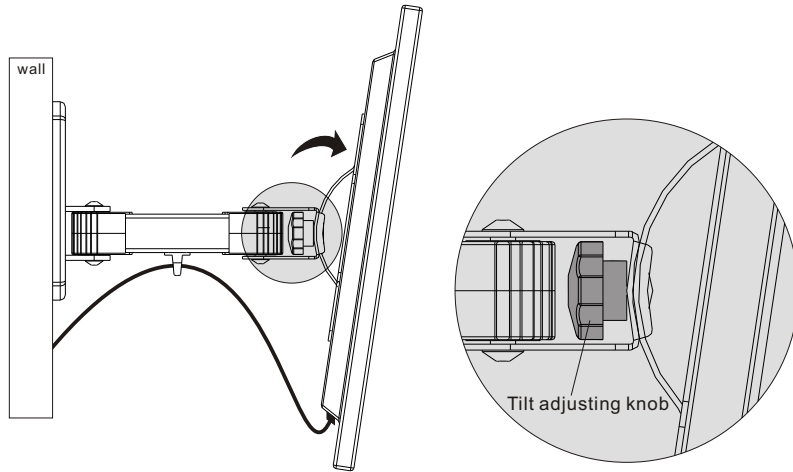
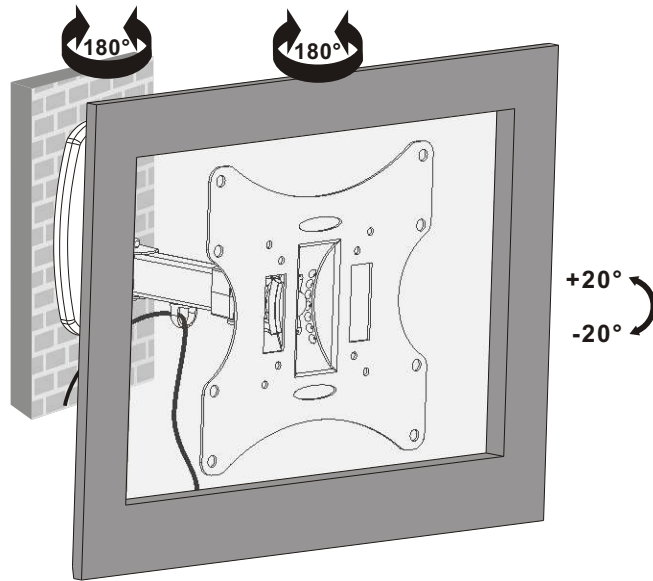


5. Adjustment



Loosen the tilt adjusting knob to tilt desired angle then tighten it.



Adjust to the desired location or tilt.

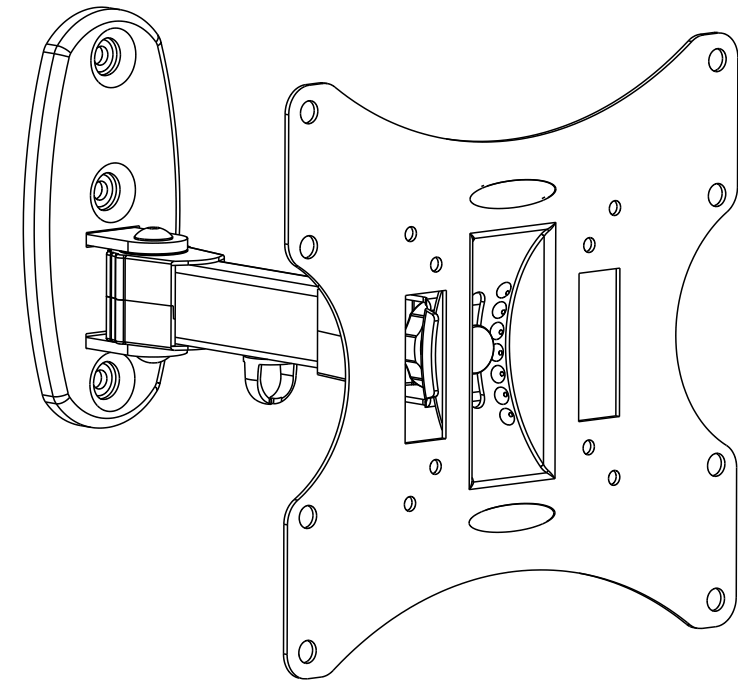
Maintenance

- Check that the bracket is secure and safe to use at regular intervals(at least every three months).
- Please telephone Proper if you have any questions.

Proper

INSTALLATION MANUAL

Full Motion LED, LCD TV Wall Mount



CAUTION: DO NOT EXCEED RATED LISTED WEIGHT CAPACITY. SERIOUS INJURY OR PROPERTY DAMAGE MAY OCCUR!

P-SWBA02B-1



75x75/100x100
200x100/200x200

42"
MAX



30kg
(66lbs)
RATED

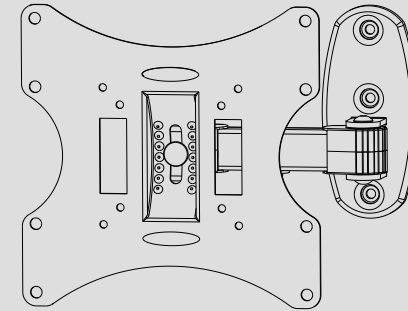
NOTE: Read the entire instruction manual before you start installation and assembly.

WARNING

- Do not begin the installation until you have read and understood the instructions and warnings contained in this installation sheet. If you have any questions regarding any of the instructions or warnings, please telephone Proper for a replacement.
- This mounting bracket was designed to be installed and utilised ONLY as specified in this manual. Improper installation of this product may cause damage or serious injury.
- This product should only be installed by someone with good mechanical ability who has basic building experience and fully understands this manual.
- Make sure that the supporting surface will safely support the combined weight of the equipment and all attached hardware and components.
- If mounting to wood wall studs, make sure that mounting screws are anchored into the center of the studs. The use of a stud finder is highly recommended.
- Always use an assistant or mechanical lifting equipment to safely lift and position the equipment.
- Tighten screws firmly, but do not over tighten. Over tightening can cause damage to the items, This greatly reduces their holding power.
- This product is intended for indoor use only. Using this product outdoors could lead to product failure and personal injury.

Component Checklist

IMPORTANT: Ensure that you have received all parts according to the component checklist prior to installation. If any parts are missing or faulty, telephone Proper for a replacement.



wall mount (x1)
A



wire saddle (x1)
B

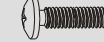


Allen key (x2)
C

Package M



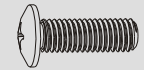
M4x14 (x4)
M-A



M5x14 (x4)
M-B



M6x14 (x4)
M-C



M8x20 (x4)
M-D



D5 washer (x4)
M-E

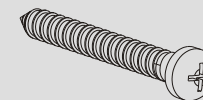


D8 washer (x4)
M-F

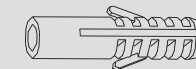


small spacer (x8)
M-G

Package W



ST5.5x50 (x3)
W-A

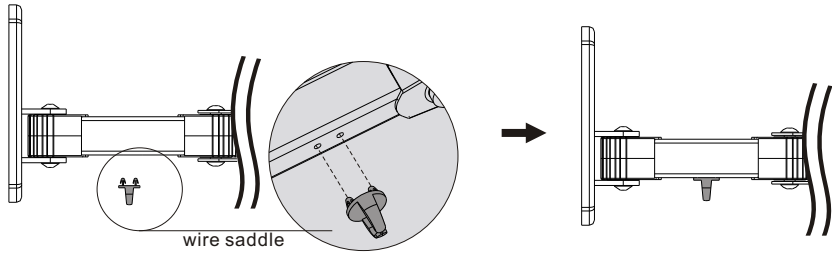


concrete anchor (x3)
W-B

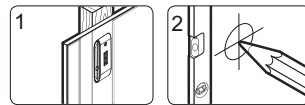
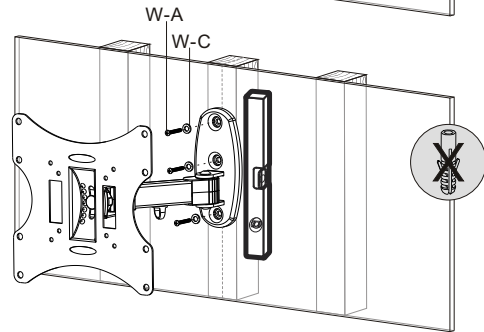
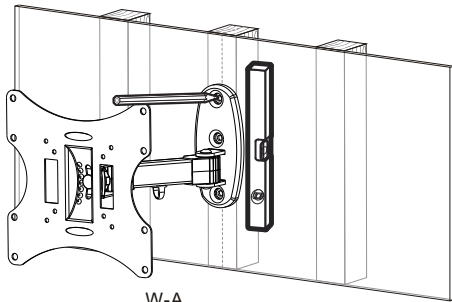
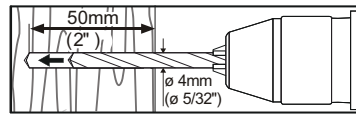
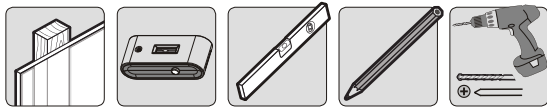


D6 washer (x3)
W-C

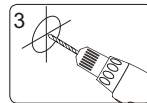
1. Installing the Wire Saddle



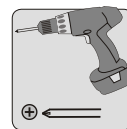
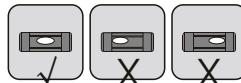
2a. Wood Stud Wall Mounting



Find and mark the exact location of mounting holes



Drill pilot holes

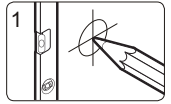
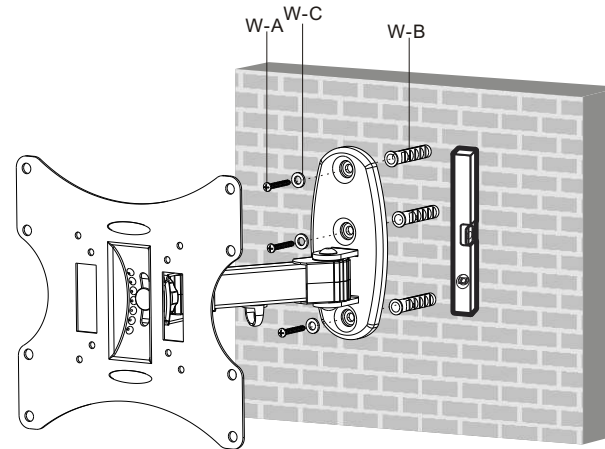
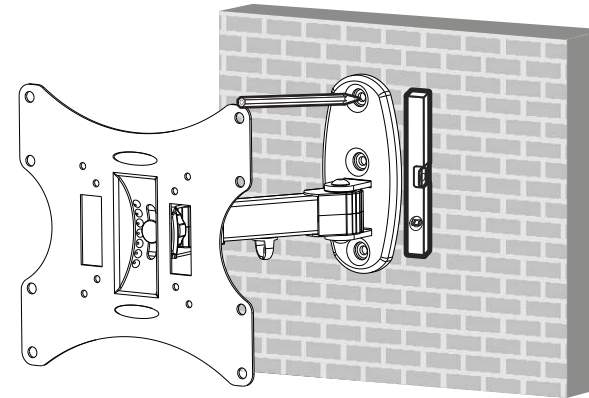
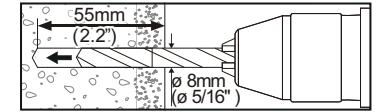
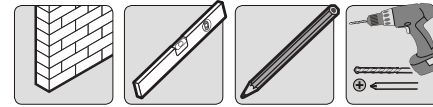


Screw the wall mount onto the wall

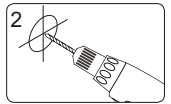
⚠ WARNING

- Make sure that mounting screws are anchored into the center of the studs. The use of a stud finder is highly recommended.
- Installers are responsible to provide hardware for other types of mounting situations.
- Installers must verify that the supporting surface will safely support the combined weight of the equipment and all attached hardware and components.

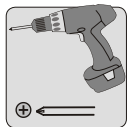
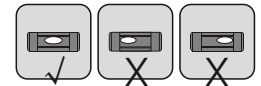
2b. Solid Brick and Concrete Mounting



Mark the exact location of mounting holes



Drill pilot holes

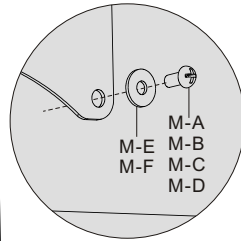
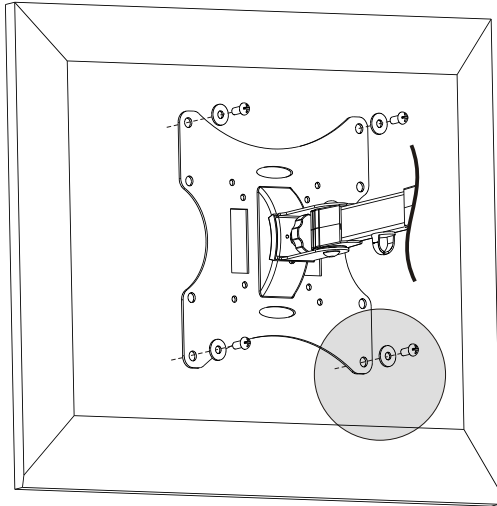
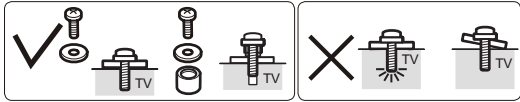


Screw the wall mount onto the wall

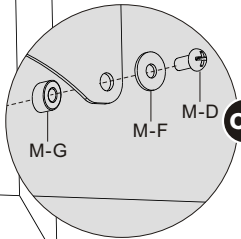
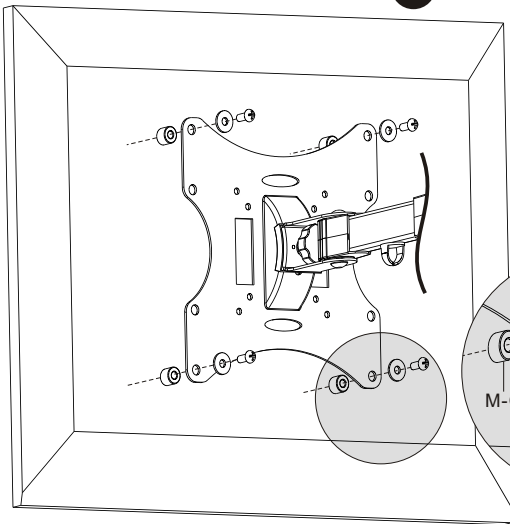
⚠ WARNING

Installers must verify that the supporting surface will safely support the combined weight of the equipment and all attached hardware and components.

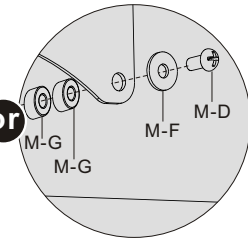
3. Attach the TV to the VESA Plate



or



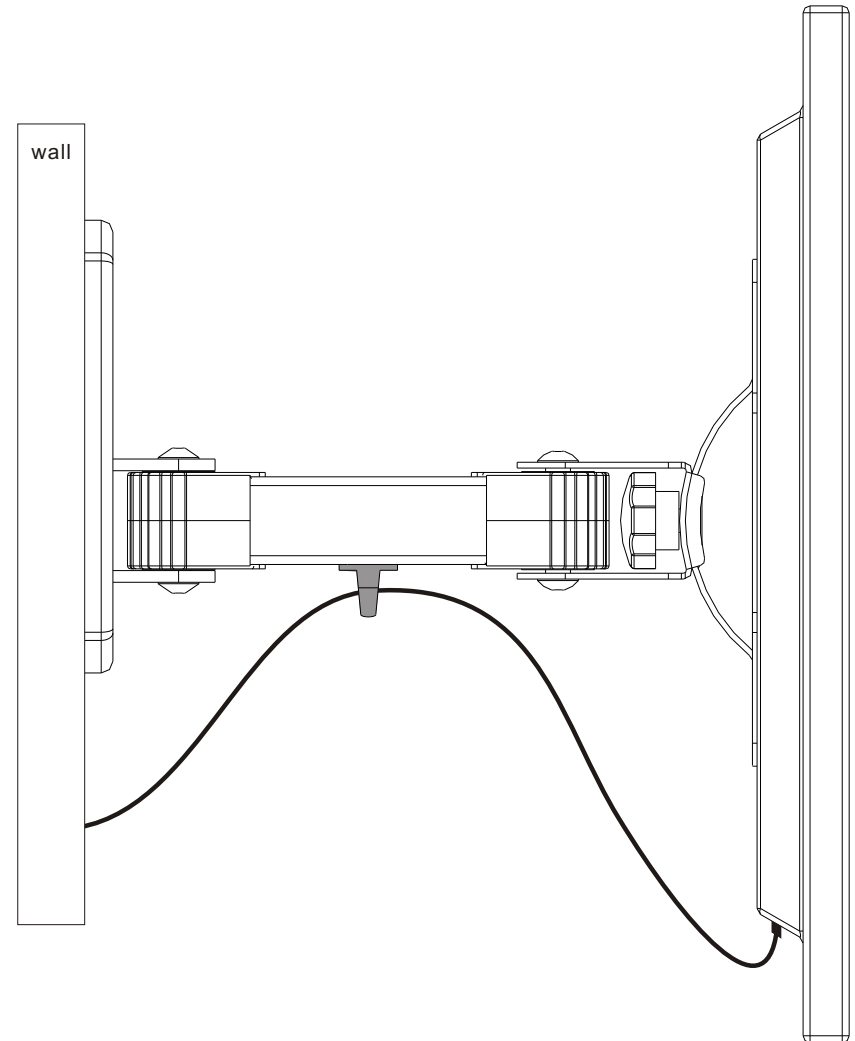
or



Lift the TV and match the holes on your TV with the holes on the mount. Secure your TV to the mount by tightening screws.

⚠️ Tighten all screws but do not over tighten.

4. Cable Management



Connect cables to your TV and route through the wire saddle.

Note: Leave slack in cable for cantilever arm movement.