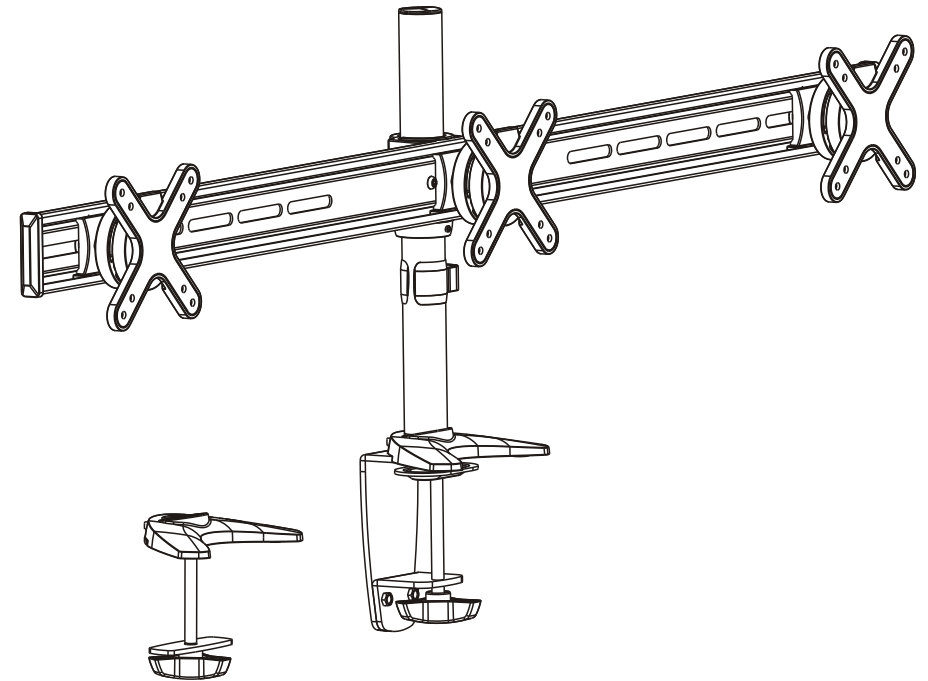


INSTALLATION MANUAL

# Triple Arm Cantilever Desk Monitor Mount



**CAUTION:** DO NOT EXCEED RATED LISTED WEIGHT. SERIOUS INJURY OR PROPERTY DAMAGE MAY OCCUR!

**P-DMBC03S-1**



75x75  
100x100



ISSUED: SEP. 2015

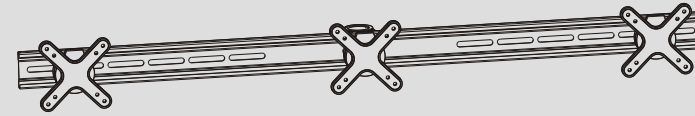
**NOTE:** Read the entire instruction manual before you start installation and assembly.

## WARNING

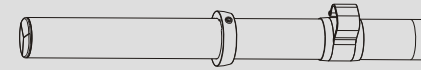
- Do not begin the installation until you have read and understood all the instructions and warnings contained in this installation sheet. If you have any questions regarding any of the instructions or warnings, please telephone Proper for assistance.
- This mounting bracket was designed to be installed and utilised **ONLY** as specified in this manual. Improper installation of this product may cause damage or serious injury.
- Make sure that the supporting surface will safely support the combined weight of the equipment and all attached hardware and components.
- Always use an assistant or mechanical lifting equipment to safely lift and position the equipment.
- Tighten screws firmly, but do not over tighten. Over tightening can cause damage to the items. This greatly reduces their holding power.
- This product is intended for indoor use only. Using this product outdoors could lead to product failure and personal injury.

## Component Checklist

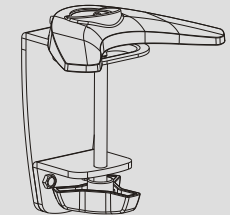
**IMPORTANT:** Ensure that you have received all parts according to the component checklist prior to installation. If any parts are missing or faulty, telephone Proper for a replacement.



adapter bracket  
assembly (x1)  
A



pole (x1)  
B



desk clamp  
assembly (x1)  
C



decorative covers (x2)  
D

### Package Mx3



M4x14 (x4)  
M-A



M5x14 (x4)  
M-B

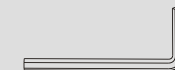


D5 washer (x4)  
M-C

### Package P



3mm Allen key (x1)  
P-A



4mm Allen key (x1)  
P-B



base plate (x1)  
P-C

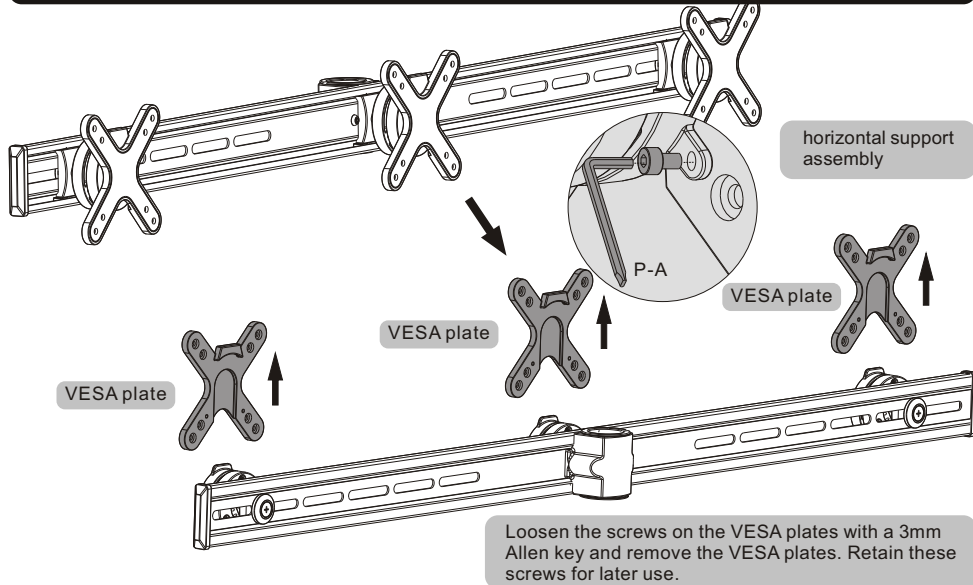


pad (x1)  
P-D

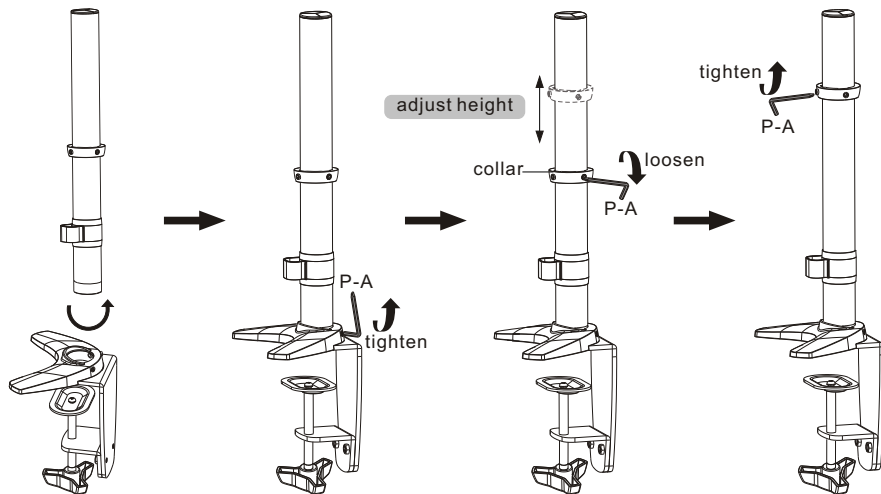
## 1. Installing the Decorative Covers



## 2. Removing the VESA Plates

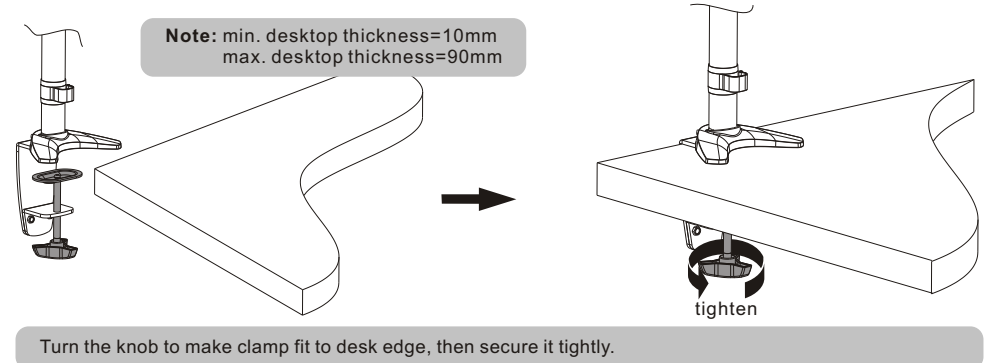


## 3. Assembling the Pole and Desk Clamp

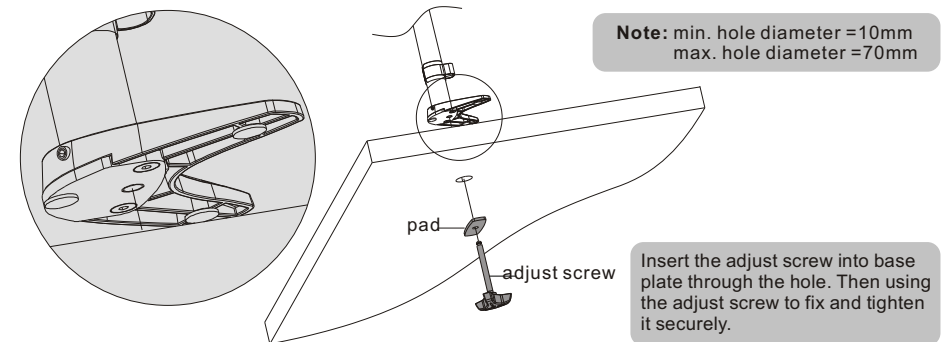
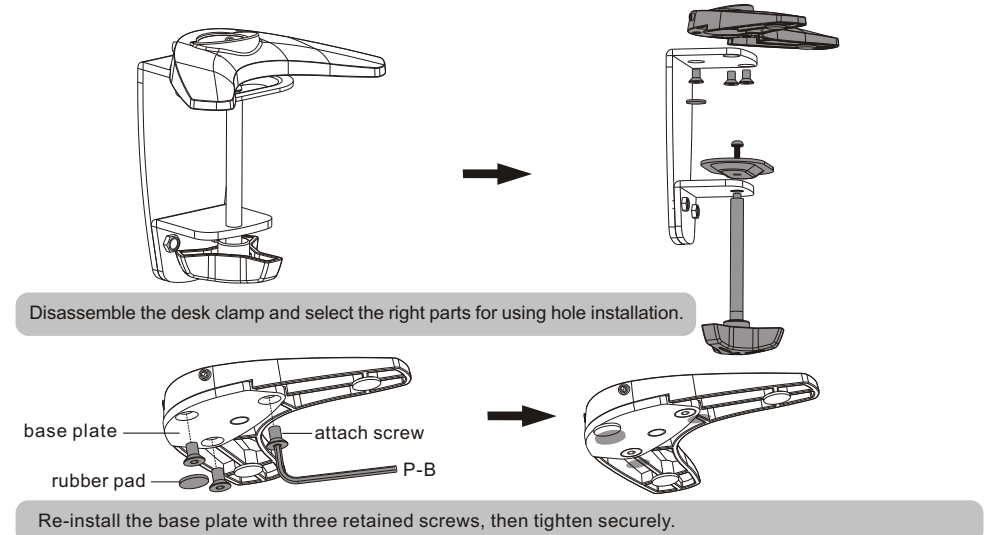


## 4. Attaching to the Desk

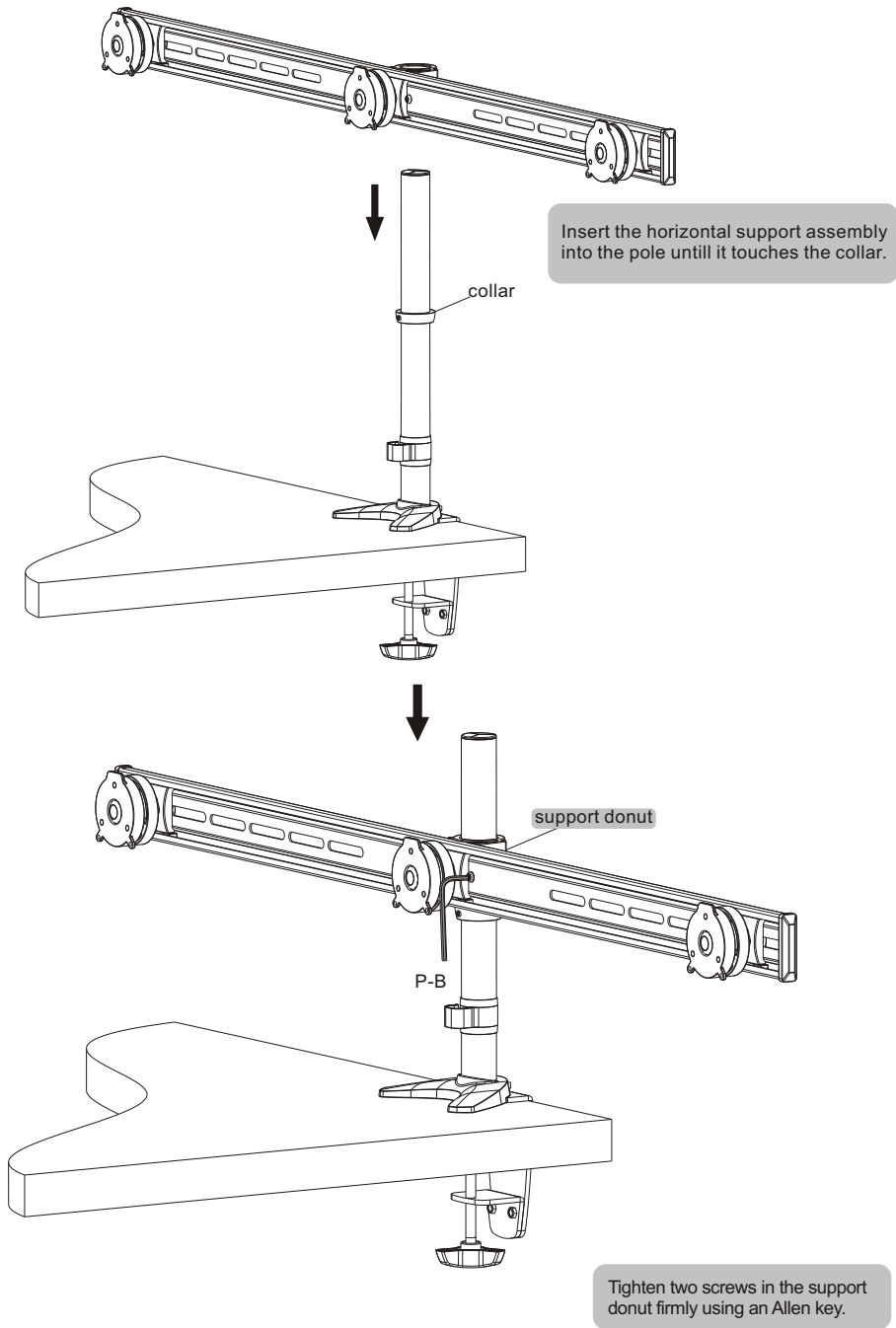
### 4a. Edge Installation



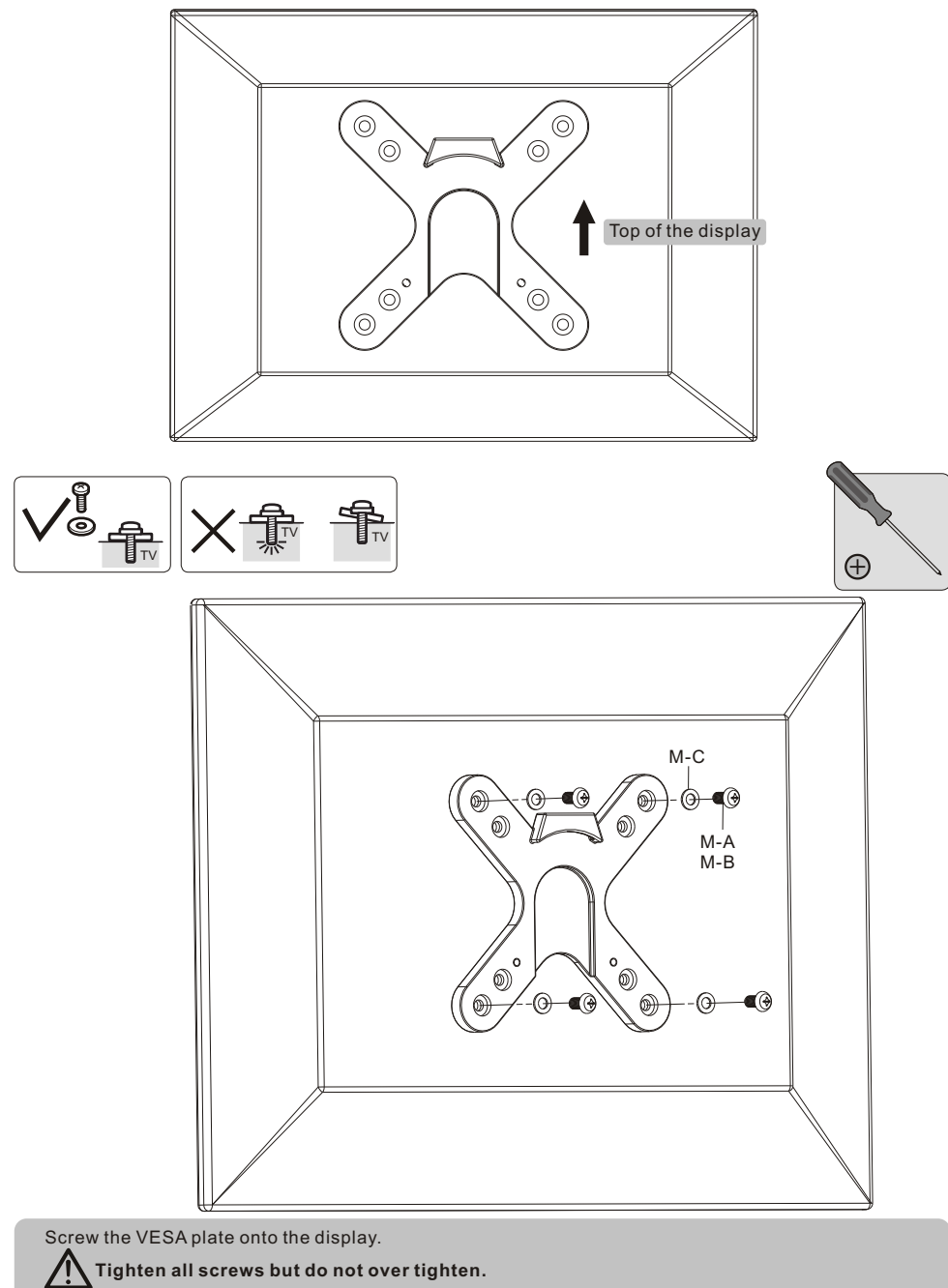
### 4b. Hole Installation



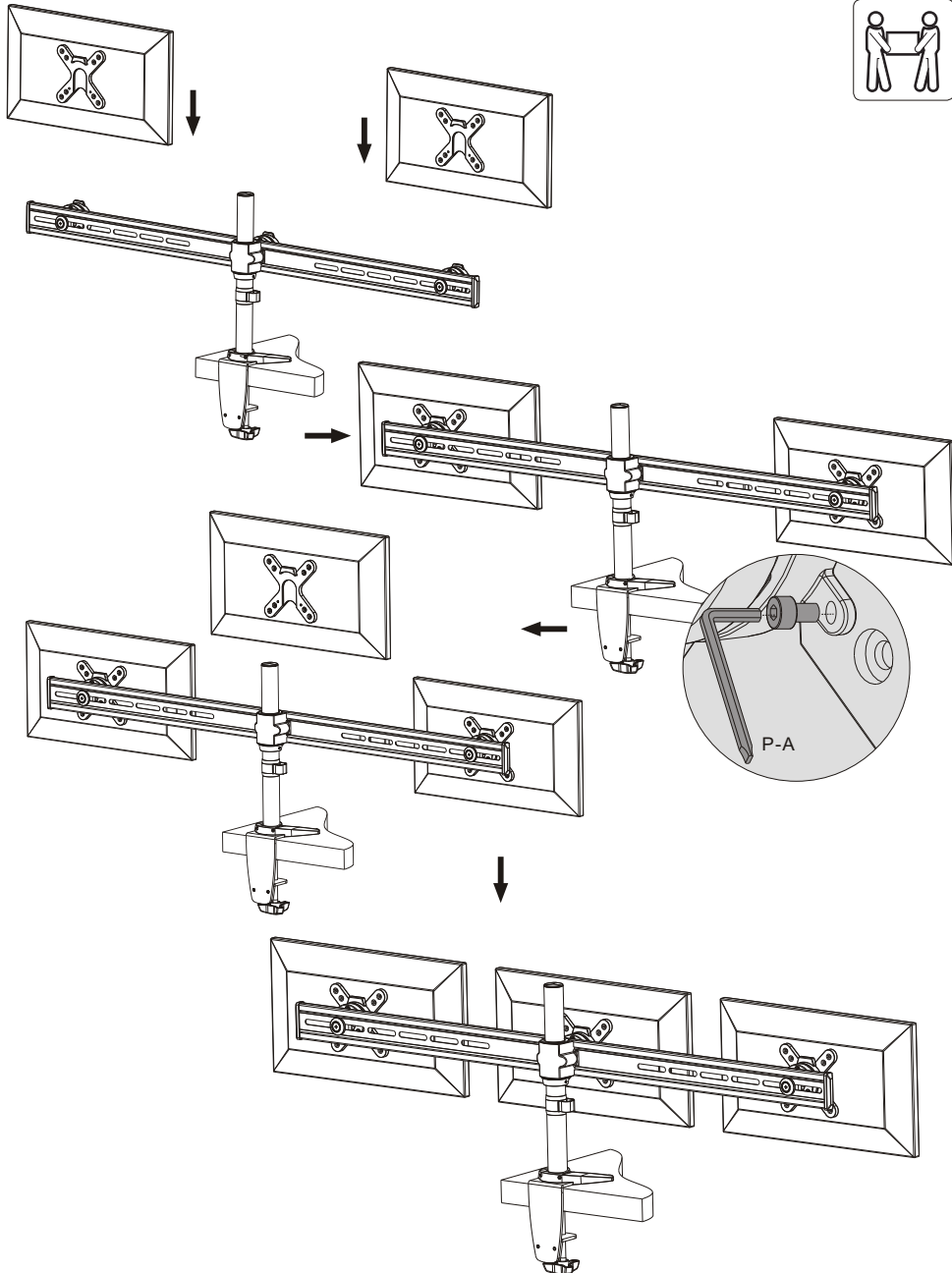
## 5. Installing the Horizontal Support Assembly



## 6. Installing the VESA Plate

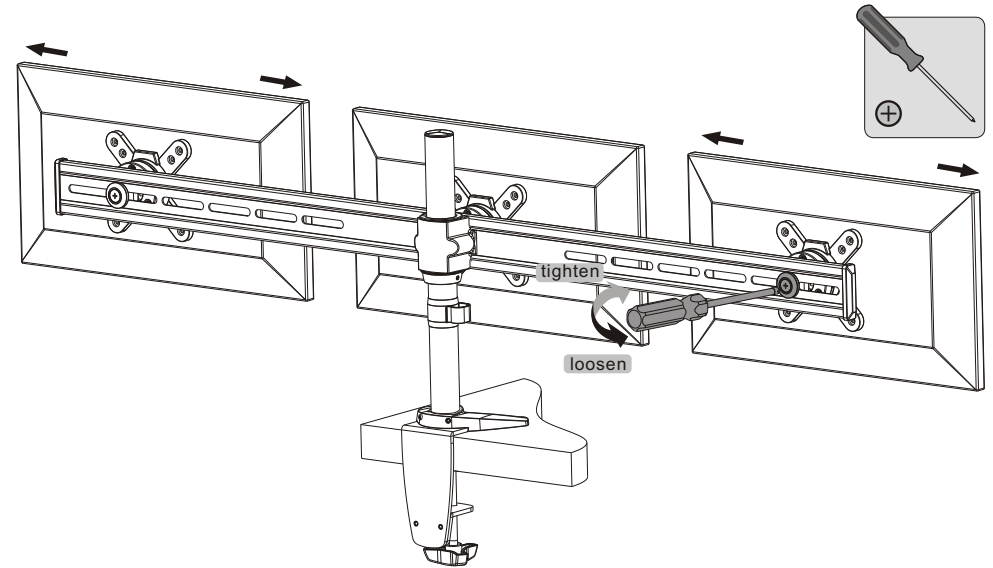


## 7. Installing the Displays



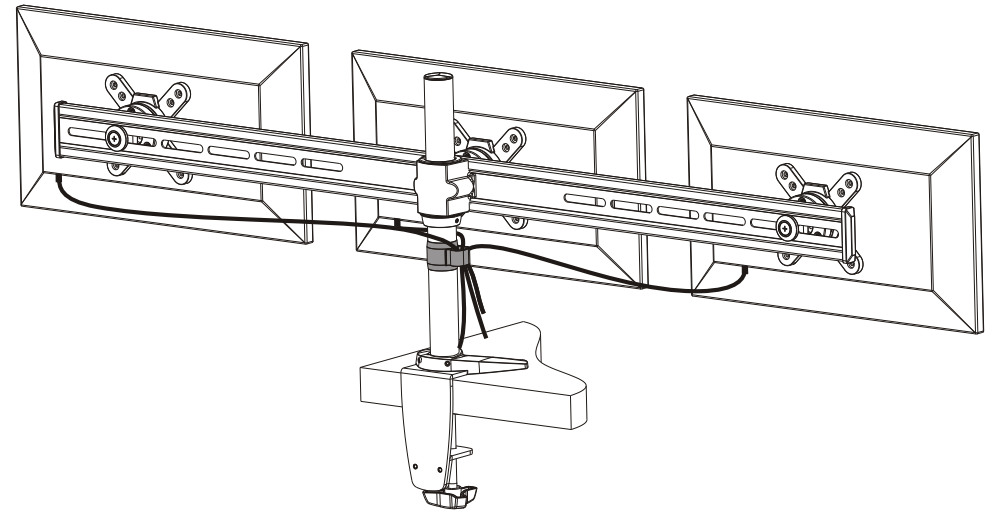
Insert the VESA plate onto the mount and use the previously removed screws to secure them. Make sure the display is safely secured before finally releasing.

## 8. Display Horizontal Adjustment



Loosen the screws with a proper screwdriver. Slide the bracket assembly to desired position and then tighten screws to lock the bracket assembly in place.

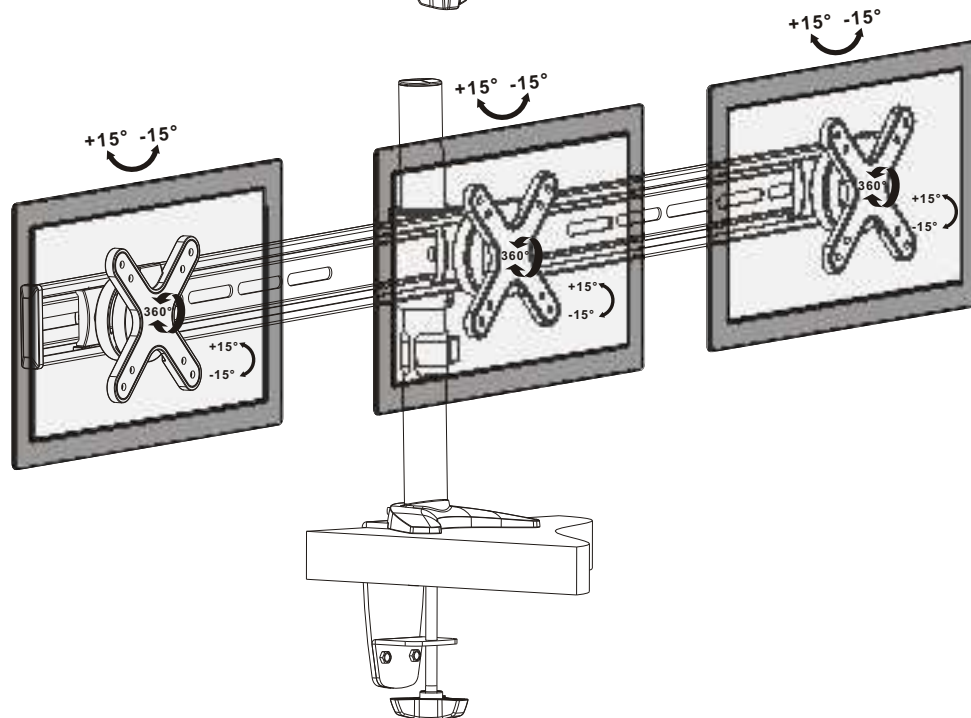
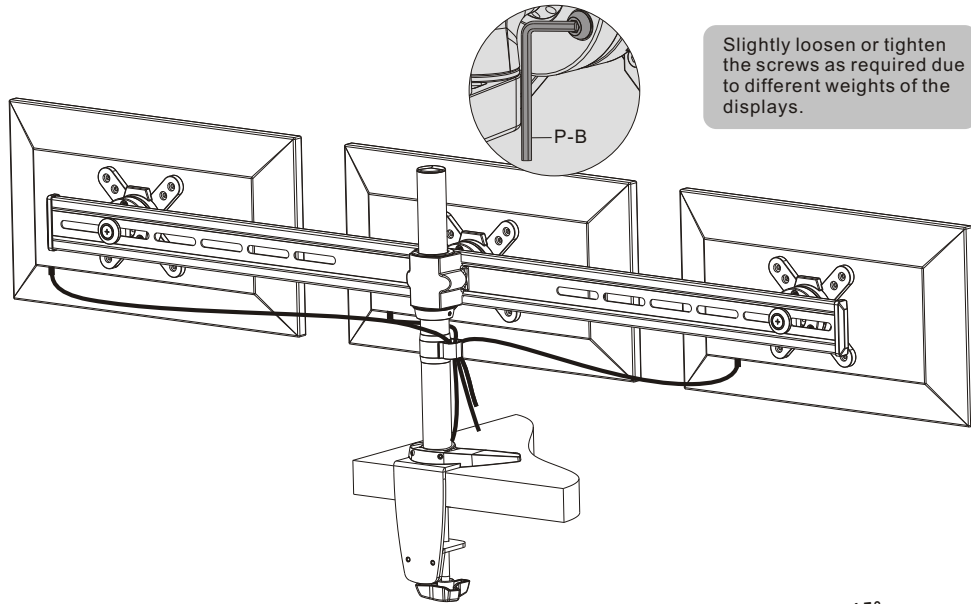
## 9. Cable Management



Use clip for routing the cables.

**NOTE:** Leave slack in the cable for arm movement.

## 10. Adjustment



Adjust to desired position or tilt.

## Maintenance

- Check that the bracket is secure and safe to use at regular intervals (at least every three months).
- Please telephone Proper if you have any questions.