



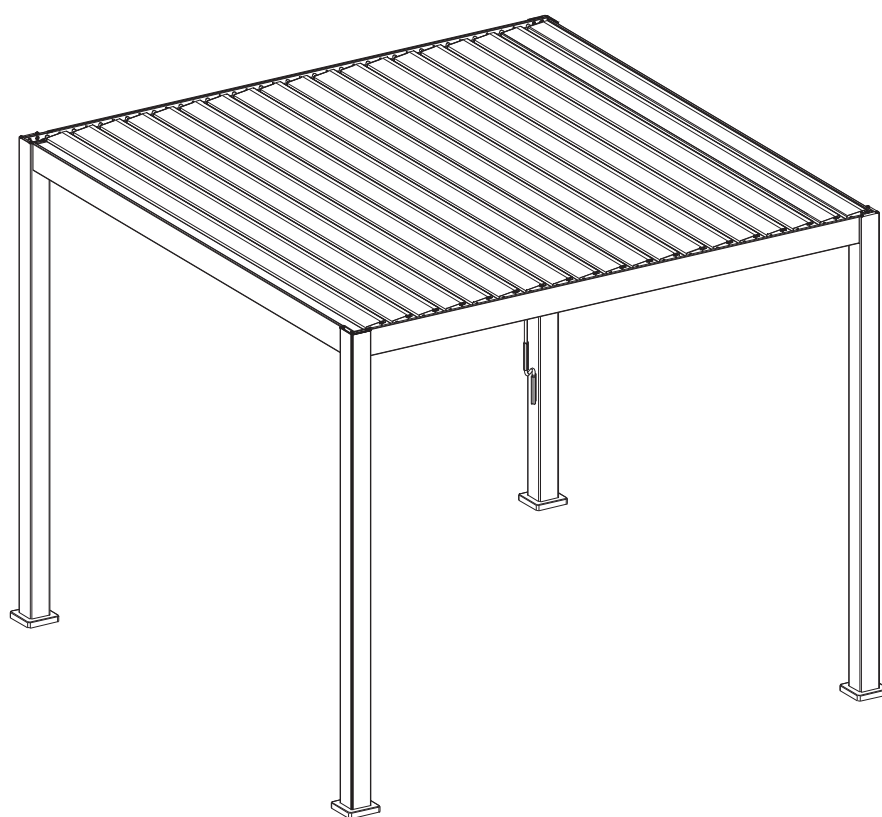
Hi,
I am your
instruction
manual

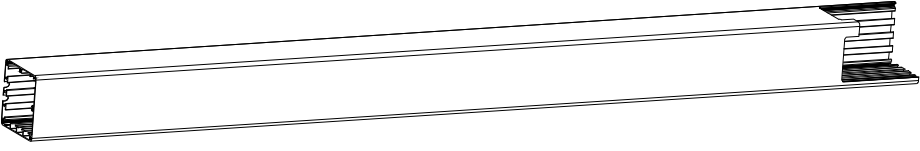
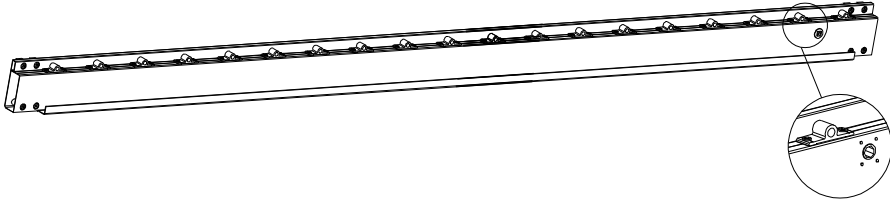
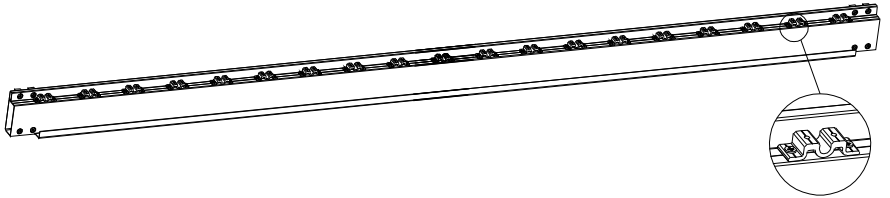
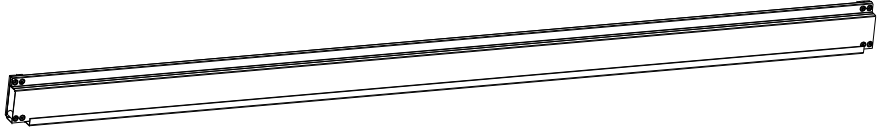

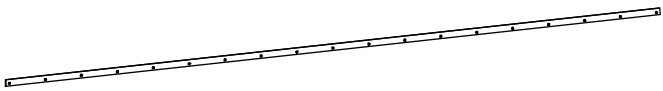

Rota 300 x 300 cm

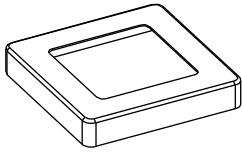
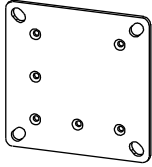
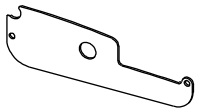

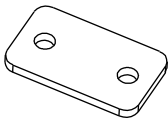
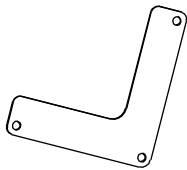
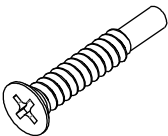
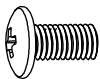

Assembly instruction

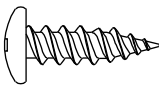
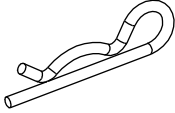

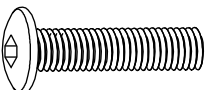
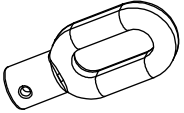
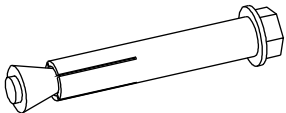

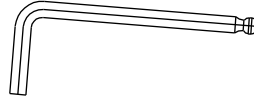
Nice to meet you

montage instructies
montageanleitung
instructions de montage
instrucciones de montaje



REF	PICTURE	QTY
A		4PCS
B1		1PC
B2		1PC
C		2PCS
D		19PCS
G		1PC
H		1PC

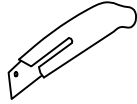
REF	PICTURE	QTY
I		4PCS
J		4PCS
K		37PCS
L		1PC
M		19PCS
N		4PCS
O		25PCS
P	 M5x10mm	40PCS
Q	 4.2x18mm	80PCS

REF	PICTURE	QTY
R	 5.5x19mm	12PCS
S		21PCS
T		1PC
U	 M6x45	1PC
V		1PC
W		16PCS
X		1PC
Y		2PCS

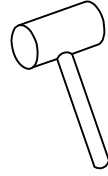
What you need?



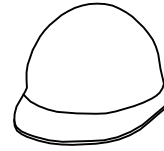
glove



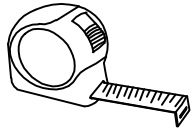
knife



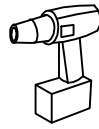
hammer



Safety hat



tapeline

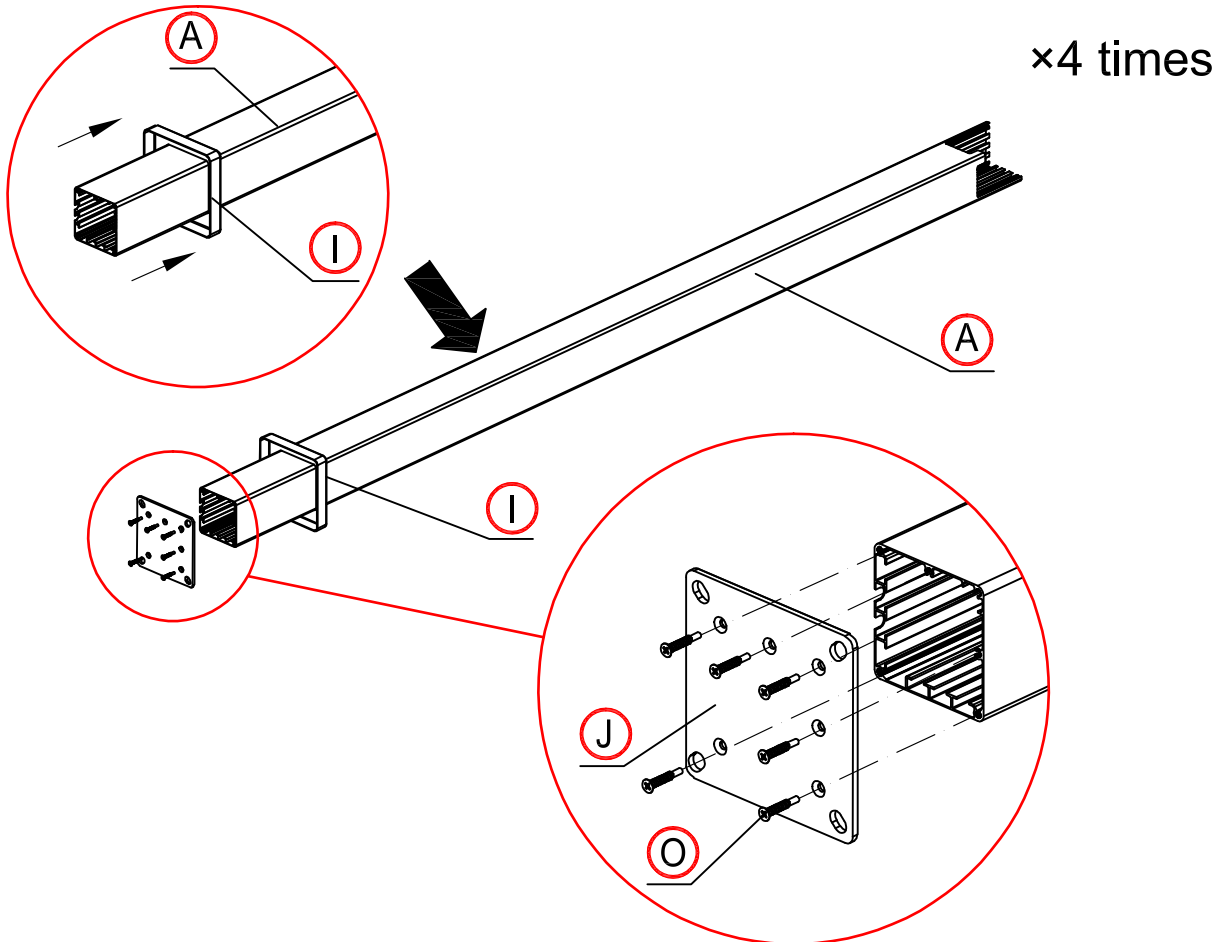


electric screw driver



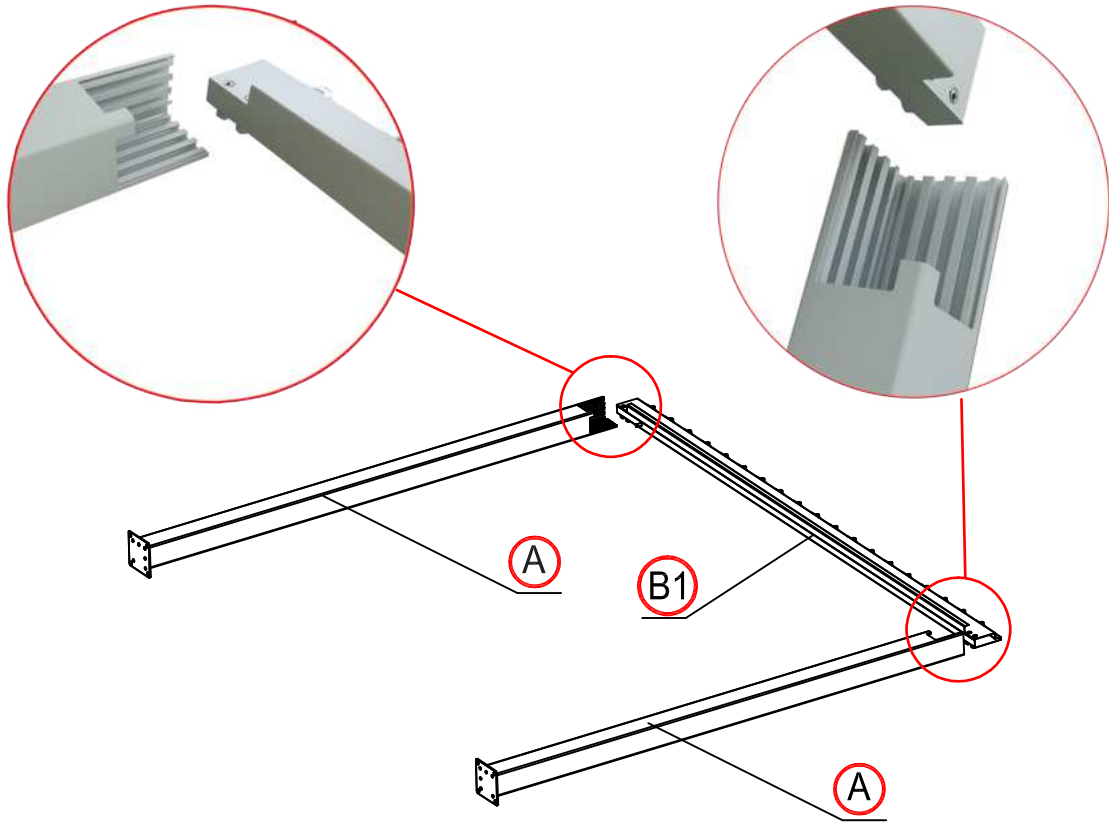
ladder

1

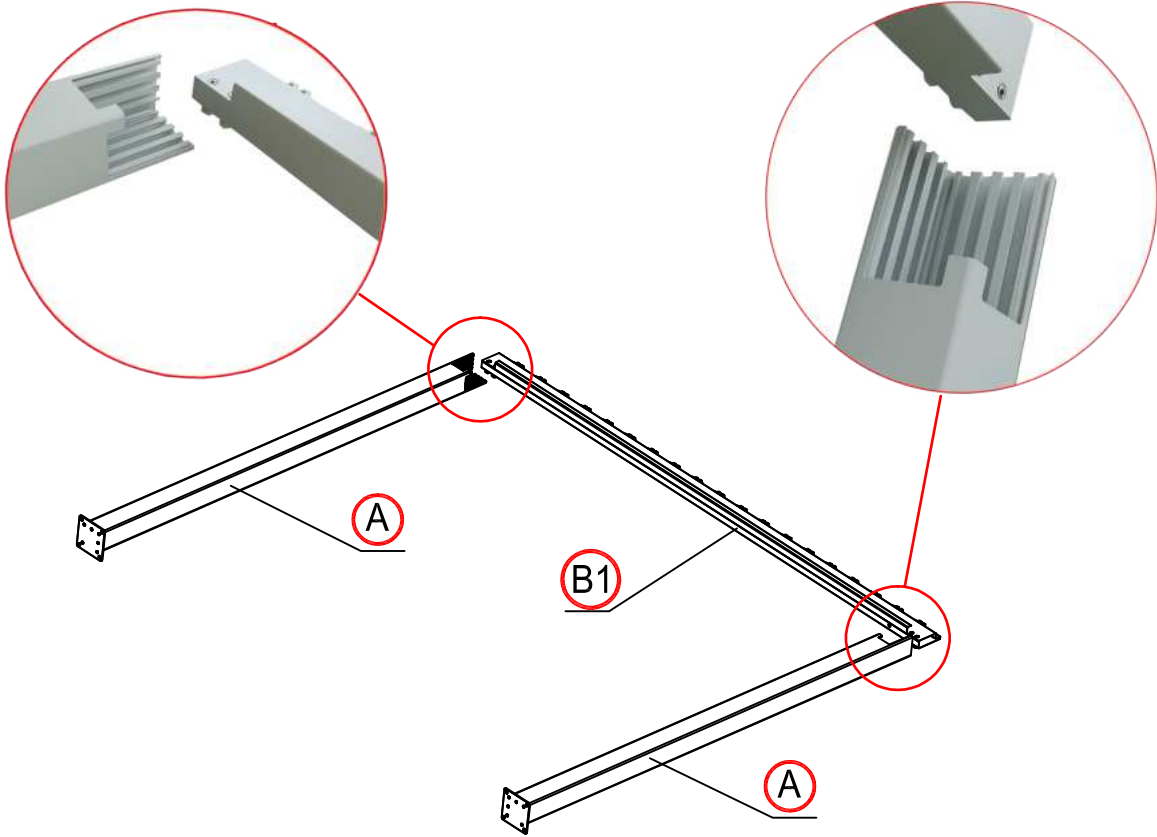


2

3

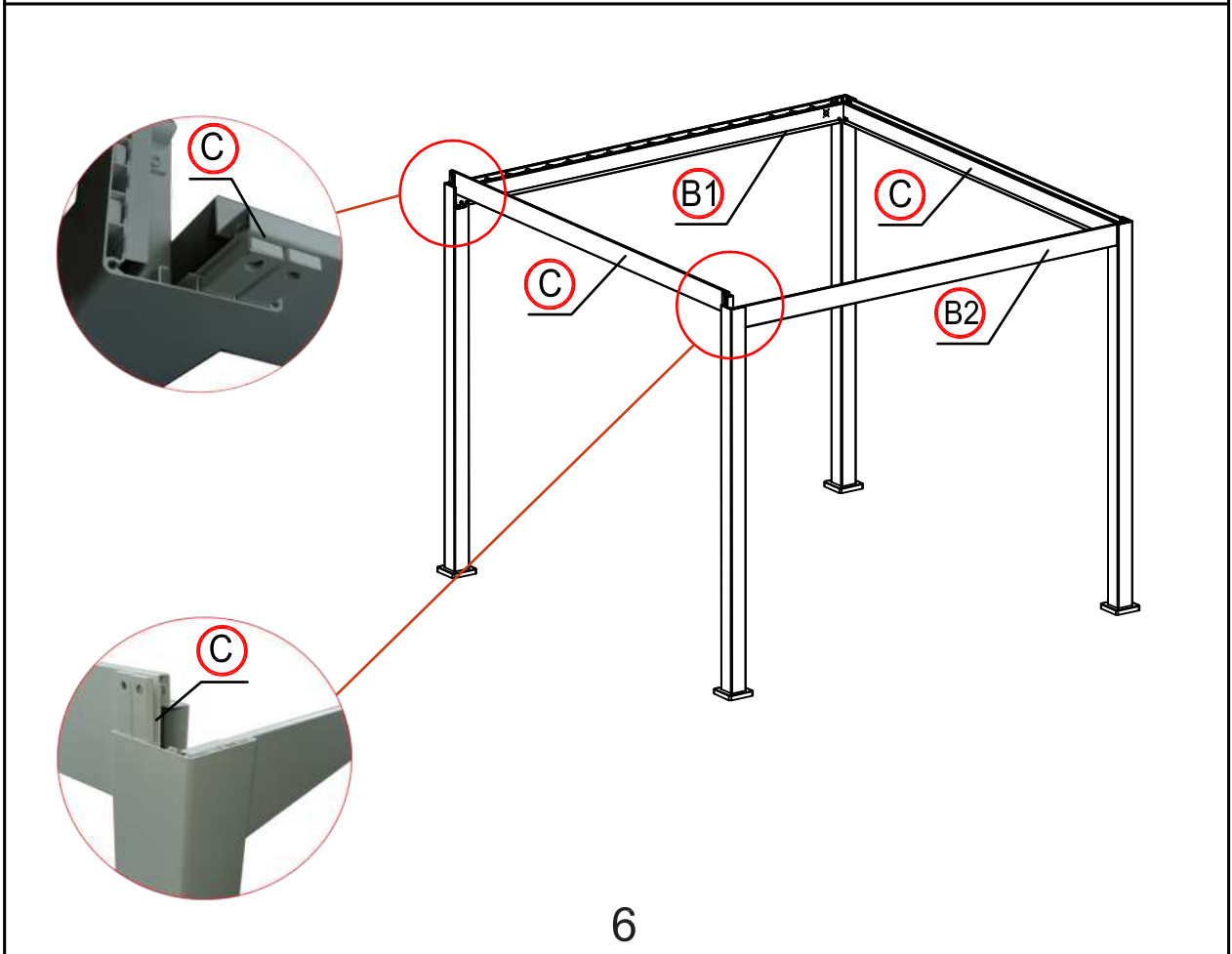
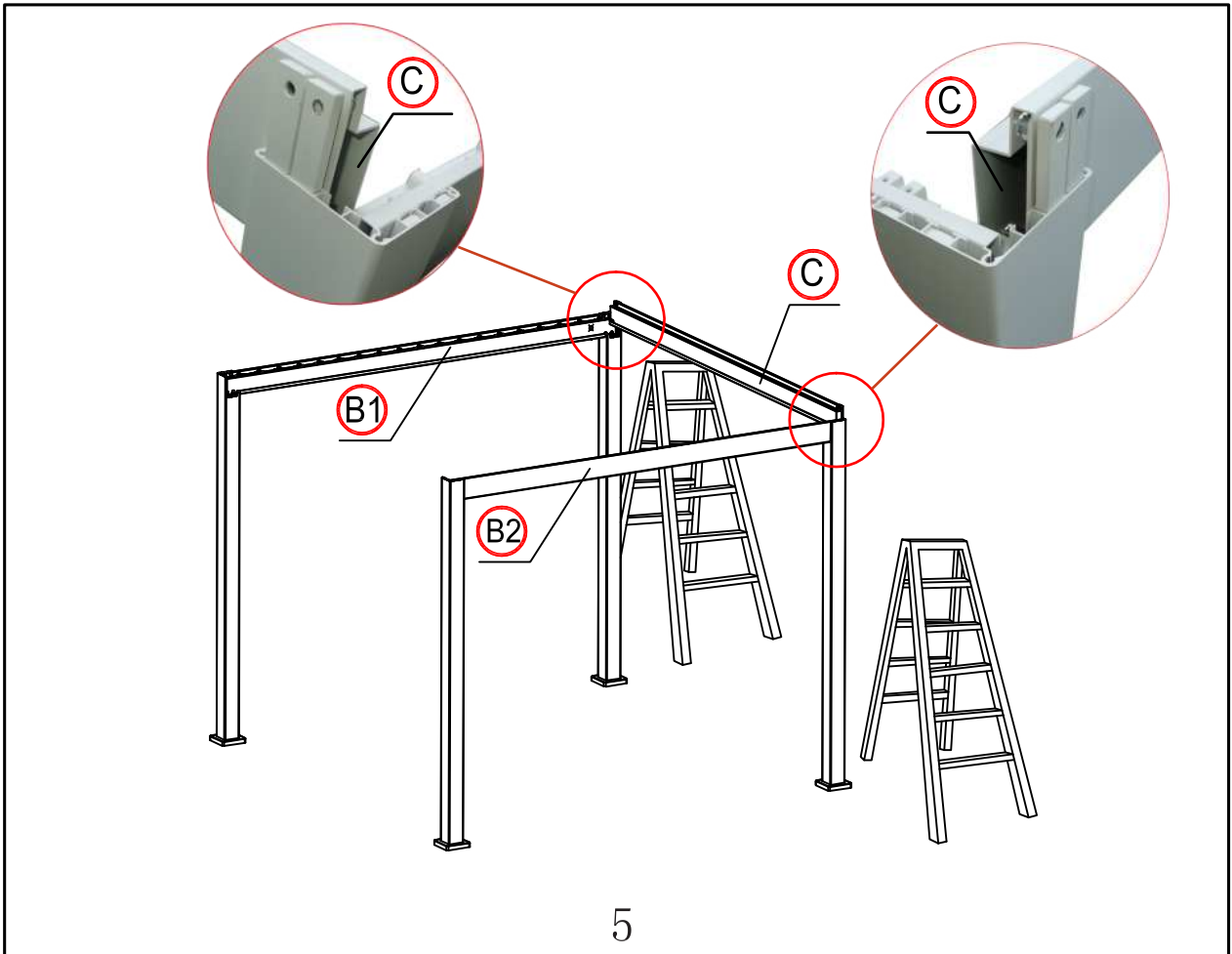


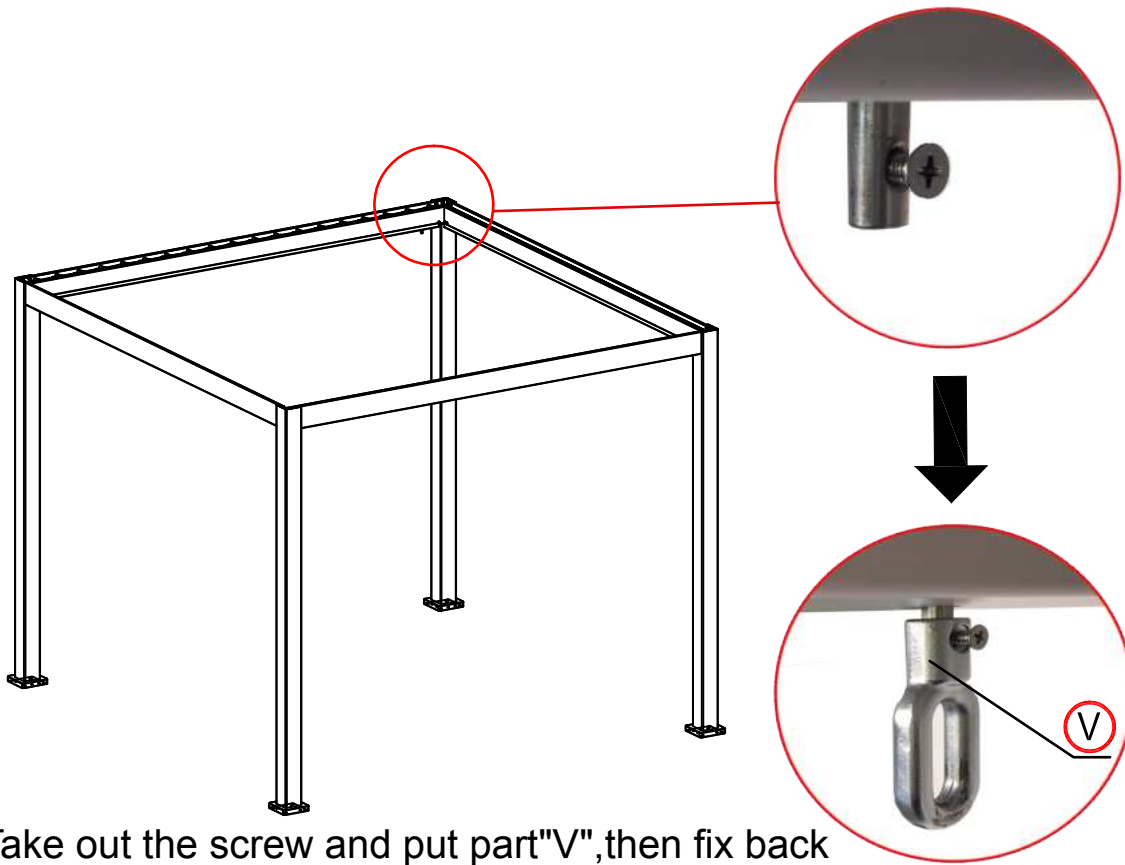
3



4

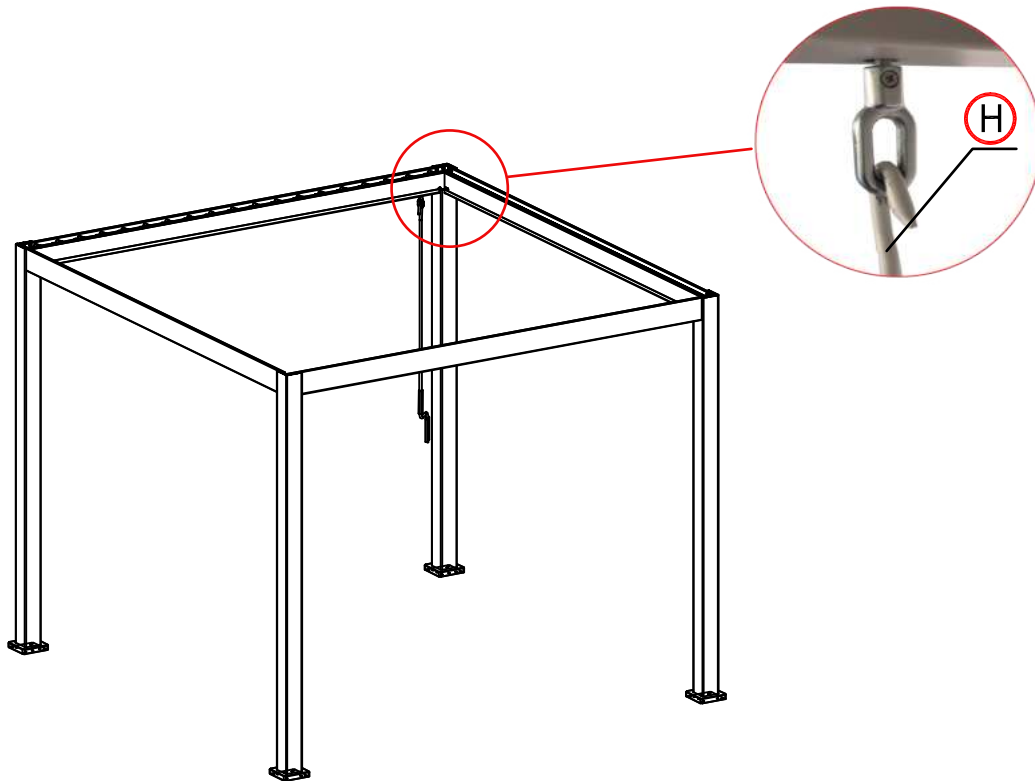
4





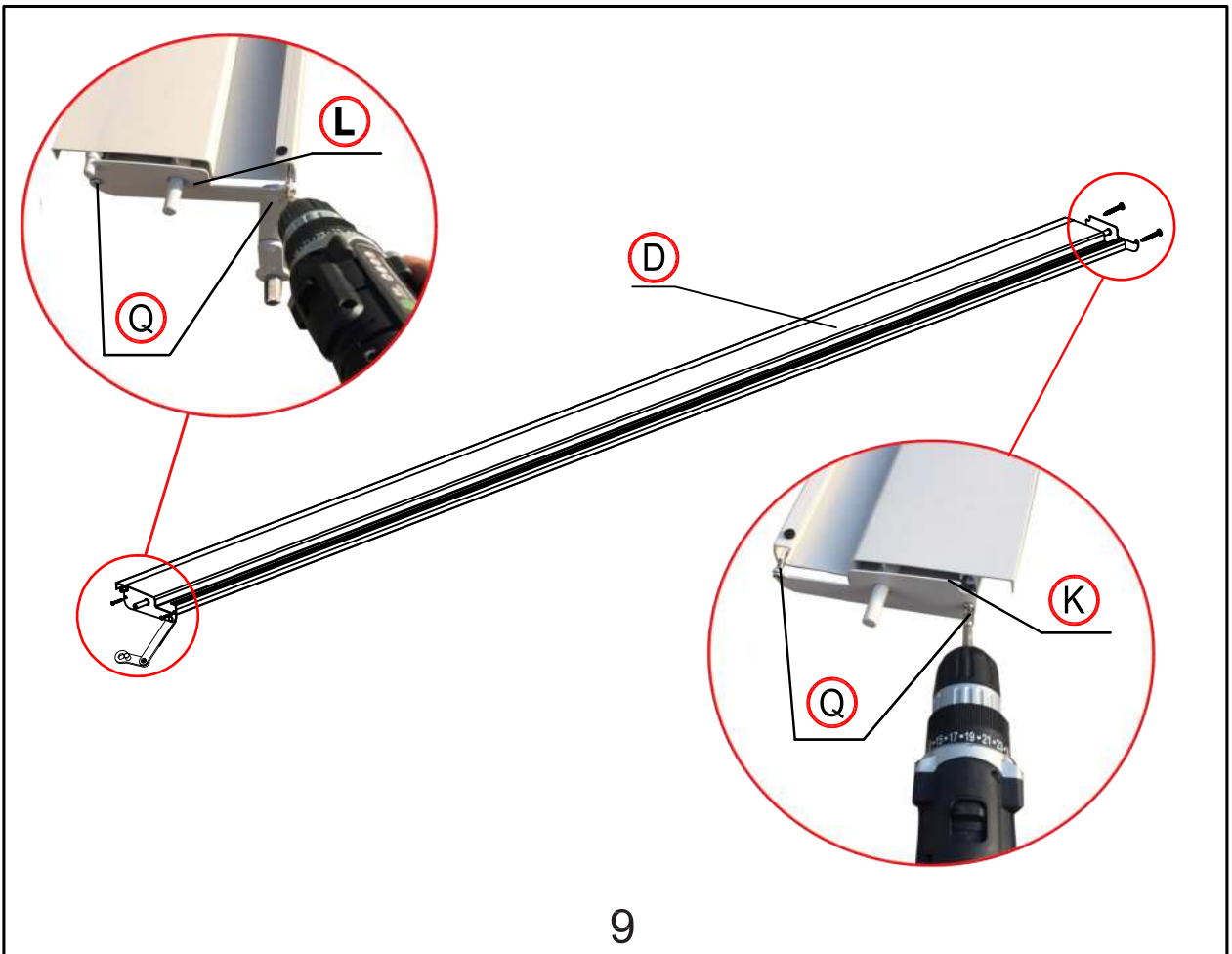
Take out the screw and put part "V", then fix back the screw.

8

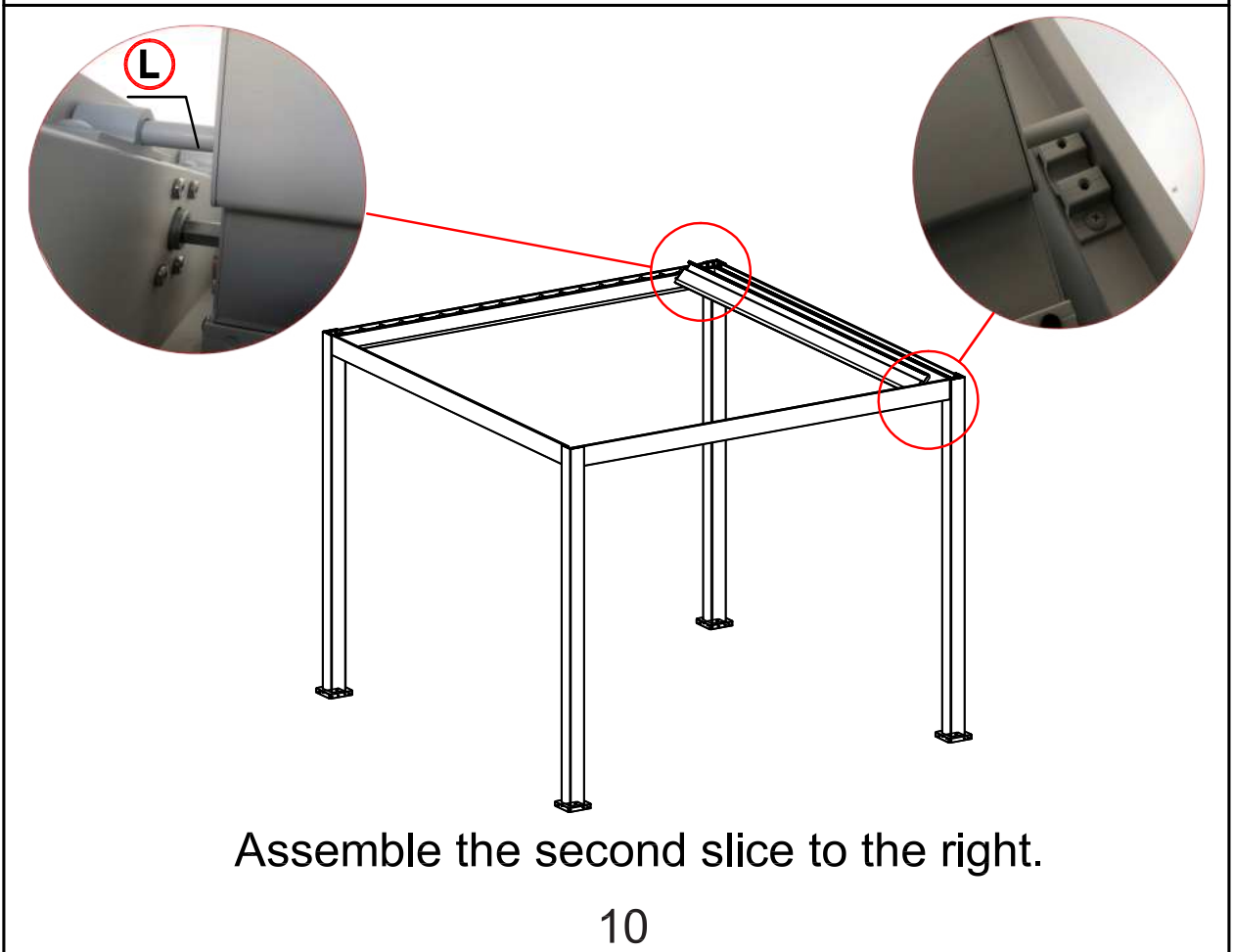


8

6



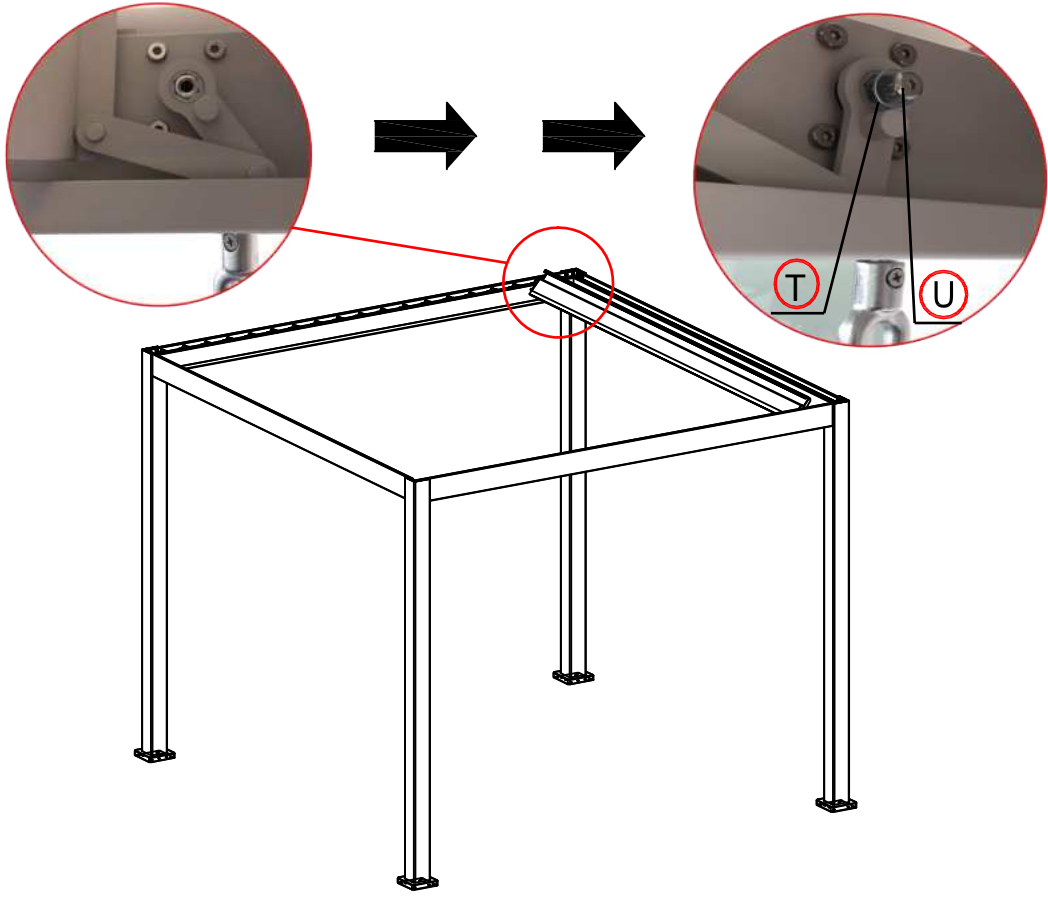
9



Assemble the second slice to the right.

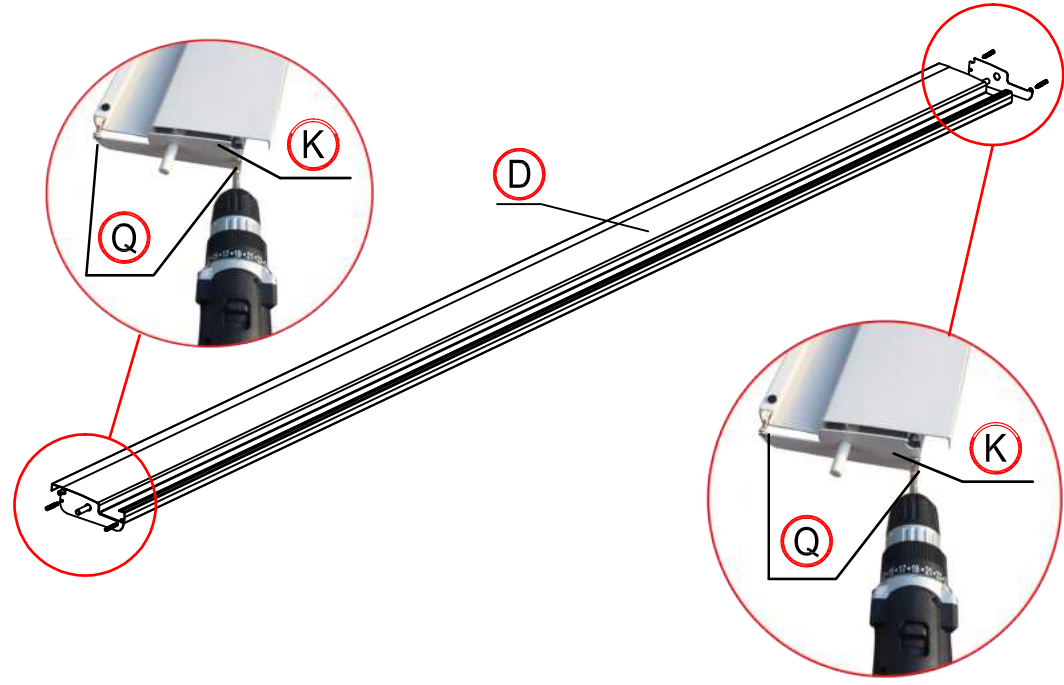
10

7



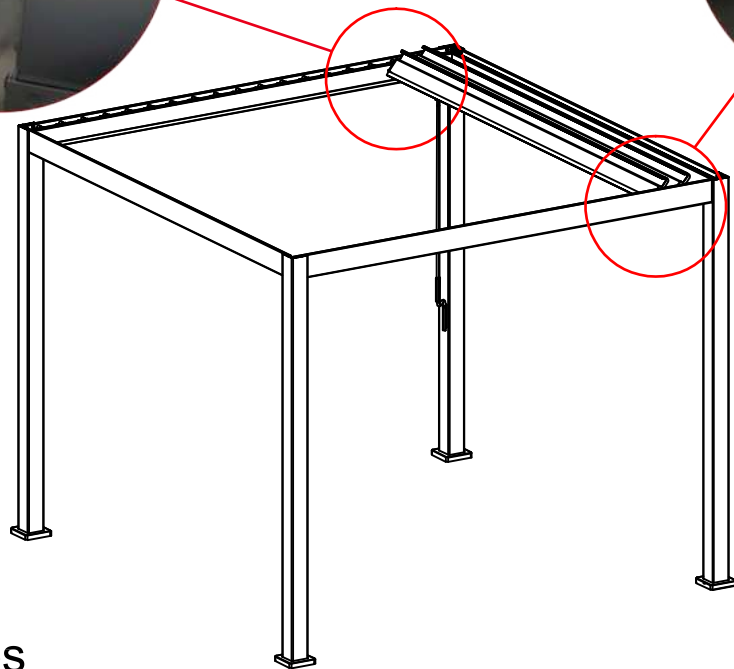
11

×18 times



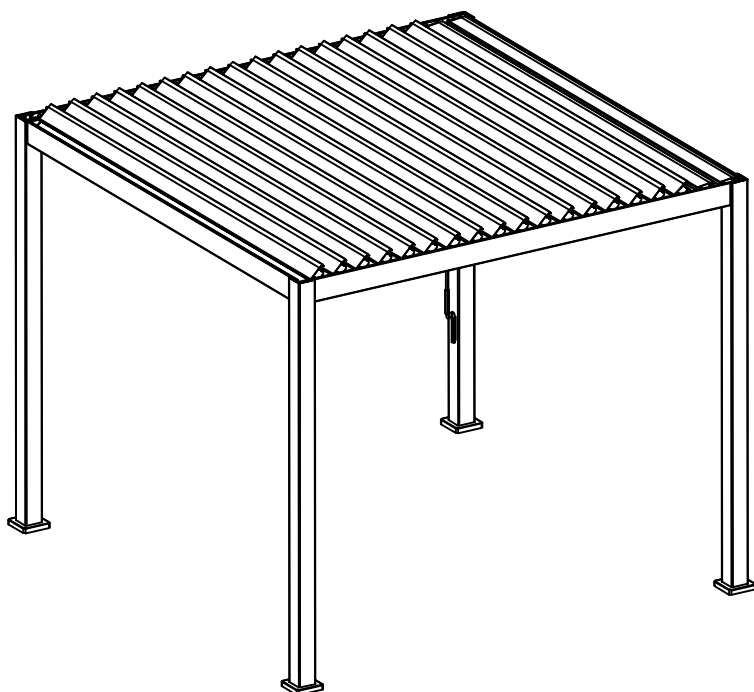
12

8



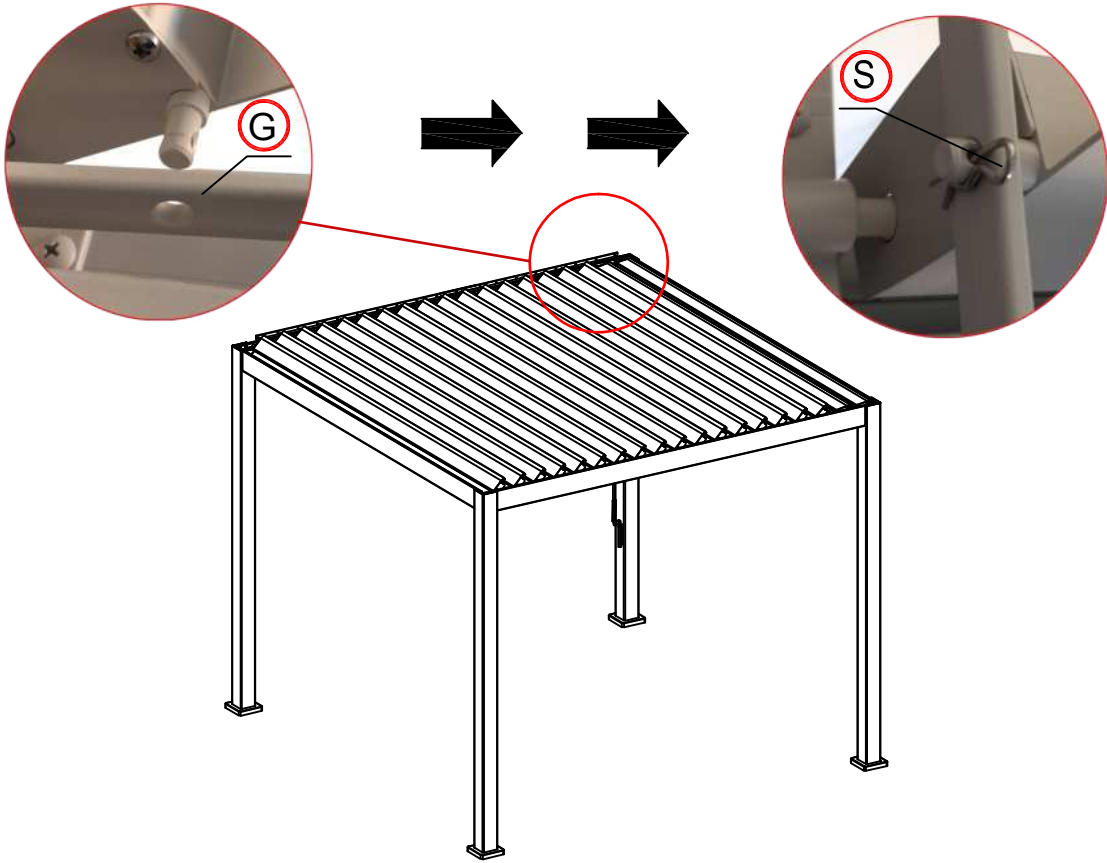
×18 times

13



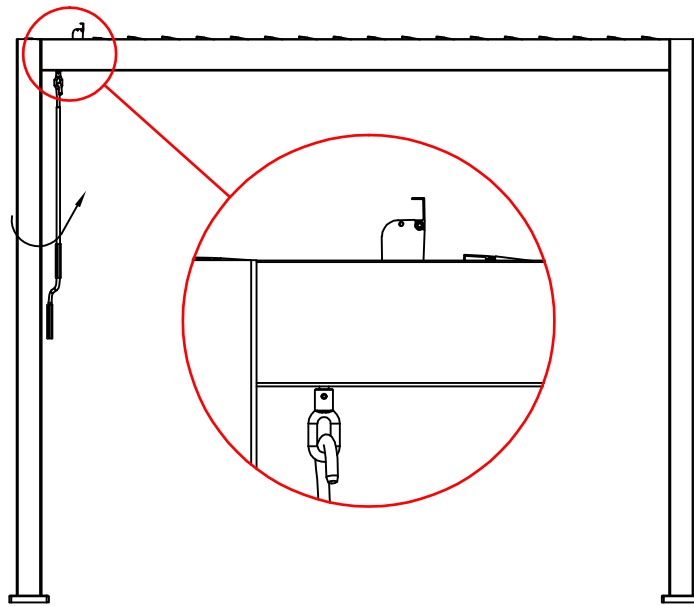
14

9



15

×19 times

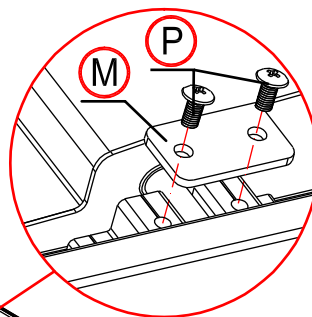
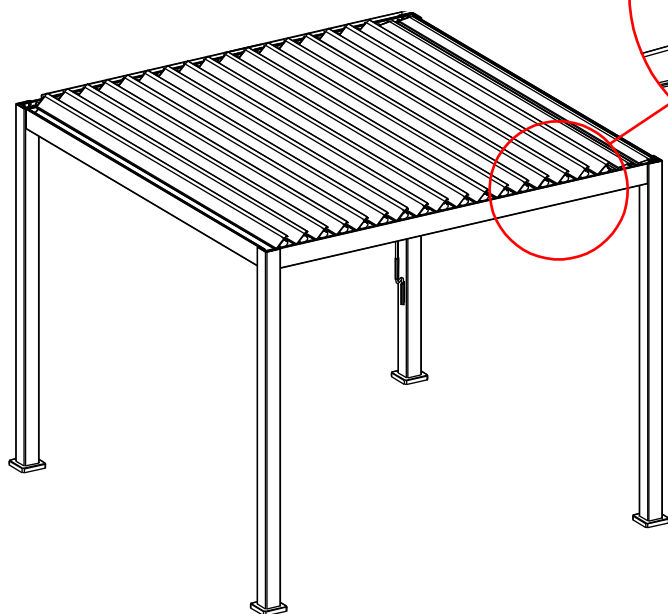


Make the shutter as vertical.

16

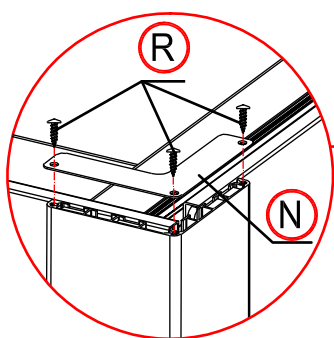
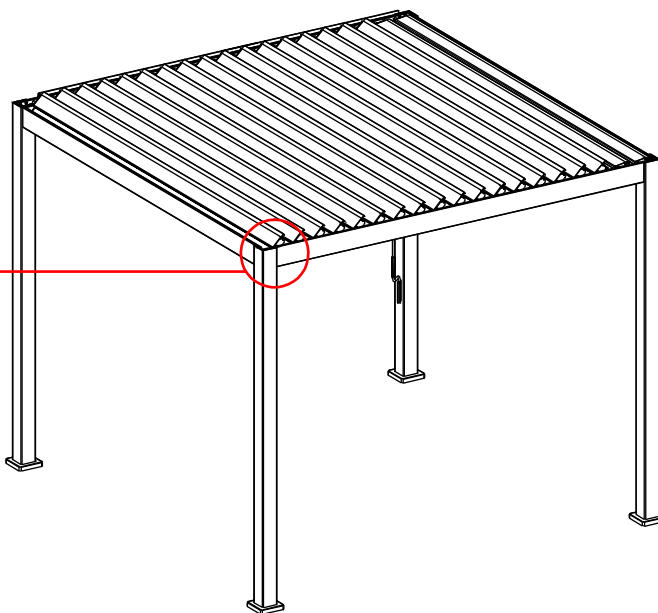
10

×19 times



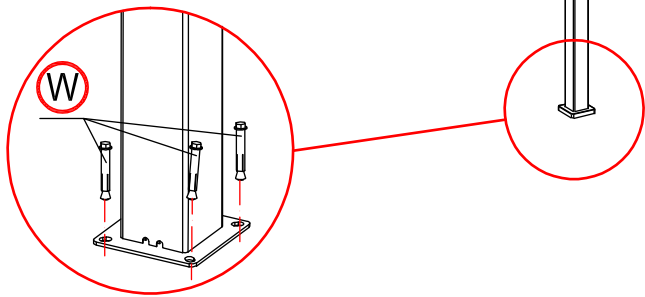
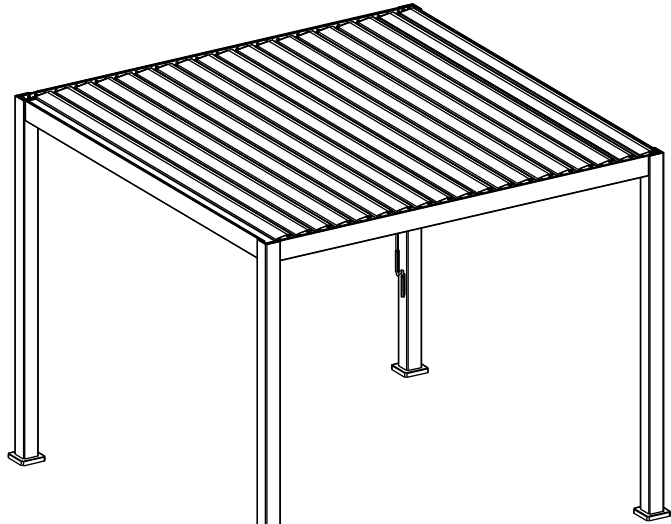
17

×4 times

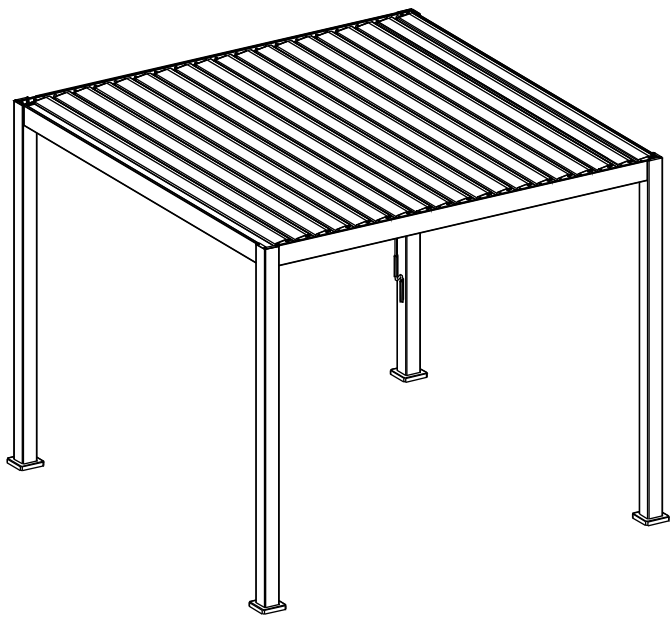


18

11



19



20

12