

# Spare part's book **2014**

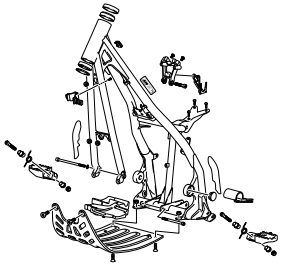
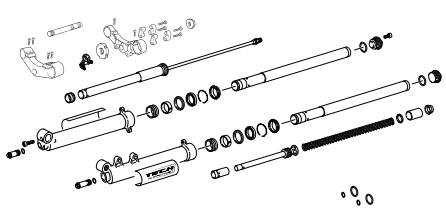
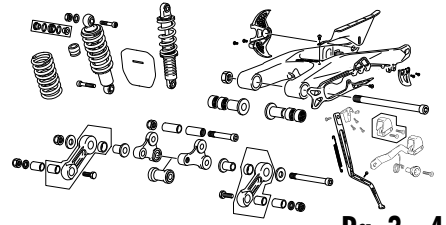
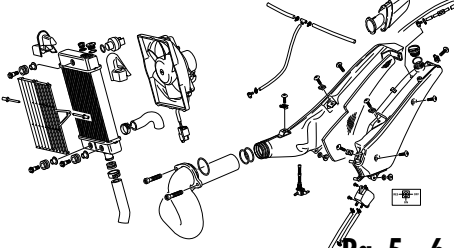
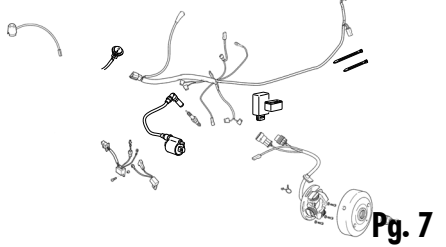
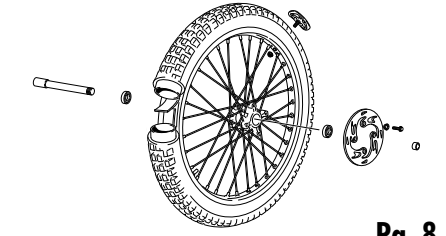
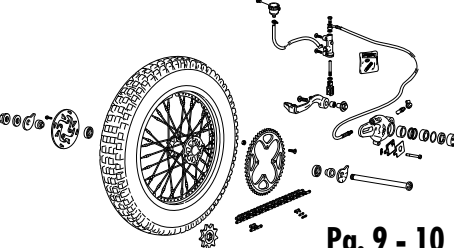
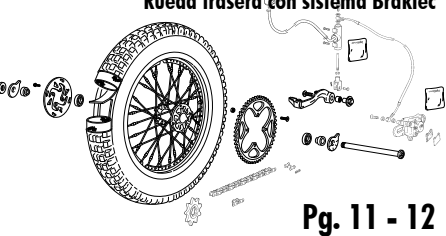
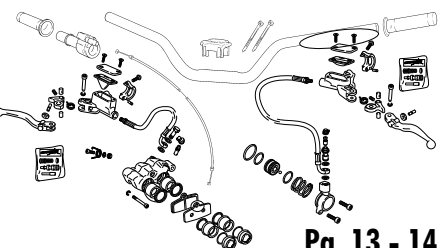
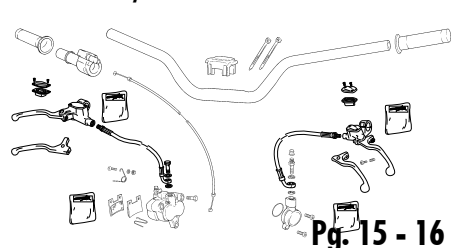
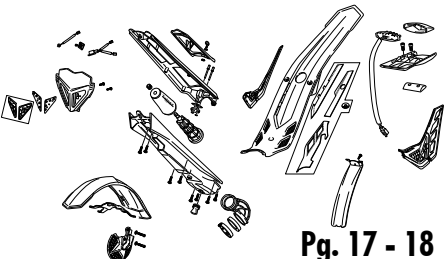

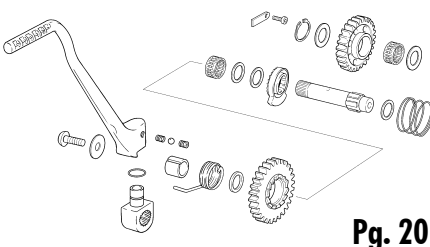
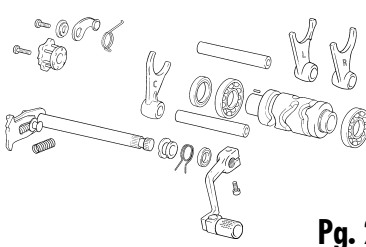
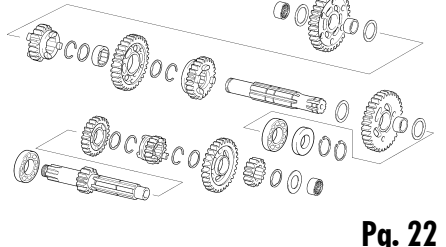
## 2T **Trial**

2.5 2.9 3.0

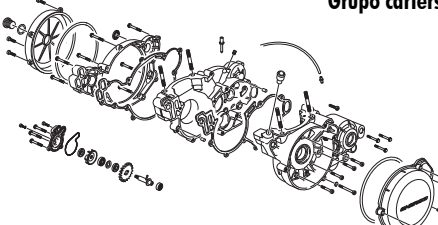


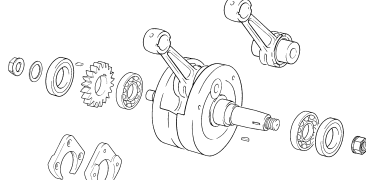
**SHERCO**  
Motorcycles

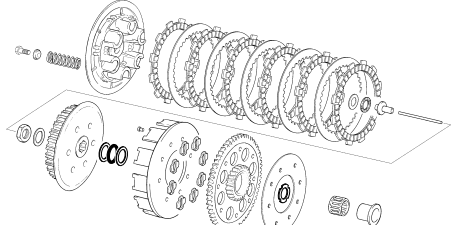
## Index / Index / Índice

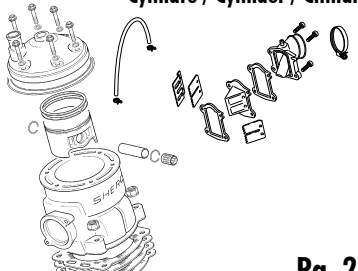
<p><b>1</b> Cadre / Frame / Chasis</p>  <p>Pg. 1</p>	<p><b>2</b> Fourche / Fork / Horquilla</p>  <p>Pg. 2</p>	<p><b>3</b> Amortisseur - Bras oscillant / Rear Shock - Swingarm / Amortiguador - Basculante</p>  <p>Pg. 3 - 4</p>
<p><b>4</b> Radiateur / Radiator / Radiador</p>  <p>Pg. 5 - 6</p>	<p><b>5</b> Faisceau électrique / Electrical system / Instalación eléctrica</p>  <p>Pg. 7</p>	<p><b>6</b> Roue avant / Front wheel / Rueda delantera</p>  <p>Pg. 8</p>
<p><b>7</b> Roue arrière / Rear wheel / Rueda trasera</p>  <p>Pg. 9 - 10</p>	<p><b>7a</b> Roue arrière avec système Braktec / Rear wheel with Braktec system / Rueda trasera con sistema Braktec</p>  <p>Pg. 11 - 12</p>	<p><b>8</b> Guidon / Handlebar / Manillar</p>  <p>Pg. 13 - 14</p>
<p><b>8a</b> Guidon avec système Braktec / Handlebar with Braktec system / Manillar con sistema Braktec</p>  <p>Pg. 15 - 16</p>	<p><b>9</b> Plastiques / Plastics / Plásticos</p>  <p>Pg. 17 - 18</p>	<p><b>10</b> Adhésif / Stiker / Adhesivos</p>  <p>Pg. 19</p>
<p><b>11</b> Lanceur / Kickstarter assembly / Pedal arranque</p>  <p>Pg. 20</p>	<p><b>12</b> Selecteur / Gear selector group / Selector cambio</p>  <p>Pg. 21</p>	<p><b>13</b> Boite a vitesses / Gear set / Cambio</p>  <p>Pg. 22</p>

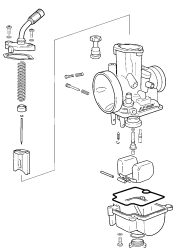
**Index / Index / Índice**

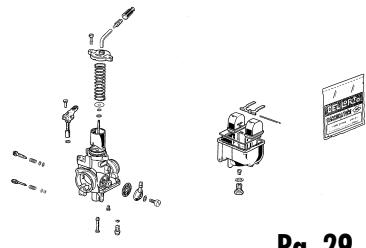
**14** Groupe carters / Crankcase assembly / Grupo carters  
  
**Pg. 23**

**15** Villebrequin assemble / Crankshaft assembly / Cigüeñal biela  
  
**Pg. 24**

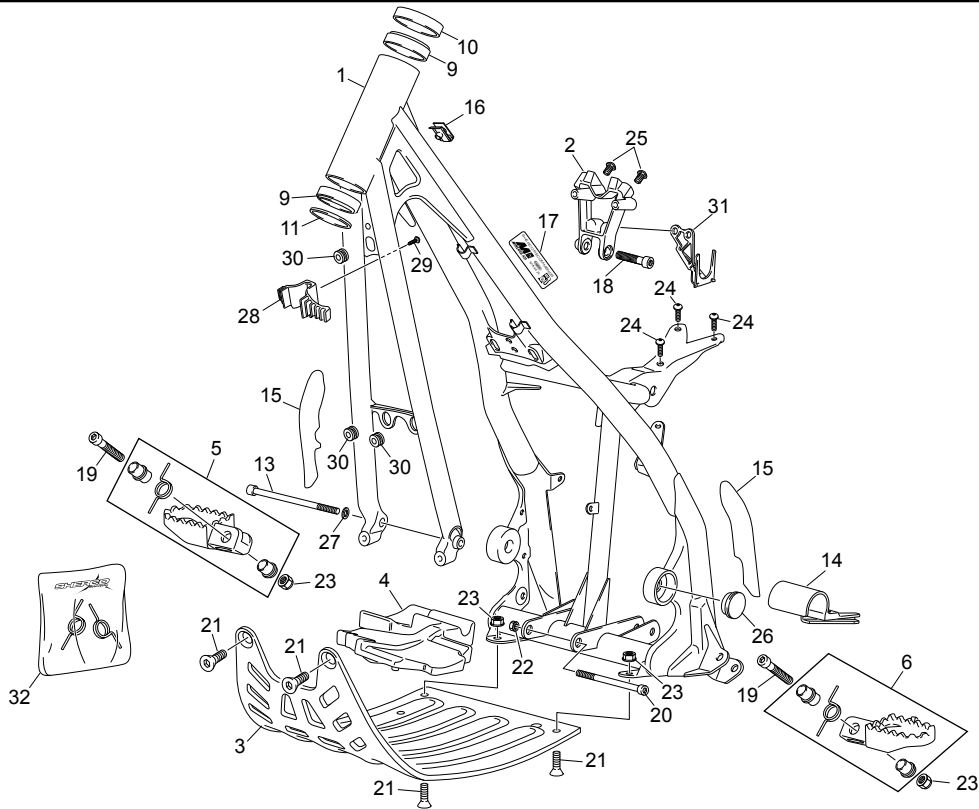
**16** Embrayage / Clutch / Embrague  
  
**Pg. 25**

**17** Cylindre / Cylinder / Cilindro  
  
**Pg. 26**

**18** Carburateur / Carburetor / Carburador KEIHIN  
  
**Pg. 27 - 28**

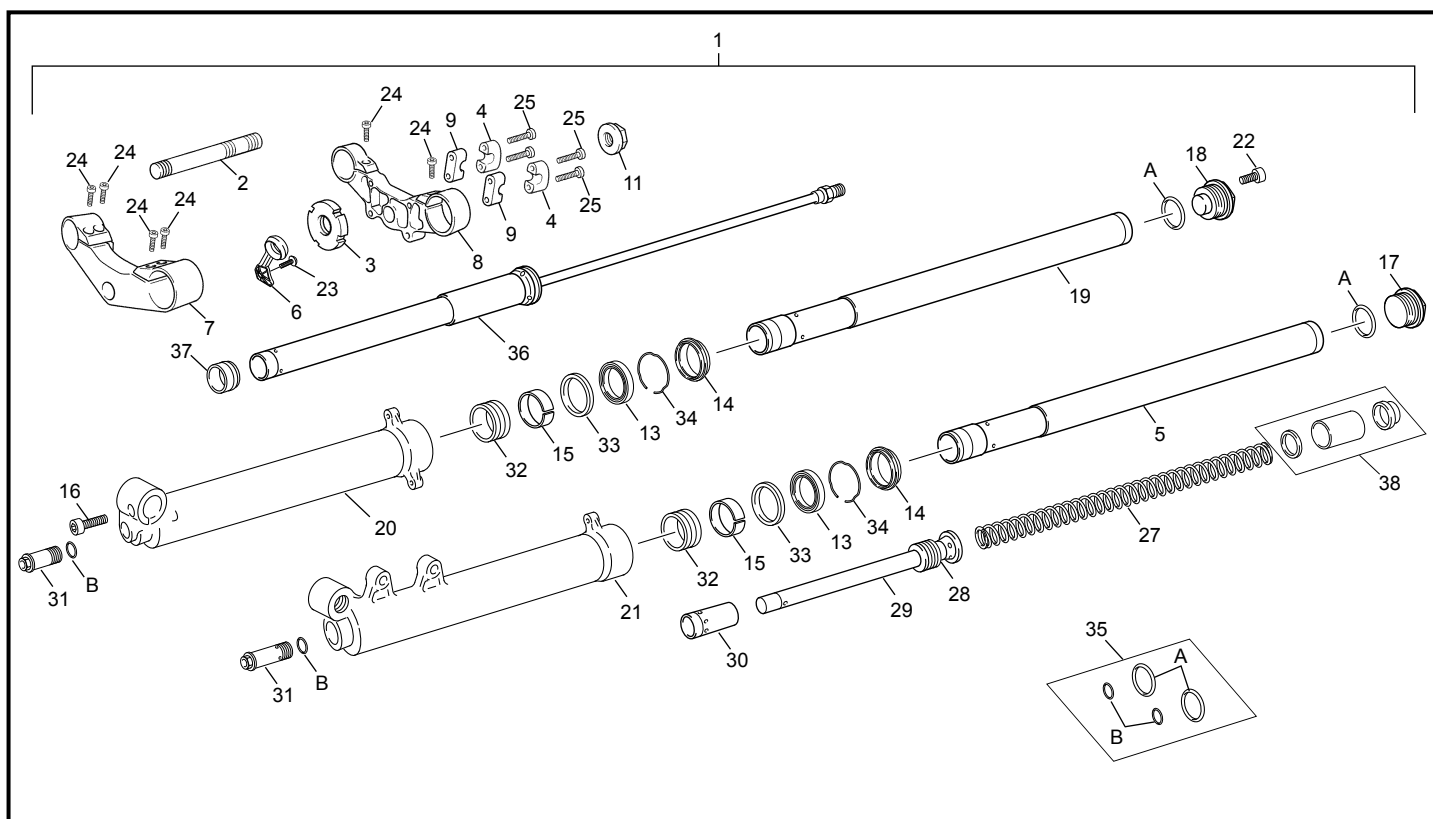
**19** Carburateur / Carburetor / Carburador Ø26  
  
**Pg. 29 - 30**

## Cadre / Frame / Chasis



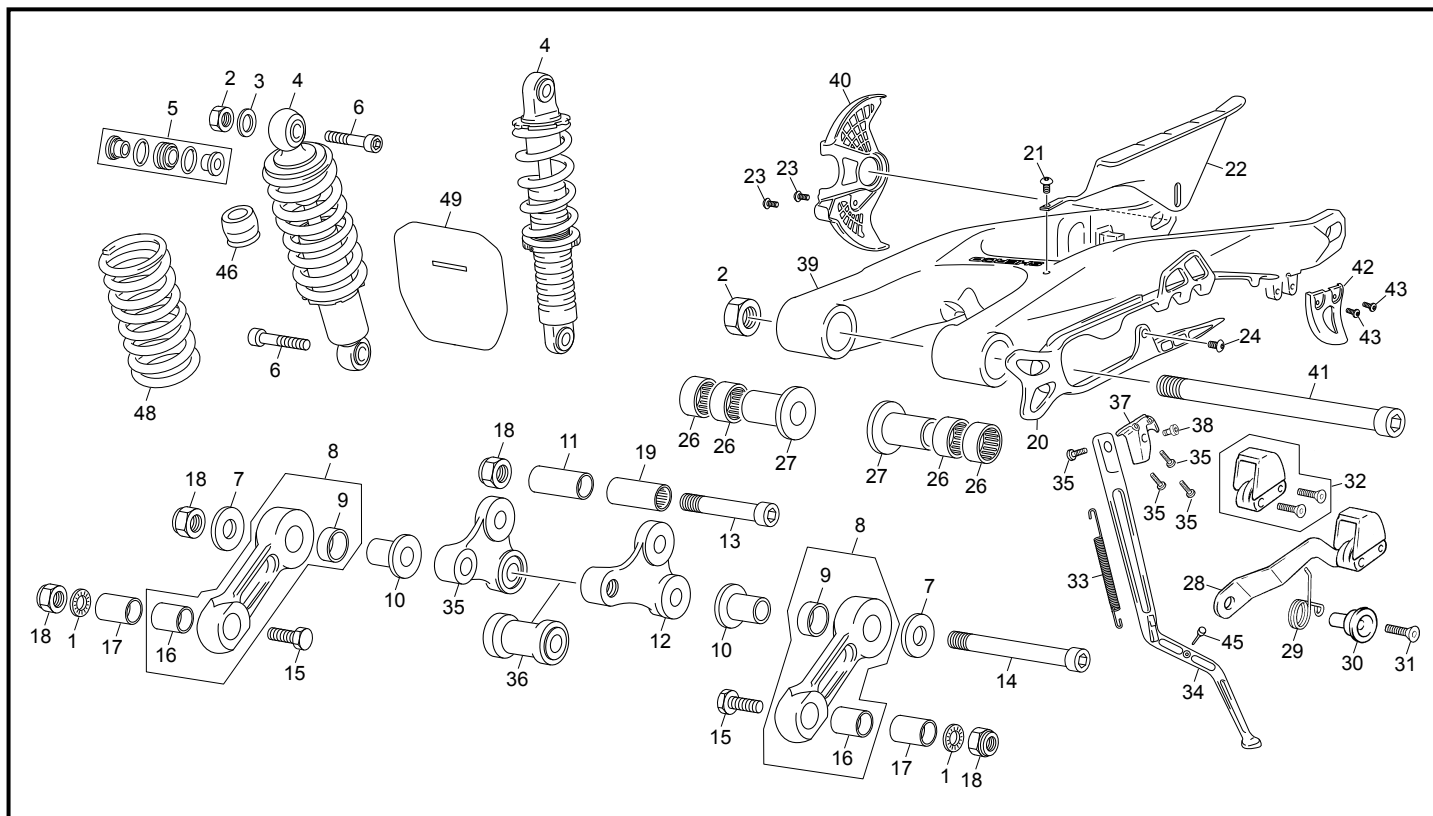
POS.	2.5	2.9	3.0	FRANÇAIS	ENGLISH	ESPAÑOL
1	4545	4545	4545	CADRE TRIAL 2T JAUNE	FRAMETRIAL 2T YELLOW	CHASIS TRIAL 2T AMARILLO
2	4549	4549	4549	PATE FIXATION CYLINDRE 2.5/2.9 NOIRE	CLINDER SUPPORT 2.5/2.9 BLACK	TIRANTE CILINDRO 2.5/2.9 NEGRO
3	2300	3583	3583	SABOT 2010	BASH PLATE 2010	PROTECTOR CARTERS MOTOR 2010
4	2327	3582	3582	CAOUTCHOUC MOTEUR 2011	BASH PLATE RUBBER 2011	CAUCHO PLACA MOTOR 2011
5	4547	4547	4547	REPOSE PIED DROITE TR NOIRE COMP.	RIGHT FOOTPEG TR BLACK COMP.	ESTRIBERA DERECHA TR NEGRA COMP.
6	4548	4548	4548	REPOSE PIED GAUCHE TR NOIRE COMP.	LEFT FOOTPEG TR BLACK COMP.	ESTRIBERA IZQUIERDA TR NEGRA COMP.
9	C009	C009	C009	ROULEMENT COLONNE DIRECTION R32004	STEERING BEARING R32004	RODAMIENTO DIRECCIÓN R32004
10	C010	C010	C010	BAGUE DE PROTECTION HAUTE PLASTIC	PLASTIC DUST COVER	GUARDA POLVO SUPERIOR PLASTIC
11	C011	C011	C011	BAGUE DE PROTECTION BASSE	FORK ALUMINIUM WHASHER	ARANDELA GUARDA POLVO INF
13	C172	C172	C172	AXE 10 X 20	PIN 10 X 120	EJE 10 X 120
14	C013	C013	C013	PATÍN CHAINE CADRE	SWINGARM CHAIN PROTECTOR	PATÍN CADENA CHASIS
15	4569	4569	4569	ADHESIF PROTEC CADRE JEU TR 13	FRAME PROTECTOR STICKER KIT TR 13	ADESIVO PROTECTOR CHASIS JUEGO TR 13
16	M308	M308	M308	ECROU CLIP M6 0500500400	NUT CLIP M6	TUERCA CLIP M6
17	C393	C393	C393	ADHESIF MINERVA S/PLOMB 98	PETROL MINERVA STICKER 98	ADHESIVO MINERVA S/PLOMO 98
18	M263	M263	M263	VIS CHC 8 X 40 0084	SCREW CHC 8 X 40	TORNILLO 8 X 40 ALLEN
19	M264	M264	M264	VIS CHC 8 X 45 0084	SCREW CHC 8 X 45	TORNILLO 8 X 45 ALLEN
20	M396	M396	M396	VIS CHC M10 X 80	SCREW CHC M10 X 80	TORNILLO CHC M10 X 80
21	M301	M301	M301	VIS FHC 8 X 20 1089	SCREW FHC 8 X 20	TORNILLO AVELLANADO M 8 X 20
22	M304	M304	M304	ECROU NYLSTOP M10 0368.10	NUT NYLSTOP M10	TUERCA NYLSTOP M10
23	M305	M305	M305	ECROU NYLSTOP M8 0368.8	NUT NYLSTOP M8	TUERCA NYLSTOP M8
24	M345	M345	M345	VIS BHC 6 X 12 CARROSSERIE	SCREW BHC 6 X 12 BODY	TORNILLO BHC 6 X 12 CARROCEÍA
25	M282	M282	M282	VIS BHC 6 X 10 1093	SCREW BHC 6 X 10	TORNILLO 6 X 10 BHC
26	C165	C165	C165	BOUCHON AXE BRAS OSCILLANT DIAM 35	COVER SWING ARM AXLE DIAM 35	TAPÓN EJE BASCULANTE DIAM 35
27	3021	3021	3021	RONDELE M10 BL DIN 7980	WASHER M10 BL DIN 7980	ARANDELA M10 BL DIN 7980
28	3156	3156	3156	BUTEE DIRECTION TR 11	STOP FRAME TRI 1	TOPE DIRECCIÓN TR 11
29	M278	M278	M278	VIS BHC 5 X 10 1093	SCREW BHC 5X10	TORNILLO 5 X 10 ULS
30	C118	C118	C118	SILENT BLOC RADIATEUR	SILENT-BLOC RADIATOR	SILENT-BLOC RADIADOR
31	3585	3585	3585	SUPPORT CDI HI TRIAL	HOLDER CDI HI TRIAL	SOPORTE CDI HI TRIAL
32	4872	4872	4872	RESSORTS REPOSE PIEDS TRIAL JEU	FOOTPEG SPRINGS KIT	MUELLES ESTRIBERAS JUEGO

### Fourche / Fork / Horquilla



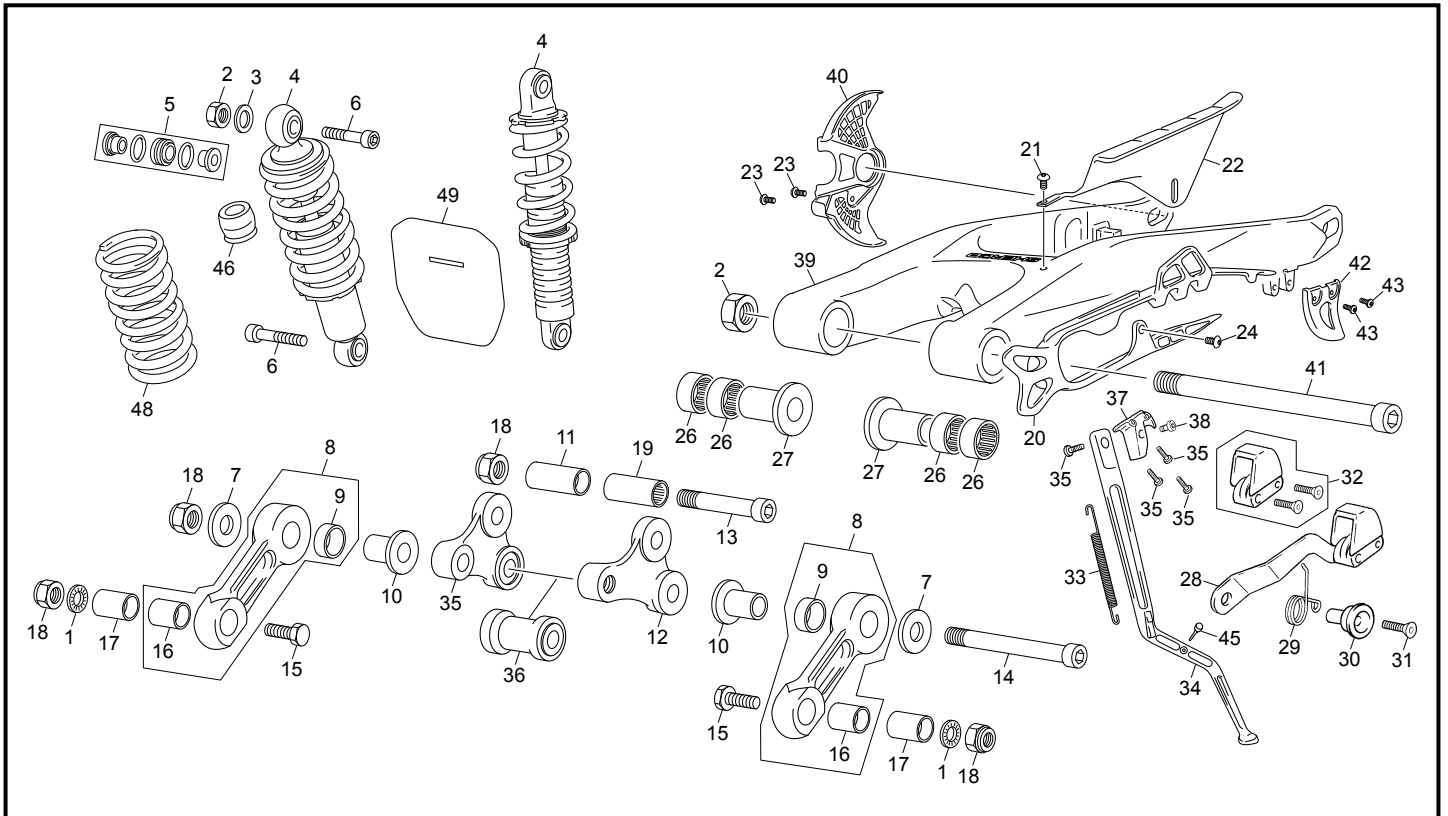
POS.	2.5	2.9	3.0	FRANÇAIS	ENGLISH	ESPAÑOL
1	3379	3379	3379	GRUPE JAMBES TS CPL TRIAL	GROUP I SWEEP TS CPL TRIAL	GRUPO BARRAS TS CPL TRIAL
2	1166	1166	1166	AXE ALUMINIUM	AXIS ALUMINIUM	EJE ALUMINIO
3	1170	1170	1170	RONDELLE ECROU ALU AXE DIRECTION 07	TOP TRIPLE CLAMP ALUMINIUM NUT 07	TUERCA FIJACIÓN ALU 07
4	4554	4554	4554	BRIDE GUIDON SUPERIEURE TITANIUM TS 39	BRIDE SUP HANDLE BAR TITANIUM TS 39	BRIDA SUPERIOR MANILLAR TITANIO TS 39
5	4256	4256	4256	GRUPE TUBE FOURCHE GAUCHE TS	GROUP STANGHON TUBE LEFT TS	GRUPO TUBO HORQUILLA IZQUIERDA TS
6	2359	2359	2359	GUIDE DURITE FREIN AV 2010	GUIDE FRONT BRAKE HOSE 2010	GUÍA LATIGUILLO FRENO DEL 2010
7	4557	4557	4557	T FOURCHE INF TITANIUM TS 39	BOTTOM PLAT FORK TITANIUM TS 39	PLATINA INF HORQUILLA TITANIO TS 39
8	4556	4556	4556	T FOURCHE SUP TITANIUM TS 39	UPPER PLAT FORK TITANIUM TS 39	PLATINA SUP HORQUILLA TITANIO TS 39
9	4555	4555	4555	BRIDE GUIDON INFERIEURE TITANIUM TS 39	BRIDE INF HANDLEBAR TITANIUM TS 39	BRIDA INFERIOR MANILLAR TITANIO TS 39
11	R108	R108	R108	ECROU ALU AXE FOURCHE 2000 949125051	ALUMINIUM NUT FOR FRONT FORK AXLE	TUERCA EJE 2000
13	3662	3662	3662	JOINT SPIE DE FOURCHE TS	FORK OIL SEAL TS	RETÉN SUSPENSIÓN DEL TS
14	3661	3661	3661	PARE POUSSIÈRE FOURCHE TS	O-RING FORK TS	GUARDA POLVO HORQUILLA TS
15	3663	3663	3663	DU TUBE FOURCHE TS	DU FRICTION TUB TS	DU TUBO TS
16	3673	3673	3673	VIS THC M8X18 DIN 7984	SCREW M8X18 DIN 7984	TORNILLO M8X18 DIN 7984
17	3664	3664	3664	BOUCHON FOURCHE GAUCHE TS	LEFT FORK PLUG TR TS	TAPÓN HORQUILLA IZQ TR TS
18	3665	3665	3665	BOUCHON FOURCHE DROITE TR TS	PLUG RIGHT FORK TR TS	TAPÓN DERECHO HORQUILLA TR TS
19	3668	3668	3668	GRUPE TUBE FOURCHE DROITE TS	GROUP STANGHON TUBE RIGHT TS	GRUPO TUBO HORQUILLA DERECHO TS
20	3667	3667	3667	JAMBE DROITE TS	RIGHT SIDE FORK TS	BOTELLA DER TS
21	3666	3666	3666	JAMBE GAUCHE TS	LEFT SIDE FORK TS	BOTELLA IZQ TS
22	3674	3674	3674	VIS BLOCCAGE POMPANTE HYDRAULIQUE	SCREW STOPER HYDRAULIC POMP	TORNILLO BLOCCAGE BOMBA HIDRÁULICA
23	M258	M258	M258	VIS BHC 5 X 16 1093	SCREW BHC 5 X 16	TORNILLO 5 X 16 ULS
24	M261	M261	M261	VIS CHC 8 X 20 0084	SCREW CHC 8 X 20	TORNILLO 8 X 20 ALLEN
25	1237	1237	1237	VIS CHC 8 X 55 0084	SCREW CHC 8 X 55	TORNILLO 8 X 55 ALLEN
27	4411	4411	4411	RESSORT DE FOURCHE TECH	FORK SPRING TECH	MUELLE HORQUILLA TECH
28	4412	4412	4412	SUPPORT ANEAU BUTEE RESSORT	SUPPORT RING FOR SPRING LIMIT	SOPORTE ANILLO TOPE MUELLE
29	4413	4413	4413	GRUPE POMPANTE TS	GROUP MECHANICAL POMPING TS	GRUPO POMPANTE TS
30	4417	4417	4417	CONE BUTEE GAUCHE	CONE LIMIT LEFT	CONO TOPE IZQUIERDO
31	4414	4414	4414	GRUPE REGULATION AIGUILLE	NEEDLE REGULATION GROUP	GRUPO REGULACIÓN AGUJA
32	4422	4422	4422	DU 38X40X20 TS	BUSH DU 38X40X20 TS	DU 38X40X20 TS
33	4421	4421	4421	RONDELE TENUE ANEAU TS	RING STOP BUSHING OIL SEAL TS	ARANDELA RETENCIÓN ANILLO TS
34	4420	4420	4420	ANEAU JOINT SPIE TS	RING STOPPER OIL SEAL TS	ANILLO RETENCIÓN RETÉN TS
35	4416	4416	4416	JEU TORIQUES	GROUP RING SEALS	JUEGO JUNTAS
36	4418	4418	4418	GRUPE CARTOUCHE	GROUP CARTRIDGE	GRUPO CARTUCHO
37	4419	4419	4419	CONE BUTEE DROITE	CONE LIMIT RIGTH	CONO TOPE DERECHO
38	4415	4415	4415	RESSORT DE FOURCHE TECH	FORK SPRING TECH	MUELLE HORQUILLA TECH

### Amortisseur - Bras oscillant / Rear Shock - Swingarm / Amortiguador - Basculante



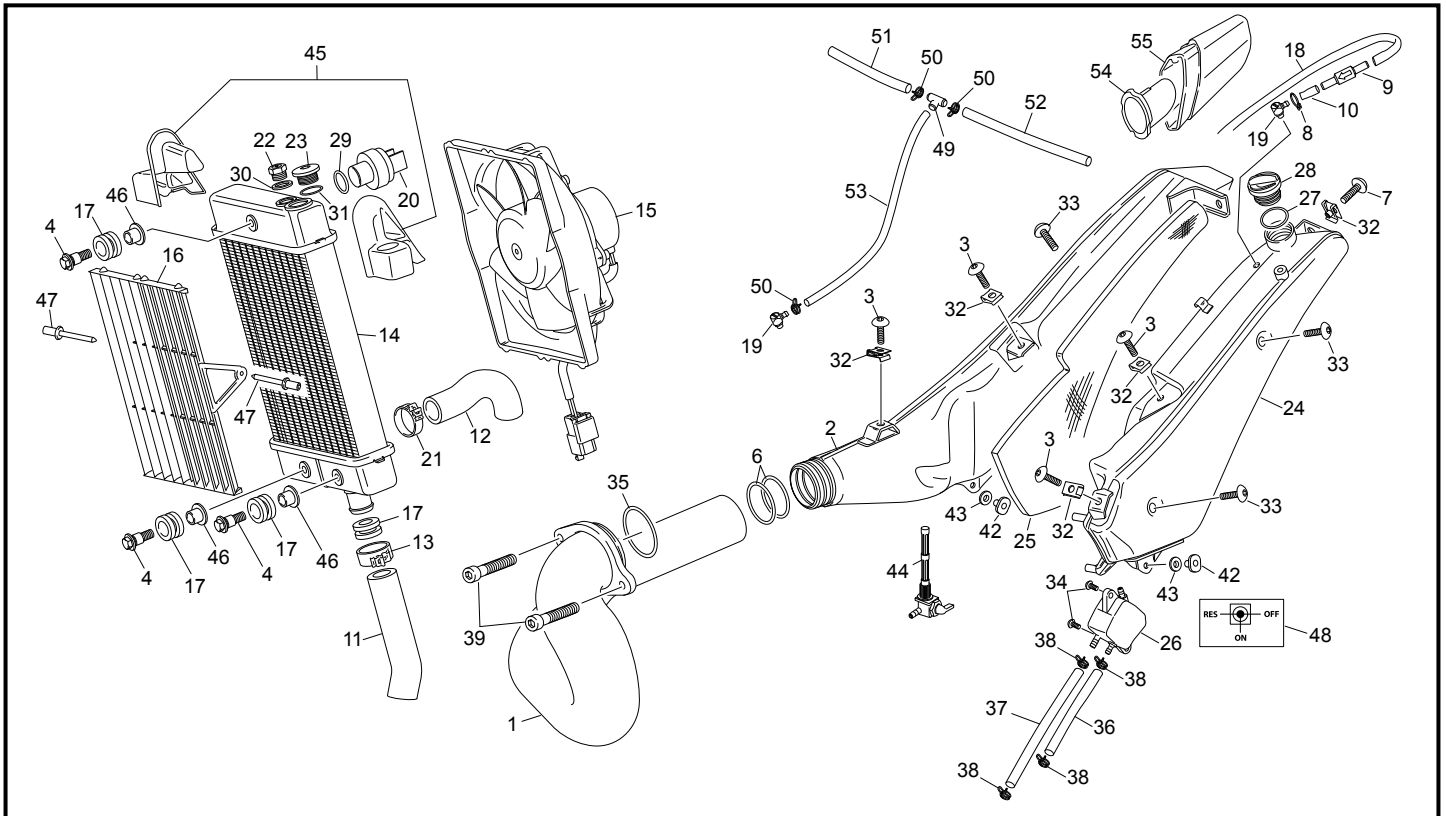
POS.	2.5	2.9	3.0	FRANÇAIS	ENGLISH	ESPAÑOL
1	1432	1432	1432	RONDELLE AET 8	WASHER X AET 8	ARANDELA AET 8
2	M310	M310	M310	ECROU PLAT M14 X 150 0319	NUT PLAT M14 X 150	TUERCA REBAJADA M14 X 150
3	M315	M315	M315	RONDELLE X 10 1405 010	WASHER X 10	ARANDELA X 10 DIN 125 A
4	2829	3610	3610	AMORTISSEUR TRIAL 2010	REAR SHORK TRIAL 2010	AMOTIGUADOR TRIAL 2010
5	1685	1685	1685	KIT ROTULE AMORTISSEUR 2008	SHORK ROTULE SET 2008	KIT RÓTULA AMORTIGUADOR 2008
6	C173	C173	C173	AXE 10 X 42	PIN 10 X 42	EJE 10 X 42
7	M320	M320	M320	RONDELLE 10 X 30 X 2.5 0416	WASHER 10 X 30 X 2.5	ARANDELA 10 X 30 X 2.5 DIN 9021
8	3447	3447	3447	BIELETTE TIRANT SIMPLE VOIR 2947	REAR SUSPENSION LINK SEE 2947	BIELETA SUSPENSIÓN VER 2947
9	2945	2945	2945	DOUILLE FRICTION 16X18X15	BEARING FRICTION 16X18X15	COJINETE FRICCIÓN 16X18X15
10	C171	C171	C171	ENTRETOISE TIRANT EPAULEE	LINK SPACER	CASQUILLO BIELETA CON ARANDELA
11	C152	C152	C152	ENTRETOISE SUSPENSION	SPACER SUSPENSION	CASQUILLO SUSPENSIÓN
12	3445	3445	3445	BIELETTE DELTA TRIAL 2010	REAR SUSPENSION DELTA LINK TRIAL 2010	TRAPECIO SUSPENSIÓN TRIAL 2010
13	C174	C174	C174	AXE 10 X 72	PIN 10 X 72	EJE 10 X 72
14	C172	C172	C172	AXE 10 X 20	PIN 10 X 20	EJE 10 X 20
15	C175	C175	C175	VIS HEXA TETE BASSE	SPECIAL HEAD SCREW HEX	TORNILLO HEX C/REBAJADA
16	2946	2946	2946	DOUILLE FRICTION 14X16X15	BEARING FRICTION 14X16X15	COJINETE FRICCIÓN 14X16X15
17	C170	C170	C170	ENTRETOISE TIRANT	LINK SPACER	CASQUILLO BIELETA
18	M305	M305	M305	ECROU NYLSTOP M8 0368.8	NUT NYLSTOP M8	TUERCA NYLSTOP M8
19	C167	C167	C167	DOILLER AIGUILLE BRAS/ SUSP HK 16X20X2RS	BEARING HK 16202RS	CASQUILLO AGUJAS BASCU/SUSP HK16202RS
20	1207	1207	1207	PATÍN DE CHAINE 07 TRIAL	CHAIN GUIDE PLATE 07 TRIAL	PATÍN CADENA 07 TRIAL
21	M258	M258	M258	VIS BHC 5 X 16 1093	SCREW BHC 5 X 16	TORNILLO 5 X 16 ULS
22	1208	1208	1208	CARTER DE CHAINE 07	CHAIN PROTECTOR 07	CUBRE CADENAS 07
23	M282	M282	M282	VIS BHC 6 X 10 1093	SCREW BHC 6 X 10	TORNILLO 6 X 10 BHC
24	M278	M278	M278	VIS BHC 5 X 10 1093	SCREW BHC 5X10	TORNILLO 5 X 10 ULS
26	C151	C151	C151	DOUILLE AIGUILLE BRAS HK 20X20X2 RS	BEARING HK 20X20X2RS	CASQUILLO AGUJAS BASCULANTE HK20X20X2RS
27	C153	C153	C153	ENTRETOISE ARTICULATION BRAS	SPACER SWING ARM	CASQUILLO EJE BASCULANTE
28	C164	C164	C164	TENDEUR DE CHAINE	CHAIN TENSIONER	TENSOR CADENA
29	R205	R205	R205	RESSORT TENDEUR DE CHAINE	SPRING CHAIN TENSIONER	MUELLE TENSOR CADENA
30	R206	R206	R206	ENTRETOISE TENDEUR DE CHAINE	SPECER CHAIN ADJUST	CASQUILLO TENSOR CADENA
31	M300	M300	M300	VIS FHC 8 X 35 1089	SCREW FHC 8 X 35	TORNILLO AVELLANADO M8 X 35
32	R047	R047	R047	CAOUTCHOUC TENDEUR SEUL	CHAIN STRETCHER PLATE	GOMA TENSOR CADENA
33	C161	C161	C161	RESSORT DE BEQUILLE	SIDE STAND SPRING	MUELLE CABALLETE
34	4559	4559	4559	BEQUILLE SEULE ALU NOIR	LATERAL STAND BLACK	CABALLETE ALUMINIO NEGRO
35	3444	3444	3444	VIS BHC 8 X 12 1093	SCREW BHC 8 X 12	TORNILLO 8 X 12 ULS
36	3446	3446	3446	ENTRETOISE BIELETTE DELTA TRIAL 2012	DELTA LINK SPACER TRIAL 2012	CASQUILLO TRAPECIO SUSPENSIÓN TRIAL 2012

### Amortisseur - Bras oscillant / Rear Shock - Swingarm / Amortiguador - Basculante



POS.	2.5	2.9	3.0	FRANÇAIS	ENGLISH	ESPAÑOL
37	4542	4542	4542	SUPPORT DE BEQUILLE SANS BUTEE NOIR	STAND HOLDER WITHOUT RETAIN BLACK	SUPORTE CABALLETE SIN TOPE NEGRO
38	C166	C166	C166	VIS SPECIALE BEQUILLE	SIDE STAND SPECIAL BOLT	TORNILLO ESPECIAL CABALLETE
39	1093	1093	1093	BRAS OSCILLANT 07	SWINGARM 07	BASCULANTE 07
40	2024	2024	2024	PROTECTEUR DISC ARIERE 09 NOIR TR	PROTECTOR BRAKE DISC BACK 09 BLACK	PROTECTOR DISCO TRASERO NEGRO 09
41	C154	C154	C154	AXE BRAS OSCILLANT	ALUMINIUM SWINGARM AXLE	EJE BASCULANTE ALUMINIO
42	2026	2026	2026	PROTECTEUR COURRONE NOIR TR	PROTECTOR SPROKET BLACK TR	PROTECTOR CORONA NEGRO TR
43	M278	M278	M278	VIS BHC 5 X10 1093	SCREW BHC 5X10	TORNILLO 5 X 10 ULS
45	1663	1663	1663	CAUTCHOUX DE MAINTIEN DE BEQUILLE TRIAL 08	STAND SIDE RUBER TRIAL 08	GOMA CABALETE 08
46	1686	1686	1686	BUTEEE CAOUTCHOUX AMORTISSEUR 08	RUBBER TOP AMORTIGUADOR 08	GOMA TOPE AMORTIGUADOR 08
48	3645	3645	3645	RESSORT AMORTISSEUR TRIAL 8.3 Kg/m.m.	SPRING SHOCK ABSORVER TRIAL 8.3 Kg/m.m.	MUELLE AMORTIGUADOR TRIAL 8.3 Kg/m.m.
49	3425	3425	3425	BAVETTE AMORTISSEUR SSDT	SHOCK ABSORBER PROTECTOR SSDT	PROTECTOR AMORTIGUADOR SSDT

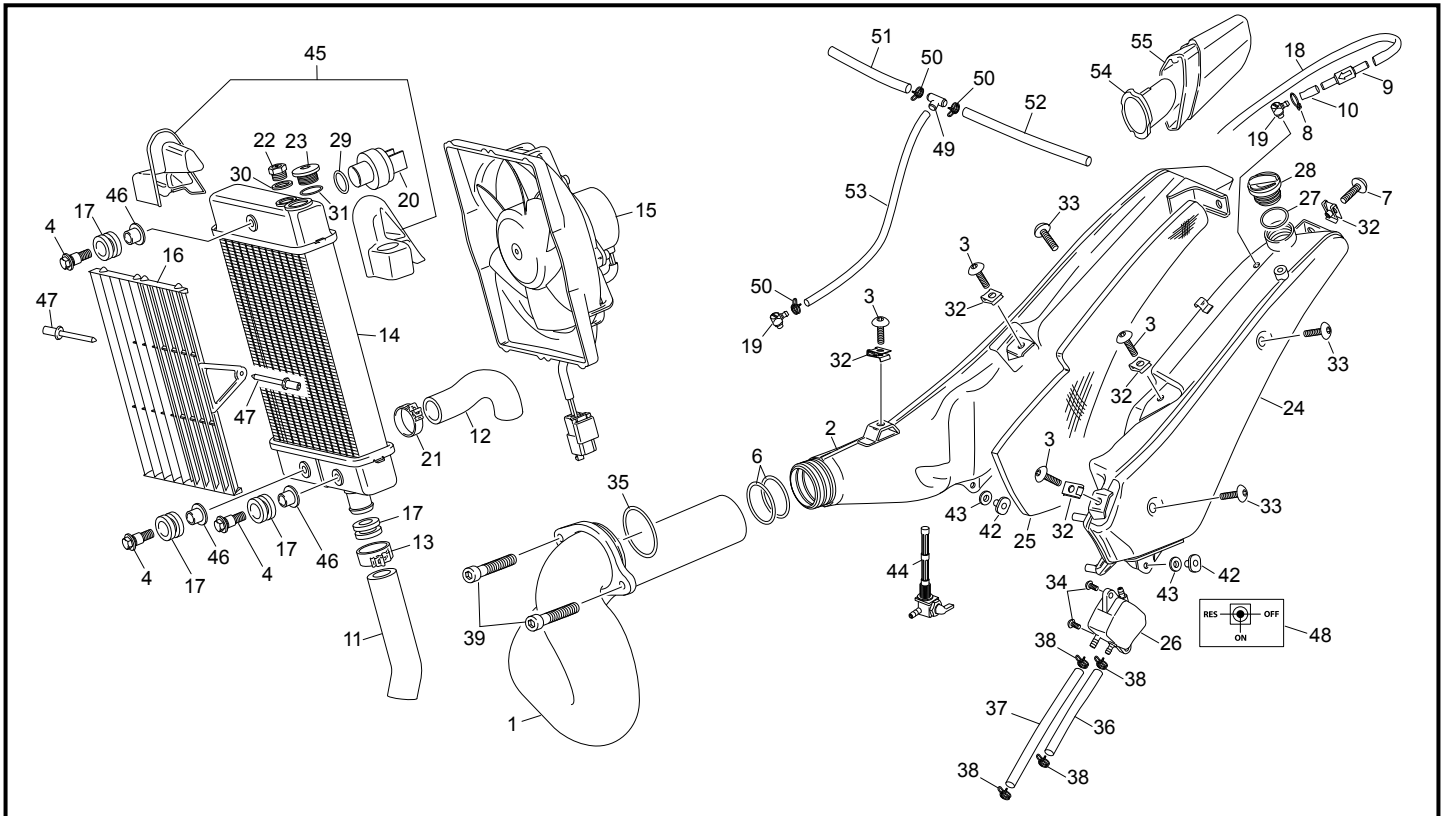
### Radiateur / Radiator / Radiador



POS.	2.5	2.9	3.0	FRANÇAIS	ENGLISH	ESPAÑOL
1	4911	4911	4911	TUBE ECHAPPEMENT 2011	EXHAUST PIPE 2011	CURVA DE ESCAPE 2011
2	4912	4912	4912	POT CENTRAL ALU 2T 2010	EXH CENTRAL ALU 2010	SILENCIOSO CENTRAL ALU 2010
3	M345	M345	M345	VIS BHC 6 X 20 CARROSSERIE	SCREW BHC 6 X 20 BODY	TORNILLO BHC 6 X 20 CARROCEÍA
4	M269	M269	M269	VIS 6X20 CARROSSERIE	SCREW 6X20 FRAME	TORNILLO 6X20 ESPECIAL CARROCEÍA
6	4913	4913	4913	JOINT TORIQUE POT CENTRAL 44 X 51 X 3,50	O-RING MIDDLE SILENCER 44 X 51 X 3,50	TÓRICA SILENCIADOR CENTRAL 44 X 51 X 3,50
7	M269	M269	M269	VIS BHC 6 X 20 CARROSSERIE	SCREW BHC 6 X 20 CARROSSERIE	TORNILLO 6 X 20 ESPECIAL CARROCEÍA
8	2846	2846	2846	COLLIER DURITE ESSENCE	COLLARD PETROL PIPE	ABRAZADERA TUBO GASOLINA
9	2365	2365	2365	GROUPE VALVE ANTI RETOUR ALU	ANTI RETURN VALVE GROUP ALU	GRUPO VÁLVULA ANTI RETORNO ALU
10	NEW	NEW	NEW	DURITE ESSENCE PETIT	SMALL PETROL HOSE	TUBO GASOLINA CORTO
11	3432	3432	3432	DURITE CARTER RADIATEUR TR 11	RUBBER TUBE CRANKSHAFT/RADIATOR TR 11	MANGUITO CARTER/RADIADOR TR 11
12	3140	3140	3140	DURITE CULASSE RADIATEUR 2010	RUBBER CILYNDER HEARD RADIATOR 2010	MANGUITO CULATA/RADIADOR 2010
13	C114	C114	C114	COLLIER DE DURITE NORMA VIOLET 19	COLLARD NORMA VIOLET 19	ABRAZADERA MANGUITO VIOLA 19
14	3127	3127	3127	RADIATEUR 2T 2011	RADIATOR 2S 2011	RADIADOR 2T 2011
15	1523	1523	1523	VENTILATEUR COMEX 120	FAN DIAM COMEX 120	VENTILADOR COMEX 120
16	3773	3773	3773	GRILLE RADIATEUR 06	RADIATOR PROTECTOR 06	REJILLA RADIADOR 06
17	4978	4978	4978	SILENT BLOC RADIATEUR	SILENT-BLOC RADIATOR	SILENT-BLOC RADIADOR
18	NEW	NEW	NEW	DURITE ESSENCE LARGE	LONG PETROL HOSE	TUBO GASOLINA LARGO
19	2274	2274	2274	RACORD MISE A L'AIR TR 2010	RACORD AIR INSIDE TR 2010	RACORD ENTRADA AIRE TR 2010
20	2256	2256	2256	THERMOCONTACT 2T 2010 75-68	THERMOSTAT 2T 2010 75-68	TERMOCONTACTO 2T 2010 75-68
21	C114	C114	C114	COLLIER DURITE NORMA VERT 21	COLLARD NORMA GREEN 21	ABRAZADERA MANGUITOS VERDE 21
22	4558	4558	4558	BOUCHON RADIATEUR TRIAL NOIR	RADIATOR TAP TRIAL BLACK	TAPÓN RADIADOR TRIAL NEGRO
23	2269	2269	2269	VALVE PRESSION RADIATEUR	PRESSION VALVE RADIATOR	VÁLVULA PRESIÓN RADIADOR
24	3609	3609	3609	RESERVOIR TRIAL ALU 11	PETROL TANK TRIAL ALU 11	DEPÓSITO TRIAL ALU 11
25	2363	2363	2363	PROTECTEUR TERMIQUE RESERVOIR TRIAL 2010	THERMIC PROTECTOR SIDE TANK TRIAL 2010	PROTECTOR TÉRMICO DEPÓSITO TRIAL 2010
26	2311	2311	2311	POMPE A ESSENCE TRIAL	PETROL PUMP TRIAL	BOMBA DE GASOLINA TRIAL
27	2320	2320	2320	JOINT BOUCHON ESSENCE TRIAL 2010	SEAL PETROL CAP TRIAL 2010	JUNTA TAPÓN GASOLINA TRIAL 2010
28	2270	2270	2270	BOUCHON ESSENCE 2010	PETROL CAP 2010	TAPÓN GASOLINA 2010
29	M651	M651	M651	JOINT 13.10 X 1.6 SORTIE EAU 4T TRIAL	WATER EXIT O SEAL 13.10 X 1.6 4T TRIAL	TÓRICA 13.105 X 1.6 TUBO SALIDA AGUA 4T TRIAL
30	2860	2860	2860	RONDELLE ALU 8X12X1	WASHER ALU 8X12X1	ARENDELA ALU 8X12X1
31	M168	M168	M168	TORIQUE 14 X18X2	O RING 14X18X2	TÓRICA 14X18X2
32	M308	M308	M308	ECROU CLIP M6 0500500400	NUT CLIP M6	TUERCA CLIP M6
33	2937	2937	2937	VIS BHC 5 X8 ISO 7380	SCREW BHC 5 X8	TORNILLO UL5 X 8 ISO 7380

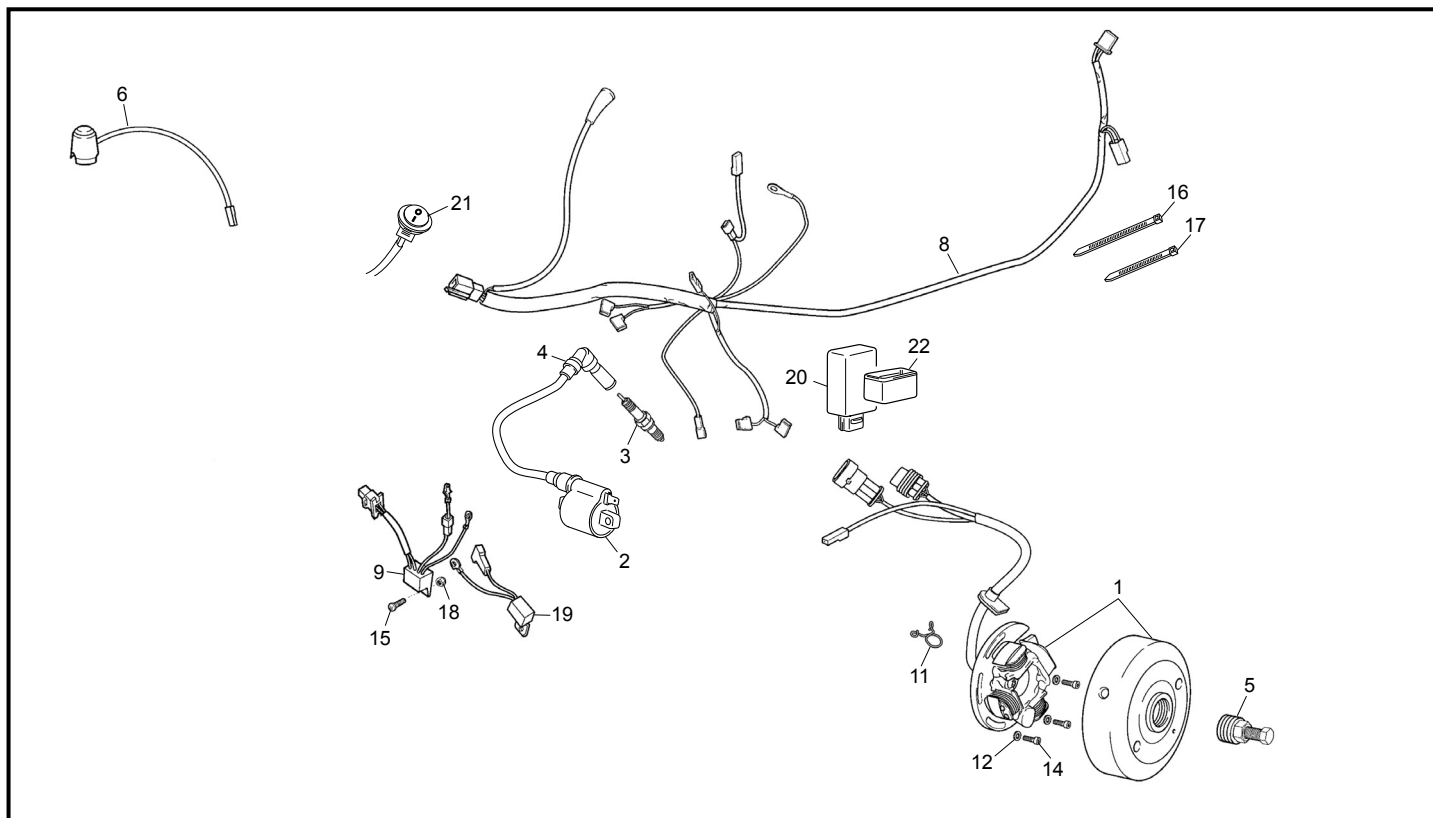


### Radiateur / Radiator / Radiador



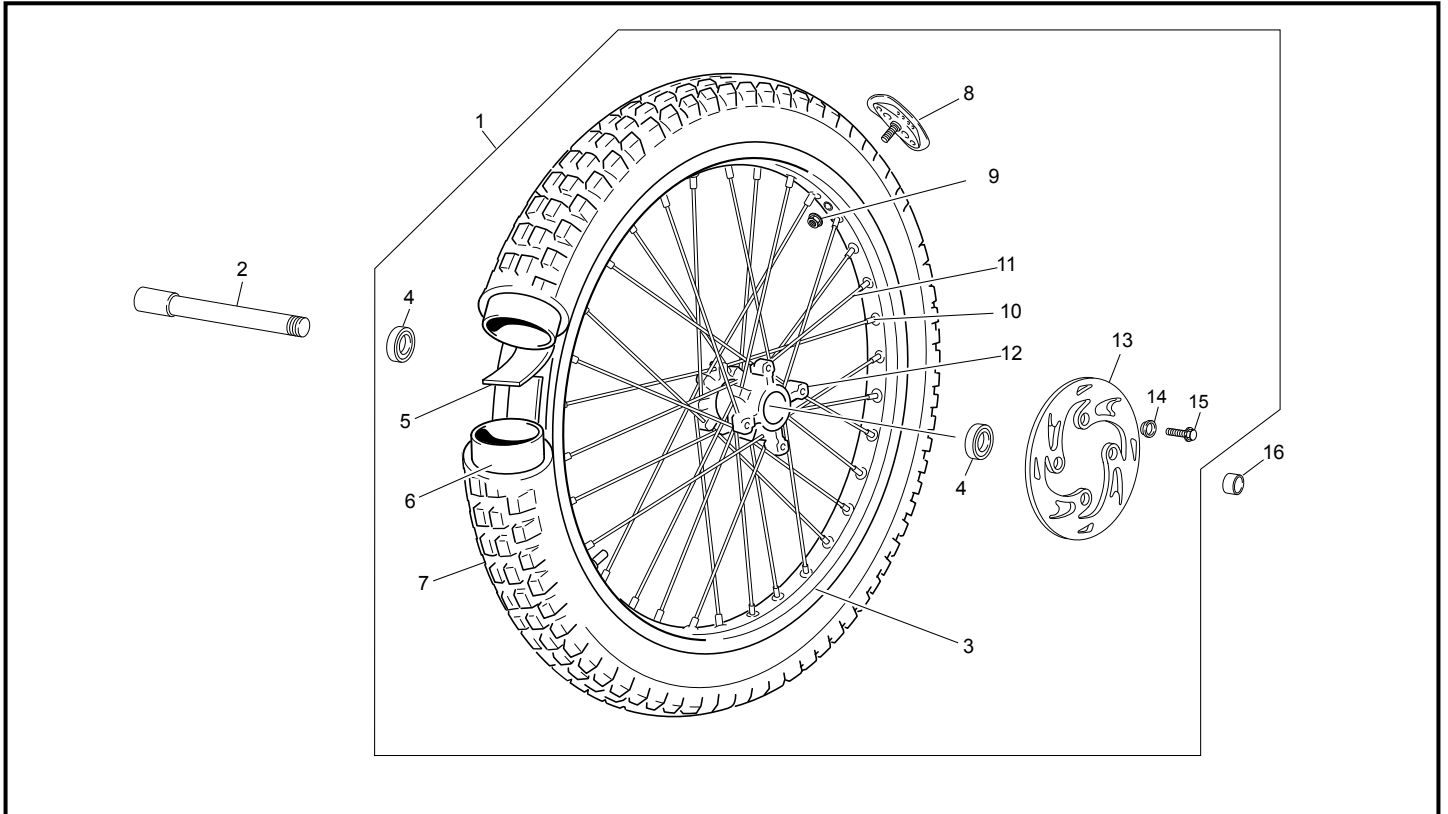
POS.	2.5	2.9	3.0	FRANÇAIS	ENGLISH	ESPAÑOL
34	M258	M258	M258	VIS BHC 5 X 16 1093	SCREW BHC 5 X 16	TORNILLO 5 X 16 ULS
35	C122	C122	C122	JOINT CUIVRE 38X44X2.5 0462	GASKET RING 38X44X2.5	JUNTA COBRE 38X44X2.5
36	NEW	NEW	NEW	DURITE ESSENCE PETIT	SMALL PETROL HOSE	TUBO GASOLINA CORTO
37	NEW	NEW	NEW	DURITE ESSENCE LARGE	LONG PETROL HOSE	TUBO GASOLINA LARGO
38	2846	2846	2846	COLLIER DURITE ESSENCE	COLLARD PETROL PIPE	ABRAZADERA TUBO GASOLINA
39	2937	2937	2937	VIS BHC 5 X8 ISO 7380	SCREW BHC 5 X8	TORNILLO ULS 5 X 8 ISO 7380
42	3193	3193	3193	ENTRETOISE SILENTBLOCK	BUSH SILENTBLOCK	CASQUILLO SILENTBLOCK
43	3194	3194	3194	CAUCHOU C SILENTBLOCK	SILENTBLOCK RUBBER	CAUCHO SILENTBLOCK
44	3638	3638	3638	ROBINET ESSENCE 2012	PETROL TAP 2012	GRIFO GASOLINA 2012
45	3716	3716	3716	PROTECTEUR HAUT RADIATEUR PAIRE	PROTECTOR TOP RADIATOR KIT	PROTECTOR ALTO RADIADOR JUEGO
46	3952	3952	3952	ENTRETOISE RADIATEUR	RADIATOR BRUSH	CASQUILLO RADIADOR
47	3772	3772	3772	RIVET 2.4X8	RIVET POP 2.4X8	REMACHE 2.4X8
48	3768	3768	3768	ADHESIF ON - OFF - RES	STICKER ON - OFF - RES	ADHESIVO ON - OFF - RES
49	4965	4965	4965	BY PASS Y	BY PASS Y	BY PASS Y
50	3340	3340	3340	COLLIER DURITE ESSENCE 7.3	COLLARD PETROL PIPE 7.3	ABRAZADERA TUBO GASOLINA 7.3
51	NEW	NEW	NEW	DURITE ESSENCE	PETROL HOSE	TUBO GASOLINA
52	NEW	NEW	NEW	DURITE ESSENCE	PETROL HOSE	TUBO GASOLINA
53	NEW	NEW	NEW	DURITE ESSENCE	PETROL HOSE	TUBO GASOLINA
54	5577	5577	5577	GOME INTERIEUR CONE SORTIE SILENCIEUX TR 14	INTERNAL RUBBER CONE EXHAUST SILENCER TR 14	GOMA INTERIOR CONO SALIDA SILENCIADOR TR 14
55	5127	5127	5127	CONE SORTIE SILENCIEUX TR 14	CONE EXHAUST SILENCER TR 14	CONO SALIDA SILENCIADOR TR 14

### Faisceau électrique / Electrical system / Instalación eléctrica



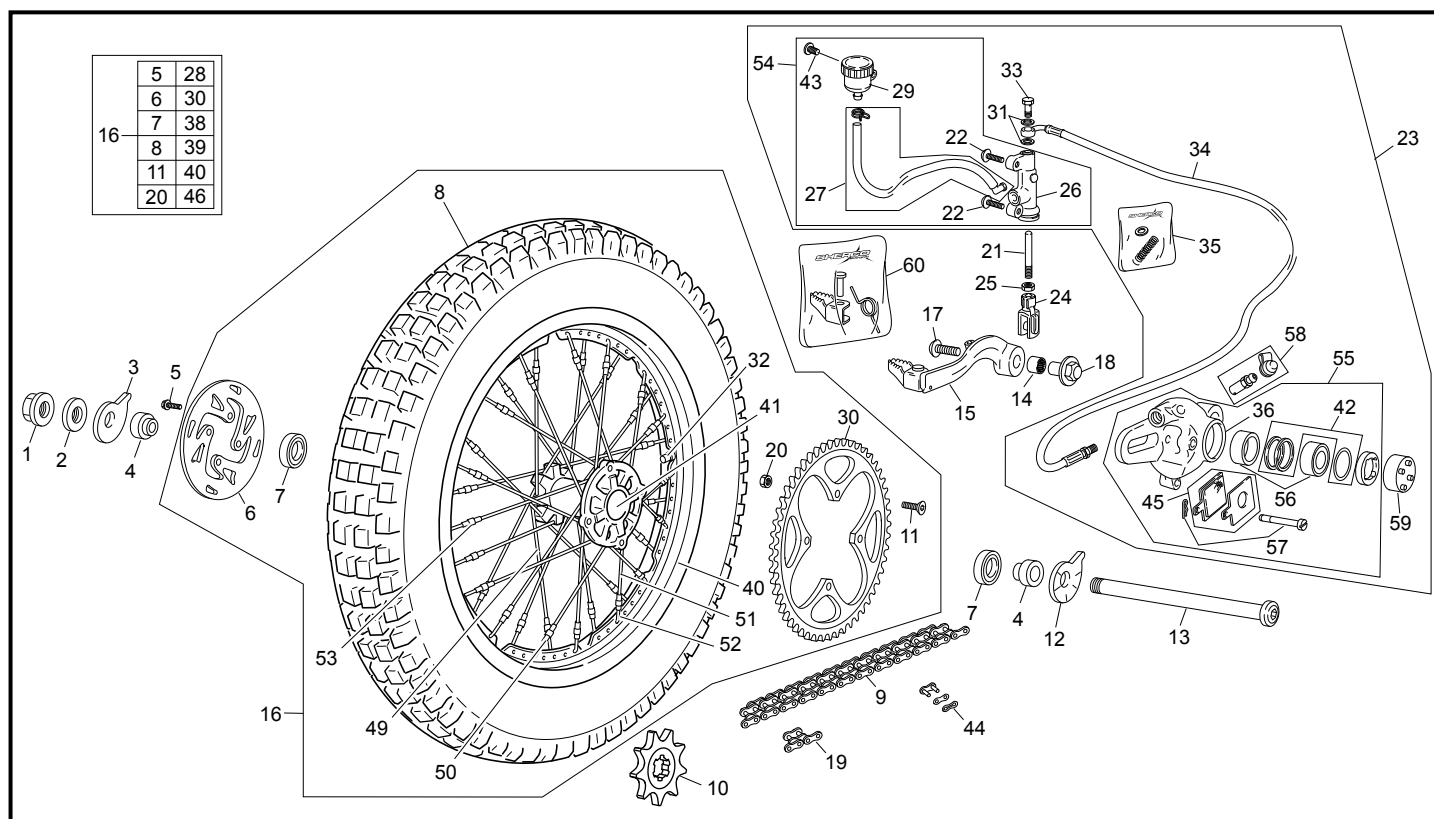
POS.	2.5	2.9	3.0	FRANÇAIS	ENGLISH	ESPAÑOL
1	3579	3579	3579	ALLUMAGE	IGNITION	ENCENDIDO
2	3581	3581	3581	BOBINE TRIAL	ELECTRONIC BOX	BOBINA AT
3	M183	M183	M183	BOUGIE COMP	SPARK PLUG	BUJÍA COMP
4	M184	M184	M184	ANTIPARASITE MTA RESISTIVE 5 OHMS	SPARK PLUG CAP MTA RESISTIF 5 OHMS	PIPA BUJÍA MTA RESISTIVA 5 OHMS
5	R075	R075	R075	OUTIL EXTRACTEUR ROTOR ALLUMAGE	PULLER FOR FLYWHEEL	EXTRACTOR ENCENDIDO
6	2972	2972	2972	BOUTON STOP MOTEUR TRIAL D28 L 70,5	STOP ENGINE TRIAL D28 L 70,5	STOP MOTOR TRIAL D28 L 70,5
8	2820	2820	2820	FAISCEAU ELECTRIQUE PRINCIPAL TRIAL 2010	ELECTRIC CABLE	CABLE ELÉCTRICO
9	1681	1681	1681	DIODE REDRESSEUSE VENTILATEUR COMEX	DIODE COMEX	RECTIFICADOR VENTILADOR COMEX
11	M273	M273	M273	CAVALIER	CAVALIER	BRIDA
12	M275	M275	M275	RONDELLE X5 0407 5	WASHER X5	ARANDELA 5 DIN 125 A
14	M283	M283	M283	VIS CHC 5X16 0084	SCREW CHC 5X16	TORNILLO 5X16 ALLEN
15	M306	M306	M306	ECROU NYLSTOP M6 0368.6	NUT NYLSTOP M6	TUERCA NYLSTOP M6
16	M330	M330	M330	COLLIER RISLAN 178X4.8	COLLIER 178X4.8	ABRAZADERA 178X4.8
17	M331	M331	M331	COLLIER RISLAN 100X2.5	COLLIER 100X2.5	ABRAZADERA 100X2.5
18	M274	M274	M274	RONDELLE GROSVER X 6 DIN 6798J 0428	WASHER GROSVER X 6 DIN 6798J 0428	ARANDELA GROSVER X 6 DIN 6798J 0428
19	M182	M182	M182	REGULATEUR LEONELLI	REGULATOR	REGULADOR
20	3580	3580	3580	CDI MOTEUR TRIAL DOUBLE COURBE	CDI BOX ENGINE TRIAL DOUBLE CURBA	CDI DIGITAL REPROGR. TRIAL DOBLE CURVA
21	5013	5013	5013	MICROINTERRUPTEUR MAP	MICROINTERRUPTOR MAP	MICROINTERRUPUTOR MAP
22	3586	3586	3586	CAUTCHOUC SUPPORT CDI HI TRIAL	RUBBER CDI HI TRIAL	GOMA CDI HI TRIAL

### Roue avant / Front wheel / Rueda delantera



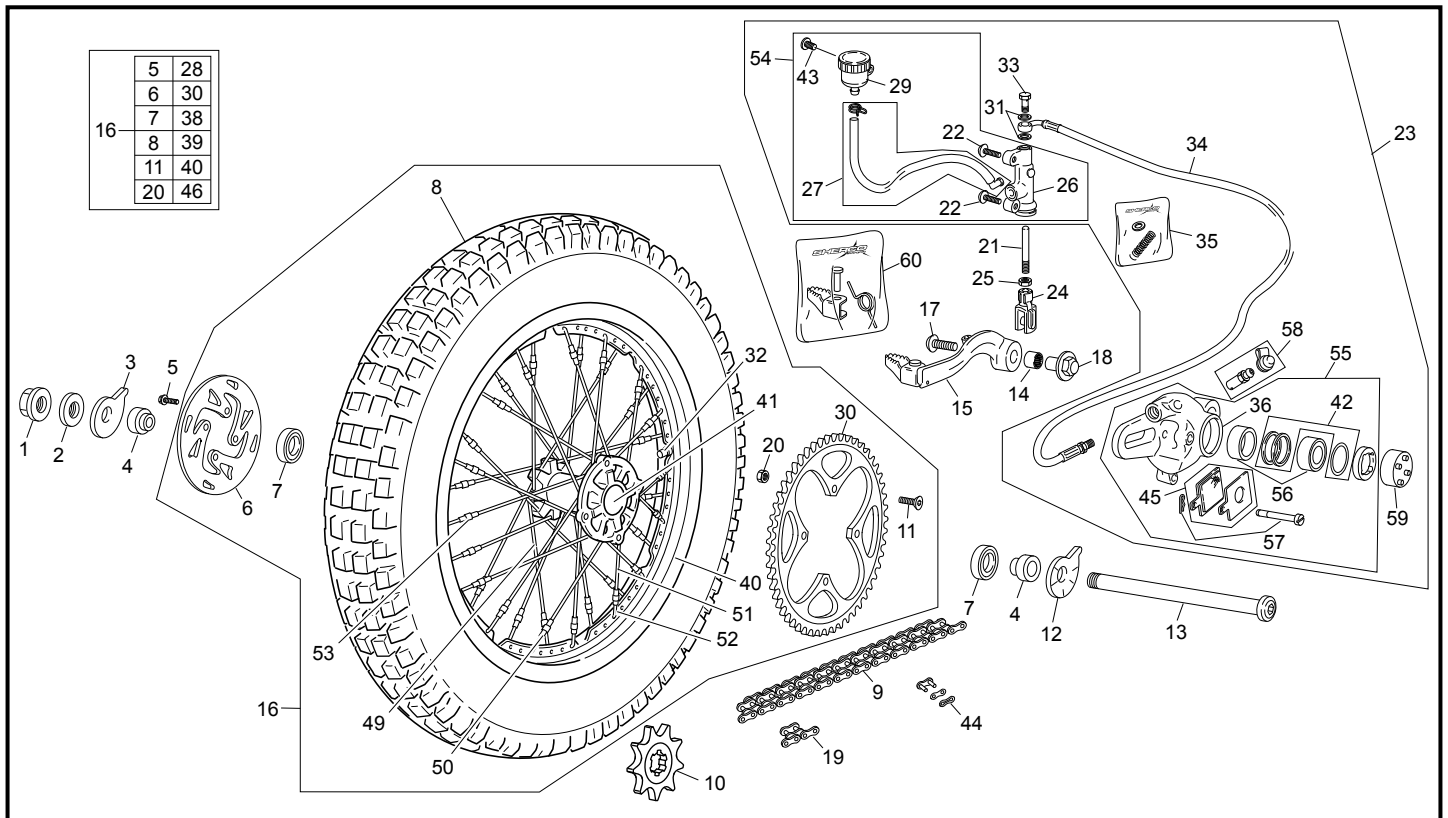
POS.	2.5	2.9	3.0	FRANÇAIS	ENGLISH	ESPAÑOL
1	4550	4550	4550	ROUE AVANT TR. TITANIUM SHERCO	FRONT WHEEL TR TITANIUM SHERCO	RUEDA DELANTERA TR TITANIO SHERCO
2	4602	4602	4602	AXE DE ROUE AVANT TS NOIR	FRONT WHEEL AXLE TS BLACK	EJE RUEDA DELANTERA TS NEGRO
3	4644	4644	4644	JANTE AVANT 1.60X21 32 RAYONS TITANIUM	FRONT RIM 1.60X21 32 R TITANIUM	LLANTA DELANTERA 1.60X21 32 RÁDIOS TITANIO
4	R049	R049	R049	ROULEMENT DE MOYEU 6004 2RS	BEARING HUB 6004 2RS	RODAMIENTO BUJE 6004 2RS
5	C201	C201	C201	RUBAN FOND DE JANTE R14025	RIM RUBBER PROTECTION	GOMA PROTECCIÓN LLANTA
6	C202	C202	C202	CHAMBRE A AIR 21AB	21 TUBE	CÁMARA 21
7	C204	C204	C204	PNEU AVANT 275X21	FRONT TIRE 2.75 X 21	NEUMÁTICO DELANTERO 2.75 X 21
8	C203	C203	C203	GRISTER	TYRE STAY	AGARRACUBIERTAS
9	M305	M305	M305	ECROU NYLSTOP M8 0368.8	NUT NYLSTOP M8	TUERCA NYLSTOP M8
10	3398	3398	3398	ECROU DE RAYON AVANT M3.5X0.60	FRONT NEEPLE SPOCKE M3.5X0.60	TUERCA RÁDIO DELANTERO M3.5X0.60
11	3397	3397	3397	RAYON 257 X 3 NEW NOIR	SPOCKE 257 X 3 NEW BLACK	RÁDIO 257 X 3 NUEVO NEGRO
12	4552	4552	4552	MOYEU AVANT JAUNE	FRONT HUB YELLOW	BUJE DELANTERO AMARILLO
13	2001	2001	2001	DISQUE FREIN AVANT 2009 TR	FRONT DISC 2009 TR	DISCO DELANTERO 2009 TR
14	C209	C209	C209	ENTRETOISE DISQUE AVANT	SPACER DISC	CASQUILLO FLOTANTE DISCO
15	C452	C452	C452	VIS HEXAGONAL EPAULE M6 X 18	SCREW EXAGONAL M6 X 18	TORNILLO EXAGONAL M6 X 18
16	C333	C333	C333	ENTRETOISE ROUE AVANT 2002	FRONT BRUSH 2002	SEPARADOR RUEDA DEL 2002

### Roue arriere / Rear wheel / Rueda trasera



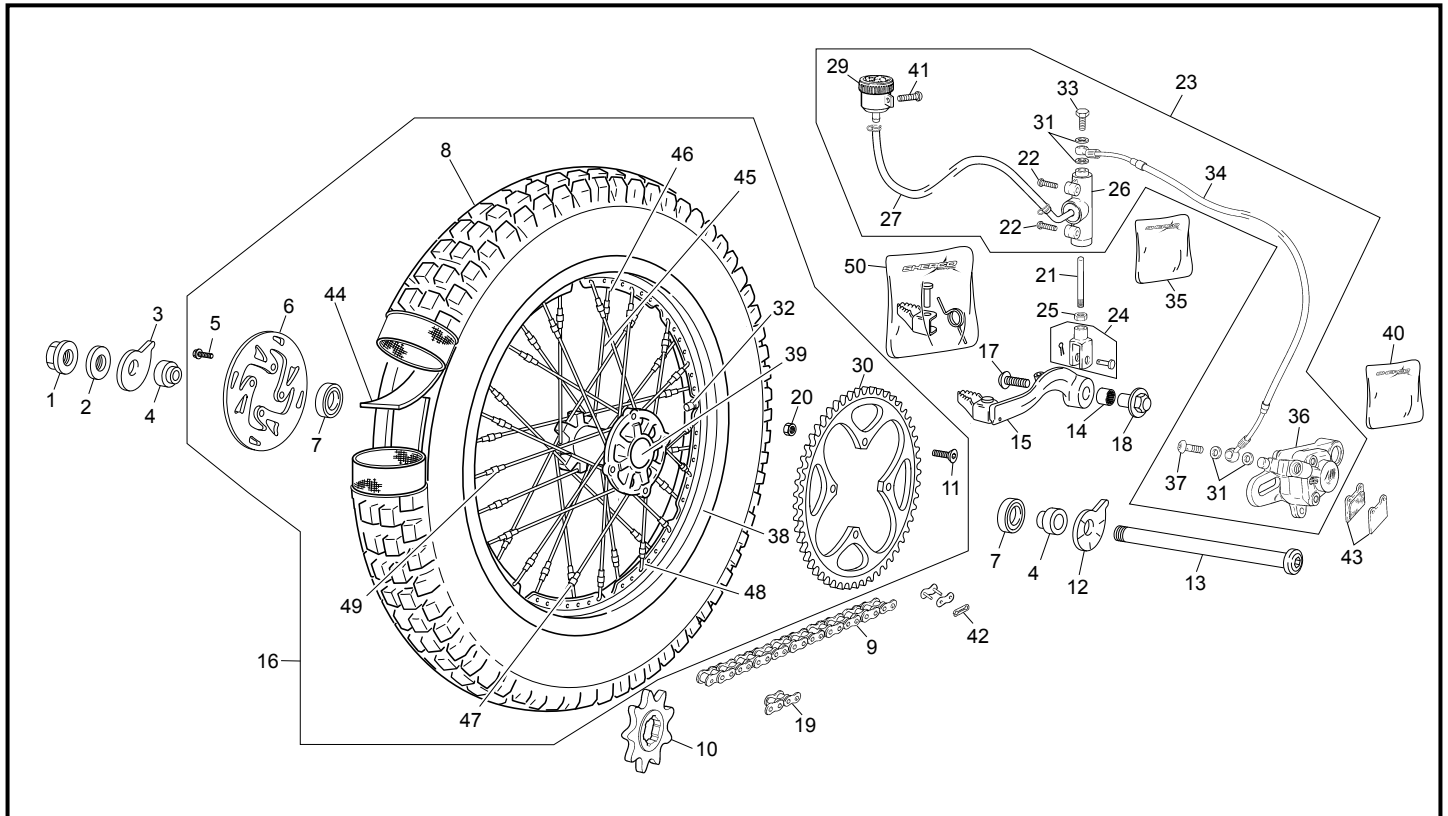
POS.	2.5	2.9	3.0	FRANÇAIS	ENGLISH	ESPAÑOL
1	C253	C253	C253	ECROU ROUE ARRIERE	REAR AXLE NUT	TUERCA EJE RUEDA TRASERA
2	M314	M314	M314	RONDELLE X 17 1405 016	WASHER X 17	ARANDELA X 17
3	4595	4595	4595	EXCENTRIQUE DROIT NOIRE TENDEUR CHAINE	RUNNER CHAIN BLACK	EXCÉNTRICA DERECHA NEGRA
4	3951	3951	3951	ENTRETOISE ROUE ARRIERE FMLA	REAR BRUSH FMLA	SEPARADOR RUEDA TRASERA FMLA
4	C255	C255	C255	ENTRETOISE ROUE ARRIERE	REAR BRUSH	SEPARADOR RUEDA TRASERA
5	M249	M249	M249	VIS CHC TETE BASSE 6 X 20 SS TROU GUIDAGE	SCREW CHC 6 X 20	TORNILLO M 6 X 20 CABEZA REBAJADA
6	2002	2002	2002	DISQUE FREIN ARRIERE TR 2009	REAR DISC 2009 TR	DISCO FRENO TRASERO 2009 TR
7	R049	R049	R049	ROULEMENT DE MOYEU 6004 2RS	BEARING HUB 6004 2RS	RODAMIENTO BUJE 6004 2RS
8	C251	C251	C251	PNEU ARRIERE 400X18	REAR TYRE 400 X 18	NEUMÁTICO 400 X 18 TUBELESS
9	C265	C265	C265	CHAINE 107	CHAIN 107	CADENA 107PASOS
10	C267	C267	C267	PIGNON 9 D	SPROCKET 9 T	PIÑÓN 9 D
11	M287	M287	M287	VIS BHC 8 X 22	SCREW BHC 8 X 22	TORNILLO BHC 8 X 22
12	4596	4596	4596	EXCENTRIQUE GAUCHE NOIRE TENDEUR CHAINE	LEFT REAR AXLE EXCENTRIC BLACK	EXCÉNTRICA IZQUIERDA NEGRA
13	4594	4594	4594	AXE ROUE ARRIERE NOIR	AXELE BACK WHEEL BLACK	EJE RUEDA TRAS NEGRO
14	2299	2299	2299	DOUILLE BRONZE PEDALE FREIN TR	BEARING	CASQUILLO BRONCE PEDAL FRENO TR
15	4560	4560	4560	PEDALE DE FREIN NOIR	REAR BRAKE PEDAL BLACK	PEDAL FRENO TRASERO NEGRO
16	4551	4551	4551	ROUE ARRIERE 0.8 TR TITANIUM SHERCO	BACK WHEEL 0.8 TR TITANIUM SHERCO	RUEDA TRAS 0.8 TR TITANIO SHERCO
17	M280	M280	M280	VIS BHC 8 X 35 NOIR	SCREW BHC 8X35 BLACK	TORNILLO M8 X 35 ULS NEGRO
18	5076	5076	5076	ENTRETOISE PEDALE DE FREIN	SPACER BRAKE PEDAL	CASQUILLO PEDAL DE FRENO
19	C304	C304	C304	1/2 MAILLON DE CHAINE	HALF COMPLING CONNECTION	MEDIA MALLA DE CADENA
20	M305	M305	M305	ECROU NYLSTOP M8 0368.8	NUT NYLSTOP M8	TUERCA NYLSTOP M8
21	4661	4661	4661	BOCAL LIQUIDE FREIN FORMULA	OIL TANK BRAKE FORMULA	DEPÓSITO LÍQUIDO FRENO FORMULA
22	M284	M284	M284	VIS BHC 6 X 25 1093 NOIRE	SCREW BHC 6 X 25 NEGRO	TORNILLO 6 X 25 ULS BLACK
23	4052	4052	4052	GROUPE FREIN ARRIERE FORMULA	REAR BRAKE COMPLETE FORMULA	CTO FRENO TRASERO FORMULA
24	C259	C259	C259	CHAPE PEDALE FREIN 0267	REAR BRAKE ROD	HORQUILLA PEDAL DE FRENO
25	M309	M309	M309	ECROU STANDARD M6 0317	NUT M6	TUERCA M6
26	4659	4659	4659	POMPE FREIN AR CORPS FORMULA	BODY REAR MASTER CYLINDER FORMULA	CUERPO BOMBA FRENO TRASERO FORMULA
27	4660	4660	4660	KIT TUBE LIQUIDE FREIN BOCAL/POMPE L 210	KIT OIL TANK TUBE L 210	KIT TUBO LÍQUIDO FRENO L 210
29	4661	4661	4661	BOCAL LIQUIDE FREIN FORMULA	OIL TANK BRAKE FORMULA	DEPÓSITO LÍQUIDO FRENO FORMULA
30	4333	4333	4333	COURRONE 56D 4 TROUS	REAR SPROCKET 56 D 4 HOLE	CORONA 56 D 4 AGUJEROS
31	R074	R074	R074	RONDELLE BANJO CUIVRE 10x14x1.5	WASHER COPPER 10x14x1.5	ARANDELLA BANJO COBRE 10x14x1.5
32	3631	3631	3631	VALVE AR JANTE NER	TUBLESS VALVE RIM NER	VÁLVULA LLANTA NERVIÓ
33	R059	R059	R059	VIS RACCORD M10 X 21 HEXA	LINK SCREW M10 X 21 HEXA	TORNILLO RACORD M10 X 21HEXA
34	3777/1	3777/1	3777/1	CABLE DE FREIN ARRIERE	REAR BRAKE CABLE	CABLE FRENO TRASERO

### Roue arriere / Rear wheel / Rueda trasera



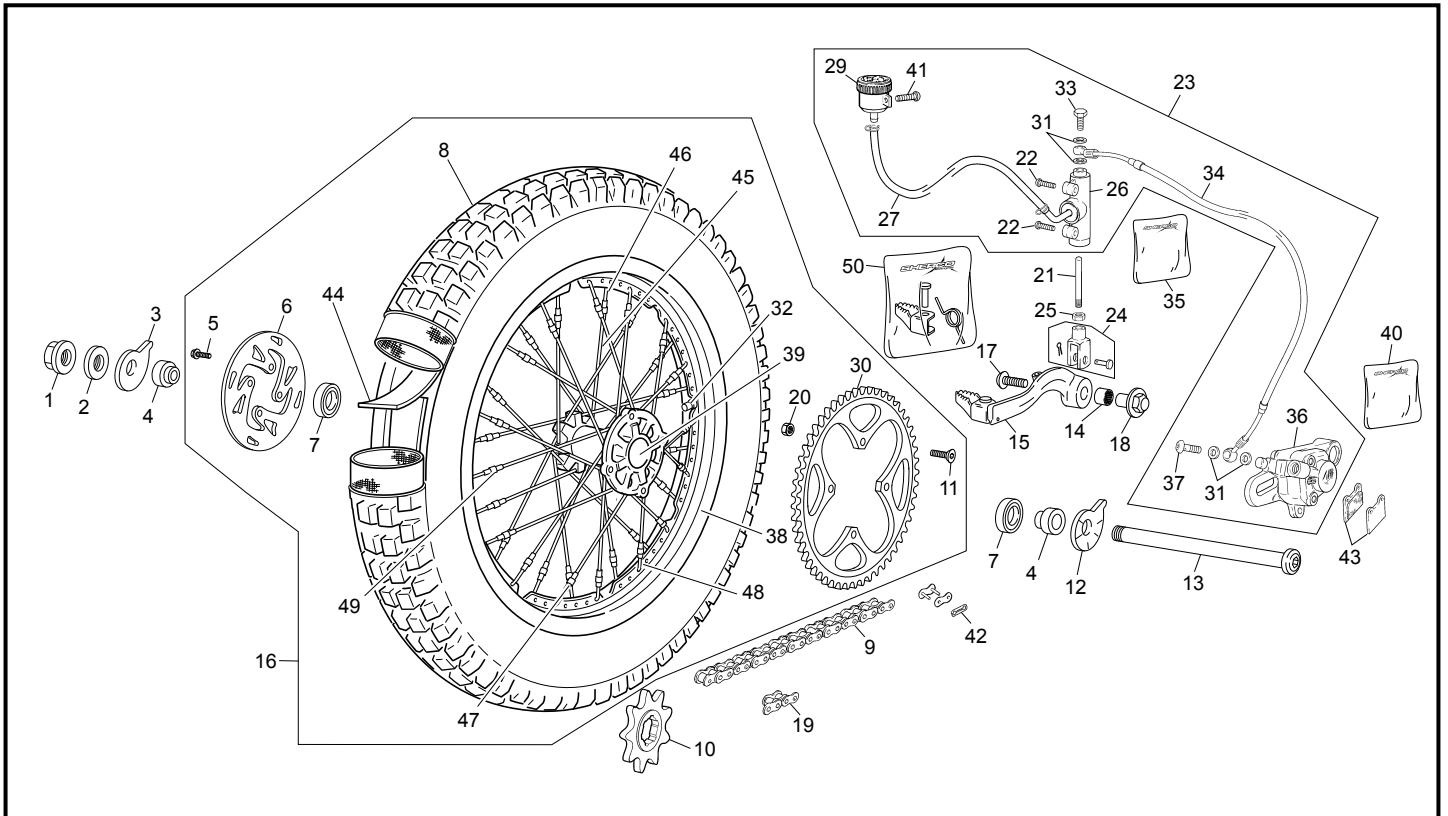
POS.	2.5	2.9	3.0	FRANÇAIS	ENGLISH	ESPAÑOL
35	4662	4662	4662	PISTON POMPE FREIN ARRIERE DIAM 9.5 FORMULA	PISTON REAR BRAKE POMP 9.5 FORMULA	PISTÓN BOMBA FRENO TRA. TRIAL DIAM 9.5 FORMULA
36	4680	4680	4680	ETRIER FREIN ARRIERE FORMULA	REAR CALIPER FORMULA	PINZA FRENO TRASERO FORMULA
40	4645	4645	4645	JANTE ARRIERE TITANE NERVURE 32 RAYONS	REAR RIM TITANIUM NERVE 32 R	LLANTA TRASERA TITANIO NERVADA 32 R
41	4553	4553	4553	MOYEU ARRIERE JAUNE	REAR HUB YELLOW	BUJE TRASERO AMARILLO
42	4248	4248	4248	KIT OR ETRIER ARRIERE FORMULA	KIT OR CALIPER BACK FORMULA	KIT TÓRICAS PINZA FRENO TR FORMULA
43	M282	M282	M282	VIS BHC 6 X 10 1093	SCREW BHC 6 X 10	TORNILLO 6 X 10 BHC
44	RO34	RO34	RO34	ATTACHE RAPIDE DE CHAINE	CONNECTING LINK	ENGANCHE CADENA
45	C390	C390	C390	PLAQUETTES FREIN ARRIERE PAIRE 2002	REAR PAD BRAKE PAIR 2002	JUEGO PASTILLAS TRASERO 2002
49	3391	3391	3391	RAYON DEMIE 165X3.5 NOIR COTE DISQUE	HALF SPOCKE 165X3.5 BLACK SIDE BRAKE	RÁDIO SEMI 165X3.5 NEGRO LADO DISCO
50	3392	3392	3392	RAYON L MINI 34.5X3.5 COTE DISQUE NOIR	MINI SPOCKE L 34.5X3.5 SIDE BRAKE BLACK	RÁDIO L MINI 34.5X3.5 LADO DISCO NEGRO
51	3393	3393	3393	RAYON DEMIE 175X3.5 COTE COURONE NOIR	HALF SPOCKE 175X3.5 SIDE TRANS BLACK	RÁDIO SEMI 175X3.5 LADO CORONA NEGRO
52	3394	3394	3394	RAYON L MINI 35.5X3.5 COTE COURONE NOIR	SPOCKE L MINI 35.5X3.5 SIDE TRANS BLACK	RÁDIO L MINI 35.5X3.5 LADO CORONA NEGRO
53	3395	3395	3395	TENDEUR RAYON AR	REAR NIPPLE SPOKE	TENSOR RÁDIO TRASERO
54	4658	4658	4658	POMPE FREIN AR 9.5 FORMULA	REAR MASTER CYLINDER 9.5 FORMULA	BOMBA FRENO TRASERO 9.5 FORMULA
55	4247	4247	4247	ETRIER FREIN ARRIERE NU FORMULA	ONLY REAR CALIPER FORMULA	PINZA FRENO TRASERO SOLA FORMULA
56	4305	4305	4305	KIT PISTONS ETRIER ARRIERE FORMULA	KIT PISTONS CALIPER BACK FORMULA	KIT PISTONES PINZA FRENO TRA. FORMULA
57	4681	4681	4681	KIT FIXAGE PLAQUETTES ARRIERE FORMULA 13	REAR PADS FIXING SCREW KIT FORMULA 13	KIT FIJACIÓN PASTILLAS TRASERAS FORMULA 13
58	4666	4666	4666	KIT PURGE FORMULA 13	BLEENDING SCREW KIT FORMULA 13	KIT PURGA FORMULA 13
59	4354	4354	4354	OUTIL BOUCHON FORMULA	TOOL FORMULA CAP	UTIL TAPÓN FORMULA
60	5326	5326	5326	KIT REPARATION PEDALE DE FREIN	KIT REPARATION REAR BRAKE LEVER	KIT REPARACION PEDAL FRENO TRASERO

## Roue arrière avec système Braktec / Rear wheel with Braktec system/ Rueda trasera con sistema Braktec



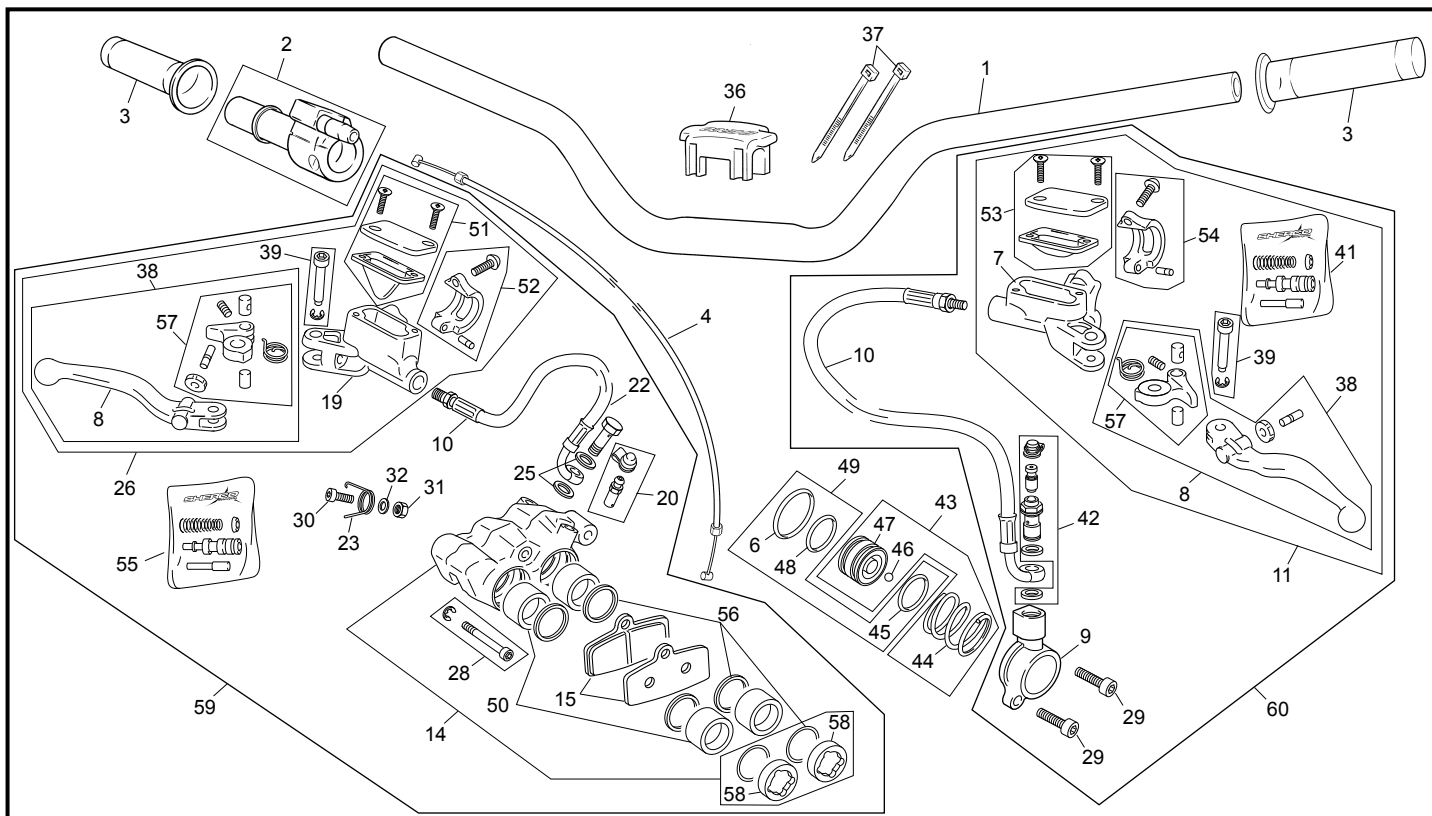
POS.	2.5	2.9	3.0	FRANÇAIS	ENGLISH	ESPAÑOL
1	C253	C253	C253	ECROU ROUE ARRIERE	REAR AXLE NUT	TUERCA EJE RUEDA TRASERA
2	M314	M314	M314	RONDELLE X 17 1405 016	WASHER X 17	ARANDELA X 17
3	4595	4595	4595	EXCENTRIQUE DROIT NOIRE TENDEUR CHAINE	RUNNER CHAIN BLACK	EXCÉNTRICA DERECHA NEGRA
4	3951	3951	3951	ENTRETOISE ROUE ARRIERE FMLA	REAR BRUSH FMLA	SEPARADOR RUEDA TRASERA FMLA
4	C255	C255	C255	ENTRETOISE ROUE ARRIERE	REAR BRUSH	SEPARADOR RUEDA TRASERA
5	M249	M249	M249	VIS CHC TETE BASSE 6 X 20 SS TROU GUIDAGE	SCREW CHC 6 X 20	TORNILLO M 6 X 20 CABEZA REBAJADA
6	2002	2002	2002	DISQUE FREIN ARRIERE TR 2009	REAR DISC 2009 TR	DISCO FRENO TRASERO 2009 TR
7	R049	R049	R049	ROULEMENT DE MOYEU 6004 2RS	BEARING HUB 6004 2RS	RODAMIENTO BUJE 6004 2RS
8	C251	C251	C251	PNEU ARRIERE 400X18	REAR TYRE 400 X 18	NEUMÁTICO 400 X 18 TUBELESS
9	C265	C265	C265	CHAINE 100M	CHAIN 100Z	CADENA 100 PASOS
10	C267	C267	C267	PIGNON 10 D	SPOCKET 10T	PIÑÓN SALIDA 10 Z
11	M287	M287	M287	VIS BHC 8 X 22	SCREW BHC 8 X 22	TORNILLO BHC 8 X 22
12	4596	4596	4596	EXCENTRIQUE GAUCHE NOIRE TENDEUR CHAINE	LEFT REAR AXLE EXCENTRIC BLACK	EXCÉNTRICA IZQUIERDA NEGRA
13	4594	4594	4594	AXE ROUE ARRIERE NOIR	AXELE BACK WHEEL BLACK	EJE RUEDA TRAS. NEGRO
14	2299	2299	2299	DOUILLE BRONZE PEDALE FREIN TR	BEARING	CASQUILLO BRONCE PEDAL FRENO TR
15	4560	4560	4560	PEDALE DE FREIN NOIR	REAR BRAKE PEDAL BLACK	PEDAL FRENO TRASERO NEGRO
16	4589	4589	4589	ROUE ARRIERE 2.5/2.9 TR TITANIUM SHERCO	BACK WHEEL 2.5/2.9 TR TITANIUM SHERCO	RUEDA TRAS 2.5/2.9 TR TITANIO SHERCO
17	M280	M280	M280	VIS BHC 8 X 16 1093	SCREW BHC 8 X 16	TORNILLO 8 X 16 ULS
18	5076	5076	5076	ENTRETOISE PEDALE DE FREIN INTEGRALE	SPACER BRAKE PEDAL INTEGRAL	CASQUILLO PEDAL DE FRENO INTEGRAL
19	C304	C304	C304	1/2 MAILLON DE CHAINE	HALF COMPLING CONNECTION	MEDIA MALLA DE CADENA
20	M305	M305	M305	ECROU NYLSTOP M8 0368.8	NUT NYLSTOP M8	TUERCA NYLSTOP M8
21	C261	C261	C261	TIGE FREIN ARRIERE	PIN BRAKE ROD	TIJA PEDAL FRENO TRASERO
22	M284	M284	M284	VIS BHC 6 X 25 A2i NOIRE	SCREW BHC 6 X 25 NEGRO	TONILLO 6 X 25 ULIS BLACK
23	C321	C321	C321	GROUPE FREIN ARRIERE	REAR BRAKE COMPLETE	CTO. FRENO TRASERO
24	C259	C259	C259	CHAPE PEDALE FREIN 0267	REAR BRAKE ROD	HORQUILLA PEDAL DE FRENO
25	M309	M309	M309	ECROU STANDARD M6 0317	NUT M6	TUERCA M6
26	C385	C385	C385	POMPE FREIN AR 9.5	REAR MASTER CYLINDER 9.5	BOMBA FRENO TRASERO 9.5
27	R069	R069	R069	TUBE LIQUIDE FREIN BOCAL/POMPE L 210	OIL TANK TUBE L 210	TUBO LÍQUIDO FRENO L 210
29	R066	R066	R066	BOCAL LIQUIDE FREIN	OIL TANK BRAKE	DEPÓSITO LÍQUIDO FRENO
30	5406	5406	5406	COURRONE 48D 4 TROUS LEGERE	REAR SPROCKET 48D 4 HOLES LIGTH	CORONA 48D 4 TALADROS LIGERA
31	R074	R074	R074	RONDELLE BANJO CUIVRE 10x14x1.5	WASHER COPPER 10x14x1.5	ARANDELLA BANJO COBRE 10x14x1.5
32	3631	3631	3631	VALVE AR JANTE NER	TUBLESS VALVE RIM NER	VÁLVULA LLANTA NERVIÓ
33	R058	R058	R058	CAPUCHON VIS DE PURGE	HOOD SCREW PURGE	TAPÓN SANGRADOR
34	C388	C388	C388	DURITE FREIN ARRIERE 2002	REAR BRAK HOSE 2002	LÁTIGUILLO FRENO TRASERO 2002
35	R233	R233	R233	KIT REPARATION POMPE FREIN AR 2002	REAR MASTER CYLINDER SEAL KIT 2022	KIT REPARACIÓN PINZA FRENO TR 2002

### Roue arrière avec système Braktec / Rear wheel with Braktec system/ Rueda trasera con sistema Braktec



POS.	2.5	2.9	3.0	FRANÇAIS	ENGLISH	ESPAÑOL
36	C386	C386	C386	ETRIER FREIN ARRIERE 2002	REAR CALIPER 2002	PINZA FRENO TRASERO 2002
37	R059	R059	R059	VIS RACCORD M10 X 21 HEXA	LINK SCREW M10 X 21 HEXA	TORNILLO RACORD M10 X 21 HEXA
38	4645	4645	4645	JANTE ARRIERE TITANE NERVURE 32 RAYONS	REAR RIM TITANIUM NERVE 32 R	LLANTA TRASERA TITANIO NERVADA 32 R
39	C323	C323	C323	MOYEU ARRIERE 2002	REAR HUB 2002	BUJE TRASERO 2002
40	R235	R235	R235	KIT ETRIER ARRIERE 2002	KIT CALIPER BACK 2002	KIT PINZA FRENO TR 2002
41	M282	M282	M282	VIS BHC 6 X 10 1093	SCREW BHC 6 X 10	TORNILLO 6 X 10 BHC
42	R034	R034	R034	ATTACHE RAPIDE DE CHAINE	CONNECTING LINK	ENGANCHE CADENA
43	C390	C390	C390	PLAQUETTES FREIN ARRIERE PAIRE 2002	REAR PAD BRAKE PAIR 2002	JUEGO PASTILLAS TRASERO 2002
44	1947	1947	1947	FLAP CPL	STRIP CPL	FLAP CPL
45	3391	3391	3391	RAYON DEMIE 165X3.5 NOIR COTE DISQUE	HALF SPOCKE 165X3.5 BLACK SIDE BRAKE	RADIO SEMI 165X3.5 NEGRO LADO DISCO
46	3392	3392	3392	RAYON L MINI 34.5X3.5 COTE DISQUE NOIR	MINI SPOCKE L 34.5X3.5 SIDE BRAKE BLACK	RADIO L MINI 34.5X3.5 LADO DISCO NEGRO
47	3393	3393	3393	RAYON DEMIE 175X3.5 COTE COURONE NOIR	HALF SPOCKE 175X3.5 SIDE TRANS BLACK	RADIO SEMI 175X3.5 LADO CORONA NEGRO
48	3394	3394	3394	RAYON L MINI 35.5X3.5 COTE COURONE NOIR	SPOCKE L MINI 35.5X3.5 SIDE TRANS BLACK	RADIO L MINI 35.5X3.5 LADO CORONA NEGRO
49	3395	3395	3395	TENDEUR RAYON AR	REAR NIPPLE SPOKE	TENSOR RADIO TRASERO
50	5326	5326	5326	KIT REPARATION PEDALE DE FREIN	KIT REPARATION REAR BRAKE LEVER	KIT REPARACION PEDAL FRENO TRASERO

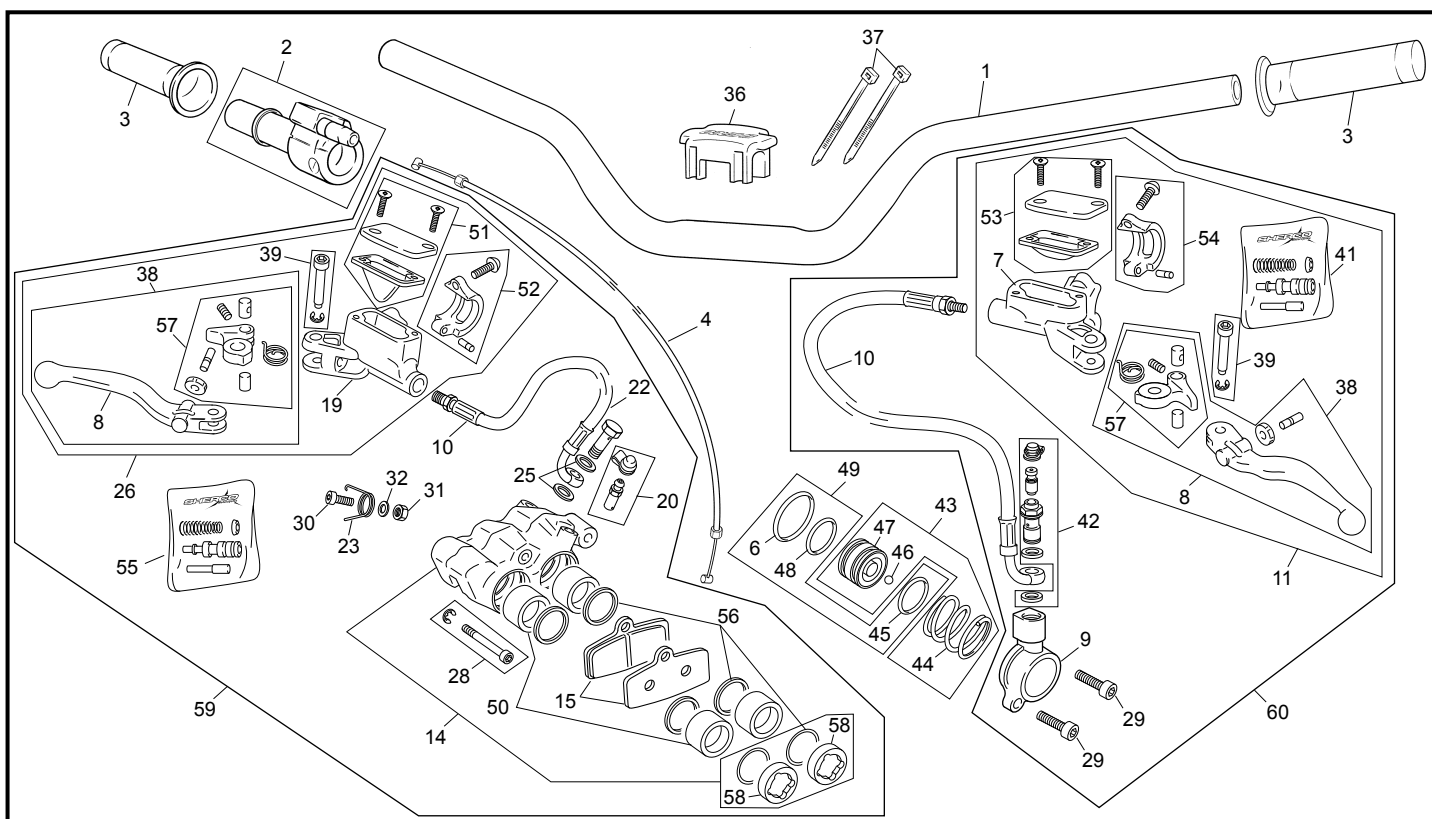
### Guidon / Handlebar / Manillar



POS.	2.5	2.9	3.0	FRANÇAIS	ENGLISH	ESPAÑOL
1	3676	3676	3676	GUIDON TRIAL 2012	HANDLEBAR TRIAL 2112	MANILLAR TRIAL 2012
2	C074	C074	C074	COMMANDE DE GAZ	THROTTLE CONTROL	MANDO DE GAS
3	1662	1662	1662	POIGNEE CAOUTCHOUX PAIRE REA	GRIPS SET REA	JUEGO EMPUNADURAS REA
4	1362	1362	1362	CABLE DE GAZ KEIHIN	THROTTLE CABLE KEIHIN	CABLE DE GAS KEIHIN
6	R024	R024	R024	TORIQUE 35 X 31 X 2 EMB/CARTER	O-RING 31 X 2 (CLUTCH)	TÓRICA 31 X 2 EMBRA/CARTER
7	4654	4654	4654	KIT POMPE EMB 9.5 MM FORMULA 13	CLUTCH MASTER CYLINDER 9.5 MM KIT FORMULA 13	KIT BOMBA EMBRAGUE 9.5 MM FORMULA 13
8	4650	4650	4650	LEVIER FREIN / EMBRAYAGE SEUL FORMULA 13	BRAKE / CLUTCH LEVER ALONE FORMULA 13	MANETA FRENO / EMBRAGUE SOLA FORMULA 13
9	4048	4048	4048	CYLINDRE RECEPTEUR D EMBRAYAGE TRIAL	SLAVE CYLINDER 250 TRIAL	BOMBIN EMBRAGE TRIAL
10	4253	4253	4253	DURITE FREIN EMBRAYAGE FORMULA	CLUTCH/BRAKE HOSE FORMULA	LATIGUILLO FRENO/ EMBRAGUE
11	4655	4655	4655	GROUPE CPL POMPE EMB 9.5 MM FORMULA 13	COMPLETE CLUTCH MASTER CYLINDER 9.5 MM SET FORMULA	GRUPO BOMBA EMBR. COMPLETO 9.5 MM FORMULA 13
14	4664	4664	4664	CORPS ETRIER FREIN AVANT DOUBLE PISTON FORMULA	BODY FRONT CALIPER 2 PISTON FORMULA	CUERPO PINZA FRENO DEL DOBLE PISTON FORMULA
15	4252	4252	4252	PLAQUETTES FREIN AVANT PAIRE FORMULA	FRONT PAD BRAK PAIR FORMULA	JUEGO PASTILLAS FRENO DEL JUEGO FORMULA
19	4168	4168	4168	CORPS POMPE FREIN 10MM FORMULA	RIGH MASTER CYLINDER BODY KIT 10 MM FORMULA	CTO BOMBA FRENO DELANTERO FORMULA
20	4666	4666	4666	KIT PURGE FORMULA 13	BLEEDING SCREW KIT FORMULA 13	KIT PURGA FORMULA 13
21	R058	R058	R058	CAPUCHON VIS DE PURGE	HOOD SCREW PURGE	TAPÓN SANGRADOR
22	4725	4725	4725	VIS RACCORD M8 X 21 HEXA	LINK SCREW M8 X 21 HEXA	TORNILLO RACORD M8 X 21HEXA
23	R043	R043	R043	GUIDE DURITE FREIN AV	GUIDE FRONT BRAKE HOSE	GUÍA LATIGUILLO
25	3213	3213	3213	RONDELLE BANJO M8 (VOIR 2860)	ALUMINIUM SEAL M8 (SEE 2860)	ARANDELA BANJO M8 (VER 2860)
26	4656	4656	4656	GROUPE CPL POMPE FREIN AVANT 10 MM FORMULA 13	COMPLETE RIGHT MASTER CYLINDER 10MM FORMULA 13	CTO. BOMBA FRENO DELANTERO FORMULA 13
28	4665	4665	4665	KIT FIXAGE PLAQUETES FRONT FORMULA 13	FRONT PADS FIXING SCREW KIT FORMULA 13	KIT FIJACIÓN PASTILLAS DEL FORMULA 13
29	M252	M252	M252	VIS CHC 6 X 20 0084	SCREW CHC 6 X 20	TORNILLO 6 X 20 DIN 912
30	M283	M283	M283	VIS BHC 6 X 16 1093 ZI BL	SCREW BHC 6 X 16	TORNILLO 6 X 16 ULS CIN BLA
31	M306	M306	M306	ECROU NYLSTOP M6 0368.6	NUT NYLSTOP M6	TUERCA NYLSTOP M6
32	M317	M317	M317	RONDELLE 6 X12 0407 6	WASHER X 6	ARANDELA 6 DIN 125 A
36	1227	1227	1227	MOUSSE GUIDON TRIAL 07	FOAM HANDLEBAR 07	ESPUMA MANILLAR TRIAL 07
37	1246	1246	1246	COLLIER 07	COLLIER 07	BRIDA MANILLAR 07
38	4647	4647	4647	LEVIER FREIN AVANT COMPLETE FORMULA 13	BRAKE LEVER COMPLET FORMULA 13	MANETA FRENO DELANTERA COMPLETA FORMULA 13
39	4649	4649	4649	KIT FIXAGE LEVIER FORMULA 13	LEVER FIXING SCREW KIT FORMULA 13	KIT FIJACIÓN MANETA FORMULA 13
41	4652	4652	4652	KIT REPARATION PISTON POMPE 9,5 MM FORMULA	PISTON KIT 9,5 MM FORMULA	KIT REPARACIÓN PISTÓN BOMBA 9,5 MM FORMULA
42	4679	4679	4679	KIT PURGE FORMULA 13	BLEEDING SCREW KIT FORMULA 13	KIT PURGA FORMULA 13
43	4677	4677	4677	KIT PISTON EMETEUR EMBRAYAGE TRIAL	PISTON KIT BBRAKE TRIAL	KIT PISTÓN EMPUJADOR EMBRAGUE TRIAL
44	3998	3998	3998	RESSORT ETRIER EMB TRIAL	CLUTCH SPRING TRIAL	MUELLE BOMBIN EMBRAGUE TRIAL
45	4678	4678	4678	KIT OR EMETEUR EMBRAYAGE TRIAL	KIT OR BRAKE CALIPER TRIAL	KIT TÓRICAS EMPUJADOR EMBRAGUE TRIAL
46	3978	3978	3978	BILLE 5.556	BALL 5.556	BOLA 5.556
47	4049	4049	4049	PISTON RECEPTEUR EMBRAYAGE TRIAL	PISTON SLAVE CYLINDER TRIAL	PISTÓN BOMBÍN EMBRAGE TRIAL

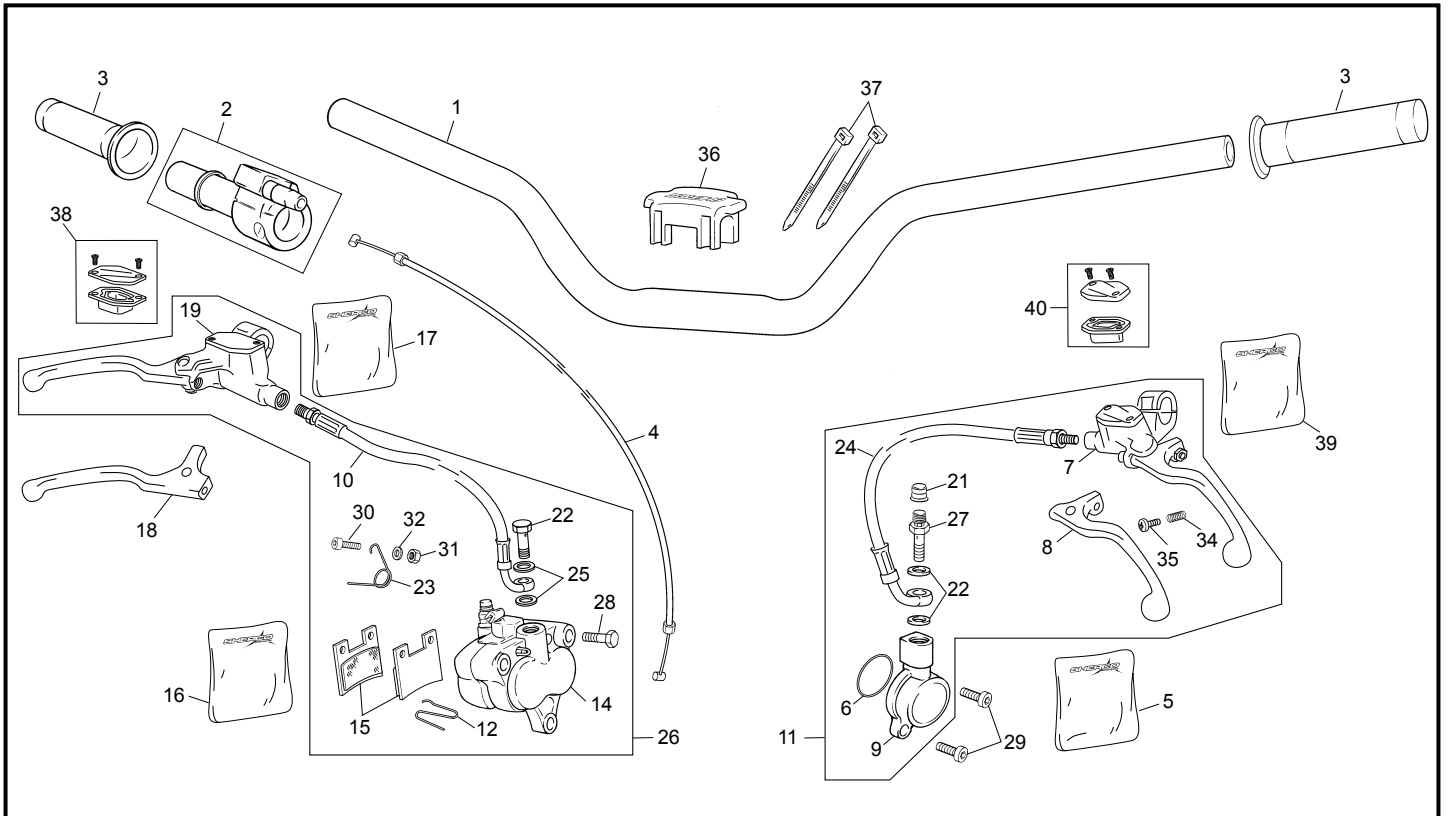


## Guidon / Handlebar / Manillar



POS.	2.5	2.9	3.0	FRANÇAIS	ENGLISH	ESPAÑOL
48	3919	3919	3919	JOINT TORIQUE 24X1.5 NBR RECEPTEUR EMBRAYAGE	O RING 24X1.5 NBR	TÓRICA 24X1.5 NBR
49	4678	4678	4678	KIT OR EMETEUR EMBRAYAGE TRIAL	KIT OR BRAKE CALIPER TRIAL	KIT TÓRICAS EMPUJADOR EMBRAGUE TRIAL
50	4304	4304	4304	KIT PISTONS ETRIER AVANT DOUBLE PIST FORMULA	PISTON KIT FRONT CALIPER FORMULA	KIT PISTONES PINZA FRENO DEL FORMULA
51	4169	4169	4169	KIT RESERVOIR POMPE FREIN AVANT FORMULA	FRONT BRAKE GROUP FORMULA	CTO. DEPÓSITO FRENO DELANTERO FORMULA
52	4653	4653	4653	KIT BRIDE POMPE FORMULA 13	CLAMP KITFORMULA 13	KIT BRIDA BOMBA FORMULA 13
53	4161	4161	4161	KIT RESERVOIR POMPE EMB FORMULA	RESERVOIR KIT FORMULA	KIT TAPA DEPÓSITO BOMBA EMB FORMULA
54	4653	4653	4653	KIT BRIDE POMPE FORMULA 13	CLAMP KITFORMULA 13	KIT BRIDA BOMBA FORMULA 13
55	4648	4648	4648	KIT REPARATIONJ PISTON POMPE10 MM FORMULA 13	PISTON KIT 10 MM FORMULA 13	KIT REPARACIÓN PISTÓN BOMBA 10 MM FORMULA 13
56	4251	4251	4251	KIT OR ETRIER AVANT DOUBLE PIST FORMULA	KIT OR FRONT CALIPER FORMULA	KIT TÓRICAS PINZA FRENO DEL. FORMULA
57	4651	4651	4651	REGULATION LEVIER FREIN / EMBRAYAGE FORMULA 13	ADJUSTEMENT BRAKE / CLUTCH LEVER FORMULA 13	REGULACIÓN MANETA FRENO / EMBR. FORMULA 13
58	4717	4717	4717	BOUCHON ETRIER FORMULA OR	TAP CALIPER FORMULA GOLD	TAPÓN PINZA FORMULA ORO
59	3776	3776	3776	GROUPE FREIN AVANT DOUBLE PISTON	FRONT BRAKE GROUP COMPLETE	CTO. FRENO DELANTERO DOBLE PISTÓN
60	4051	4051	4051	GROUPE COP. EMBRAYAGE FORMULA 13	COMPLETE CLUTCH SET FORMULA 13	GRUPO EMBRAGUE FORMULA 13

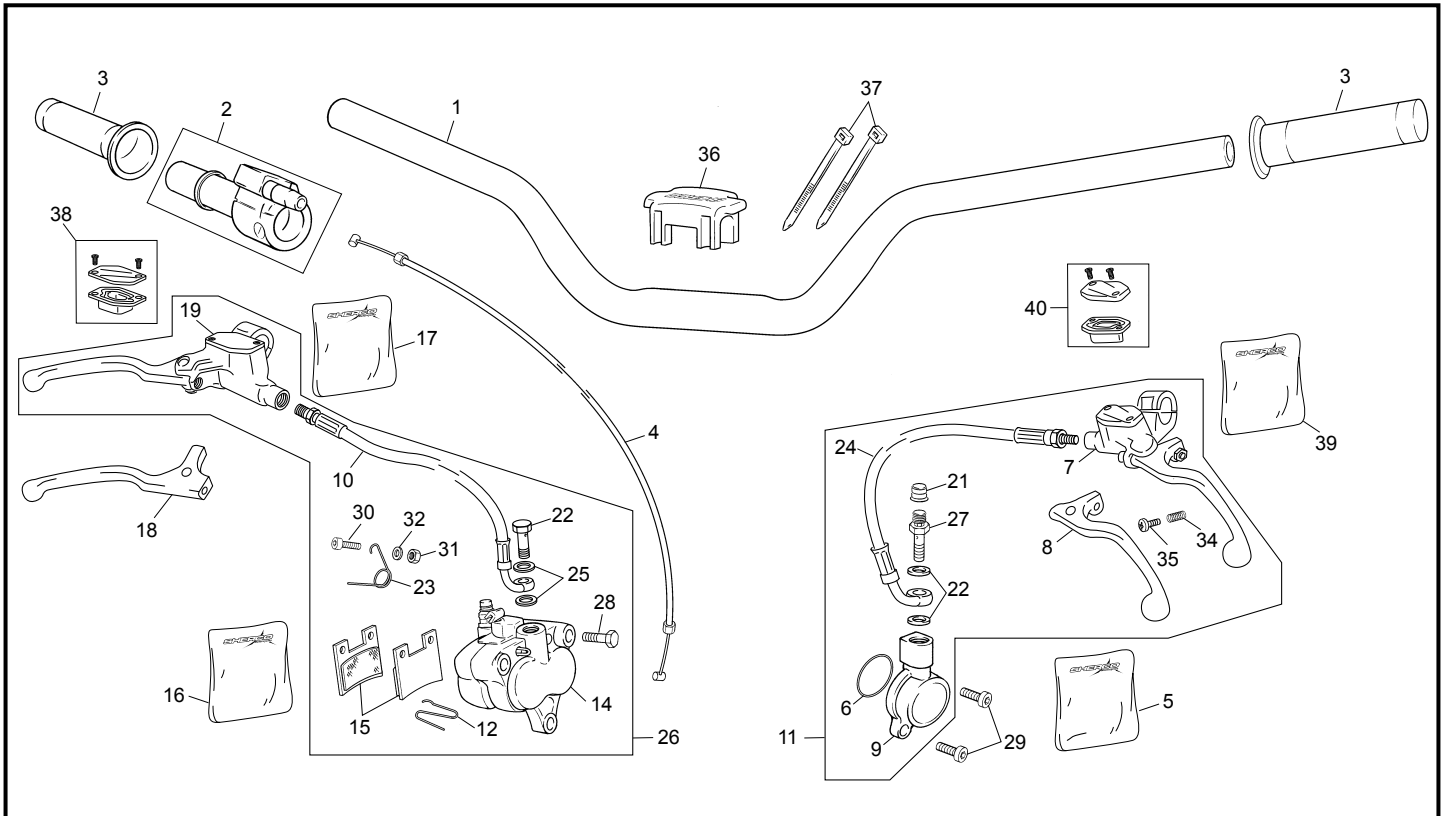
### Guidon avec système Braktec / Handlebar with Braktec system / Manillar con sistema Braktec



POS.	2.5	2.9	3.0	FRANÇAIS	ENGLISH	ESPAÑOL
1	3676	3676	3676	GUIDON TRIAL 2012	HANDLEBAR TRIAL 2112	MANILLAR TRIAL 2012
2	C074	C074	C074	COMMANDE DE GAZ	THROTTLE CONTROL	MANDO DE GAS
3	1662	1662	1662	POIGNEE CAOUTCHOUX PAIRE REA	GRIPS SET REA	JUEGO EMPUNADURAS REA
4	1362	1362	1362	CABLE DE GAZ KEIHIN	THROTTLE CABLE KEIHIN	CABLE DE GAS KEIHIN
5	5529	5529	5529	KIT PISTON EMETEUR EMBRAYAGE TRIAL BRAKTEC	PISTON KIT BBRAKE TRIAL BRAKTEC	KIT PISTONE EMPUJADOR EMBRAGUE TRIAL BRAKTEC
6	R024	R024	R024	TORIQUE 35 X 31 X 2 EMB/CARTER	O-RING 31 X 2 (CLUTCH)	TORICA 31 X 2 EMBRA/CARTER
7	5520	5520	5520	POMPE EMB CPL BRAKTEC	CLUTCH FRONT PUMP ASSY BRAKTEC	CTO BOMBA EMB BRAKTEC
8	5523	5523	5523	LEVIER EMBRAYAGE BRAKTEC	LEVER CLUCH BRAKTEC	MANETA EMBRAGUE BRAKTEC
9	5528	5528	5528	CYLINDRE RECEPTEUR D EMBRAYAGE TRIAL BRAKTEC	SLAVE CYLINDER 250 TRIAL BRAKTEC	BOMBIN EMBRAGE TRIAL BRAKTEC
10	5531	5531	5531	DURITE FREIN AVANT BRAKTEC	FRONT BRAKE HOSE BRAKTEC	LATIGUILLO FRENO DELANTERO BRAKTEC
11	5079	5079	5079	GROUPE CPL EMB BRAKTEC	COMPLETE CLUTCH SET BRAKTEC	GRUPO EMBRAGUE COMPLETO BRAKTEC
12	R042	R042	R042	CLIP PLAQUETTES	CLIP PAD BRAKE	MUELLE PASTILLAS FRENO
14	5524	5524	5524	CORPS ETRIER FREIN AVANT DOUBLE PISTON BRAKTEC	BODY FRONT CALIPER 2 PISTON BRAKTEC	CUERPO PINZA FRENO DEL DOBLE PISTON BRAKTEC
15	C389	C389	C389	PLAQUETTES FREIN AVANT PAIRE 2002	FRONT PAD BRAK PAIR 2002	JUEGO PASTILLAS FRENO DEL JUEGO 2002
16	5525	5525	5525	KIT REPARATION PISTON POMPE BRAKTEC	PISTON KIT 10 MM BRAKTEC	KIT REPARACION PISTON BOMBA BRAKTEC
17	5517	5517	5517	KIT REPARATIONJ PISTON BRAKTEC	PISTON KIT 10 MM BRAKTEC	KIT REPARACION PISTON BOMBA BRAKTEC
18	5519	5519	5519	LEVIER FREIN AVANT BRAKTEC	FRONT BRAKE LEVER BRAKTEC	MANETA FRENO DEL BRAKTEC
19	5567	5567	5567	POMPE FREIN AV CPL BRAKTEC	FRONT PUMP ASSY BRAKTEC	BOMBA FRENO DEL BRAKTEC
20	R057	R057	R057	PURGEUR ETIER AVANT	PURGE STIRRUP SCREW	SANGRADOR DELANTERO
21	R058	R058	R058	CAPUCHON VIS DE PURGE	HOOD SCREW PURGE	TAPON SANGRADOR
22	5527	5527	5527	KIT PURGE BRAKTEC	BLEEDING SCREW KIT BRAKTEC	KIT PURGA FORMULA BRAKTEC
23	R043	R043	R043	GUIDE DURITE FREIN AV	GUIDE FRONT BRAKE HOSE	GUIA LATIGUILLO
24	5532	5532	5532	DURITE EMBRAYAGE BRAKTEC	CLUTCH HOSE BRAKTEC	LATIGUILLO EMBRAGUE BRAKTEC
25	3213	3213	3213	RONDILLE BANJO M8 (VOIR 2860)	ALUMINIUM SEAL M8 (SEE 2860)	ARANDELLA BANJO M8 (VER 2860)
26	5078	5078	5078	GROUPE FREIN AVANT DOUBLE PISTON BRAKTEC	FRONT BRAKE GROUP COMPLETE BRAKTEC	CTO FRENO DELANTERO DOBLE PISTON BRAKTEC
27	5530	5530	5530	KIT PURGE BRAKTEC	BLEEDING SCREW KIT BRAKTEC	KIT PURGA BRAKTEC
28	R236	R236	R236	AXE ETRIER FREIN AV DL/PISTON	PIN FRONT CALIPER DL PISTON	EJE PINZA FRENO DL/PISTON
29	M252	M252	M252	VIS CHC 6 X 20 0084	SCREW CHC 6 X 20	TORNILLO 6 X 20 DIN 912
30	M283	M283	M283	VIS BHC 6 X 16 1093 ZI BL	SCREW BHC 6 X 16	TORNILLO 6 X 16 ULS CIN BLA
31	M306	M306	M306	ECROU NYLSTOP M6 0368.6	NUT NYLSTOP M6	TUERCA NYLSTOP M6
32	M317	M317	M317	RONDILLE 6 X12 0407 6	WASHER X 6	ARANDELA 6 DIN 125 A
34	R367	R367	R367	RESSORT LEVIER EMB	SPRING CLUTCH LEVER	MUELLE REGULATION LEVA EMB
35	R368	R368	R368	VIS TENDEUR LEVIER EMB	SCREW REGUL CLUTCH LEVER	TORNILLO REGULATION LEVA EMB
36	1227	1227	1227	MOUSSE GUIDON TRIAL 07	FOAM HANDLEBAR 07	ESPUMA MANILLAR TRIAL 07
37	1246	1246	1246	COLLIER RISLAN MOUSSE 07	COLLIER 07	ABRAZADERA PROTECTOR MANILLAR 07

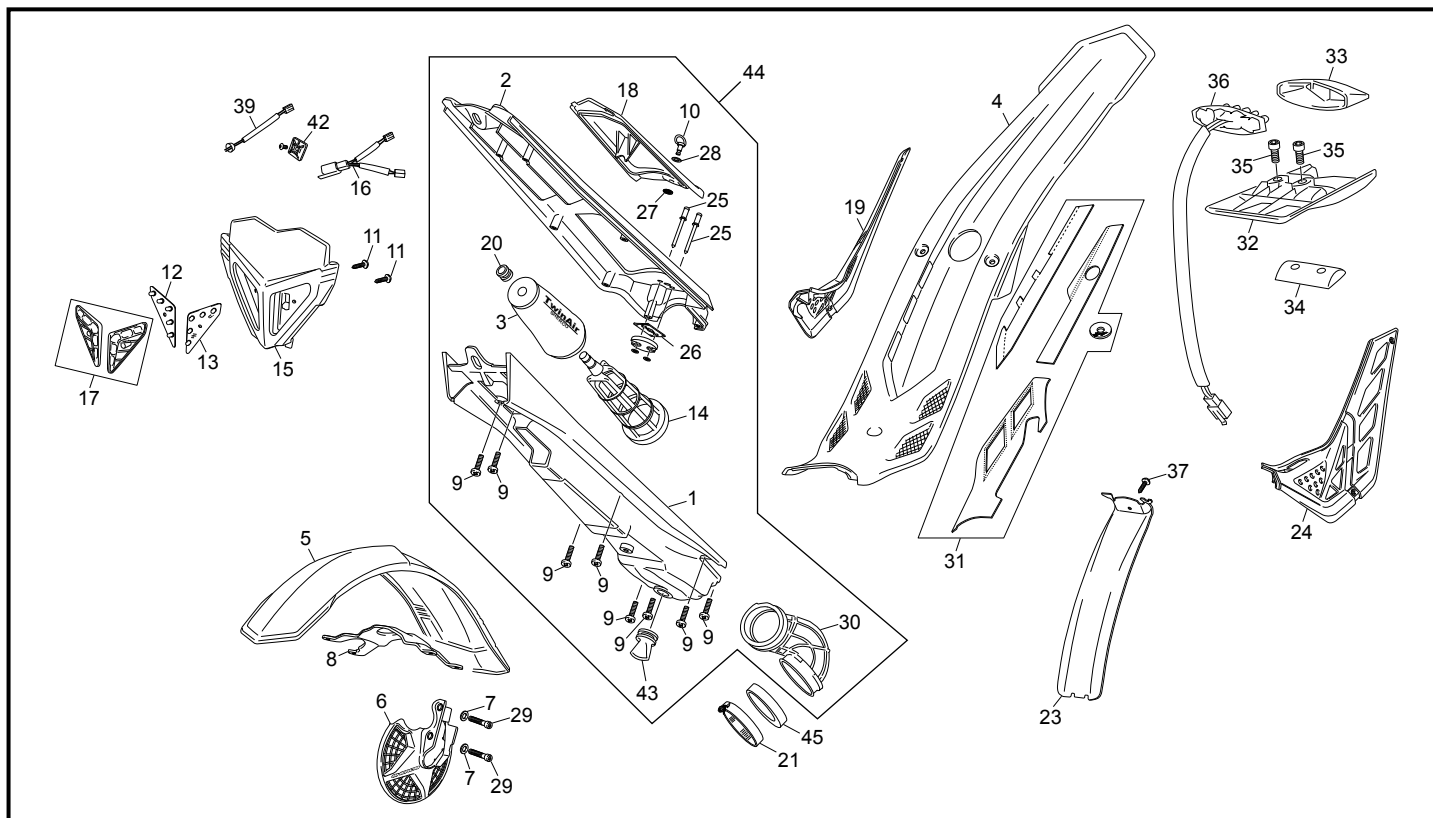
8a

Guidon avec système Braktec / Handlebar with Braktec system / Manillar con sistema Braktec



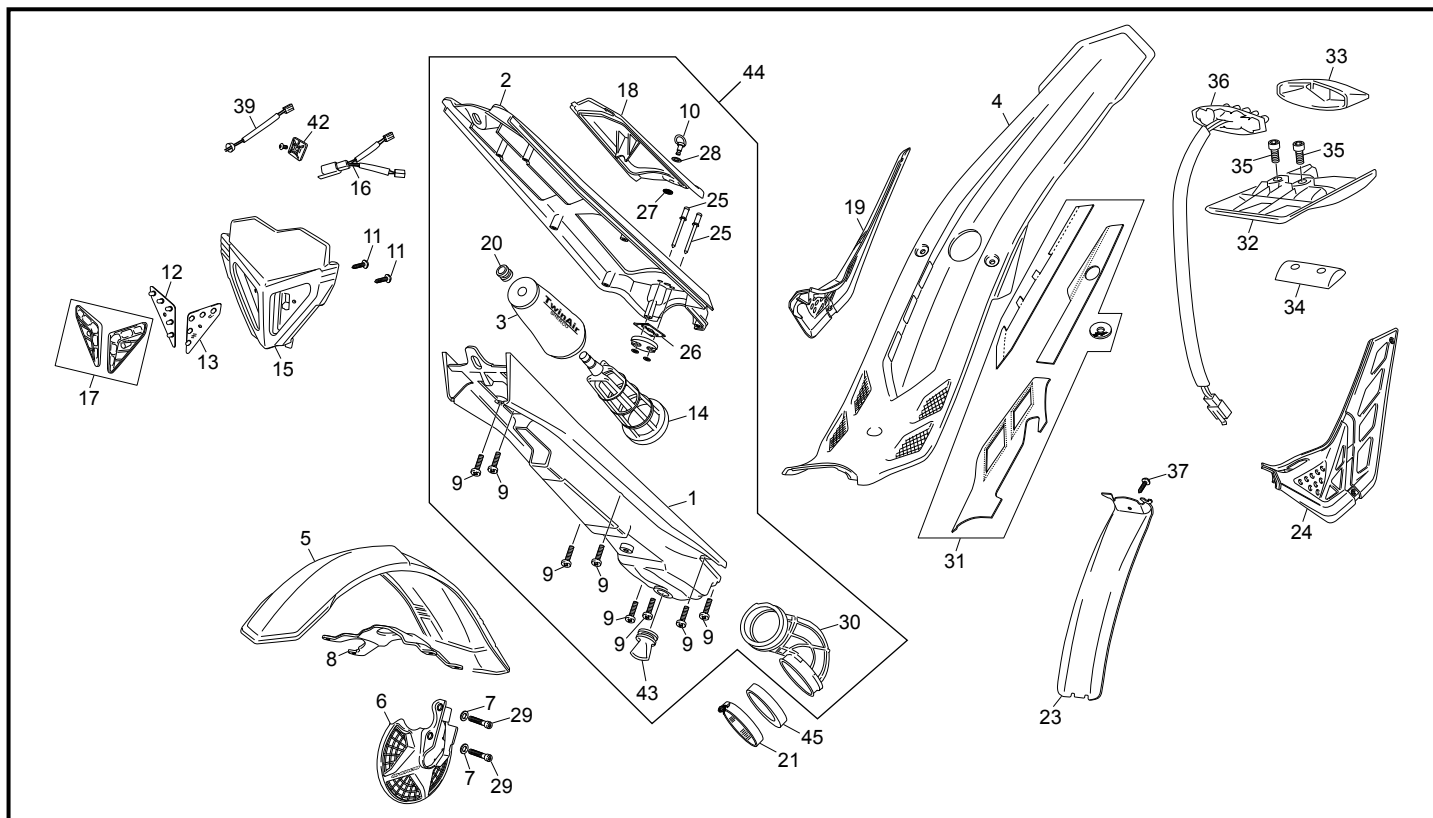
POS.	2.5	2.9	3.0	FRANÇAIS	ENGLISH	ESPAÑOL
38	5518	5518	5518	KIT RESERVOIR POMPE FREIN BRAKTEC	FRONT BRAKE GROUP BRAKTEC	CTO DEPOSITO FRENODELANTERO BRAKTEC
39	5521	5521	5521	KIT REPARATIONJ PISTON EMB BRAKTEC	PISTON CLUTCH KIT BRAKTEC	KIT REPARACION PISTON EMBRAGUE BRAKTEC
40	5522	5522	5522	KIT RESERVOIR POMPE EMB BRAKTEC	RESERVOIR KIT FORMULA BRAKTEC	KIT TAPA DEPOSITO BOMBA EMB BRAKTEC

## Plastiques / Plastics / Plásticos



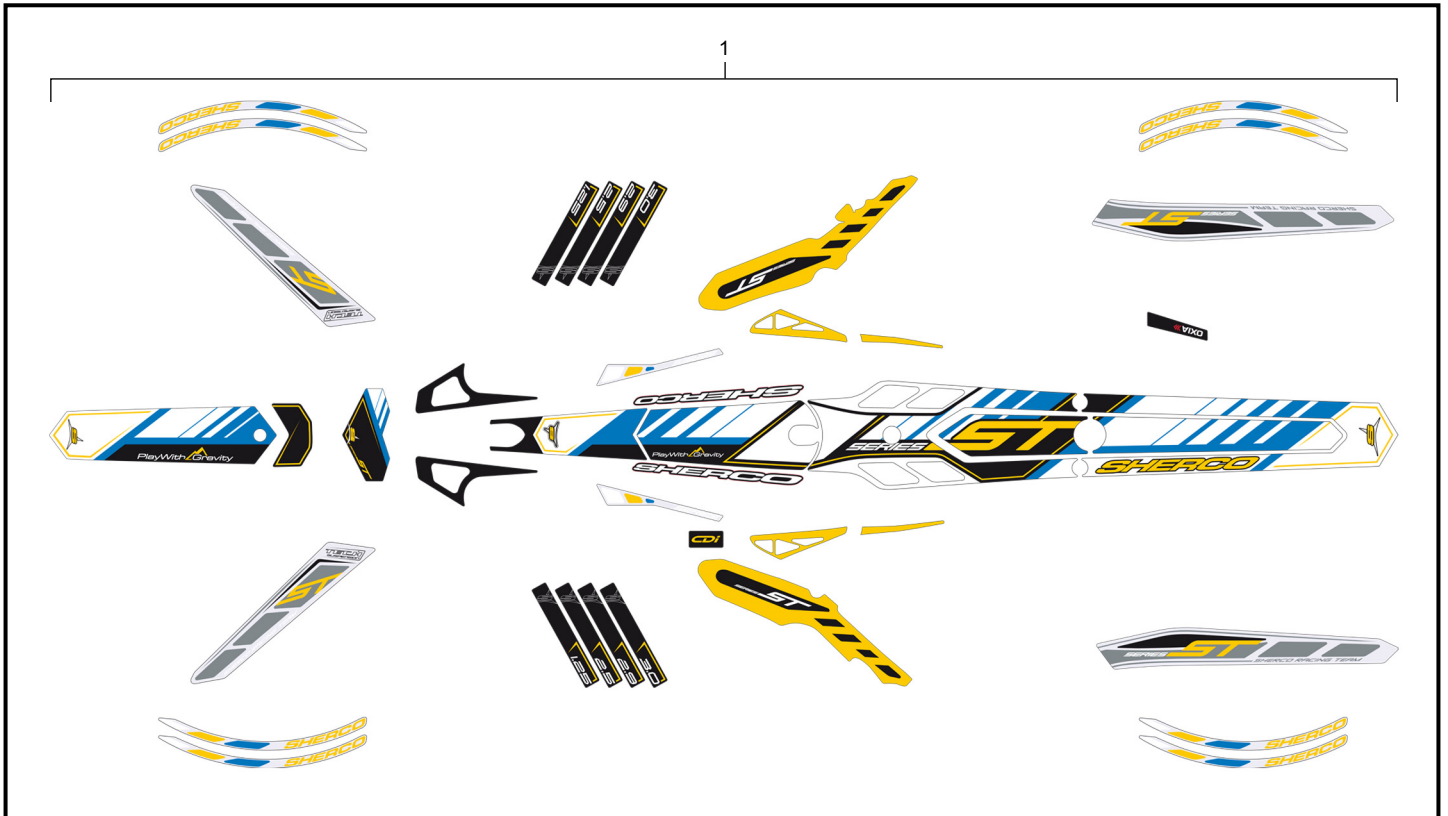
POS.	2.5	2.9	3.0	FRANÇAIS	ENGLISH	ESPAÑOL
1	3588	3588	3588	CORPS FILTRE INF 2012	BODY FILTER INF 2012	CUERPO FILTRO INF 2012
2	3589	3589	3589	CORPS FILTRE SUP 2012	BODY FILTER 2012	CUERPO FILTRO 2012
3	3590	3590	3590	MOUSSE DE FILTRE 2012	FOAM FILTER 2012	ESPUMA DE FILTRO 2012
4	5072	5072	5072	PARE BOUE ARRIERE NOIR TR 14	REAR MUDGUARD BLACK TR 14	GUARDABARRO TRASERO NEGRO TR 14
5	5071	5071	5071	PARE BOUE AVANT NOIR TR 14	FRONT MUDGUARD BLACK TR 14	GUARDABARRO DELANTERO NEGRO TR 14
6	3400	3400	3400	ARCEAU FOURCHE TS	MUDGUARD HOLDER TS	PUNTE SUSPENSIÓN TS
7	C031	C031	C031	ENTRETOISE PARE DISQUE	SPACER DISC COVER	SEPARADOR CUBREDISCOS DEL.
8	4543	4543	4543	ARCEAU FOURCHE TS TITANIO SHERCO	MUDGUARD HOLDER TS TITANIO SHERCO	PUNTE SUSPENSIÓN TS TITANIO SHERCO
9	2266	2266	2266	VIS SPECIAL PLASTIQUE	PLASTIC SPECIAL SCREW	TORNILLO ESPECIAL PLÁSTICO
10	2267	2267	2267	DZUS DE FILTRE 2010	FILTER DZUS 2010	DZUS DE FILTRO 2010
11	M335	M335	M335	VIS TOLE 3.9 X 16	SCREW TOLE 3.9 X 16	TORNILLO TOLE 3.9 X 16
12	2360	2360	2360	LED AVANT DROITE 2010	FRONT RIGHT BULB 2010	LED DELANTERO DERECHO 2010
13	2361	2361	2361	LED AVANT GAUCHE 2010	FRONT LEFT BULB 2010	LED DELANTERO IZQUIERDO 2010
14	3587	3587	3587	GRILLE FILTRE 2012	FILTER PROTECTOR 2012	REJILLA FILTRO 2012
15	3163	3163	3163	PLAQUE PHARE NOIR TR 11	PLASTIC LIGHT COVERT BLACK TR 11	PLACA FARO NEGRA TR 11
16	2821	2821	2821	FAISEAU OPTIQUE TRIAL 2010	FRONT LIGHT CABLE SYSTEM TRIAL 2010	INSTALACIÓN ÓPTICA TRIAL 2010
17	2358	2358	2358	OPTIQUE DOUBLE 2010	DOUBLE FRONT LIGHT 2010	ÓPTICA DOBLE 2010
18	5074	5074	5074	COUVERCLE FILTRE NOIR 2014	AIR FILTER BOX COVER BLACK 2014	TAPA FILTRO NEGRA 2014
19	2257	2257	2257	GRILLE PROTECTEUR ECHAPEMENT 2010	PROTECTOR EXHAUST COVER 2010	REJILLA PROTECTEUR ESCAPE 2010
20	C118	C118	C118	SILENT BLOC RADIATEUR	SILENT-BLOC RADIATOR	SILENT-BLOC RADIADOR
21	0595	0595	0595	COLLIER KC060 MANCHON CORP INJECTION END 450	COLLAR KC060 HOSE BODY INJECTION END 450	BRIDA TOBERA KC060 CUERPO INYECCIÓN END 450
23	2364	2364	2364	BAVETTE AM 2010	REAR SHOCK COVER 2010	PROTECTOR AMORTIGUADOR 2010
24	2258	2258	2258	GRILLE PROTECTEUR RESERVOIR 2010	PROTECTOR TANK COVER 2010	REJILLA PROTECTEUR DEPÓSITO 2010
25	2268	2268	2268	RIVET ZEBRA 2.4 X 9	RIVET POP DIAM 2.4 X 9	REMACHE 2.4 X 9
26	2317	2317	2317	PLAQUE DZUS TRIAL	PLAQUE DZUS TRIAL	PLAQUE DZUS TRIAL
27	2318	2318	2318	RONDELLE VEROUILLAGE DZUS TRIAL	WASHER RETENTION DZUS TRIAL	ARANDELLA RETENCIÓN DZUS TRIAL
28	2319	2319	2319	RONDELLE PLASTIQUE DZUS TRIAL	WASHER PLASTIQUE DZUS TRIAL	ARANDELLA PLÁSTICO DZUS TRIAL
29	M267	M267	M267	VIS CHC 4 X 16 0084	SCREW VIS CHC 4 X 16	TORNILLO 4 X 16 ALLEN
30	3592	3592	3592	RACCORD FILTRE CARBU 2T TR 12	MANIFOLD FILTER/CARBU 2T TR 12	TOBERA FILTRO CARBURADOR 2T TR 12
31	2275	2275	2275	ADESIF THERMIQUE GB AR JEU 2010	SET THERMIC STECKER MUDGUARD 2010	PROTECTOR TÉRMICO GB TRAS JUEGO 2010
32	2048	2048	2048	SUPPORT FEU ARRIERE TR 09	FIXATION RED LIGHT TR 09	SOPORTE LUZ TRASERA TR 09
33	2049	2049	2049	FEU ARRIERE TR 09	REA LIGHT TR 09	LUZ TRASERA TR 09
34	2047	2047	2047	FIXATION SUPPORT IMMATRICULATION TR 09	FIXATION MATRICULATION SUPPORT TR 09	SUJECIÓN SOPORTE MATRÍCULA TR 09
35	2052	2052	2052	VIS BHC 5 X 20	SCREW BHC 5 X 20	TORNILLO 5 X 20 ULS
36	2035	2035	2035	LED ARRIERE 09 TR	REAR BULB 09 TR	LED TRASERO 09 TR
37	M345	M345	M345	VIS BHC 6 X 12 CARROSSERIE	SCREW BHC 6 X 12 BODY	TORNILLO BHC 6 X 12 CARROCERÍA

## Plastiques / Plastics / Plásticos



POS.	2.5	2.9	3.0	FRANÇAIS	ENGLISH	ESPAÑOL
39	2921	2921	2921	INTERUPTEUR LUMIERE TRIAL 2010	FRONT LIGHT STOP TRIAL 2010	INTERRUPTOR LUCES TRIAL 2010
42	3202	3202	3202	FIXATION INTERRUPTOR LUMIERE	STRAP FIX INT	LAPA FIJACIÓN INTERRUPTOR
43	1167	1167	1167	VALVE CAISSE FILTRE	VALVE BOX FILTER	VÁLVULA CAJA FILTRO
44	5073	5073	5073	BOITE FILTRE COMPLETE NOIR TR 14	COMPLET FILTER BOX BLACK TR 14	CAJA FILTRO COMPLETA NEGRA TR 14
45	2369	----	----	ADAPTEUR CARD. DELLORTO	ADAPTER TIPER DELLORTO	ADAPTADOR CARDURADOR DELLORTO

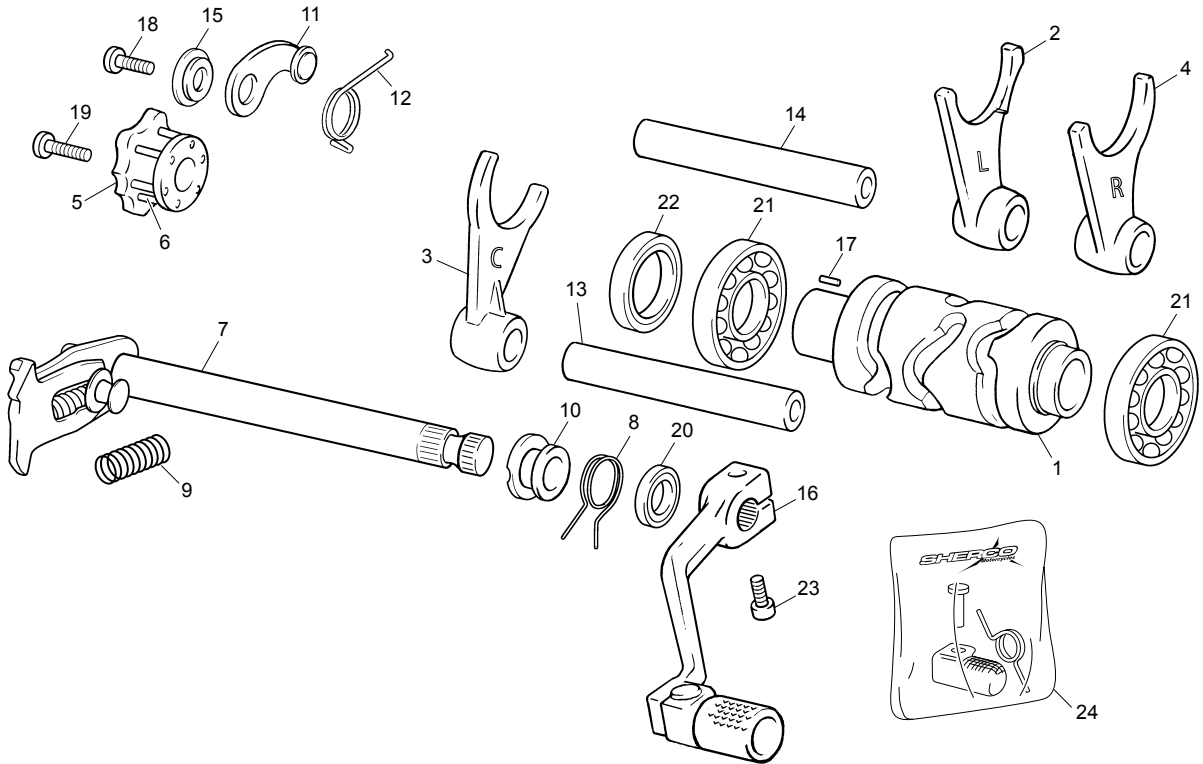
Adhesif / Stiker / Adhesivo



POS.	2.5	2.9	3.0	FRANÇAIS	ENGLISH	ESPAÑOL
1	4979	4979	4979	ADHESIVE GROUPE MOTO SHERCO TRIAL 2014	STICKER BIKE GROUP SHERCO TR 2014	ADHESIVO GRUPO MOTO SHERCO TRIAL 2014



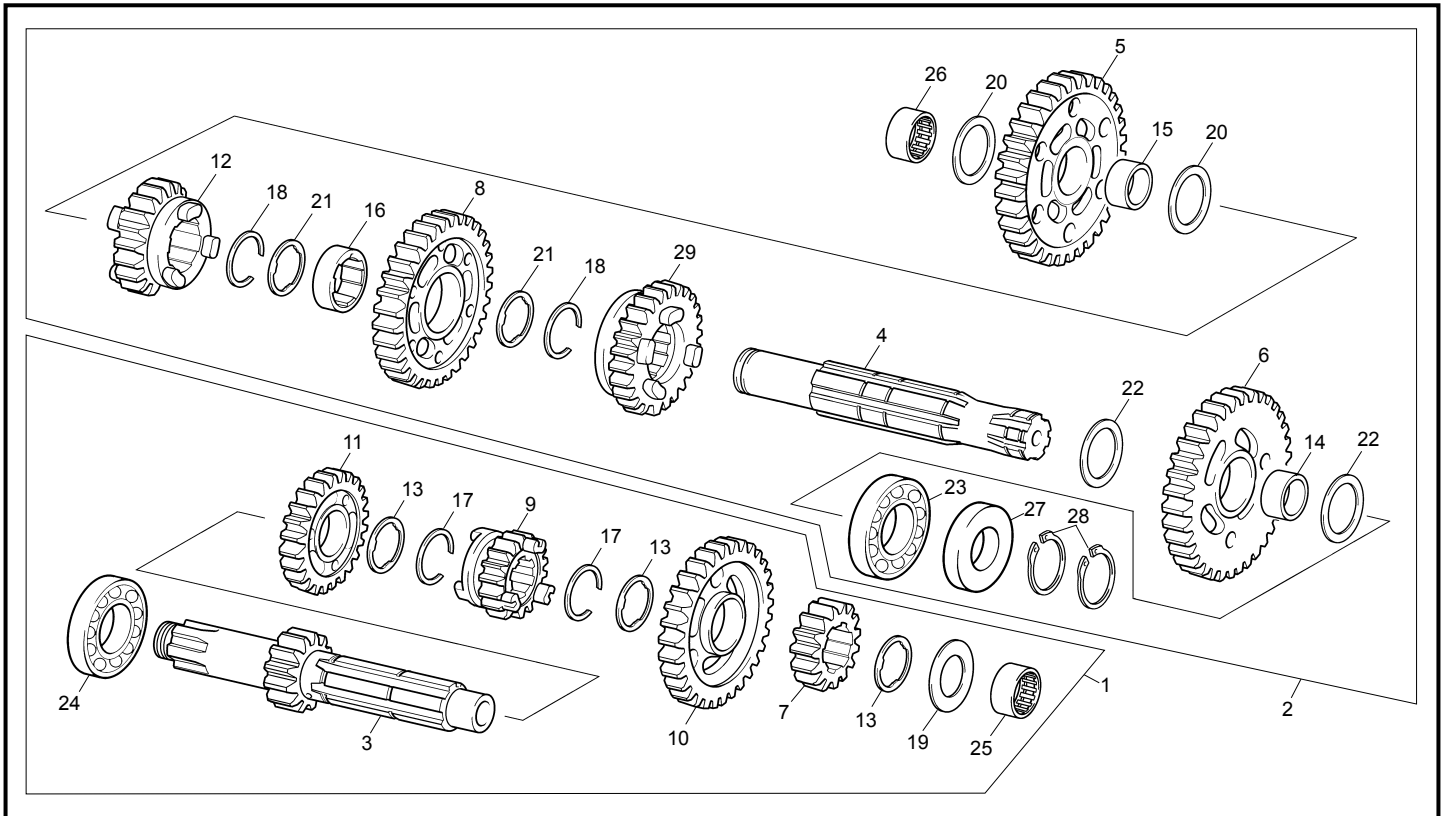
### Selecteur / Gear selector group / Selector cambio



POS.	2.5	2.9	3.0	FRANÇAIS	ENGLISH	ESPAÑOL
1	M100	M100	M100	TAMBOUR DE SELECTION	SELECTOR DRUM	DESMODRÓMICO SELECTOR
2	M102	M102	M102	FOURCHETTE L	L FORK	HORQUILLA L
3	M103	M103	M103	FOURCHETTE C	C FORK	HORQUILLA C
4	M104	M104	M104	FOURCHETTE R	R FORK	HORQUILLA R
5	M105	M105	M105	ETOILE DE SELECTION CPL	INDEX SHIM	ESTRELLA SELECTOR
6	M106	M106	M106	PION ETOILE INA NRA 3X17.8	NEEDLE PIN NRA3X17.8	AGUJA DE LA ESTRELLA INA NRA3X17.8
7	M107	M107	M107	ARBRE DE SELECTEUR CPL	SHIFT SHAFT WITH PAWL ASSY	ÁRBOL SELECTOR
8	M110	M110	M110	RESSORT RAPPEL SELECTION	SPRING SHIFT LEVER	MUELLE RETORNO SELECTOR
9	M111	M111	M111	RESSORT RAPPEL COULISSEAU	SPRING COULISSEAU	MUELLE RETORNO ESORPIÓN
10	M113	M113	M113	DOUILLE CENTRAGE RESSORT RAPPEL	SPACER SPRING SHIFT LEVER	CASQUILLO CENTRAJE MUELLE RETORNO
11	M114	M114	M114	LEVIER DE VERROUILLAGE CPL	INDEX LEVER ASSY	PALANCA DE CIERRE SELECTOR
12	M117	M117	M117	RESSORT DE RAPPEL LEVIER VERROUIL	INDEX SPRING	MUELLE RETORNO PALANCA DE CIERRE
13	M118	M118	M118	AXE DE FOURCHETTE COURT	FORK SPINDLE	EJE DE HORQUILLA CORTO
14	M119	M119	M119	AXE DE FOURCHETTE LONG	FORK SPINDLE LONG	EJE DE HORQUILLA LARGO
15	M121	M121	M121	DOUILLE LEVIER VERROUILLAGE	SPACER INDEX LEVER	CASQUILLO PALANCA CIERRE
16	4538	4538	4538	SELECTEUR EXTERIEUR NOIRE	SHIFT LEVER ASSY BLACK	PALANCA DE CAMBIO NEGRA
17	M122	M122	M122	PION CLAVETAGE ETOILE NRA3X11.8	NEEDLE PIN NRA3X11.8	AGUJA POSICIONADO ESTRELLA NR3X11.8
18	M251	M251	M251	VIS CHC 6 X 16 0084	SCREW CHC 6 X 16	TORNILLO 6 X 16 DIN 912
19	M253	M253	M253	VIS CHC 6 X 30 0084	SCREW CHC 6 X 30	TORNILLO 6 X 30 DIN 912
20	M126	M126	M126	JOINT LEVRE 12 X 19 X 5 DL	OIL SEAL 12X19X5	RETÉN 12X19X5 DL
21	M123	M123	M123	ROULEMENT 25X37X7 R61805	BEARING 25X37X7 R61805	COJINETE 25X37X7 R61805
22	M124	M124	M124	JOINT A LEVRE G28X37X4	OIL SEAL G28X37X4	RETÉN G28X37X4
23	M252	M252	M252	VIS CHC 6 X 20 0084	SCREW CHC 6 X 20	TORNILLO 6 X 20 DIN 912
24	5325	5325	5325	KIT REPARATION SELECTEUR	KIT REPARATION SELECTOR	KIT REPARACIÓN SELECTOR

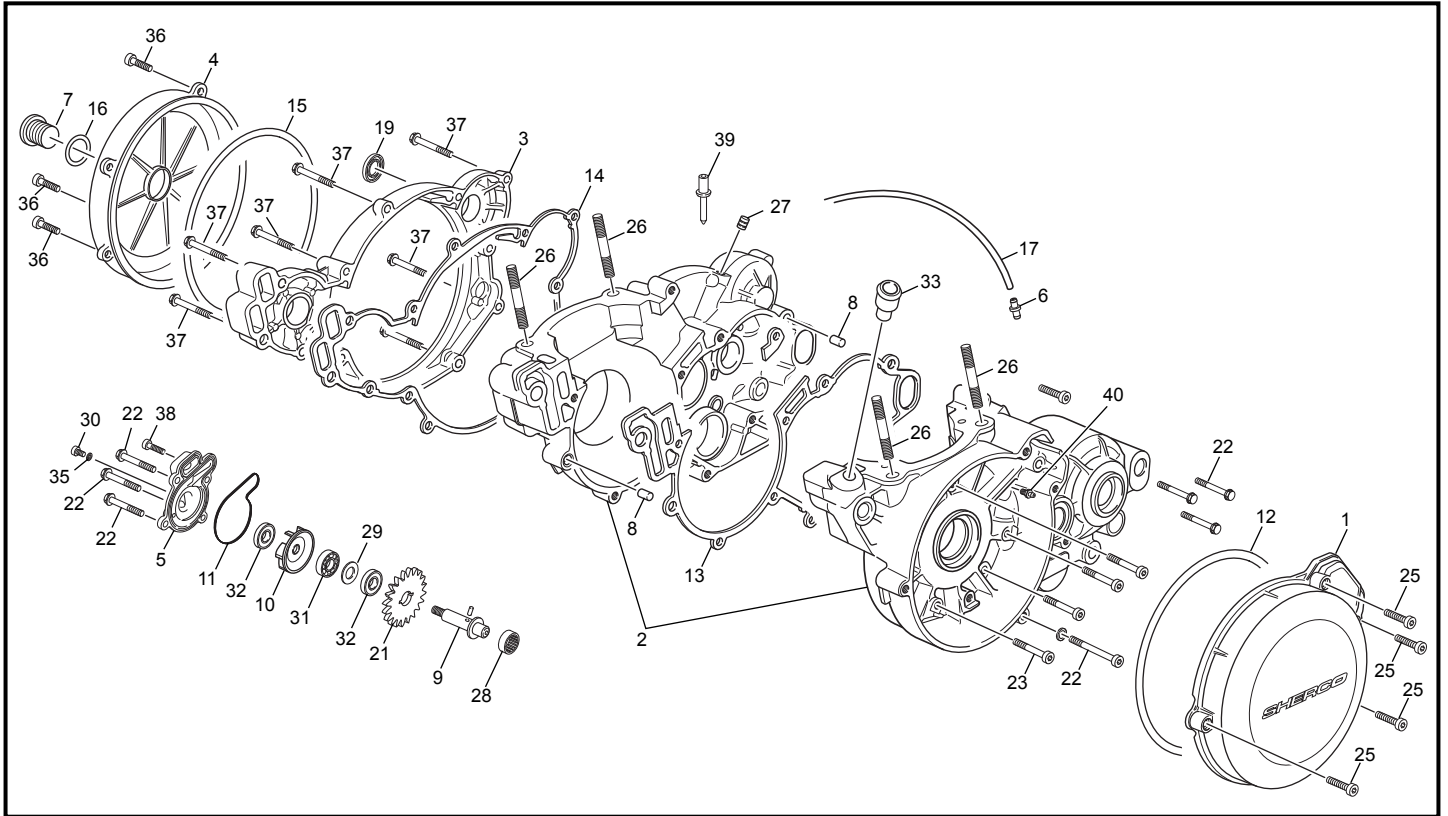


### Boite a vitesses / Gear set / Cambio



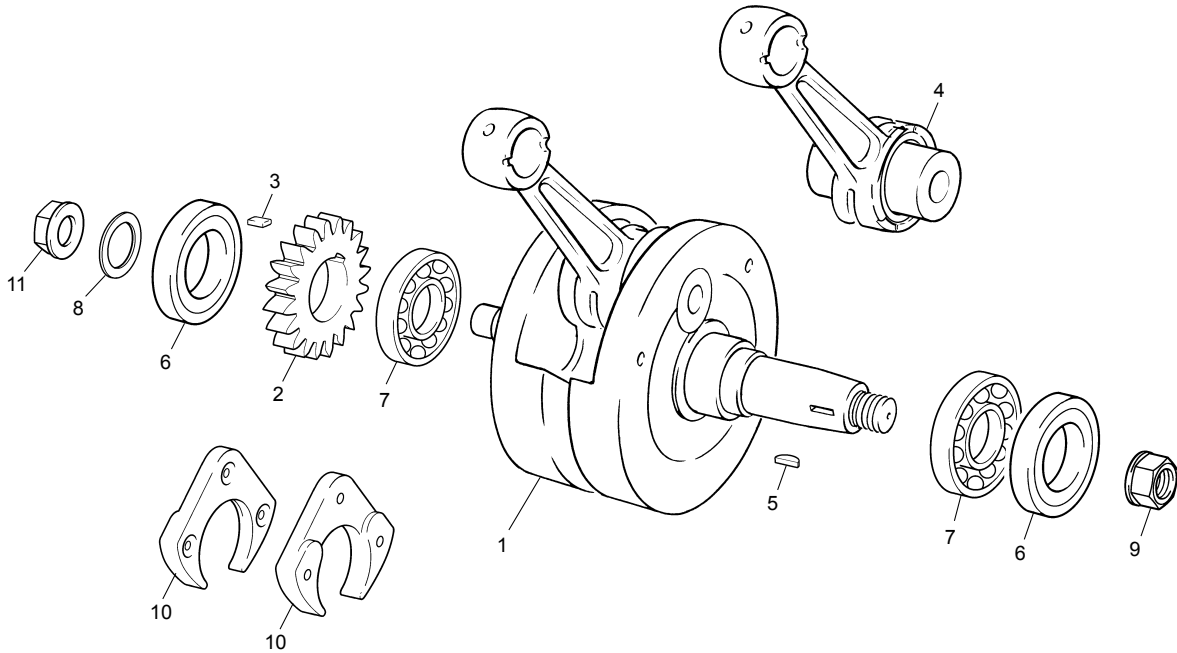
POS.	2.5	2.9	3.0	FRANÇAIS	ENGLISH	ESPAÑOL
1	M390	M390	M390	ENSEMBLE ARBRE PRIMAIRE 03	GROUP FIRST SHAFT WITH PINION 03	CONJUNTO EJE PRIMARIO CAMBIO 03
2	M391	M391	M391	ENSEMBLE ARBRE SECONDAIRE 03	GROUP SECOND SHAFT WITH PINION 03	CONJUNTO EJE SECUNDARIO 03
3	M374	M374	M374	ARBRE PRIMAIRE / PIGNON 1ERE EVOL 2	GEAR CLUTCH SHAFT EVOL 2	EJE PRIMARIO EVOL 2
4	M054	M054	M054	ARBRE SECONDAIRE	MAINSHAFT	EJE SECUNDARIO
5	M367	M367	M367	PIGNON SECONDAIRE 1ERE EVOL 2	PINION SECOND 1ERE EVOL 2	PIÑÓN SECOND 1ERE EVOL 2
6	M056	M056	M056	ROUE LIBRE DE 2EME	FREE PINION 2 EME	CORONA DE 2a
7	M057	M057	M057	PIGNON FIXE DE 2 EME	GEAR PINION 2EME	PIÑÓN DE 2a
8	M058	M058	M058	ROUE LIBRE DE 3 EME	FREE PINION 3 EME	CORONA DE 3a
9	M059	M059	M059	PIGNON BALADEUR DE 3EME	GEAR PINION 3 EME	PIÑÓN DESPLAZABLE 3a
10	M061	M061	M061	ROUE LIBRE DE 5 EME	GEAR PINION 5 EME	CORONA DE 5a
11	M062	M062	M062	PIGNON LIBRE DE 4 EME	FREE PINION 4 EME	PIÑÓN DE 4a
12	M063	M063	M063	ROUE BALADEUSE DE 4 EME	FREE PINION 4 EME	CORONA DESPLAZABLE DE 4a
13	M064	M064	M064	RONDELLE CRENEAUX 20X24X1	GEAR WASHER 20X24X1	ARANDELA ESTRIADA 20X24X1
14	M065	M065	M065	DOUILLE ANTI FRICTION 1ERE	BUSH 1ERE	CASQUILLO ANTI-FRICCIÓN 1a
15	M066	M066	M066	DOUILLE ANTI FRICTION 2EME	BUSH 2 EME	CASQUILLO ANTI-FRICCIÓN 2a
16	M067	M067	M067	DOUILLE ANTI FRICTION 3EME	BUSH 3 EME	CASQUILLO ANTI-FRICCIÓN 3a
17	M068	M068	M068	SEGMENT ARRET SW 20	RETAINING SW 20	SEEGER SW 20
18	M069	M069	M069	SEGMENT ARRET SW 22	RETAINING SW 22	SEEGER SW 22
19	M070	M070	M070	RONDELLE INA ARBRE PRIMAIRE 15X28X1	THRUST WASHER 15X28X1	ARANDELA INA EJE PRIMARIO 15X28X1
20	M071	M071	M071	RONDELLE ARBRE SECONDAIRE 17X27X1	MAINSHAFT WASHER 17X27X1	ARANDELA EJE SECUNDARIO 17X27X1
21	M072	M072	M072	RONDELLE CRENEAU ARBRE SECONDAIRE 22X28X1	WASHER 22X28X1	ARANDELA ESTRIADA EJE SECUNDARIO 22X28X1
22	M073	M073	M073	RONDELLE ARBRE SECONDAIRE 20X27X1	MAINSHAFT WASHER 20X27X1	ARANDELA EJE SECUNDARIO 20X27X1
23	M074	M074	M074	ROULEMENT 20X47X14	BEARING 20X47X14	COJINETE 20X47X14
24	M075	M075	M075	ROULEMENT 20X47X14 2RSH	BEARING 20X47X14 2RSH	COJINETE 20X47X14 2RSH
25	M076	M076	M076	DOUILLE AIGUILLE 15X21X12	NEEDLE BEARING 15X21X12	CASQUILLO DE AGUJAS 15X21X12
26	M077	M077	M077	DOUILLE AIGUILLE HK1712B	NEEDLE BEARING 17X23X12	CASQUILLO DE AGUJAS 17X23X12
27	M078	M078	M078	JOINT DOUBLE LEVRE 20X30X7	OIL SEAL 20X30X7	RETÉN DOBLE LABIO 20X30X7
28	M350	M350	M350	SEGMENT ARRET WR 20 SORTIE BOITE	SEGMENT ARRET WR 20	SEGMENT ARRET WR 20
29	M060	M060	M060	PIGNON BALADEUR DE 5 EME	FREE PINION 5 EME	PIÑÓN LIBRE 5a

### Groupe carters / Crankcase assembly / Grupo cárter



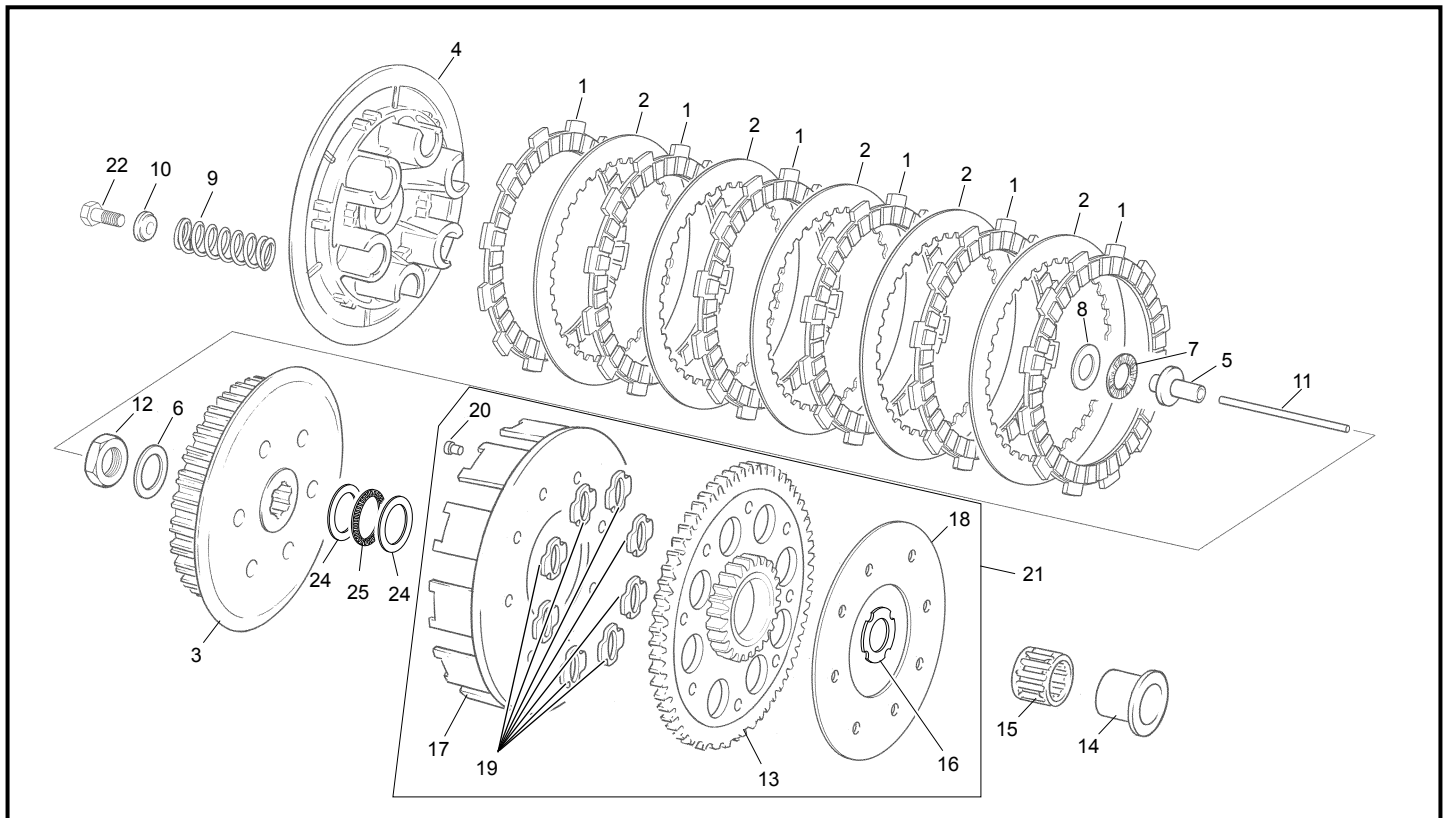
POS.	2.5	2.9	3.0	FRANÇAIS	ENGLISH	ESPAÑOL
1	3142	3142	3142	CARTER ALLUMAGE 09 NOIR	IGNITION COVER 09 BLACK	TAPA ENCENDIDO 09 NEGRA
2	3129	3129	3129	CARTERS CENTRAUX 125 TR 09 NOIR	CRANKCASES SET 125 TR 09	CÁRTERS CENTRALES 125 TR 09 NEGRO
3	3130	3130	3130	CARTER LATÉRAL DROITE NOIR TR	BOTTOM CLUTCH COVER BLACK TR	CÁRTER LATERAL DERECHO NEGRO TR
4	4438	4438	4438	COUVERCLE EMBRAYAGE TR NOIRE CABESTANY 2012	CLUTCH COVER TR BLACK CABESTANY 2012	TAPETA EMBRAGUE TR NEGRA CABESTANY 2012
5	4540	4540	4540	COUVERCLE POMPE EAU NOIRE TR	WATER PUMP COVER BLACK TR	TAPA BOMBA AGUA NEGRA TR
6	M016	M016	M016	RENIFLAR CARTER CENTRAL	AIR VENT CRANKCASES	DEPRESOR CARTERS
7	4544	4544	4544	BOUCHON REMPLISSAGE HUILE NOIR	CARTER FILTER TAP BLACK	TAPÓN LLENADO ACEITE CARTER NEGRO
8	M022	M022	M022	DOUILLE CENTRAGE CARTER	DOUILLE CENTRAGE CARTER	CASQUILLO CENTRADOR CARTER
9	M363	M363	M363	AXE POMPE EAU EVOLUTION 3	WATER PUMP AXELE EVOLUTION 3	EJE BOMBA AGUA EVOLUTION 3
10	M351	M351	M351	TURBINE POMPE EAU EVOLUTION 2	WATERPUMP TURBINE EVOLUTION 2	TURBINA BOMBA AGUA EVOLUTION 2
11	3133	3133	3133	JOINT TORIQUE COUVERCLE POMPE 37X2	O-RING WATER PUMP COVER 37X2	JUNTA TÓRICA TAPA BOMBA AGUA 37X2
12	3158	3158	3158	JOINT TORIQUE COUVERCLE ALLUMAGE 144X2	O-RING IGNITION COVER 144X2	JUNTA TÓRICA TAPA ENCENDIDO 144X2
13	3134	3134	3134	JOINT CARTER CENTRAL 125/200CC	CENTRAL CRANKCASE GASKET 125/200CC	JUNTA CARTER CENTRAL 125/200CC
14	3135	3135	3135	JOINT CARTER LATÉRAL	CLUTCH GASKET	JUNTA CARTER LATÉRAL
15	3141	3141	3141	JOINT TORIQUE 156 X2	O-RING 155X2	JUNTA TÓRICA 155X2
16	M162	M162	M162	TORIQUE 10X2.5 BOUCHON HUILE	O-RING 10X2.5 OIL PLUG	TÓRICA 10X2.5 TAPÓN ACEITE
17	M017	M017	M017	DURITE RENIFLARD 3X5	TUBE AIR VENT CRANKCASES 3X5	TUBO DEPRESOR 3X5
19	3128	3128	3128	JOINT DOUBLE LEVRES 17X24X5	OIL SEAL 17X24X5	RETÉN DOBLE LABIO 17X24X5
21	M364	M364	M364	PIGNON POMPE EAU NYLON	PIVOT WATER PUMP NYLON	PIÑÓN BOMBA AGUA NYLON
22	0549	0549	0549	VIS TH EP 6 X 45	SCREW TH EP 6 X 45	TORNILLO TH EP 6 X 45
23	3235	3235	3235	VIS TH EP 6 X 50	SCREW TH EP M6 X50	TORNILLO TH EP M6 X50
25	3269	3269	3269	VIS CHC 5 X 20 0084	SCREW CHC 5 X 20	TORNILLO 5 X 20 ALLEN
26	M291	M291	M291	GOUJON DE CYLINDRE 8 X 46	STUD CYLINDRE 8 X 46	ESPARRAGO CILINDRO 8 X 46
27	2386	2386	2386	BOUCHON CANALISATION HUILE 6X8	LUBRICATION CAP 6X8	TAPA CANALIZACIÓN 6X8
28	M029	M029	M029	ROULEMENT AIGUILLE POMPE EAU HK0808	WATER PUMP NEEDLE BEARING HK 0808	COJINETE AGUJAS BOMBA AGUA HK 0808
29	M030	M030	M030	RONDELLE BUTEE POMPE A EAU 8X16X1	WATERPUMP BUSH 8X16X1	ARANDELA BOMBA AGUA 8X16X1
30	M288	M288	M288	VIS CHC 5X6 1093	SCREW CHC 5X6	TORNILLO CHC 5X6
31	M027	M027	M027	ROULEMENT BILLE POMPE EAU 608.2RSH	WATER PUMP BEARING 608.2RSH	COJINETE BOMBA AGUA 608.2RSH
32	M031	M031	M031	JOINT POMPE A EAU 8X20X5DL	WATER PUMP SEAL 8X20X5DL	RETÉN BOMBA AGUA 8X20X5DL
33	3143	3143	3143	RACCORD DURITE CARTER RADIATEUR 11	WATER CONEXION 11	CONECTOR TUBO AGUA CÁRTER A RADIADOR 11
35	M277	M277	M277	RONDELLE ALU M5 0463 5X10	GASKET RING X5	ARANDELA ALUMINIO X5
36	0550	0550	0550	VIS TH EP 6 X 55	SCREW TH EP 6 X 55	TORNILLO TH EP 6 X 55
37	0970	0970	0970	VIS TH EP 6 X 25	SCREW TH EP M6 X 25	TORNILLO TH EP M6 X 25
38	0546	0546	0546	VIS TH EP 6 X 20	SCREW TH EP 6 X 20	TORNILLO TH EP 6 X 20
39	-----	-----	-----	RIVET CARTER CENTRAL CIRCUIT HUILE	CRANKCASE RIVET	REMACHE CÁRTER CENTRAL
40	2868	2868	2868	CONEXION PIPE ADMISION	CONEXION PIPE ADMISION	RACORD TOBERA CAJA LAMINAS

### Villebrequin assemble / Crankshaft assembly / Cigüeñal biela



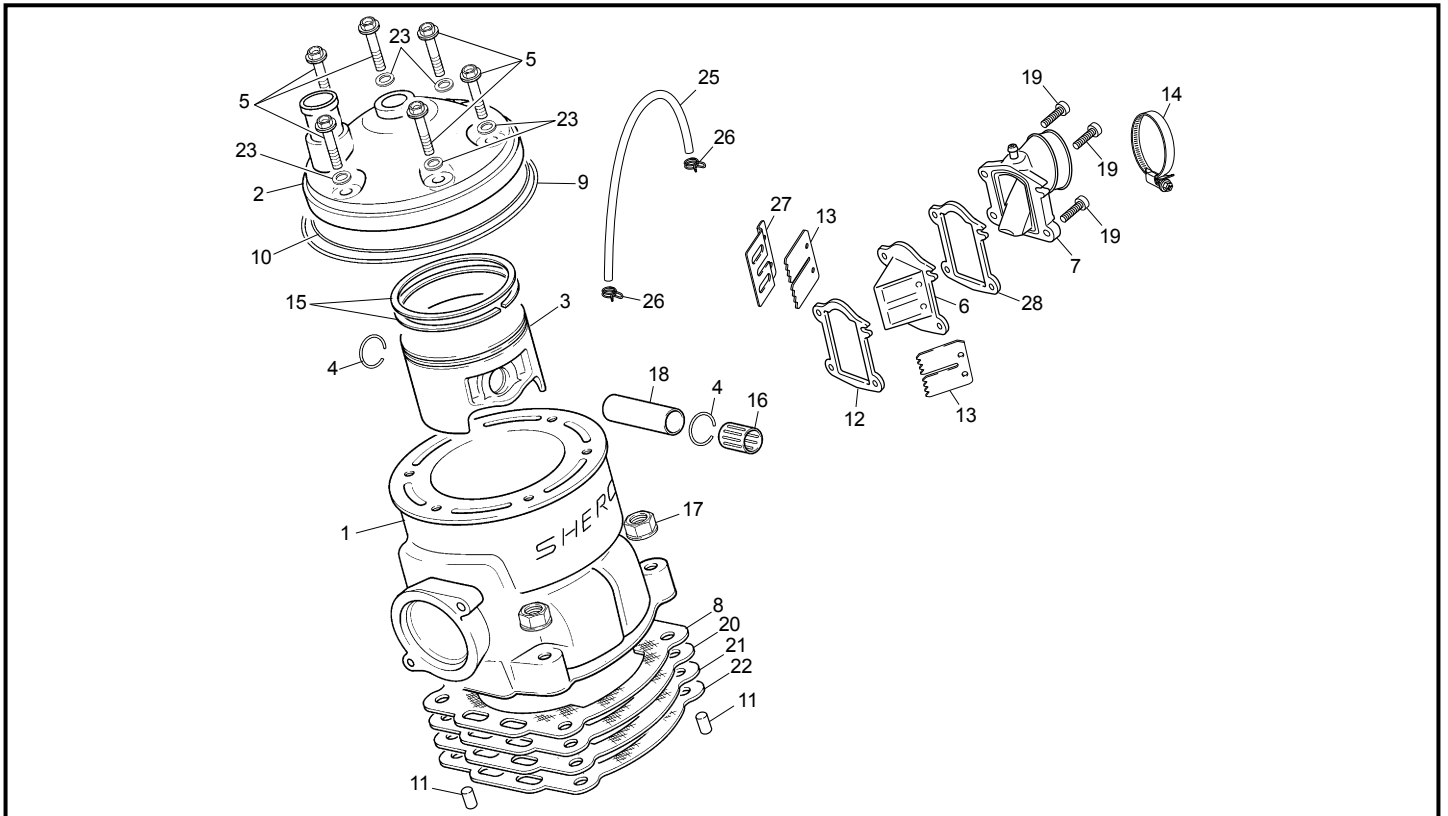
POS.	2.5	2.9	3.0	FRANÇAIS	ENGLISH	ESPAÑOL
1	3152	3152	3152	VILEBREQUIN COMPLET 125/200CC	CRANCK SHAFT 125/200CC	CIGUENAL COMPLETO 125/200CC
2	M200	M200	M200	PIGNON PRIMAIRE	PINION PRIMARY DRIVE	PIÑÓN PRIMARIA
3	M204	M204	M204	CLAVETTE PIGNON PRIMAIRE	WOODRUFF KEY PRIMARY DRIVE	CHAVETA PINON PRIMARIA
4	R021	R021	R021	KIT BIELLE 125/200	ROD KIT 125/200	KIT BIELA 125/200
5	MO23	MO23	MO23	CLAVETTE DEMI LUNE VILO	WOODRUFF KEY	CHAVETA ENCENDIDO
6	MO32	MO32	MO32	JOINT 25 X 35 X 7 DL VILO 125/200CC	CRANKSHAFT SEAL 125/200CC	RETÉN 25 X 35 X 7 DL CIGUE 125/200CC
7	MO28	MO28	MO28	ROULEMENT 6205 2RSHTN9/C4 VILO 125/200CC	CRANKSHAFT BEARING 125/200CC	RODAMIENTO CIGUENAL 125/200CC
8	M206	M206	M206	RONDELLE BELLEVILLE 14.2X28X1.5 REF0887	SPRING WASHER	ARANDELA CÓNICA 14.2,28X1.5
9	M295	M295	M295	ECROU 14 X 125	HEX NUT M14 X 125	TUERCA M14 X 125
10	C309	C309	C309	BOUCHON PLASTIC DE VILO 2002	HANDCRAFT PLASTIC PLUG 2001	TAPÓN INTERNO DE CIGUENAL 2001
11	3144	3144	3144	ECROU 14 X 125	HEX NUT M14 X 125	TUERCA M14 X 125

### Embrayage / Clutch / Embrague



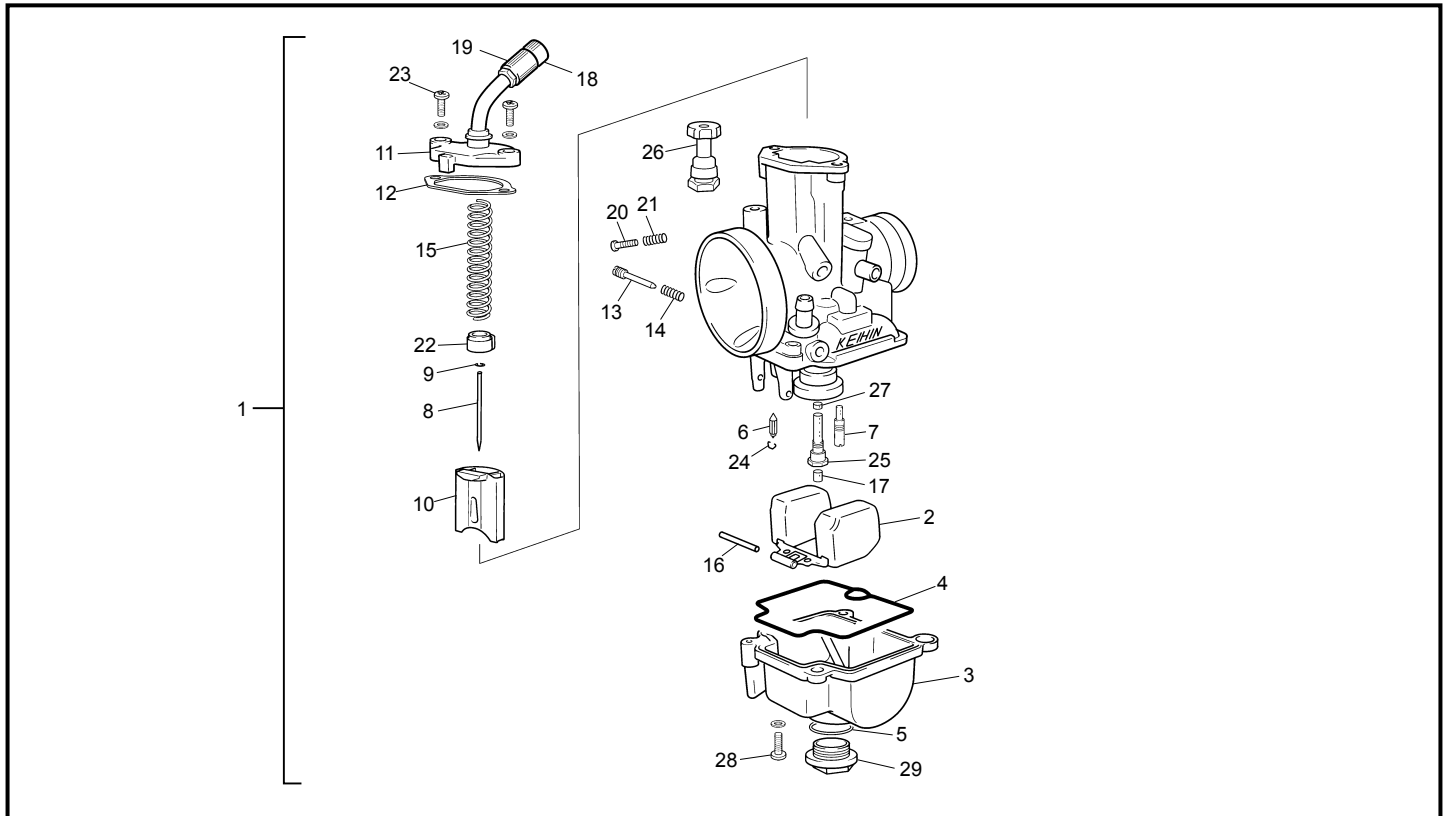
POS.	2.5	2.9	3.0	FRANÇAIS	ENGLISH	ESPAÑOL
1	M080	M080	M080	DISQUE GARNI	FRICTION CLUTCH DISK	DISCO EMBRAGUE FORRADO
2	M081	M081	M081	DISQUE LISSE	METAL CLUTCH DISK	DISCO EMBRAGUE METALICO
3	4100	4100	4100	NOYAU POUR ROULEMENT	CLUTCH HUB FOR BEARING	CUBO EMBRAGUE PARA RODAMIENTO
4	M084	M084	M084	PLATEAU	CLUTCH SPRING HOLDER	PLATO EMBRAGUE
5	M085	M085	M085	POUSSOIR AXIAL	CLUTCH PULLER	PULSADOR AXIAL
6	M087	M087	M087	RONDELLE BELLEVILLE 16.3X31.5X2	FIXING BUSH 16.3X31.5X1.5	ARANDELA FIJACION 16.3X31.5X1.5
7	M090	M090	M090	BUTEE AIGUILLE EMBAXK1226A	CLUTCH BEARING	CORONA AXIAL AGUJAS AXK1226A
8	M091	M091	M091	RONDELLE BUTEE AS12.26.1	WASHER AS 12.26.1	ARANDELA AS 12.26.1
9	M092	M092	M092	RESSORT EMB	CLUTCH SPRING	MUELLE EMBRAGUE
10	M093	M093	M093	RONDELLE EMB	CLUTCH WASHER FOR SPRING	ARANDELA EMBRAGUE EMBOUTIDA
11	M086	M086	M086	TIGE DE POUSSEE	CLUTCH SPINDLE	VARILLA EMBRAGUE
12	M293	M293	M293	ECROU NOYAU EMB M16X125	HEX NUT CLUTCH M16X125	TUERCA CUBO EMBRAGUE M16 X125
13	M201	M201	M201	ROUE PRIMAIRE	WHEEL PRIMARY DRIVE	RUEDA PRIMARIA
14	M203	M203	M203	DOUILLE ROUE PRIMAIRE	SPACER PRIMARY DRIVE	CASQUILLO RUEDA PRIMARIA
15	M205	M205	M205	CAGE A AIGUILLE 25X33X24	NEEDLE BEARING 25X33X24	JAULA AGUJAS 25X33X24
16	4259	4259	4259	RONDELLE CANELE 20.2 X 32 X 1	WASHER SPECIAL 20.2 X 32 X 1	ARANDELA ACANALADA 20.2 X 32 X 1
17	4099	4099	4099	ROUE TRANS PRIMAIRE ASSEMBLE AVEC ROULEMENT	PRIMARY DRIVE CLUTCH WITH BEARING	CTO. RUEDA DE TRANS. PRIMARIA CON RODAMIENTO
18	M359	M359	M359	PLATEAU METAL TP	STEEL DISK CLUTCH	DISCO ACERO EMBRAGUE
19	M358	M358	M358	SILENBLOC EMBRAYAGE	CLUTCH SILENBLOC	SILENBLOC EMBRAGUE
20	M270	M270	M270	RIVET 4 X 16	RIVET 4 X 16	REMACHE 4 X 16
21	M360	M360	M360	ROUE TRANS PRIMAIRE ASSEMBLE 2001	PRIMARY DRIVE CLUTCH 2001	CTO. RUEDA DE TRANSMISION PRIMARIA 2001
22	M094	M094	M094	VIS EMB	SCREW CLUTCH SPRING	TORNILLOS MUELLE EMBRAGUE
24	4257	4257	4257	RONDELLE INA AS 35.3 X 56.7 X 1 UNIDAD	WASHER INA AS 35.3 X 56.7 X 1 UNITARY	ARANDELA INA AS 35.3 X 56.7 X 1 UNITAIRE
25	4258	4258	4258	ROULEMENT AIGUILLE AXIAL AXK 3552	CON ROD NEEDLE AXIAL AXK 3552	COJINETE AGUJAS AXIAL AXK 3552

### Cylindre / Cylinder / Cilindro

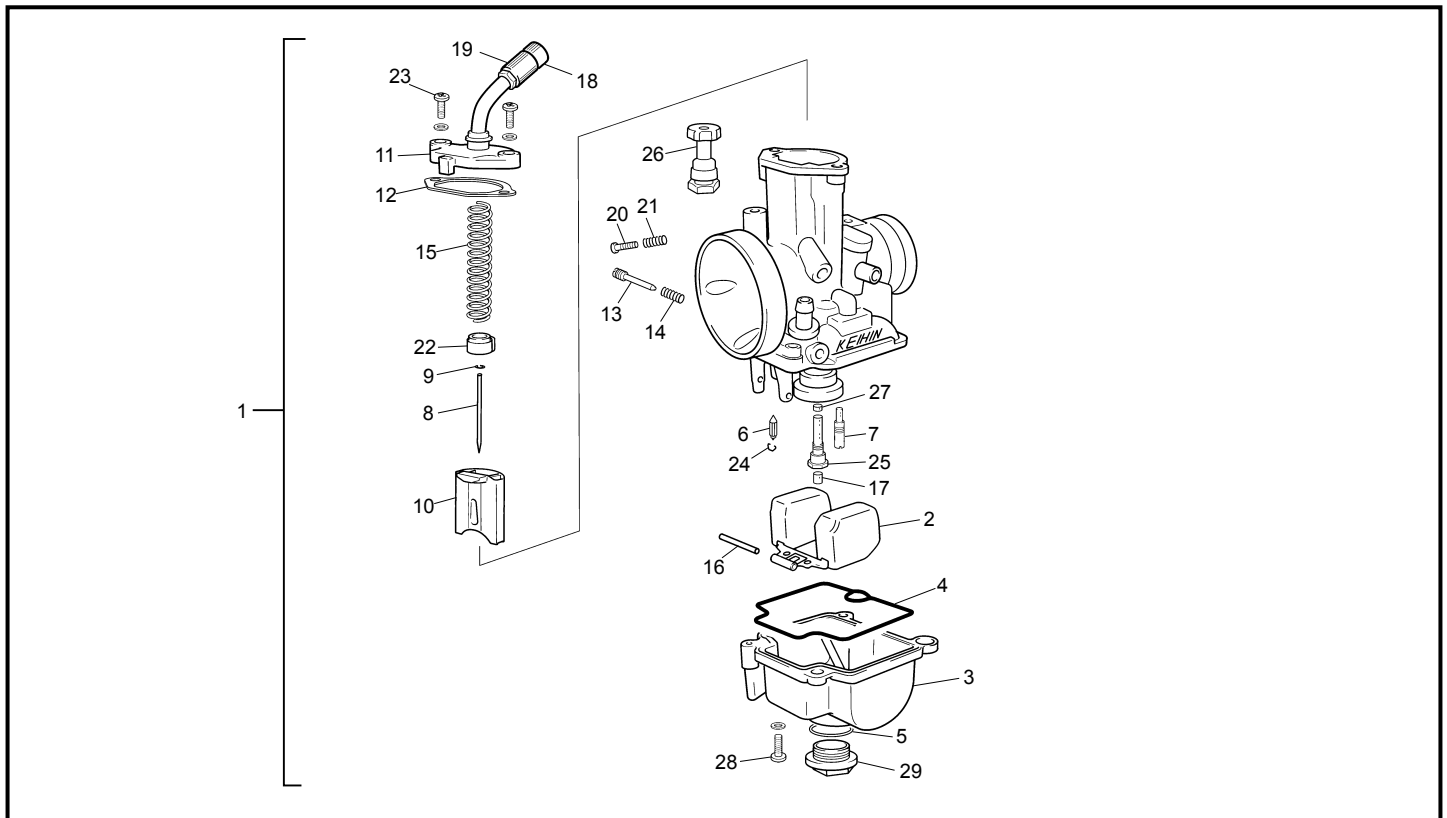


POS.	2.5	2.9	3.0	FRANÇAIS	ENGLISH	ESPAÑOL
1	3123	3138	3217	CYLINDRE	CYLINDER	CILINDRO
2	4600	4546	4604	CULASSE	CYLINDER	CULATA
3	M009	4739	3218	PISTON CPL TR -A-	PISTON CPL TR -A-	PISTÓN CPL TRIAL -A-
3	M586	M589	3339	PISTON CPL TR -B-	PISTON CPL TR -B-	PISTÓN CPL TRIAL -B-
3	M587	M590	----	PISTON CPL TR -C-	PISTON CPL TR -C-	PISTÓN CPL TRIAL -C-
3	M588	M591	----	PISTON CPL TR -D-	PISTON CPL TR -D-	PISTÓN CPL TRIAL -D-
4	R218	R218	R218	CIRCLIP PISTON	PISTON CIRCLIP	SERCLIP PISTÓN
5	0547	0547	0547	VIS TH EP 6 X 30	SCREW TH EP 6 X 30	TORNILLO TH EP 6 X 30
6	3125	3125	3125	BOITE CLAPET 80 -125 TRIAL	REEDS CASE 80-125 TRIAL	CAJA LAMINAS 80-125 TRIAL
7	3154	3593	3593	PIPE ADMISSION	ADMISSION PIPE	TUBERA ADMISIÓN
8	3025	3025	3025	JOINT EMBASE CYLINDRE 125/200CC	CYLINDER GASKET 125/200CC	JUNTA CILINDRO 125/200CC
9	M038	M038	M038	JOINT TORIQUE CULASSE 105 X 109 X 2 VITON	CYLINDER HEAD O-RING 105 X 109 X 2 VITON	JUNTA TÓRICA CULATA 105 X 109 X 2 VITON
10	M039	M039	M039	JOINT TORIQUE CULASSE 80 X 84 X 2 VITON	CYLINDER HEAD O-RING 80 X 84 X 2 VITON	JUNTA TÓRICA CULATA 80 X 84 X 2 VITON
11	0200	0200	0200	JOINT TORIQUE CYLINDRE 5,60 X 9,20 X 1,80	CYLINDER O-RING BOLT 5,60 X 9,20 X 1,80	JUNTA TÓRICA CILINDRO 5,60 X 9,20 X 1,80
12	5045	5045	5045	JOINT BOITE CLAPET NRB 2mm	REEDS CASE GASKET NRB 2mm	JUNTA CAJA LAMINAS NRB 2mm
13	R022	R022	R022	CLAPET ADMISSION 80 TRIAL	ADMISSION CLAPET 80 TRIAL	LAMINAS ADMISIÓN 80 TRIAL
14	3287	3287	3287	COLLIER NORMA 32/50	COLLARD NORMA 32/50	ABRAZADERA NORMA 32/50
15	R442	R215	R215	JEUX SEGMENTS	PISTON RINGS -SET-	JUEGO AROS
16	M248	M248	M248	CAGE AIGUILLE PISTON 125 KBK 16X20X20	NEEDLE BEARING KBK 125 16X20X20	JAULA AGUJAS PIÑÓN 125 KBK 16X20X20
17	M272	M272	M272	ECROU EMBASE X8 0692	COLLAR HEX NUT M8	TUERCA CON VÁLVULA M8
18	R013	R221	R221	AXE PISTON	PISTON PIN	BULÓN PIÑÓN
19	3269	3269	3269	VIS CHC 6 X 20 0084	SCREW CHC 6 X 20	TORNILLO 6 X 20 DIN 912
20	3189	3189	3189	JOINT EMBASE CYLINDRE 0,20. 125/200CC	CYLINDER GASKET 0,20. 125/200CC	JUNTA CILINDRO 0,20. 125/200CC
21	3190	3190	3190	JOINT EMBASE CYLINDRE 0,30. 125/200CC	CYLINDER GASKET 0,30. 125/200CC	JUNTA CILINDRO 0,30. 125/200CC
22	3191	3191	3191	JOINT EMBASE CYLINDRE 0,40 125/200CC	CYLINDER GASKET 0,40 125/200CC	JUNTA CILINDRO 0,40 125/200CC
23	2390	2390	2390	RONDELLE CUIVRE 6X12X1,5	WASHER COOPER 6X12X1,5	ARANDELA COBRE 6X12X1,5
25	4408	4408	4408	DURITE IMPULSION POMPE	RUBBER IMPULSION POMP	MANGUITO PULSACIÓN BOMBA
26	2846	2846	2846	COLLIER DURITE ESSENCE	COLLARD PETROL PIPE	ABRAZADERA TUBO GASOLINA
27	3394	3394	3394	RAYON L.MINI 35.5X3.5 COTE COURONE NOIR	SPOCKE L.MINI 35.5X3.5 SIDE TRANS BLACK	RÁDIO L.MINI 35.5X3.5 LADO CORONA NEGRO
28	NEW	NEW	NEW	JOINT BOITE CLAPET	REEDS CASE GASKET	JUNTA CAJA LAMINAS

## Carburateur / Carburetor / Carburador KEIHIN

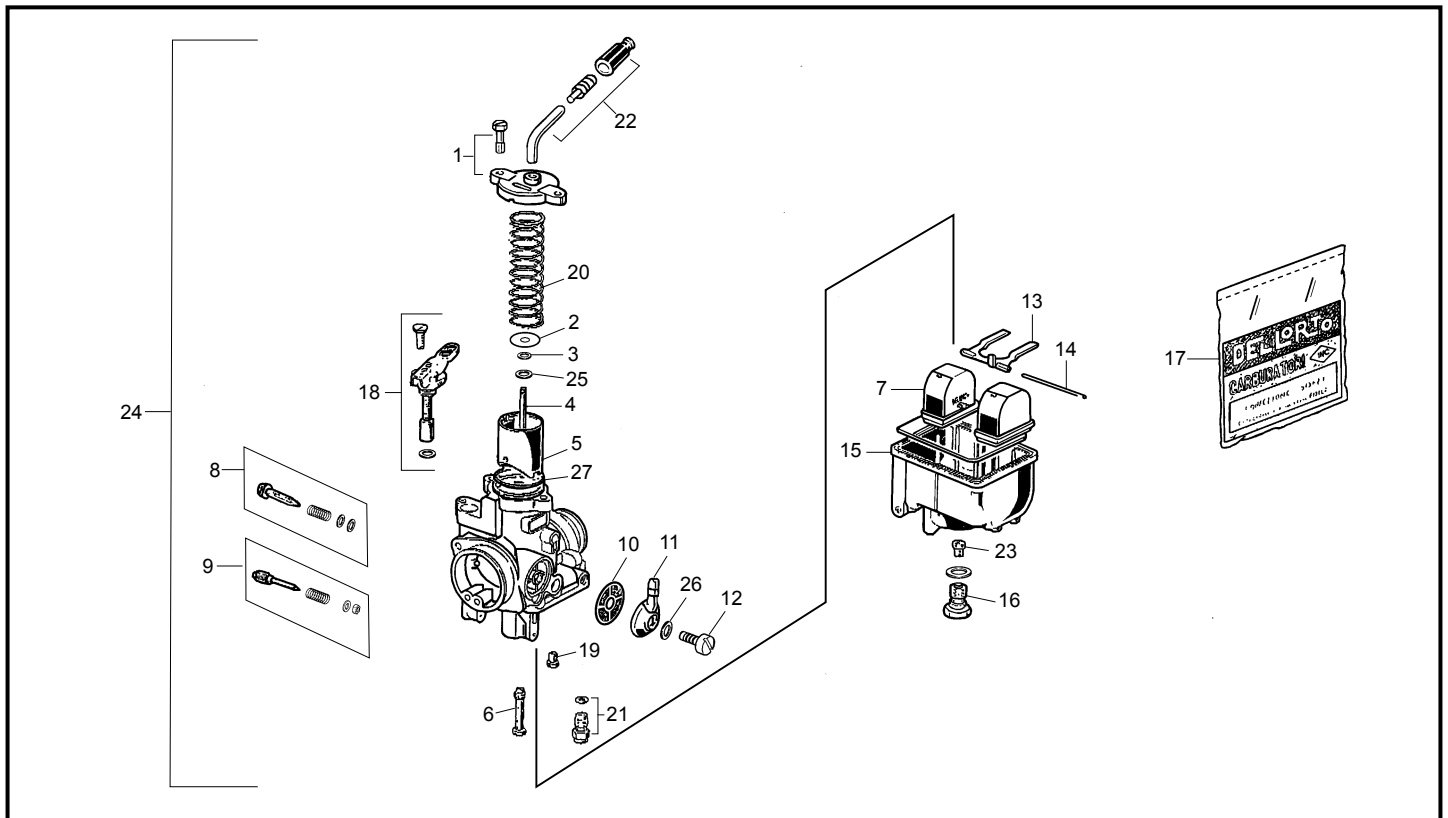


POS.	2.5	2.9	3.0	FRANÇAIS	ENGLISH	ESPAÑOL
1	----	1123	1123	CARBURATEUR KEIHIN TRIAL 2T	CARBURETOR KEIHIN TRIAL 2T	CARBURADOR KEIHIN TRIAL 2T
2	----	1330	1330	FLOTEUR DE CARBU KEIHIN	CARBURATOR FLOTEUR KEIHIN	BOYA CARBURADOR KEIHIN
3	----	1331	1331	CUVE CARBURATEUR KEIHIN	CARBURATOR CUVE KEIHIN	CUBA CARBURADOR KEIHIN
4	----	1333	1333	VIS FIXATION CUVE KEIHIN	SCREW FIXATION CUVE KEIHIN	TORNILLO CUBA CARBURADOR KEIHIN
5	----	1334	1334	JOINT TORIQUE CUVE	O-RING FLOAT	TÓRICA CUBETA
6	----	1335	1335	POINTEAU CARBU KEIHIN	POINTEAU CARBU KEIHIN	VÁLVULA AGUJA KEIHIN
7	----	1327	1327	GICLEUR RALENTI 50 KEIHIN	PILOT JET 50 KEIHIN	CHICLE RALENTÍ 50 KEIHIN
7	----	1336	1336	GICLEUR RALENTI 45 KEIHIN	PILOT JET 45 KEIHIN	CHICLE RALENTÍ 45KEIHIN
7	----	1337	1337	GICLEUR RALENTI 52 KEIHIN	PILOT JET 52 KEIHIN	CHICLE RALENTÍ 52 KEIHIN
7	----	1338	1338	GICLEUR RALENTI 55 KEIHIN	PILOT JET 55 KEIHIN	CHICLE RALENTÍ 55 KEIHIN
7	----	1339	1339	GICLEUR RALENTI 48 KEIHIN	PILOT JET 48 KEIHIN	CHICLE RALENTÍ 48 KEIHIN
7	----	1403	1403	GICLEUR RALENTI 42 KEIHIN	PILOT JET 42 KEIHIN	CHICLE RALENTÍ 42 KEIHIN
8	----	1340	1340	AIGUILLE CARBU KEIHIN JFH	AIGUILLE CARBU JFH	AGUJA CARBURADOR JFH
8	----	1341	1341	AIGUILLE CARBU KEIHIN JJH	AIGUILLE CARBU JJH	AGUJA CARBURADOR JJH
9	----	1342	1342	CLIP AIGUILLE CARBU KEIHIN	CLIP AIGUILLE CARBU KEIHIN	CLIP AGUJA CARBURADOR KEIHIN
10	----	1326	1326	BOISSEAU KEIHIN 3,5	CARBURATOR VALVE KEIHIN 3,5	CAMPANA KEIHIN 3,5
10	----	1343	1343	BOISSEAU KEIHIN 4,0	CARBURATOR VALVE KEIHIN 4,0	CAMPANA KEIHIN 4.0
11	----	1344	1344	COUVERCLE BOISSEAU KEIHIN	CARBURATOR COVER KEIHIN	TAPA CARBURADOR KEIHIN
12	----	1345	1345	COUVERCLE BOISSEAU GASKETKEIHIN	JOINT COVER KEIHIN	JUNTA TAPA CARBURADOR KEIHIN
13	----	1346	1346	VIS REGUL ESSENCE CARBU KEIHIN	SCREW REGUL PETROL CARBU KEIHIN	TORNILLO AIRE KEIHIN
14	----	1347	1347	RESSORT VIS ESSENCE CARBU KEIHIN	SPRING SCREW REGUL PETROL CARBU KEIHIN	MUELLE TORNILLO AIRE KEIHIN
15	----	1348	1348	RESSORT CARBURATEUR 82 X 12,8 SPS	SPRING CARBURATOR 82 X 12,8 SPS	MUELLE CARBURADOR 82 X 12,8 SPS
16	----	1351	1351	AXE BALANCIER FLOTEUR CARBU KEIHIN	PIN BALANCIER FLOTEUR CARBU KEIHIN	EJE BALANCIER FLOTADOR CARBU KEIHIN
17	----	1248	1248	GICLEUR PRINCIPAL 122KEIHIN	MAIN JET 122 KEIHIN	CHICLE PRINCIPAL 122 KEIHIN
17	----	1347	1347	RESSORT VIS ESSENCE CARBU KEIHIN	SPRING SCREW REGUL PETROL CARBU KEIHIN	MUELLE TORNILLO AIRE KEIHIN
17	----	1352	1352	GICLEUR PRINCIPAL 118 KEIHIN	MAIN JET 118 KEIHIN	CHICLE PRINCIPAL 118 KEIHIN
17	----	1353	1353	GICLEUR PRINCIPAL 120KEIHIN	MAIN JET 120 KEIHIN	CHICLE PRINCIPAL 120 KEIHIN
17	----	1402	1402	GICLEUR PRINCIPAL 115 KEIHIN	MAIN JET 115 KEIHIN	CHICLE PRINCIPAL 115KEIHIN
18	----	1354	1354	ADAPTE CÂBLE KEIHIN	CABLE ADJUSTING BOLT KEIHIN	AJUSTE CABLE GAS KEIHIN
19	----	1355	1355	ECROU ADAPTE CÂBLE KEIHIN	NUT CABLE ADJUSTING BOLT KEIHIN	TUERCA AJUSTE CABLE GAS KEIHIN
20	----	1356	1356	VIS REGUL GAS CARBU KEIHIN	KIT SCREW REGUL GAS KEIHIN	TORNILLO RALENTÍ KEIHIN
21	----	1357	1357	RESSORT VIS REGUL GAS CARBU KEIHIN	SPRING SCREW REGUL GAS KEIHIN	MUELLE TORNILLO RALENTI KEIHIN
22	----	1358	1358	DOUILLE NYLON RESOT GAZ	FOOTREST NYLON GAS	CASQUILLO NYLON MUELLE KEIHIN
23	----	1359	1359	VIS FIXATION COUVERCLE BOISSEUR KEIHIN	SCRE COVER KEIHIN	TORNILLO FIJACIÓN TAPA CAMPANA KEIHIN

**Carburateur / Carburetor / Carburador KEIHIN**


POS.	2.5	2.9	3.0	FRANÇAIS	ENGLISH	ESPAÑOL
24	----	1349	1349	CLIP VALVE KEIHIN	CLIP FLOAT VALVE KEIHIN	CLIP VÁLVULA KEIHIN
25	----	1360	1360	NEEDLE JET KEIHIN	NEEDLE JET KEIHIN	NEEDLE JET KEIHIN
26	----	1329	1329	GROUPE STARTER KEIHIN	CHOKE SET REPLACEMENT KEIHIN	CTO. STARTER RECAMBIO KEIHIN
27	----	1361	1361	NEEDLE JET HOLDER KEIHIN	NEEDLE JET HOLDER KEIHIN	NEEDLE JET HOLDER KEIHIN
28	----	1350	1350	VIS FIXATION CUVE KEIHIN	SCRE W/FLOT KHEIHIN	TORNILLO FIJACIÓN CUBA KEIHIN
29	----	1332	1332	JOINT CUVE CARBURETOR KEIHIN	FLOT CHAMBER GASKET	JUNTA CUBA CARBURADOR KEIHIN

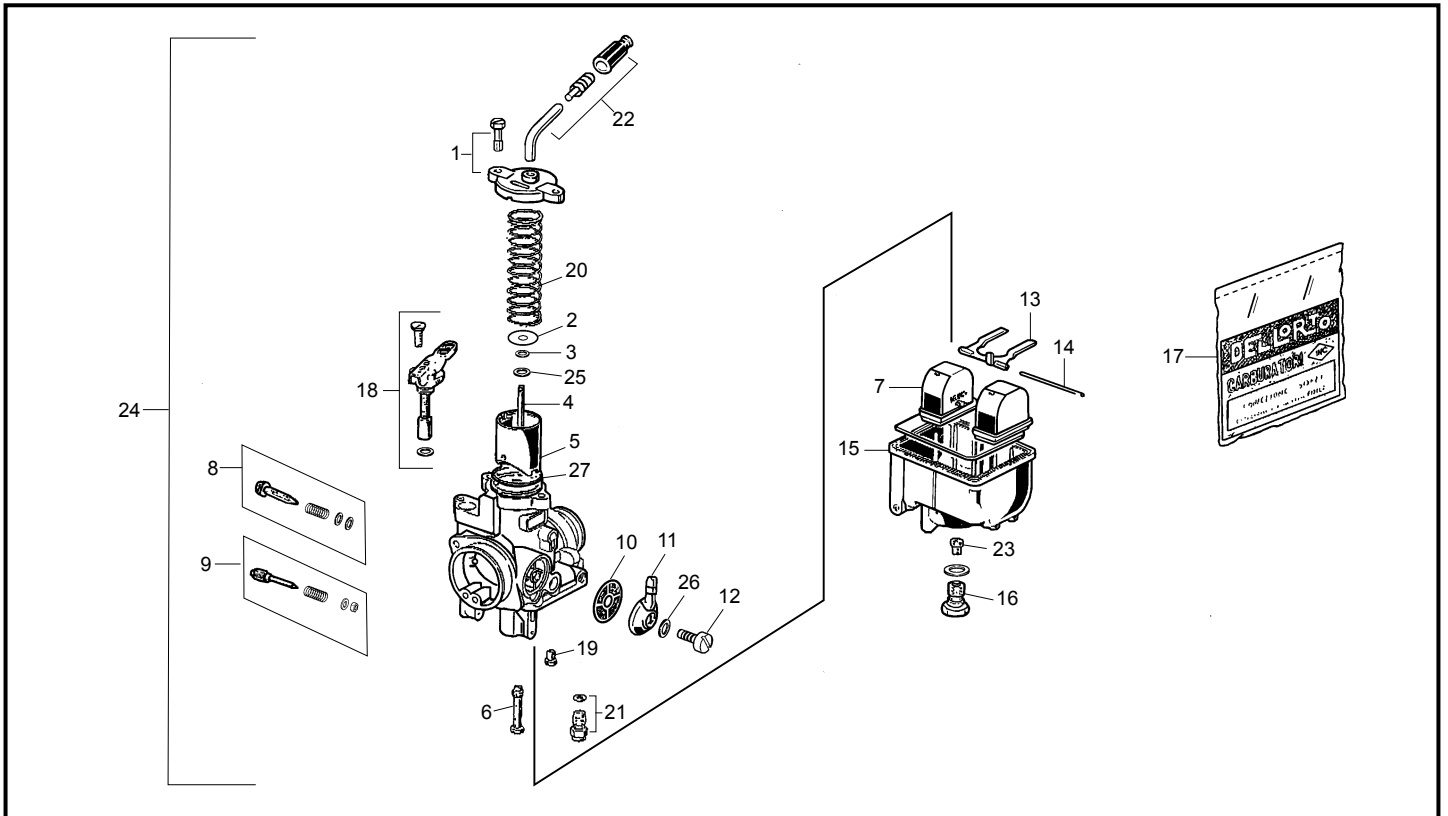
### Carburateur / Carburetor / Carburador Ø26



POS.	2.5	2.9	3.0	FRANÇAIS	ENGLISH	ESPAÑOL
1	R369	----	----	KIT COUVERCLE BOISSEAU	CARBURATOR COVER	TAPA CARBURADOR
2	R370	----	----	PLATINE DE RESSORT CARBU	CARBURATOR WASHER SPRING	ARANDELA TOPE AGUJA
3	R371	----	----	CLIP AIGUILLE CARBU	CLIP AIGUILLE CARBU	CLIP AGUJA CARBURADOR
4	R372	----	----	AIGUILLE CARBU	AIGUILLE CARBU	AGUJA CARBURADOR
5	R373	----	----	BOISSEAU	CARBURATOR VALVE	CAMPANA
6	R374	----	----	PULVERISATEUR CARBU 270	CARBURATOR PULVERISATEUR 270	PULVERIZADOR CARBURADOR 270
7	R375	----	----	FLOTEUR DE CARBU	CARBURATOR FLOTEUR	BOYA CARBURADOR
8	R376	----	----	KIT VIS REGUL GAS CARBU	KIT SCREW REGUL GAS	TORNILLO RALENTÍ
9	R377	----	----	KIT VIS REGUL ESSENCE CARBU	SCREW REGUL PETROL CARBU	TORNILLO AIRE
10	R378	----	----	FILTRE ESS CARBU	PETROL FILTER CARBU	FILTRO GASOLINA CARBURADOR
11	R379	----	----	PIPETTE RACCORD TUBE ESS CARBU	CARBURATOR CONEXION PETROL TUB	PIPETA TUBO GASOLINA CARBURADOR
12	R380	----	----	VIS PIPETTE CARBU	SCREW CONEXION PETROL TUB	TORNILLO PIPETA
13	R381	----	----	BALANCIER DE FLOTEUR CARBU COMPATIBLE	BALANCIER FLOTEUR CARBU COMPATIBLE	BALANCIÓN BOYA CARBURADOR COMPATIBLE
14	R382	----	----	AXE BALANCIER FLOTEUR CARBU	PIN BALANCIER FLOTEUR CARBU	EJE BALANCIÓN FLOTADOR CARBURADOR
15	R383	----	----	CUVE CARBURATEUR	CARBURATORCUVE	CUBA CARBURADOR
16	R384	----	----	VIS FIXATION CUVE	SCREW FIXATION CUVE	TORNILLO CUBA CARBURADOR
17	R385	----	----	OBSOLETO VER R169 KIT JOINT CARBURATEUR 4T	CARBURATOR KIT SEEL 4T	KIT JUNTAS CARBURADOR 4T
18	R147	----	----	GROUPE STARTER	CHOKE SET REPLACEMENT	CTO. STÁRTER RECAMBIO
19	R140	----	----	GICLEUR RALENTI 30	PILOT JET 30	CHICLE RALENTÍ 30
19	R142	----	----	GICLEUR RALENTI 32	PILOT JET 32	CHICLE RALENTÍ 32
19	R143	----	----	GICLEUR RALENTI 33	PILOT JET33	CHICLE RALENTÍ 33
19	R144	----	----	GICLEUR RALENTI 34	PILOT JET 34	CHICLE RALENTÍ 34
19	R145	----	----	GICLEUR RALENTI 35	PILOT JET 35	CHICLE RALENTÍ 35
19	R146	----	----	GICLEUR RALENTI 36	PILOT JET 36	CHICLE RALENTÍ 36
20	M044	----	----	RESSORT CARBURATEUR	SPRING CARBURETOR	MUELLE CARBURADOR
21	2389	----	----	POINTEAU CARBU 33	POINTEAU CARBU 33	VÁLVULA AGUJA 33
22	R237	----	----	KIT TUBE CARBURATEUR	KIT TUB CARBURATEUR	CURVA GUÍA CABLE
23	R120	----	----	GICLEUR PRINCIPAL 120	MAIN JET 120	CHICLE PRINCIPAL 120
23	R121	----	----	GICLEUR PRINCIPAL 121	MAIN JET 121	CHICLE PRINCIPAL 121
23	R122	----	----	GICLEUR PRINCIPAL 122	MAIN JET 122	CHICLE PRINCIPAL 122
23	R123	----	----	GICLEUR PRINCIPAL 123	MAIN JET 123	CHICLE PRINCIPAL 123
23	R124	----	----	GICLEUR PRINCIPAL 124	MAIN JET 124	CHICLE PRINCIPAL 124
23	R125	----	----	GICLEUR PRINCIPAL 125	MAIN JET 125	CHICLE PRINCIPAL 125
23	R126	----	----	GICLEUR PRINCIPAL 126	MAIN JET 126	CHICLE PRINCIPAL 126



### Carburateur / Carburetor / Carburador Ø26



POS.	2.5	2.9	3.0	FRANÇAIS	ENGLISH	ESPAÑOL
23	R127	-----	-----	GICLEUR PRINCIPAL 127	MAIN JET 127	CHICLE PRINCIPAL 127
23	R128	-----	-----	GICLEUR PRINCIPAL 128	MAIN JET 128	CHICLE PRINCIPAL 128
23	R129	-----	-----	GICLEUR PRINCIPAL 129	MAIN JET 129	CHICLE PRINCIPAL 129
23	R130	-----	-----	GICLEUR PRINCIPAL 130	MAIN JET 130	CHICLE PRINCIPAL 130
24	3020	-----	-----	CARBURATEUR COMPLET PHBL26BS 250 2010	A CARBURETOR COMPLETE PHBL26BS 250 2010	CARBURADOR COMPLETO PHBL26BS 250 2010
25	1251	-----	-----	RONDELLE AIGUILLE CARBU 2.9 3X6X0,50	WASHER PLAINCARBU 2.9 3X6X0,50	ARANDELA AGUJA CARBURADOR 2.9 3X6X0,50
26	4000	-----	-----	RONDELLE PAPIER 6 X 10 X 1	WASHER PAPER 6 X 10 X 1	ARANDELA PAPEL 6 X 10 X 1
27	4006	-----	-----	JOINT TORIQUE 27.5X31.5X2 NBR	O-RING 27.5X31.5X2 NBR	JUNTA TÓRICA 27.5X31.5X2 NBR

# SHERCO

Motorcycles



PLAY WITH GRAVITY

2014

SHERCO  
[www.sherco.com](http://www.sherco.com)