

Spare part's book **2012**
2.9

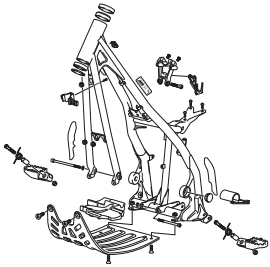
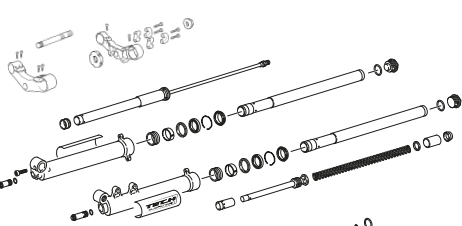
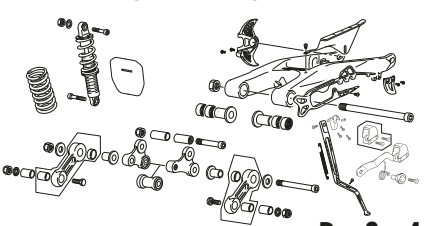
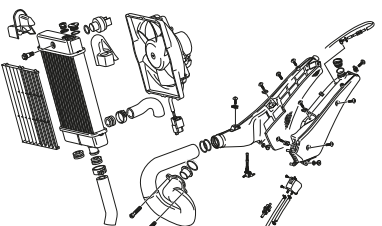
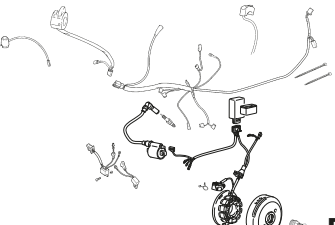
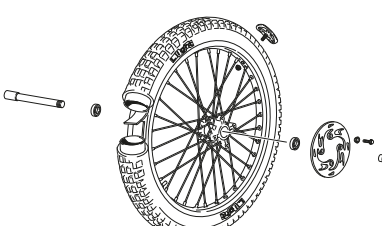
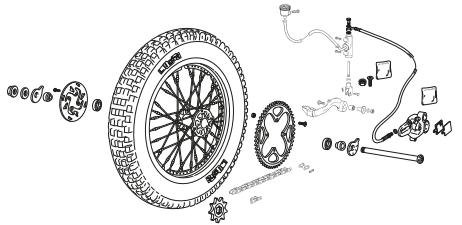
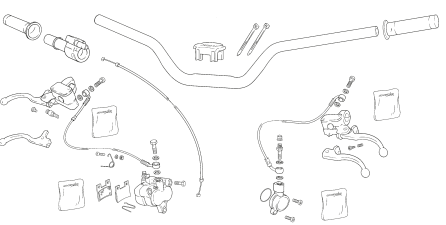
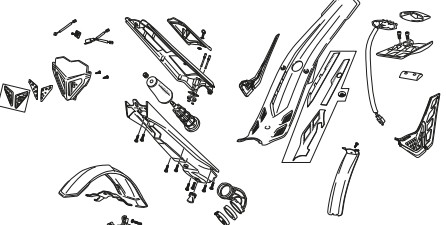
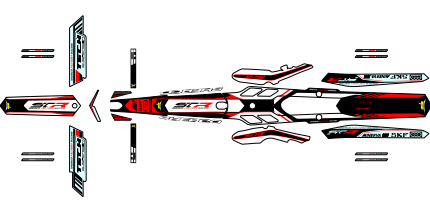
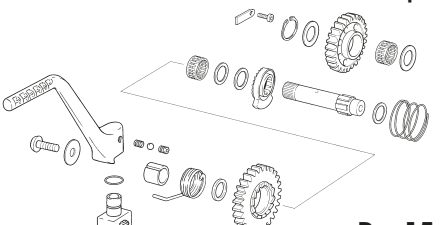
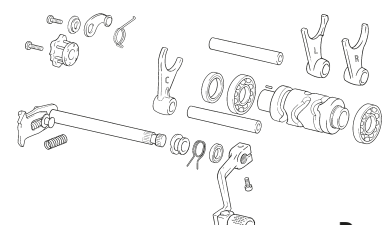
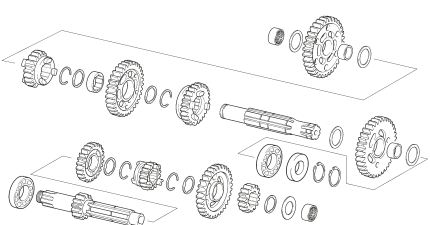
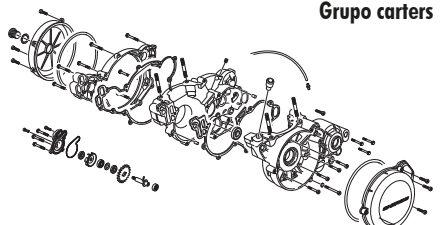
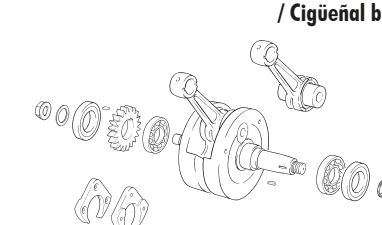
2T Trial



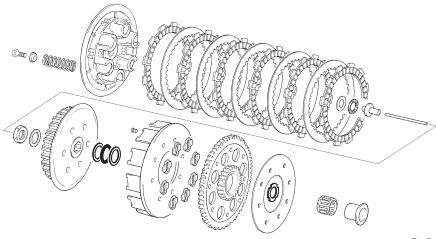
SHERCO
Motorcycles

Albert
Calbestany
SHERCO **FACTORY RACING**

Index / Index / Índice

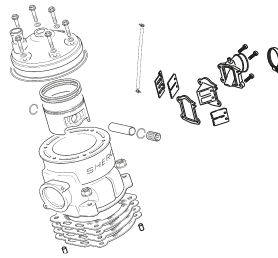
<p>1 Cadre / Frame / Chasis</p>  <p>Pg. 1</p>	<p>2 Fourche / Fork / Horquilla</p>  <p>Pg. 2</p>	<p>3 Amortisseur - Bras oscillant / Rear Shock - Swingarm / Amortiguador - Basculante</p>  <p>Pg. 3 - 4</p>
<p>4 Radiateur / Radiator / Radiador</p>  <p>Pg. 5 - 6</p>	<p>5 Faisceau électrique / Electrical system / Instalación eléctrica</p>  <p>Pg. 7</p>	<p>6 Roue avant / Front wheel / Rueda delantera</p>  <p>Pg. 8</p>
<p>7 Roue arriere / Rear wheel / Rueda trasera</p>  <p>Pg. 9 - 10</p>	<p>8 Guidon / Handlebar / Manillar</p>  <p>Pg. 11</p>	<p>9 Plastiques / Plastics / Plásticos</p>  <p>Pg. 12 - 13</p>
<p>10 Adhesif / Stiker / Adhesivos</p>  <p>Pg. 14</p>	<p>11 Lanceur / Kickstarter assembly / Pedal arranque</p>  <p>Pg. 15</p>	<p>12 Selecteur / Gear selector group / Selector cambio</p>  <p>Pg. 16</p>
<p>13 Boite a vitesses / Gear set / Cambio</p>  <p>Pg. 17</p>	<p>14 Groupe carters / Crankcase assembly / Grupo carters</p>  <p>Pg. 18</p>	<p>15 Villebrequin assemble / Crankshaft assembly / Cigüeñal biela</p>  <p>Pg. 19</p>

16 Embrayage / Clutch / Embrague



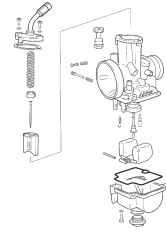
Pg. 20

17 Cylindre / Cylinder / Cilindro



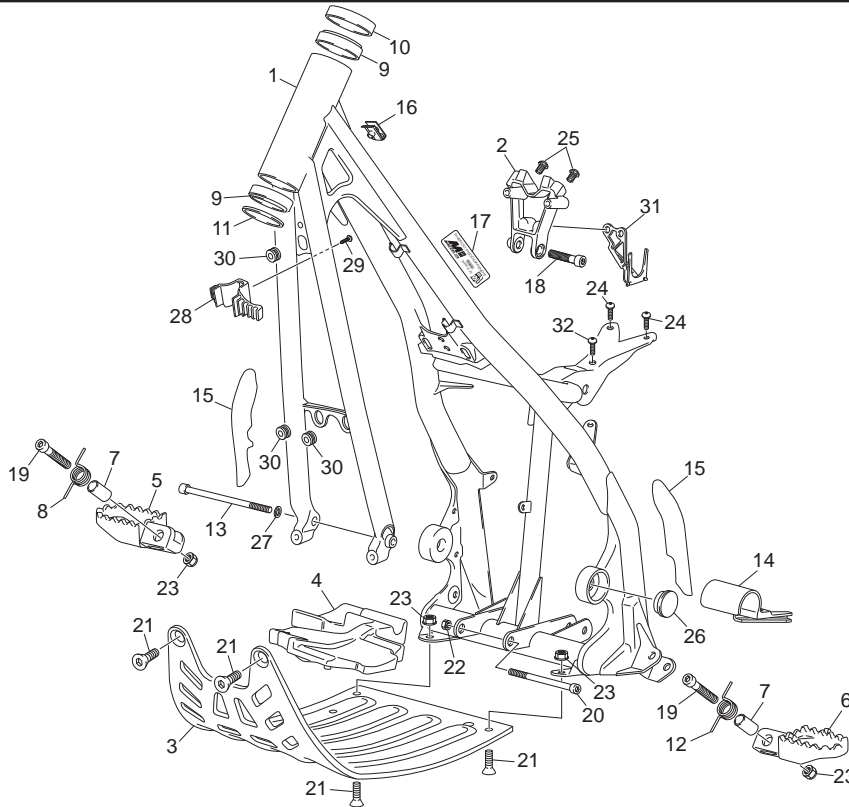
Pg. 21

18 Carburateur / Carburetor / Carburador KEIHIN



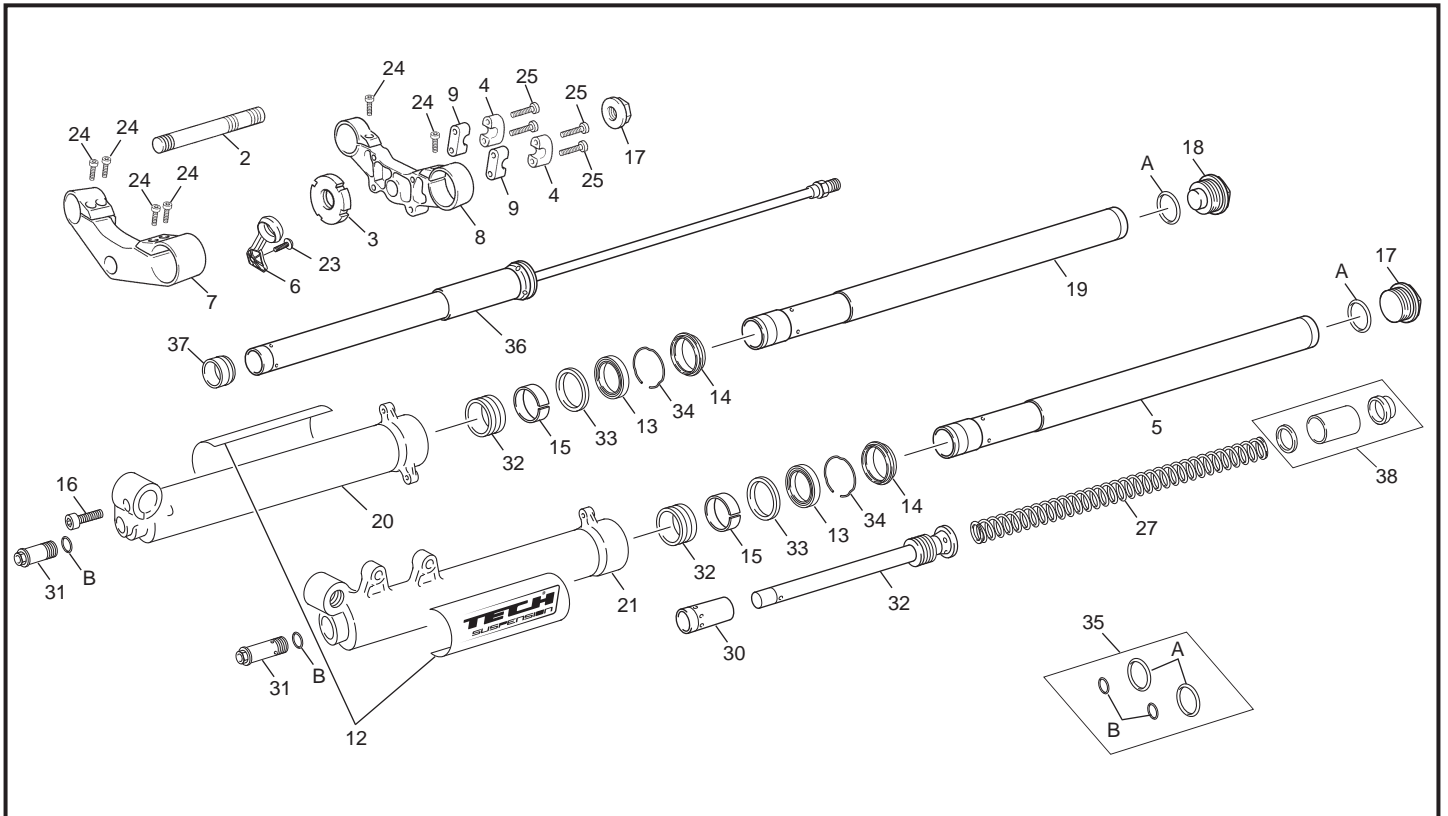
Pg. 22 - 23

Cadre / Frame / Chasis



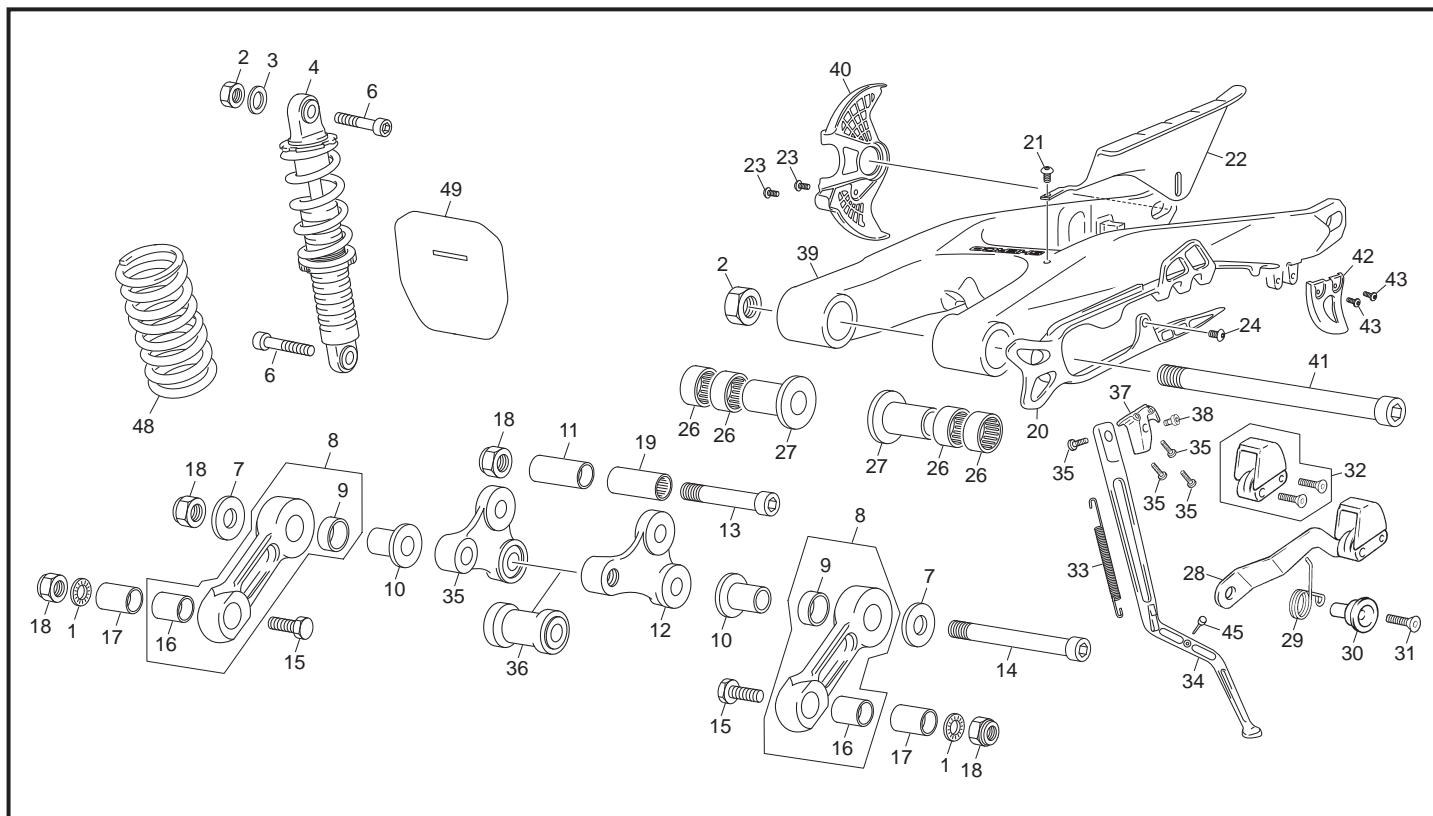
POS.	2.9	FRANÇAIS	ENGLISH	ESPAÑOL
1	3584	CADRE TRIAL 2T 2012	FRAMETRIAL 2T 2012	CHASIS TRIAL 2T 2012
2	2251	PATE FIXATION CYLINDRE 250-290 2010	CLINDER SUPPORT 250-290 2010	TIRANTE CILINDRO 250-290 2010
3	3583	SABOT 2012	BASH PLATE 2012	PROTECTOR CARTERS MOTOR 2012
4	3582	CAOUTCHOUC MOTEUR 2012	BASH PLATE RUBBER 2012	CAUCHO PLACA MOTOR 2012
5	2015	REPOSE PIED DROITE 09 TR	RIGHT FOOTPEG 09 TR	ESTRIBERA DERECHA 09 TR
6	2016	REPOSE PIED GAUCHE 09 TR	LEFT FOOTPEG 09 TR	ESTRIBERA IZQUIERDA 09 TR
7	2867	ENTRETOISE REPOSE PIED LONG 2010	SPACER FOOT PEG LONG 2010	CASQUILLO ESTRIBERA LARGO 2010
8	C008	RESSORT REPOSE PIED DROITE	RIGHT FOOTPEG SPRING	MUELLE ESTRIBERA DERECHA
9	C009	ROUL. COLONNE DIRECTION R32004	STEERING BEARING R32004	RODAMIENTO DIRECCION R32004
10	C010	BAGUE DE PROTECTION HAUTE PLASTIC	PLASTIC DUST COVER	GUARDA POLVO SUPERIOR PLASTIC
11	C011	BAGUE DE PROTECTION BASSE	FORK ALUMINIUM WHASHER	ARANDELA GUARDA POLVO INF
12	C012	RESSORT DE REPOSE PIED GAUCHE	LEFT FOOT PEG SPRING	MUELLE ESTRIBERA IZQUIERDA
13	C172	AXE 10 X 20	PIN 10 X 20	EJE 10 X 20
14	C013	PATIN CHAINE CADRE	SWINGARM CHAIN PROTECTOR	PATIN CADENA CHASIS
15	3717	ADHESIF PROTEC CADRE JEU TR 12	FRAME PROTECTOR STICKER KIT TR 12	ADESIVO PROT. CHASSIS JUEGO TR 12
16	M308	ECROU CLIP M6 0500500400	NUT CLIP M6	TUERCA CLIP M6
17	C393	ADESIF MINERVA S/PLOMB 98	PETROL MINERVA STICKER 98	ADHESIVO MINERVA S/PLOMO 98
18	M263	VIS CHC 8 X 40 0084	SCREW CHC 8 X 40	TORNILLO 8 X 40 ALLEN
19	M264	VIS CHC 8 X 45 0084	SCREW CHC 8 X 45	TORNILLO 8 X 45 ALLEN
20	M396	VIS CHC M10 X 80	SCREW CHC M10 X 80	TORNILLO CHC M10 X 80
21	M301	VIS FHC 8 X 20 1089	SCREW FHC 8 X 20	TORNILLO AVELLANADO M 8 X 20
22	M304	ECROU NYLSTOP M10 0368.10	NUT NYLSTOP M10	TUERCA NYLSTOP M10
23	M305	ECROU NYLSTOP M8 0368.8	NUT NYLSTOP M8	TUERCA NYLSTOP M8
24	M345	VIS BHC 6 X 12 CAROSSERIE	SCREW BHC 6 X 12 BODY	TORNILLO BHC 6 X 12 CAROSSERIA
25	M282	VIS BHC 6 X 10 1093	SCREW BHC 6 X 10	TORNILLO 6 X 10 BHC
26	C165	BOUCHON AXE BRAS OSCILLANT Ø 35	COVER SWING ARM AXLE Ø 35	TAPON EJE BASCULANTE Ø 35
27	3021	RONDELE M10 BL DIN 7980	WASHER M10 BL DIN 7980	ARANDELA M10 BL DIN 7980
28	3156	BUTEE DIRECTION TR 11	STOP FRAME TR11	TOPE DIRECCION TR 11
29	M278	VIS BHC 5 X10 1093	SCREW BHC 5X10	TORNILLO 5 X 10 ULS
30	C118	SILENT BLOC RADIATEUR	SILENT-BLOC RADIATOR	SILENT-BLOC RADIADOR
31	3585	SUPPORT CDI HI TRIAL	HOLDER CDI HI TRIAL	SOPORTE CDI HI TRIAL
32	3953	VIS CAROSSERIE 6 X16	SCREW 6 X16 BODY	TORNILLO 6 X16 CAROSSERIA

Fourche / Fork / Horquilla



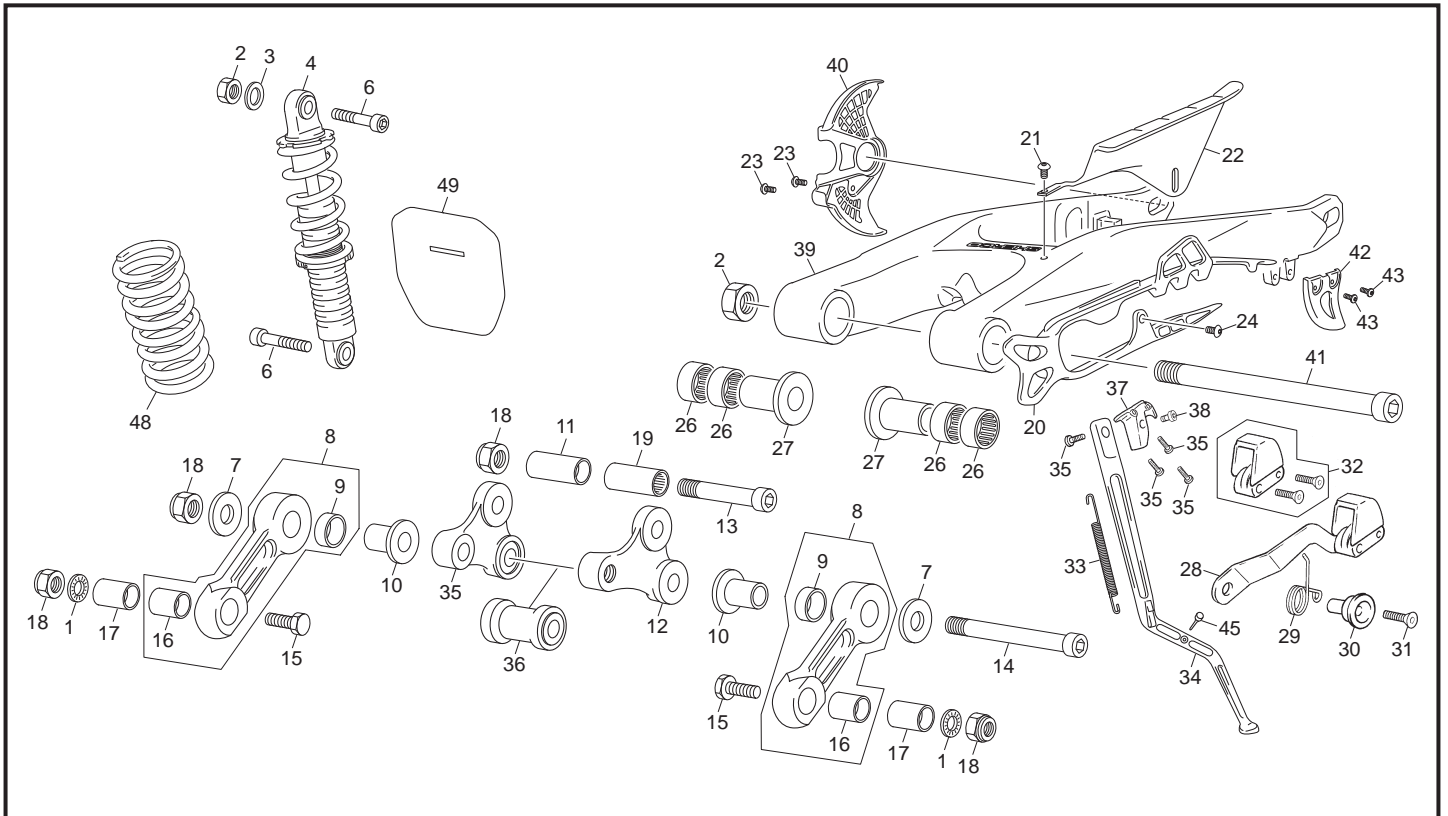
POS.	2.9	FRANÇAIS	ENGLISH	ESPAÑOL
1	3379	GROUPE JAMBES TS CPL TRIAL	GROUP I SWEEP TS CPL TRIAL	GRUPO BARRAS TS CPL TRIAL
2	1166	AXE ALUMINIUM	AXIS ALUMINIUM	EJE ALUMINIO
3	1170	RONDELLE ECROU ALU AXE DIRECT. 07	TOP TRIPLE CLAMP ALUMINIUM NUT 07	TUERCA FIJACION ALU 07
4	3402	BRIDE GUIDON SUPERIEURE OR TS 39	BRIDE SUP HANDLE BAR GOLD TS 39	BRIDA SUPERIOR MANILLAR ORO TS39
5	4256	GROUPE TUBE FOURCHE GAUCHE TS	GROUP STANGHON TUBE LEFT TS	GRUPO TUBO HORQUILLA IZQ. TS
6	2359	GUIDE DURITE FREIN AV 2010	GUIDE FRONT BRAKE HOSE 2010	GUIA LATIGUILLO FRENO DEL 2010
7	3385	T FOURCHE INF OR TS 39	BOTTOM PLAT FORK GOLD TS 39	PLATINA INF HORQUILLA ORO TS 39
8	3386	T FOURCHE SUP OR TS 39	UPPER PLAT FORK GOLD TS 39	PLATINA SUP HORQUILLA ORO TS 39
9	3403	BRIDE GUIDON INFRIEURE OR TS 39	BRIDE INF HANDLEBAR GOLD TS 39	BRIDA INFERIOR MANILLAR ORO TS 39
11	R108	ECROU ALU AXE FOUR. 2000	ALUMINI. NUT FOR FRONT FORK AXLE	TUERCA EJE 2000
12	3718	ADHESIF FOURCHE TR 12	STICKERS FORK TR 12	ADHESIVO HORQUILLA TR 12
13	3662	JOINT SPIE DE FOURCHE TS	FORK OIL SEAL TS	RETEN SUSPENSION DEL TS
14	3661	PARE POUSSIERE FOURCHE TS	O-RING FORK TS	GUARDA POLVO HORQUILLA TS
15	3663	DU TUBE FOURCHE TS	DU FRICTION TUB TS	DU TUBO TS
16	3673	VIS THC M8X18 DIN 7984	SCREW M8X18 DIN 7984	TORNILLO M8X18 DIN 7984
17	3664	BOUCHON FOURCHE GAUCHE TS	LEFT FORK PLUG TR TS	TAPON HORQUILLA IZQ TR TS
18	3665	BOUCHON FOURCHE DROITE TR TS	PLUG RIGHT FORK TR TS	TAPON DERECHO HORQUILLA TR TS
19	3668	GROUPE TUBE FOURCHE DROITE TS	GROUP STANGHON TUBE RIGHT TS	GRUPO TUBO HORQUILLA DER. TS
20	3667	JAMBE DROITE TS	RIGHT SIDE FORK TS	BOTELLA DER TS
21	3666	JAMBE GAUCHE TS	LEFT SIDE FORK TS	BOTELLA IZQ TS
22	3674	VIS BLOCKAGE POMPANTE HIDRA.	SCREW STOPER HIDRAULIC POMP	TORNILLO BLOCAGE BOMBA HIDRA.
23	M258	VIS BHC 5 X 16 1093	SCREW BHC 5 X 16	TORNILLO 5 X 16 ULS
24	M261	VIS CHC 8 X 20 0084	SCREW CHC 8 X 20	TORNILLO 8 X 20 ALLEN
25	1237	VIS CHC 8 X 55 0084	SCREW CHC 8 X 55	TORNILLO 8 X 55 ALLEN
27	4411	RESSORT DE FOURCHE TECH	FORK SPRING TECH	MUELLE HORQUILLA TECH
28	4412	SUPPORT ANEAU BUTEE RESSORT	SUPPORT RING FOR SPRING LIMIT	SOPORTE ANILLO TOPE MUELLE
29	4413	GROUPE POMPANTE TS	GROUP MECHANICAL POUMPING TS	GRUPO POMPANTE TS
30	4417	CONE BUTEE GAUCHE	CONE LIMIT LEFT	CONO TOPE IZQUIERDO
31	4414	GROUPE REGULATION AIGUILLE	NEEDLE REGULATION GROUP	GRUPO REGULACION AGUJA
32	4422	DU 38X40X20 TS	BUSH DU 38X40X20 TS	DU 38X40X20 TS
33	4421	RONDELE TENUE ANEAU TS	RING STOP BUSHING OIL SEAL TS	ARANDELA RETENCION ANILLO TS
34	4420	ANEAU JOINT SPIE TS	RING STOPPER OIL SEAL TS	ANILLO RETENCION RETEN TS
35	4416	JEU TORIQUES	GROUP RING SEALS	JUEGO JUNTAS
36	4418	GROUPE CARTOUCHE	GROUP CARTRIDGE	GRUPO CARTUCHO
37	4419	CONE BUTEE DROITE	CONE LIMIT RIGH	CONO TOPE DERECHO
38	4415	RESSORT DE FOURCHE TECH	FORK SPRING TECH	MUELLE HORQUILLA TECH

Amortisseur - Bras oscillant / Rear Shock - Swingarm / Amortiguador - Basculante



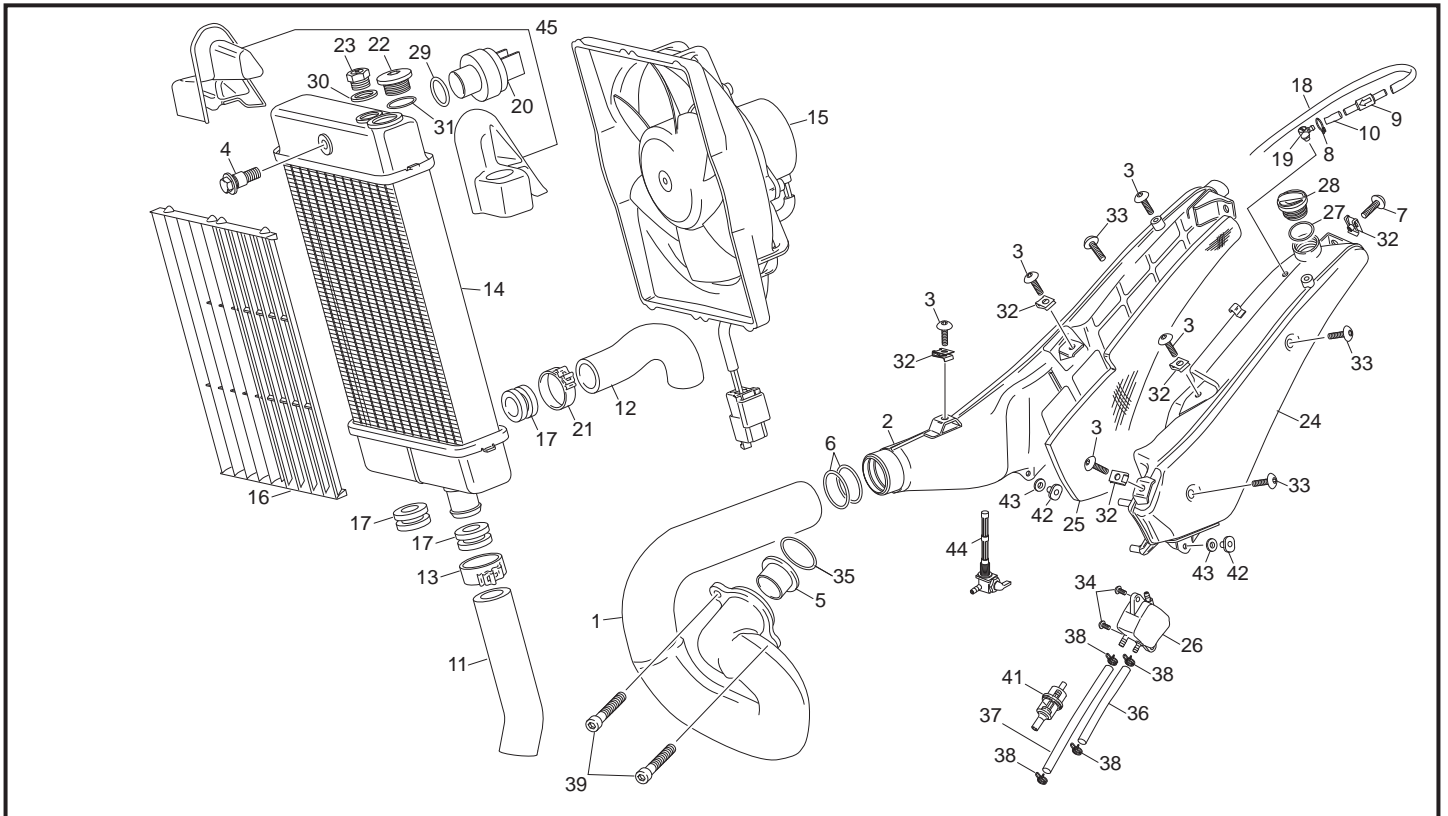
POS.	2.9	FRANÇAIS	ENGLISH	ESPAÑOL
1	1432	RONDILLE AET 8	WASHER X AET 8	ARANDELA AET 8
2	M310	ECROU PLAT M14 X 150 0319	NUT PLAT M14 X 150	TUERCA REBAJADA M14 X 150
3	M315	RONDILLE X 10 1405 010	WASHER X 10	ARANDELA X 10 DIN 125 A
4	3610	AMORTISSEUR TRIAL 2010	REAR SHORK TRIAL 2010	AMOTIGUADOR TRIAL 2010
6	C173	AXE 10 X 42	PIN10 X 42	EJE 10 X 42
7	M320	RONDILLE 10 X 30 X 2.5 0416	WASHER 10 X 30 X 2.5	ARANDELA 10 X 30 X 2.5 DIN 9021
8	3447	BIELETTE TIRANT SIMPLE TRIAL 2012	REAR SUSPENSION LINK TRIAL 2012	BIELETA SUSPENSION TRIAL 2012
9	2945	DOUILLE FRICTION 16X18X15	BEARING FRICTION 16X18X15	COJINETE FRICCION 16X18X15
10	C171	ENTRETOISE TIRANT EPAULEE	LINK SPACER	CASQUILLO BIELETA CON ARANDELA
11	C152	ENTRETOISE SUSPENSION	SPACER SUSPENSION	CASQUILLO SUSPENSION
12	3445	BIELETTE DELTA SEMI G TRIAL 2012	REAR SUSP. HALF L DELTA LINK TRIAL '12	TRAPECIO SUSPENSION SEMI I TRIAL'12
13	C174	AXE 10 X 72	PIN 10 X 72	EJE 10 X 72
14	C172	AXE 10 X 20	PIN 10 X 120	EJE 10 X 120
15	C175	VIS HEXA TETE BASSE	SPECIAL HEAD SCREW HEX	TORNILLO HEX C/REBAJADA
16	2946	DOUILLE FRICTION 14X16X15	BEARING FRICTION 14X16X15	COJINETE FRICCION 14X16X15
17	C170	ENTRETOISE TIRANT	LINK SPACER	CASQUILLO BIELETA
18	M305	ECROU NYLSTOP M8 0368.8	NUT NYLSTOP M8	TUERCA NYLSTOP M8
19	C167	DO. AIGUILLE BRAS/ SUSP HK 16X20X2RS	BEARING HK 16202RS	CASQ. AGUJAS BASC/SUSP HK16202RS
20	1207	PATIN DE CHAINE 07 TRIAL	CHAIN GUIDE PLATE 07 TRIAL	PATIN CADENA 07 TRIAL
21	M258	VIS BHC 5 X 16 1093	SCREW BHC 5 X 16	TORNILLO 5 X 16 ULS
22	1208	CARTER DE CHAINE 07	CHAIN PROTECTOR 07	CUBRE CADENAS 07
23	M282	VIS BHC 6 X 10 1093	SCREW BHC 6 X 10	TORNILLO 6 X 10 BHC
24	M278	VIS BHC 5 X 10 1093	SCREW BHC 5X10	TORNILLO 5 X 10 ULS
26	C151	DOUILLE AIGUILLE BRAS HK 20X20X2 RS	BEARING HK 20X20X2RS	CASQ.AGUJAS BASCULA. HK20X20X2RS
27	C153	ENTRETOISE ARTICULATION BRAS	SPACER SWING ARM	CASQUILLO EJE BASCULANTE
28	C164	TENDEUR DE CHAINE	CHAIN TENSIONER	TENSOR CADENA
29	R205	RESSORT TENDEUR DE CHAINE	SPRING CHAIN TENSIONER	MUELLE TENSOR CADENA
30	R206	ENTRETOISE TENDEUR DE CHAINE	SPECER CHAIN ADJUST	CASQUILLO TENSOR CADENA
31	M300	VIS FHC 8 X 35 1089	SCREW FHC 8 X 35	TORNILLO AVELLANADO M8 X 35
32	R047	CAOUTCHOUC TENDEUR SEUL	CHAIN STRETCHER PLATE	GOMA TENSOR CADENA
33	C161	RESSORT DE BEQUILLE	SIDE STAND SPRING	MUELLE CABALLETE
34	1480	BEQUILLE SEULE ALU 2008	LATERAL STAND 2008	CABALLETE ALUMINIO 2008
35	3444	BIELETTE DELTA SEMI D TRIAL 2012	REAR SUSP. HALF R DELTA LINK TRIAL 2012	TRAP. SUSPENSION SEMI D TRIAL '12
36	3446	ENTRETOISE BIELETTE DELTA TRIAL 2012	DELTA LINK SPACER TRIAL 2012	CASQ. TRAPECIO SUSPENSION TRIAL'12
37	2892	SUPPORT DE BEQUILLE SANS BUTEE	STAND HOLDER WITHOUT RETAIN	SUORTE CABALLETE SIN TOPE

Amortisseur - Bras oscillant / Rear Shock - Swingarm / Amortiguador - Basculante

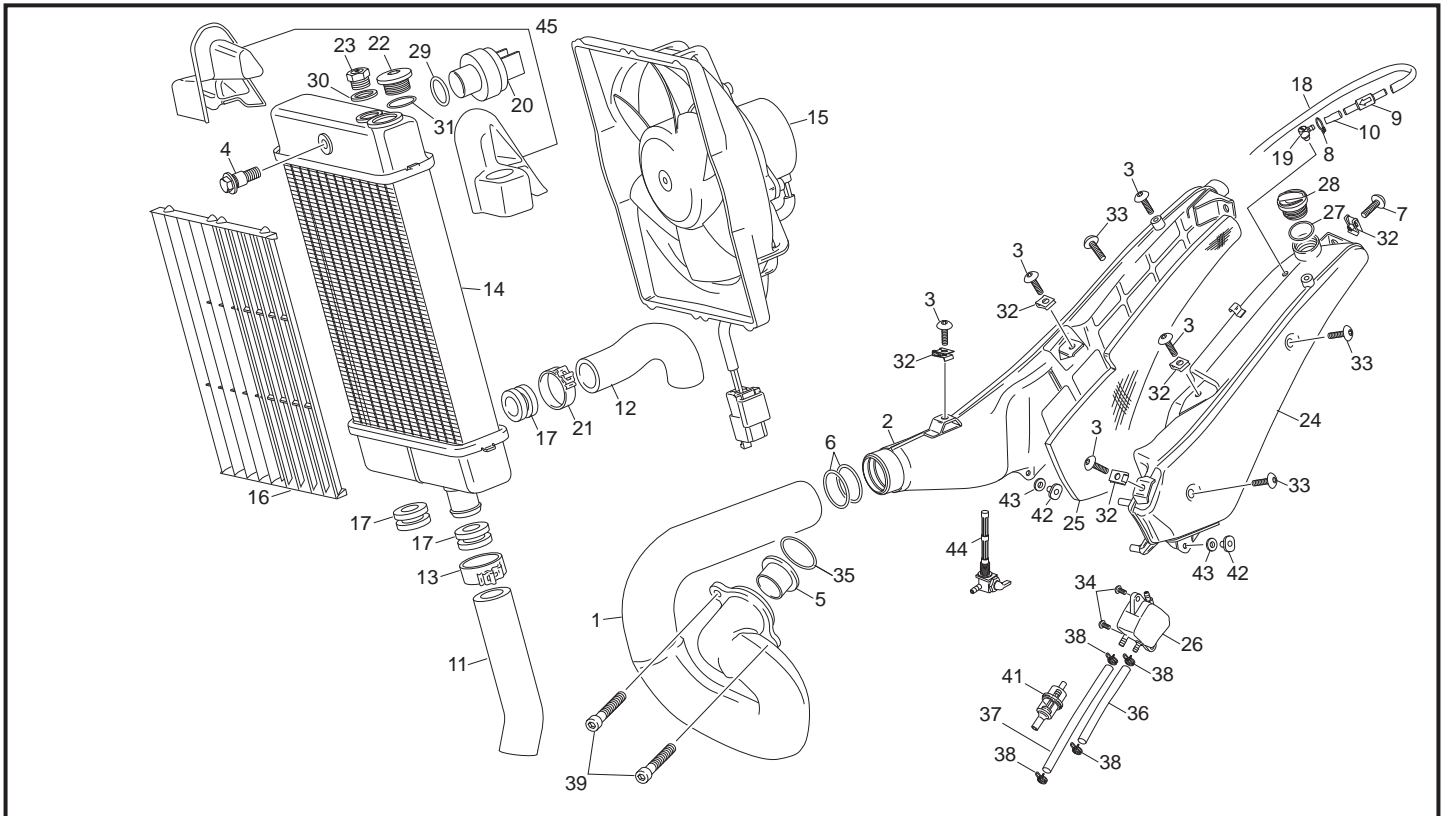


POS.	2.9	FRANÇAIS	ENGLISH	ESPAÑOL
38	C166	VIS SPECIALE BEQUILLE	SIDE STAND SPECIAL BOLT	TORNILLO ESPECIAL CABALLETE
39	1093	BRAS OSCILLANT 07	SWINGARM 07	BASCULANTE 07
40	2024	PROTECTEUR DISC ARIERE 09 NOIR TR	PROTECTOR BRAKE DISC BACK 09 BLACK	PROT. R DISCO TRASERO NEGRO 09
41	C154	AXE BRAS OSCILLANT	ALUMINIUM SWINGARM AXLE	EJE BASCULANTE ALUMINIO
42	2026	PROTECTEUR COURRONE NOIR TR	PROTECTEUR SPROKET BLACK TR	PROTECTOR CORONA NEGRO TR
43	M278	VIS BHC 5 X10 1093	SCREW BHC 5X10	TORNILLO 5 X 10 ULS
45	1663	CAUT.DE MAINTIEN BEQUILLE TRIAL 08	STAND SIDE RUBER TRIAL 08	GOMA CABALETE 08
48	3545	RESSORT AMORTISSEUR TR. 8.3KG/MM	AMORTGUADOR SPRING TRIAL	MUELLE AMORT. TRIAL 8.3 KG/MM
49	3425	BAVETTE AMORTISSEUR SSDT	SHOCK ABSORBER PROTECTOR SSDT	PROTECTOR AMORTIGUADOR SSDT

Radiateur / Radiator / Radiador

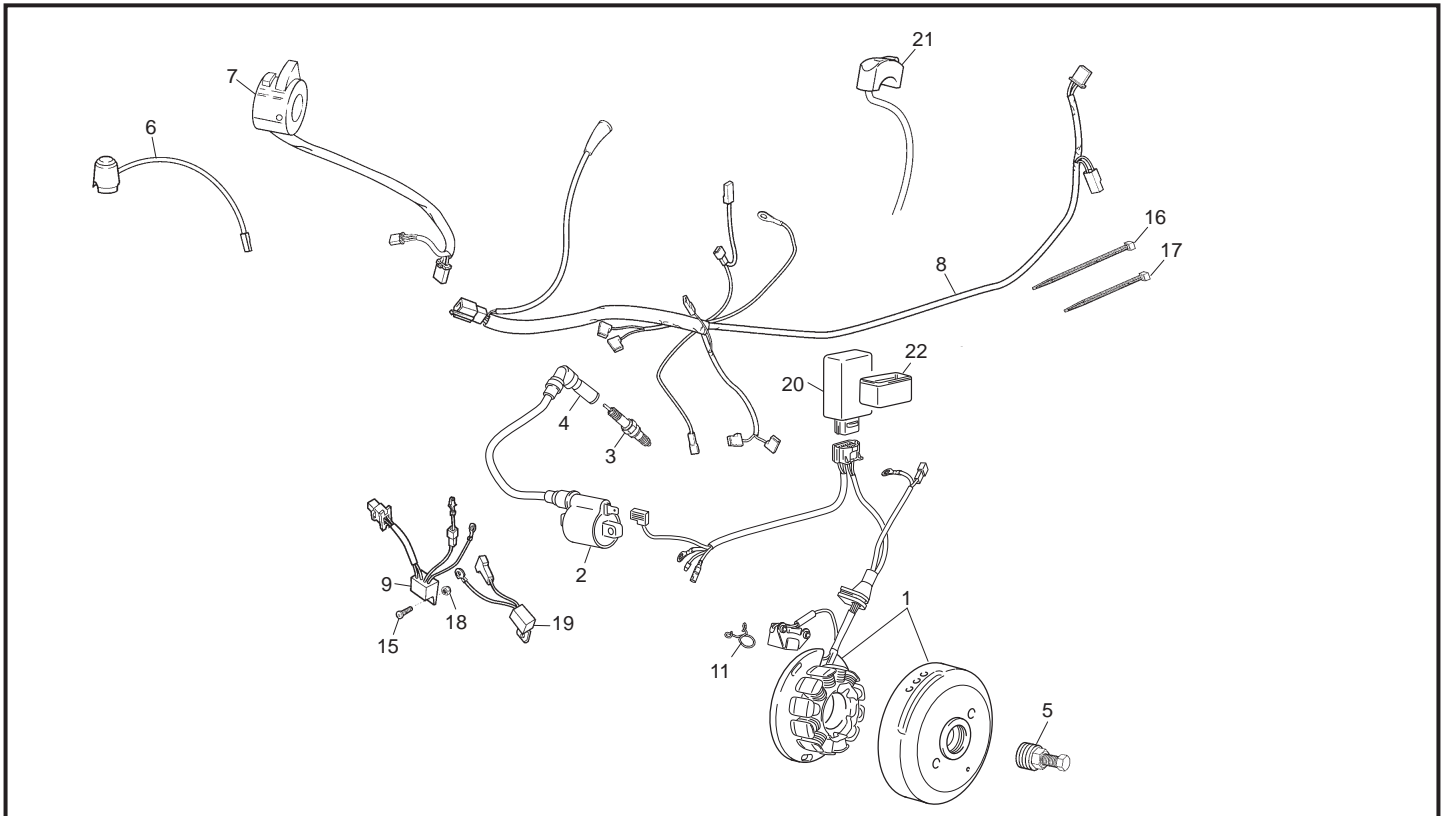


POS.	2.9	FRANÇAIS	ENGLISH	ESPAÑOL
1	3268	TUBE ECHAPPEMENT 2.5-2.9 2011	EXHAUST PIPE 2.5-2.9 2011	CURVA DE ESCAPE 2.5- 2.9 2011
2	3591	POT CENTRAL ALU 2T 2012	EXH CENTRAL ALU 2012	SILENCIOSO CENTRAL ALU 2012
3	M345	VIS BHC 6 X 12 CARROSSERIE	SCREW BHC 6 X 12 BODY	TORNILLO BHC 6 X 12 CARROSSERIA
4	1289	VIS COUVERCLE SUPERIEUR 4T TRIAL 07	SCREW 07	TORNILLO TAPA SUPERIOR 4T TRIAL 07
5	----	REDUCT. ECHAPPEMENT 125CC 2010	REDUCTION EXHAUST 125CC 2010	REDUCTOR ESCAPE 125CC 2010
6	C104	JOINT TORIQ. POT CENT. 44 X 51 X 3,50	O-RING MIDDLE SILENC. 44 X 51 X 3,50	TORICA SILEN. CENTRAL44 X 51 X 3,50
7	M269	VIS BHC 6 X 20 CARROSSERIE	SCREW BHC 6 X 20 CARROSSERIE	TORNILLO 6 X 20 ESPECIAL CARROCERIA
8	2846	COLLIER DURITE ESSENCE	COLLARD PETROL PIPE	ABRAZADERA TUBO GASOLINA
9	2365	VALVE ANTI RETOUR	ANTI RETURN VALVE	VALVULA ANTI RETORNO
10	NEW			
11	3432	DURITE CARTER RADIATEUR TR 12	RUBBER TUBE CRANKSHAFT/RAD. TR 12	MANGUITO CARTER/RADIADOR TR 12
12	3140	DURITE CULASSE RADIATEUR TR 12	RUBBER CILYNDER HEAD RAD. TR 12	MANGUITO CULATA/RADIADOR TR 12
13	C114	COLLIER DURITE NORMA VERT 21	COLLARD NORMA GREEN 21	ABARAZADERA MANGUITOS VERDE 21
14	3127	RADIATEUR 2T 2011	RADIATOR 2S 2011	RADIADOR 2T 2011
15	1523	VENTILATEUR COMEX 120	FAN DIAM COMEX 120	VENTILADOR COMEX 120
16	C713	GRILLE RADIATEUR 06	RADIATOR PROTECTOR 06	REJILLA RADIADOR 06
17	C118	SILENT BLOC RADIATEUR	SILENT-BLOC RADIATOR	SILENT-BLOC RADIADOR
18	NEW			
19	2274	RACORD MISE A L'AIR TR 2010	RACORD AIR INSIDE TR 2010	RACORD ENTRADA AIRE TR 2010
20	2256	THERMOCONTACT 2T 2010 75-68	THERMOSTAT 2T 2010 75-68	TERMOCONTACTO 2T 2010 75-68
21	C114	COLLIER DURITE NORMA VERT 21	COLLARD NORMA GREEN 21	ABARAZADERA MANGUITOS VERDE 21
22	2906	BOUCHON RADIATEUR TRIAL 2010	RADIATOR TAP TRIAL 2010	TAPON RADIADOR TRIAL 2010
23	2269	VALVE PRESSION RADIATEUR	PRESSION VALVE RADIATOR	VALVULA PRESSION RADIADOR
24	3609	RESERVOIR TRIAL ALU 12	PETROL TANK TRIAL ALU 12	DEPOSITO TRIAL ALU 12
25	2363	PROTECTEUR TERM. RESERVOIR TR 2010	THERMIC PROT. SIDE TANK TRIAL 2010	PROTECTOR TERMICO DEP. TRIAL 2010
26	2311	POMPE A ESSENCE TRIAL	PETROL PUMP TRIAL	BOMBA DE GASOLINA TRIAL
27	2320	JOINT BOUCHON ESSENCE TRIAL 2010	SEAL PETROL CAP TRIAL 2010	JUNTA TAPON GASOLINA TRIAL 2010
28	2270	BOUCHON ESSENCE 2010	PETROL CAP 2010	TAPON GASOLINA 2010
29	M651	JOINT 13.10 X 1.6 SORTIE EAU 4T TRIAL	WATER EXIT O SEAL 13.10 X 1.6 4T TRIAL	TORICA 13.105 X 1.6 TUB. SAL. AGUA 4T
30	2860	RONDELLE ALU 8X12X1	WASHER ALU 8X12X1	ARENDELA ALU 8X12X1
31	M168	TORIQUE 14 X18X2	O RING 14X18X2	TORICA 14X18X2
32	M308	ECROU CLIP M6 0500500400	NUT CLIP M6	TUERCA CLIP M6

Radiateur / Radiator / Radiador


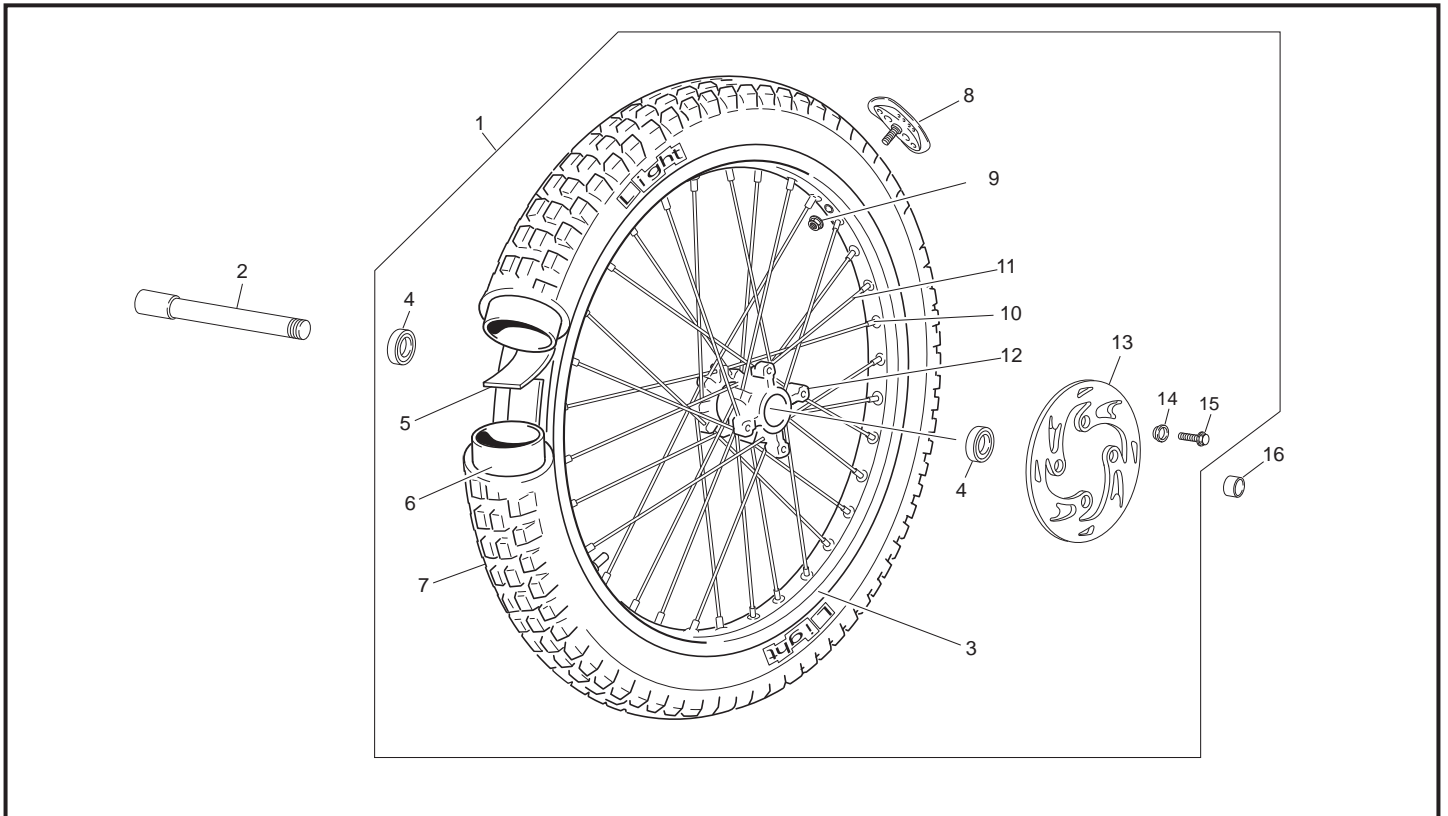
POS.	2.9	FRANÇAIS	ENGLISH	ESPAÑOL
33	2937	VIS BHC 5 X8 ISO 7380	SCREW BHC 5 X8	TORNILLO ULS 5 X 8 ISO 7380
34	M258	VIS BHC 5 X 16 1093	SCREW BHC 5 X 16	TORNILLO 5 X 16 ULS
35	C122	JOINT CUIVRE 38X44X2.5 0462	GASKET RING 38X44X2.5	JUNTA COBRE 38X44X2.5
36	NEW			
37	NEW			
38	2846	COLLIER DURITE ESSENCE	COLLARD PETROL PIPE	ABRAZADERA TUBO GASOLINA
39	2937	VIS BHC 5 X8 ISO 7380	SCREW BHC 5 X8	TORNILLO ULS 5 X 8 ISO 7380
41	3185	FILTRE A ESSENCE	PETROL FILTER	FILTRO GASOLINA
42	3193	ENTRETOISE SILENTBLOCK	BUSH SILENTBLOCK	CASQUILLO SILENTBLOCK
43	3194	CAUCHOUX SILENTBLOCK	SILENTBLOCK RUBBER	CAUCHO SILENTBLOCK
44	3638	ROBINET ESSENCE 2012	PETROL TAP 2012	GRIFO GASOLINA 2012
45	3716	PROTECTEUR HAUT RADIATEUR PAIRE	PROTECTOR TOP RADIATOR KIT	PROTECTOR ALTO RADIADOR JUEGO

Faisceau électrique / Electrical system / Instalación eléctrica



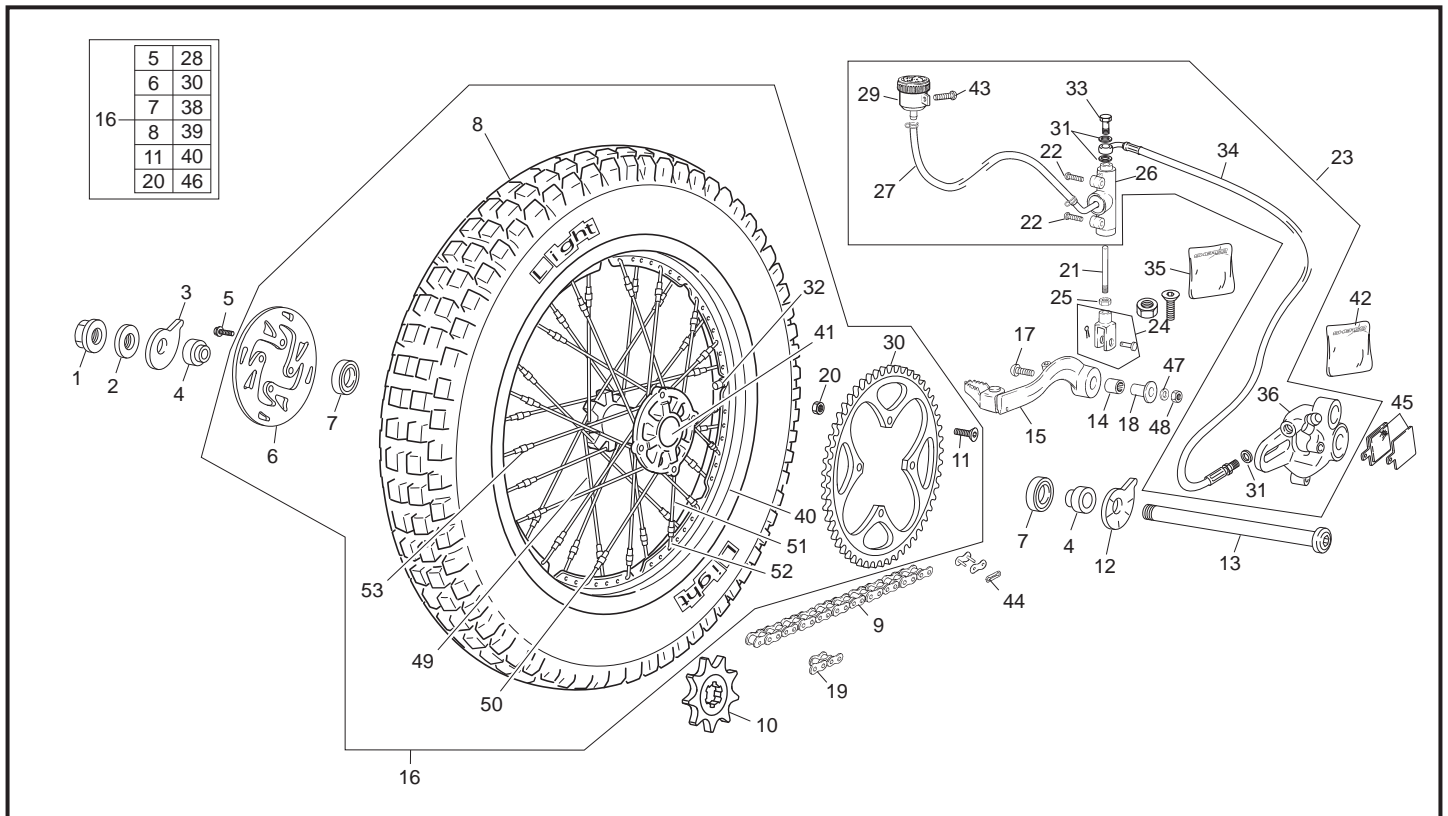
POS.	2.9	FRANÇAIS	ENGLISH	ESPAÑOL
1	3579	ALLUM. CPL 125 LEON. DIG. 2T 8 P.2010	INGN. CPL 125 LEON. DIG. 2T 8P. 2010	ENCEN. LEON. CPL 125 DIG. 2T 8P. 2010
2	3581	BOBINE TRIAL + ANTIPARASITE 2T 2010	ELECTRONIC BOX TRIAL 2T2010	BOBINA AT + TERM BUJIA 2T 2010
3	M183	BOUGIE COMP	SPARK PLUG	BUJIA COMP
4	M184	ANTIPARASITE	SPARK PLUG CAP	PIPA BUJIA
5	R075	OUTIL EXTRACTEUR ROTOR ALLUMAGE	PULLER FOR FLYWHEEL	EXTRACTOR ENCENDIDO
6	2972	BOUTON STOP MOT. TRIAL D28 L 70,5	STOP ENGINE TRIAL D28 L 70,5	STOP MOTOR TRIAL D28 L 70,5
7	C038	COMUTATEUR ELECTRIQUE	LIGHT COMMAND	CONMUTADOR LUCES
8	2820	FAISCEAU ELECTRIQUE PRINC. TRIAL 2010	ELECTRIC CABLE	CABLE ELECTICO
9	1681	DIODE REDRESSEUSE VENT. COMEX	DIODE COMEX	RECTIFICADOR VENTILADOR COMEX
11	M273	CAVALIER	CAVALIER	BRIDA
15	M306	ECROU NYLSTOP M6 0368.6	NUT NYLSTOP M6	TUERCA NYLSTOP M6
16	M330	COLLIER RISLAN 178 X 4.8	COLLIER 178 X 4.8	ABRAZADERA 178 X 4.8
17	M331	COLLIER RISLAN 100 X 2.5	COLLIER 100 X 2.5	ABRAZADERA 100X 2.5
18	M274	RONDELLE GROSVER X 6 DIN 6798J 0428	WASHER GROSVER X 6 DIN 6798J 0428	ARANDELA GROSVER X 6 DIN 6798J 0428
19	M182	REGULATEUR LEONELLI	REGULATOR	REGULADOR
20	3580	CDI MOT. TR. DOUBLE COURBE 2T 125	CDI BOX ENG TR. DOUBLE CURBA 2T 125	CDI DIG. REPRO. TR. DOBLE CURVA 2T125
21	1489	COMUTATEUR SELEC. DOUBLE COUBE 2T	COMMAND DOUBLE SELECTION 2T	CONMUTADOR SEL. DOBLE CURVA 2T
22	3586	CAUTCHOUQ SUPPORT CDI HI TRIAL	RUBBER CDI HI TRIAL	GOMA CDI HI TRIAL

Roue avant / Front wheel / Rueda delantera



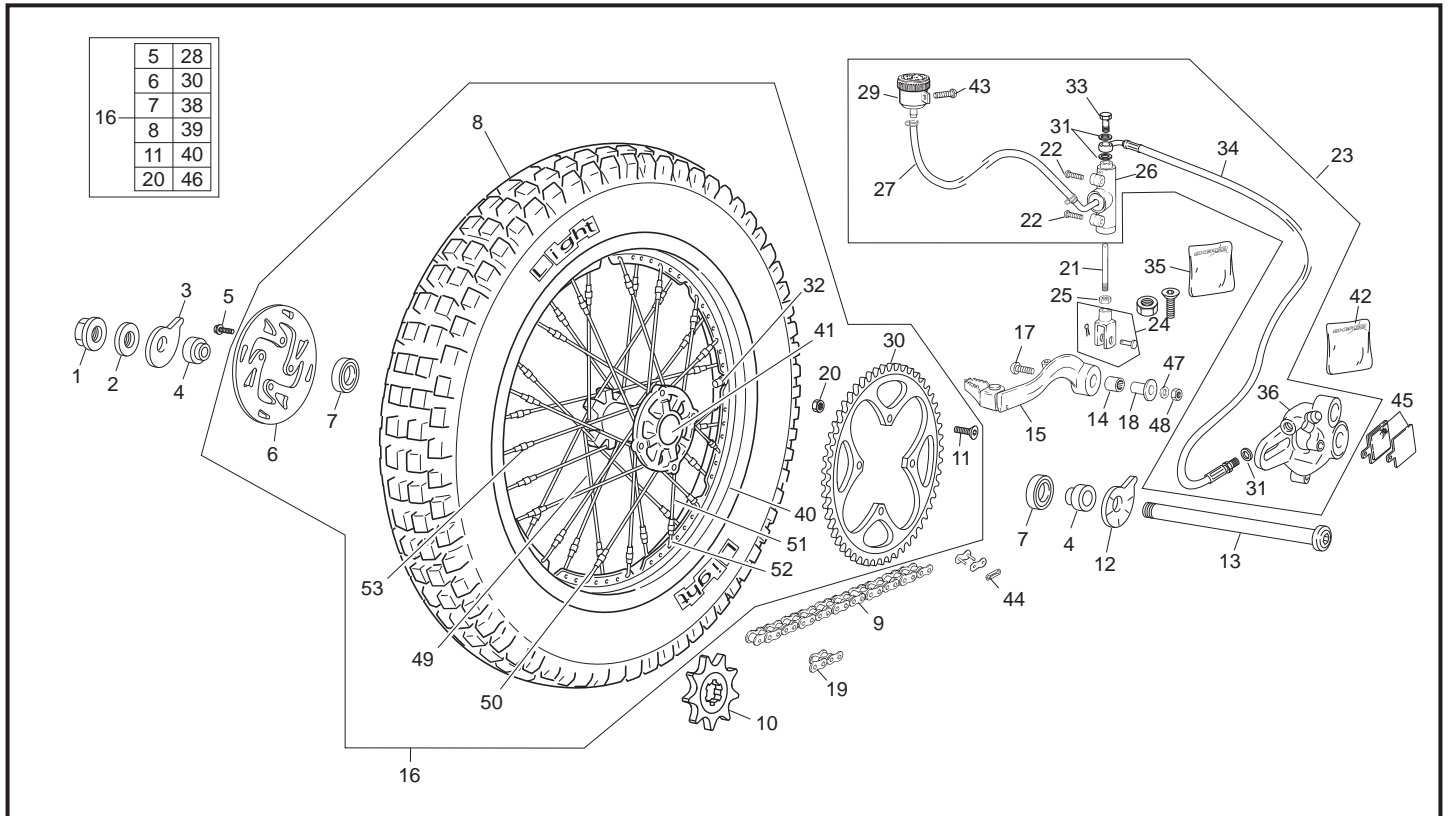
POS.	2.9	FRANÇAIS	ENGLISH	ESPAÑOL
1	3564	ROUE AVANT TR. DORADE 011 LIGHT	FRONT WHEEL TR GOLDEN 011 LIGHT	RUEDA DELANT. TR DORADA 011 LIGHT
2	C205	AXE DE ROUE AVANT	FRONT WHEEL AXLE	EJE RUEDA DELANTERA
3	3396	JANTE AVANT 1.60X21 32 RAYONS OR	FRONT RIM 1.60X21 32 R GOLD	LLANTA DELANT. 1.60X21 32 RAD. ORO
4	R049	ROULEMENT DE MOYEU 6004 2RS	BEARING HUB 6004 2RS	RODAMIENTO BUJE 6004 2RS
5	C201	RUBAN FOND DE JANTE R14025	RIM RUBBER PROTECTION	GOMA PROTECCION LLANTA
6	C202	CHAMBRE A AIR 21AB	21 TUBE	CAMARA 21
7	2928	PNEU AVANT 275X21 LIGHT	FRONT TIRE 2.75 X 21 LIGHT	NEUMATICO DELANT. 2.75 X 21 LIGHT
8	C203	GRISTER	TYRE STAY	AGARRACUBIERTAS
9	M305	ECROU NYLSTOP M8 0368.8	NUT NYLSTOP M8	TUERCA NYLSTOP M8
10	3398	ECROU DE RAYON AVANT M3.5X0.60	FRONT NEEPLE SPOCKE M3.5X0.60	TUERCA RADIO DELANTERO M3.5X0.60
11	3397	RAYON 257 X 3 NEW NOIR	SPOCKE 257 X 3 NEW BLACK	RADIO 257 X 3 NUEVO NEGRO
12	C320	MOYEU AVANT 2002	FRONT HUB 2002	BUJE DELANTERO 2002
13	2001	DISQUE FREIN AVANT 2009 TR	FRONT DISC 2009 TR	DISCO DELANTERO 2009 TR
14	C209	ENTRETOISE DISQUE AVANT	SPACER DISC	CASQUILLO FLOTANTE DISCO
15	C452	VIS HEXAGONAL EPAULE M6 X 18	SCREW EXAGONAL M6 X 18	TORNILLO EXAGONAL M6 X 18
16	----			

Roue arriere / Rear wheel / Rueda trasera



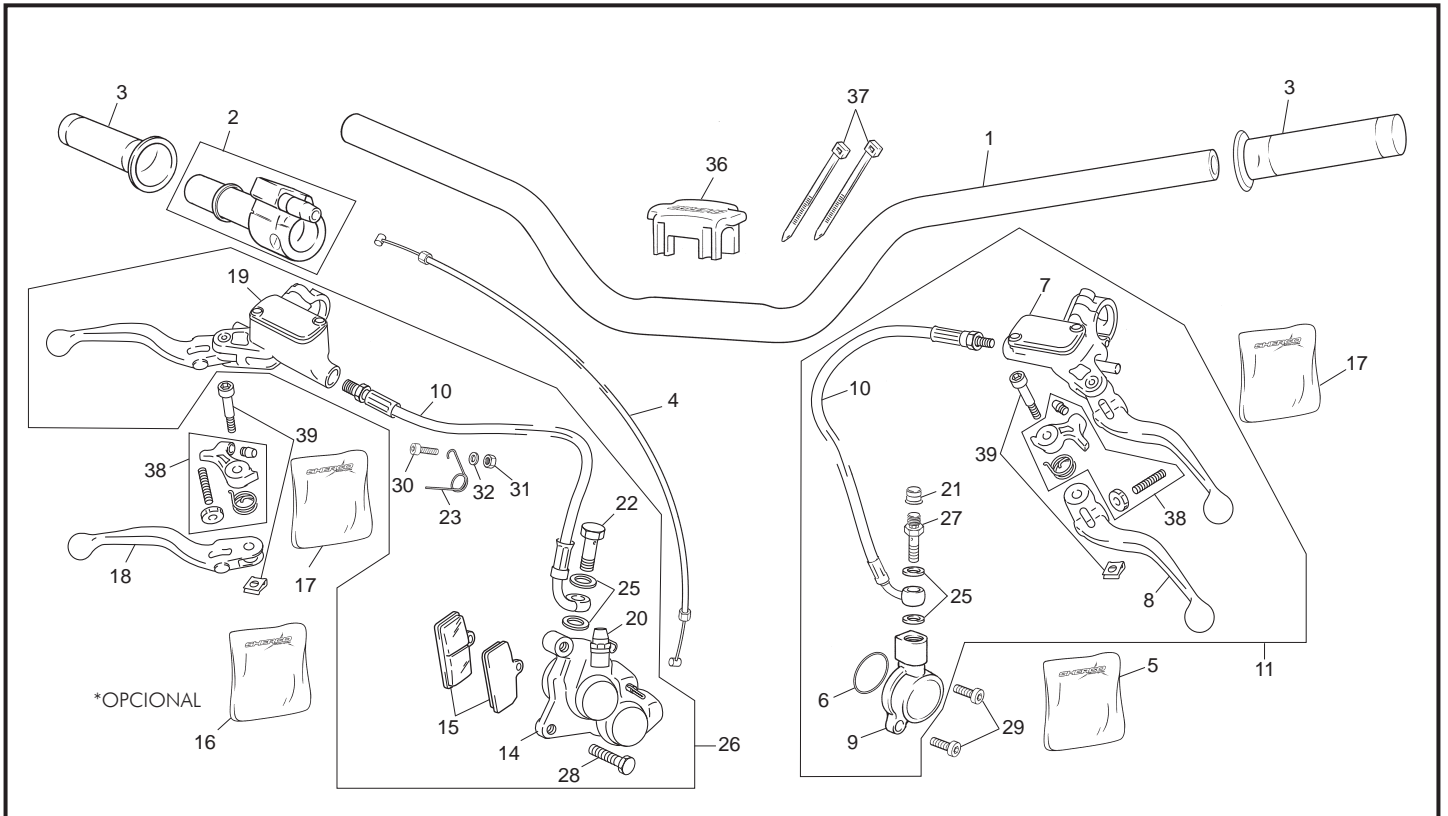
POS.	2.9	FRANÇAIS	ENGLISH	ESPAÑOL
1	C253	ECROU ROUE ARRIERE	REAR AXLE NUT	TUERCA EJE RUEDA TRASERA
2	M314	RONDELLE X 17 1405 016	WASHER X 17	ARANDELA X 17
3	C254	EXCENTRIQUE DROIT TENDEUR CHAINE	RUNNER CHAIN	EXCENTRICA DERETCHA
4	C255	ENTRETOISE ROUE ARRIERE	REAR BRUSH	SEPARADOR RUEDA TRASERA
4	3951	ENTRETOISE ROUE ARRIERE FORMULA	REAR BRUSH FORMULA	SEPARADOR RUEDA TRASERA FORMULA
5	M249	VIS CHC TETE BASSE 6X20 SS TROU GUID.	SCREW CHC 6 X 20	TORNILLO M 6 X 20 CABEZA REBAJADA
6	2002	DISQUE FREIN ARRIERE TR 2009	REAR DISC 2009 TR	DISCO FRENO TRASERO 2009 TR
7	R049	ROULEMENT DE MOYEU 6004 2RS	BEARING HUB 6004 2RS	RODAMIENTO BUJE 6004 2RS
8	2929	PNEU ARRIERE 400X18 LIGHT	REAR TYRE 400 X 18 LIGHT	NEUMATICO 400 X 18 TUBELESS LIGHT
9	3376	CHAINE 103M	CHAIN 103M	CADENA 103M
10	M227	PIGNON 9 D	SPROCKET 9 T	PINON 9 D
11	M287	VIS BHC 8 X 22	SCREW BHC 8 X 22	TORNILLO BHC 8 X 22
12	C256	EXCENTR. GAUCHE TENDEUR CHAINE	LEFT REAR AXLE EXCENTRIC	EXCENTRICA IZQUIERDA
13	C326	AXE ROUE ARRIERE 2002	AXELE BACK WEEL 2002	EJE RUEDA TRAS 2002
14	2299	DOUILLE BRONZE PEDALE FREIN TR	BEARING	CASQUILLO BRONCE PEDAL FRENO TR
15	C327	PEDALE DE FREIN 2002	REAR BRAKE PEDAL 2002	PEDAL FRENO TRASERO 2002
16	4437	ROUE ARRI. 125 TR DORADE NE. LIGHT	BACK WEEL 125 TR GOLDDED BL. LIGHT	RUEDA TRAS 125 TR DORADA N. LIGHT
17	2326	VIS BHC 8 X 35 NOIR	SCREW BHC 8X35 BLACK	TORNILLO M8 X 35 ULS NEGRO
18	C264	ENTRETOISE PEDALE DE FREIN	SPACER BRAKE PEDAL	CASQUILLO PEDAL DE FRENO
19	C304	KIT REGULATION LEVIER FORMULA	ADJUSTMENT LEVER KIT FORMULA	GRUPO REGULACION MANETA FORMULA
20	M305	ECROU NYLSTOP M8 0368.8	NUT NYLSTOP M8	TUERCA NYLSTOP M8
21	C261	TIGE FREIN ARRIERE	PIN BRAKE ROD	TIJA PEDAL FRENO TRASERO
21	M284	VIS BHC 6 X 25 1093 NOIRE	SCREW BHC 6 X 25 NEGRO	TONILLO 6 X 25 ULS BLACK
23	4052	GROUPE FREIN ARRIERE FORMULA	REAR BRAKE COMPLETE FORMULA	CTO FRENO TRASERO FORMULA
24	C259	CHAPE PEDALE FREIN 0267	REAR BRAKE ROD	HORQUILLA PEDAL DE FRENO
25	M309	ECROU STANDARD M6 0317	NUT M6	TUERCA M6
26	C385	POMPE FREIN AR 9.5	REAR MASTER CYLINDER 9.5	BOMBA FRENO TRASERO 9.5
27	R069	TUBE LIQ. FREIN BOCAL/POMPE L210	OIL TANK TUBE L 210	TUBO LIQUIDO FRENO L 210
29	R066	BOCAL LIQUIDE FREIN	OIL TANK BRAKE	DEPOSITO LIQUIDO FRENO
30	4333	COURRONE 48D 4 TROUS	REAR SPROCKET 48D 4 HOLES	CORONA 48D 4 TALADROS
31	R074	RONDELLE BANJO	ALUMINIUM SEAL	ARANDELLA BANJO
32	3631	VALVE AR JANTE NER	TUBLESS VALVE RIM NER	VALVULA LLANTA NERVIO
33	R059	VIS RACCORD M10 X 21	LINK SCREW M10 X 21	TORNILLO RACORD M10 X 21
34	3771/1	DURITE FREIN ARRIERE	REAR BRAKE HOSE	LATIGUILLO FRENO TRASERO

Roue arriere / Rear wheel / Rueda trasera



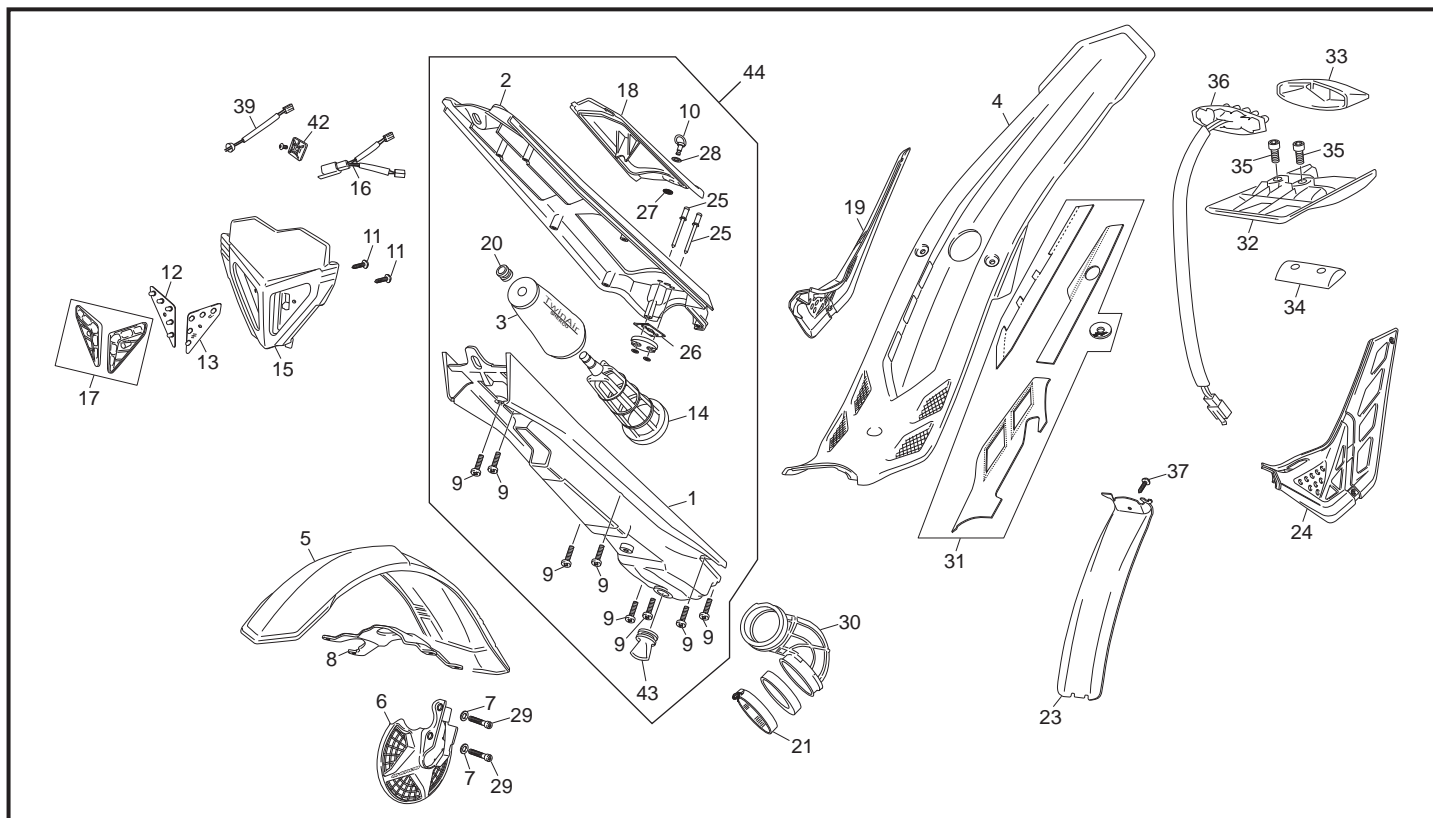
POS.	2.9	FRANÇAIS	ENGLISH	ESPAÑOL
35	R233	KIT REPARATION POMPE FREIN AR 2002	KIT BACK CALIPER 2002	KIT REPARATION PINZA FRENO TR 2002
36	4247	ETRIER FREIN ARRIERE FORMULA	REAR CALIPER FORMULA	PINZA FREINO TRASERO FORMULA
40	3390	JANTE ARRIE. OR NERVURE 32 RAYONS	REAR RIM GOLD NERVE 32 R	LLANTA TRASERA ORO NERVADA 32 R
41	C323	MOYEU ARRIERE 2002	REAR HUB 2002	BUJE TRASERO 2002
42	4248	KIT OR ETRIER ARRIERE FORMULA	KIT OR CALIPER BACK FORMULA	KIT TORICAS PINZA FRENO TR FORMULA
43	M282	VIS BHC 6 X 10 1093	SCREW BHC 6 X 10	TORNILLO 6 X 10 BHC
44	R034	ATTACHE RAPIDE DE CHAINE	CONNECTING LINK	ENGANCHE CADENA
45	4249	PLAQ. FREIN ARRRI. PAIRE FORMULA	REAR PAD BRAKE PAIR FORMULA	JUEGO PASTILLAS TRESERO FORMULA
47	M316	RONDELLE X 8 1405 08	WASHER X 8	ARANDELA 8 DIN 125 A
48	M305	ECROU NYLSTOP M8 0368.8	NUT NYLSTOP M8	TUERCA NYLSTOP M8
49	3391	RAY. DEMIE 165X3.5 NOIR COTE DISQ.	HALF SPOC. 165X3.5 BLACK SIDE BRAKE	RAD. SEMI 165X3.5 NEG. LADO DISC.
50	3392	RAY. L MINI 34.5X3.5 COTE DIS. NO.	MINI SPOC. L 34.5X3.5 SIDE BRAKE BL.	RAD. L MINI 34.5X3.5 LADO DISC. NEG.
51	3393	RAY. DEMIE 175X3.5 COTE COU. NO.	HALF SPOC. 175X3.5 SIDE TRANS BLACK	RAD. SEMI 175X3.5 LADO CORO. NEG.
52	3394	RAY. L MINI 35.5X3.5 COTE COU. NO.	SPOC. L MINI 35.5X3.5 SIDE TRANS BL.	RAD. L MINI 35.5X3.5 LADO CORO. NE.
53	3395	TENDEUR RAYON AR	REAR NIPPLE SPOCKE	TENSOR RADIO TRASERO

Guidon / Handlebar / Manillar



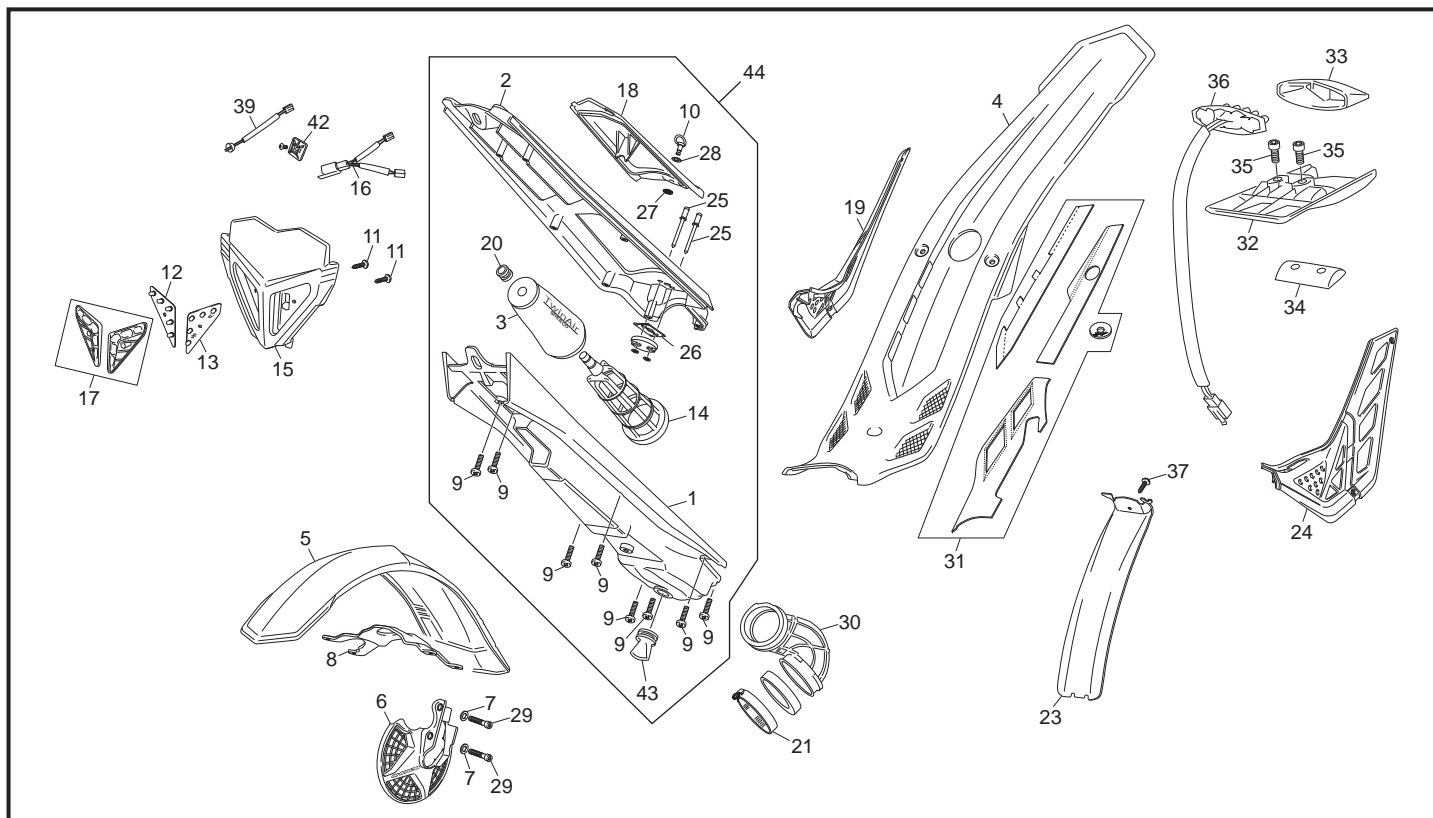
POS.	2.9	FRANÇAIS	ENGLISH	ESPAÑOL
1	1298	GUIDON TRIAL GRIS CABES REPLICA	HANDLEBAR TRIAL GRY CABES REPLICA	MANILLAR TRIAL GRIS CABES REPLICA
2	C074	COMMANDE DE GAZ	THROTTLE CONTROL	MANDO DE GAS
3	1662	POIGNEE CAOUTCHOUC PAIRE REA	GRIPS SET REA	JUEGO EMPUNADURAS REA
4	1362	CABLE DE GAZ KEIHIN	THROTTLE CABLE KEIHIN	CABLE DE GAS KEIHIN
5	R023	KIT REPARATION PISTON EMBRAYAGE	KIT REPAIR CLUTCH CYLINDER	KIT REPARACION PISTON EMBRAGUE
6	R024	TORIQUE 35 X 31 X 2 EMB/CARTER	O-RING 31 X 2 (CLUTCH)	TORICA 31 X 2 EMBRA/CARTER
7	4159	GRO. CPL POMPE EMB 9 MM FORMULA	COMP. CLUTCH MASTER CYLI. 9MM SET F	GRU. BOMBA EMBRAGUE COMP. 9MM F.
8	4163	LEVIER EMBRAYAGE SEUL FORMULA	BRAKE LEVER KIT FORMULA	MANETA EMBRAGUE SOLA FORMULA
9	3210	RECEPTEUR EMB CPL WI	RECEPTEUR CLUTCH CPL WI	PINZA EMBRAGUE CPL WI
10	4253	DURITE FREIN EMBRAYAGE FORMULA	CLUTCH/BRAKE HOSE FORMULA	CLUTCH/BRAKE HOSE FORMULA
11	4051	GROUPE CPL EMB TR 11	COMPLETE CLUTCH SET TR 11	GRUPO EMBRAGUE COMPLETO TR 11
14	4250	ETRIER FREIN AVANT DOUBLE PISTON F.	FRONT CALIPER 2 PISTON FORMULA	PINZA FRENO DEL DOBLE PISTON F.
15	4252	PLAQUETTES FREIN AVANT PAIRE F.	FRONT PAD BRAK PAIR FORMULA	JUEGO PASTILLAS FRENO DEL JUEGO F.
16	4251	KIT OR ETRIER AVANT DOUBLE PIST F.	KITOR FRONT CALIPER FORMULA	KIT TORICAS PINZA FRENO DEL FORMULA
17	4165	KIT REPARATION PISTON EMB 9MM F.	PISTON CLUTCH KIT 9MM FORMULA	KIT REPARACION PISTON EMBR. 9MM F.
18	4163	LEVIER EMBRAYAGE SEUL FORMULA	BRAKE LEVER KIT FORMULA	MANETA EMBRAGUE SOLA FORMULA
19	4167	GRO. CPL POMPE FREIN AVANT 10 MM F.	COMP. RH MASTER CIYLINDER 10MM F.	CTO BOMBA FRENO DELANTERO F.
20	R057	PURGEUR ETIER AVANT	PURGE STIRRUP SCREW	SANGRADOR DELANTERO
21	R058	CAPUCHON VIS DE PURGE	HOOD SCREW PURGE	TAPON SANGRADOR
22	R059	VIS RACCORD M10 X 21	LINK SCREW M10 X 21	TORNILLO RACORD M10 X 21
23	R043	GUIDE DURITE FREIN AV	GUIDE FRONT BRAKE HOSE	GUIA LATIGUILLO
25	3213	RONDELLE BANJO M8	ALUMINIUM SEAL M8	ARANDELLA BANJO M8
26	3776	GRO. FREIN AVANT F. DOUBLE PISTON	FRONT BRAKE GROUP FORMULA	CTO FRENO DELANT. F. DOBLE PISTON
27	3214	RACCORD M8 AVEC PURGEUR	RACCORD M8 W PURGE	RACORD M8 CON PURGADOR
28	R236	AXE ETRIER FREIN AV DL/PISTON	PIN FRONT CALIPER DL PISTON	EJE PINZA FRENO DL/PISTON
29	M252	VIS CHC 6 X 20 0084	SCREW CHC 6 X 20	TORNILLO 6 X 20 DIN 912
30	M283	VIS BHC 6 X 16 1093	SCREW BHC 6 X 16	TORNILLO 6 X 16 ULS
31	M306	ECROU NYLSTOP M6 0368.6	NUT NYLSTOP M6	TUERCA NYLSTOP M6
32	M317	RONDELLE 6 X12 0407 6	WASHER X 6	ARANDELA 6 DIN 125 A
36	1227	MOUSSE GUIDON TRIAL 07	FOAM HANDLEBAR 07	ESPUMA MANILLAR TRIAL 07
37	4170	KIT REPARA. PISTON POMPE 10MM F.	PISTON KIT 10MM FORMULA	KIT REPARA. PISTON BOMBA 10MM F.
38	4164	KIT REGULATION LEVIER FORMULA	ADJUSTEMENT LEVER KIT FORMULA	GRUPO REGULACÓ MANETA FORMULA
39	4166	KIT FIXATION LEVIER FORMULA	LEVER FIXING KIT SCREW FORMULA	KIT FIJACIÓN MANETA FORMULA

Plastiques / Plastics / Plásticos



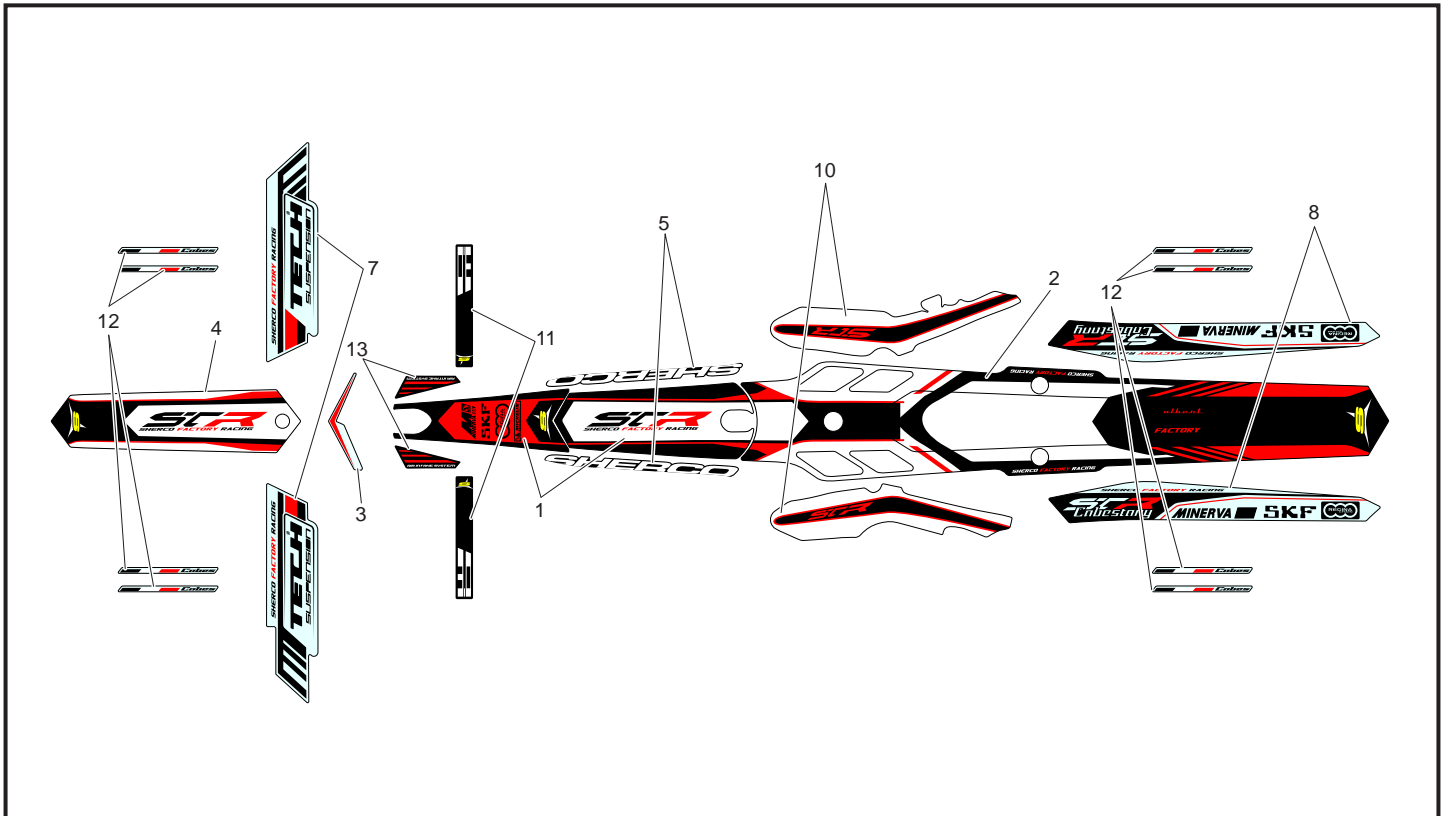
POS.	2.9	FRANÇAIS	ENGLISH	ESPAÑOL
1	3588	CORPS FILTRE INF 2012	BODY FILTER INF 2012	CUERPO FILTRO INF 2012
2	3589	CORPS FILTRE SUP 2012	BODY FILTER 2012	CUERPO FILTRO 2012
3	3590	MOUSSE DE FILTRE 2012	FOAM FILTER 2012	ESPUMA DE FILTRO 2012
4	3608	PARE BOUE ARRIERE BLANC TR 12	REAR MUDGUARD WHITE TR 12	GUARDABARRO TRASERO BLANCO TR 12
5	3161	PARE BOUE AVANT BLANC TR 11	FRONT MUDGUARD WHITE TR 11	GUARDABARRO DEL. BLANCO TR 11
6	3400	ARCEAU FOURCHE TS	MUDGUARD HOLDER TS	PUENTE SUSPENSION TS
7	C031	ENTRETOISE PARE DISQUE	SPACER DISC COVER	SEPARADOR CUBREDISCOS DEL.
8	2253	ARCEAU FOURCHE 2010	F/MUDGUARD HOLDER 2010	PUENTE SUSPENSION 2010
9	2266	VIS SPECIAL PLASTIQUE	PLASTIC SPECIAL SCREW	TORNILLO ESPECIAL PLASTICO
10	2267	DZUS DE FILTRE 2010	FILTER DZUS 2010	DZUS DE FILTRO 2010
11	M335	VIS TOLE 3.9 X 16	SCREW TOLE 3.9 X 16	TORNILLO TOLE 3.9 X 16
12	2360	LED AVANT DROITE 2010	FRONT RIGHT BULB 2010	LED DELANTERO DERECHO 2010
13	2361	LED AVANT GAUCHE 2010	FRONT LEFT BULB 2010	LED DELANTERO IZQUIERDO 2010
14	3587	GRILLE FILTRE 2012	FILTER PROTECTOR 2012	REJILLA FILTRO 2012
15	3163	PLAQUE PHARE NOIR TR 11	PLASTIC LIGHT COVERT BLACK TR 11	PLACA FARO NEGRA TR 11
16	2821	FAISEAU OPTIQUE TRIAL 2010	FRONT LIGHT CABLE SYSTEM TRIAL 2010	INSTALATION OPTICA TRIAL 2010
17	2358	OPTIQUE DOUBLE 2010	DOUBLE FRONT LIGHT 2010	OPTICA DOBLE 2010
18	3524	COUVERCLE FILTRE 2012	AIR FILTER BOX COVER 2012	TAPA FILTRO 2012
19	2257	GRILLE PROTECTEUR ECHAPEMENT 2010	PROTECTOR EXHAUST COVER 2010	REJILLA PROTECTOR ESCAPE 2010
20	C118	SILENT BLOC RADIATEUR	SILENT-BLOC RADIATOR	SILENT-BLOC RADIADOR
21	0595	COLL. KC060 MAN. CORP INJ. END450	COLLAR KC060 HOSE BODY INJ. END450	BRIDA TOB. KC060 CUERP. INY. END450
23	2364	BAVETTE AM 2010	REAR SHOCK COVER 2010	PROTECTOR AMORTIGUADOR 2010
24	2258	GRILLE PROTECTEUR RESERVOIR 2010	PROTECTOR TANK COVER 2010	REJILLA PROTECTOR DEPOSITO 2010
25	2268	RIVET ZEBRA 2.4 X 9	RIVET POP DIAM 2.4 X 9	REMACHE 2.4 X 9
26	2317	PLAQUE DZUS TRIAL	PLAQUE DZUS TRIAL	PLAQUE DZUS TRIAL
27	2318	RONDELLE VEROUILLAGE DZUS TRIAL	WASHER RETENTION DZUS TRIAL	ARANDELLA RETENCION DZUS TRIAL
28	2319	RONDELLE PLASTIQUE DZUS TRIAL	WASHER PLASTIQUE DZUS TRIAL	ARENDELA PLASTICO DZUS TRIAL
29	M267	VIS CHC 4 X 16 0084	SCREW VIS CHC 4 X 16	TORNILLO 4 X 16 ALLEN
30	3592	RACCORD FILTRE CARBU 2T TR 12	MANIFOLD FILTER/CARBU 2T TR 12	TOBERA FILTRO CARBU 2T TR 12
31	2275	ADESIF THERMIQUE GB AR JEU 2010	SET THERMIC STECKER MUDGUARD 2010	PROTEC. TERMICO GB TRAS JUEGO 2010
32	2048	SUPPORT FEU ARRIERE TR 09	FIXATION RED LIGHT TR 09	SOPORTE LUZ TRASER TR 09
33	2049	FEU ARRIERE TR 09	REA LIGHT TR 09	LUZ TRASERA TR 09
34	2047	FIXATION SUPPORT IMMATRI. TR 09	FIXATION MATRI. SUPPORT TR 09	SUJECION SOPORTE MATRICULA TR 09
35	2052	VIS BHC 5 X 20	SCREW BHC 5 X 16	TORNILLO 5 X 20 ULS
36	2035	LED ARRIERE 09 TR	REAR BULB 09 TR	LED TRASERO 09 TR
37	M345	VIS BHC 6 X 12 CAROSSERIE	SCREW BHC 6 X 12 BODY	TORNILLO BHC 6 X 12 CAROSSERIA

Plastiques / Plastics / Plásticos



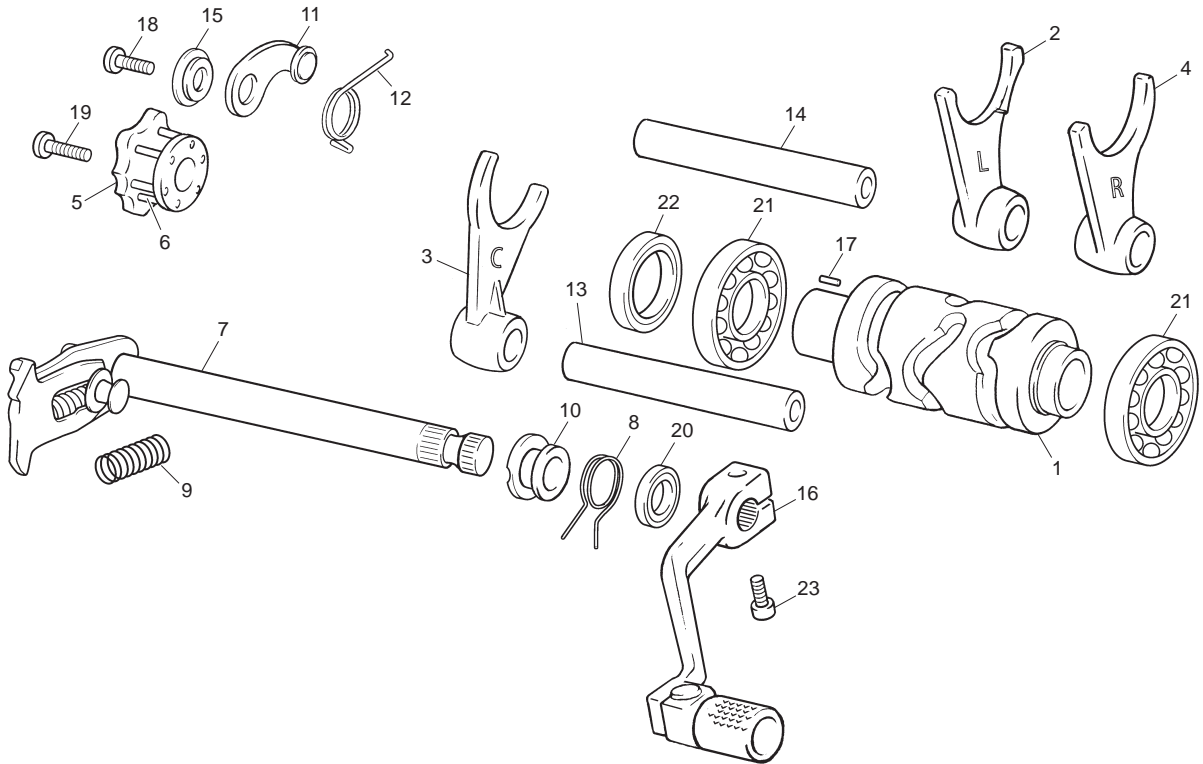
POS.	2.9	FRANÇAIS	ENGLISH	ESPAÑOL
39	2921	INTERUPTEUR LUMIERE TRIAL 2010	FRONT LIGHT STOP TRIAL 2010	INTERUPTOR LUCES TRIAL 2010
42	3202	FIXATION INTERRUPTOR LUMIERE	STRAP FIX INT	LAPA FIJACION INTERRUPTOR
43	1167	VALVE CAISSE FILTRE	VALVE BOX FILTER	VALVULA CAJA FILTRO
44	3525	BOÎTE FILTRE COMPLE TR 12	COMPLET FILTER BOX TR 12	CAJA FILTRO COMPLETO TR 12

Adhesif / Stiker / Adhesivo



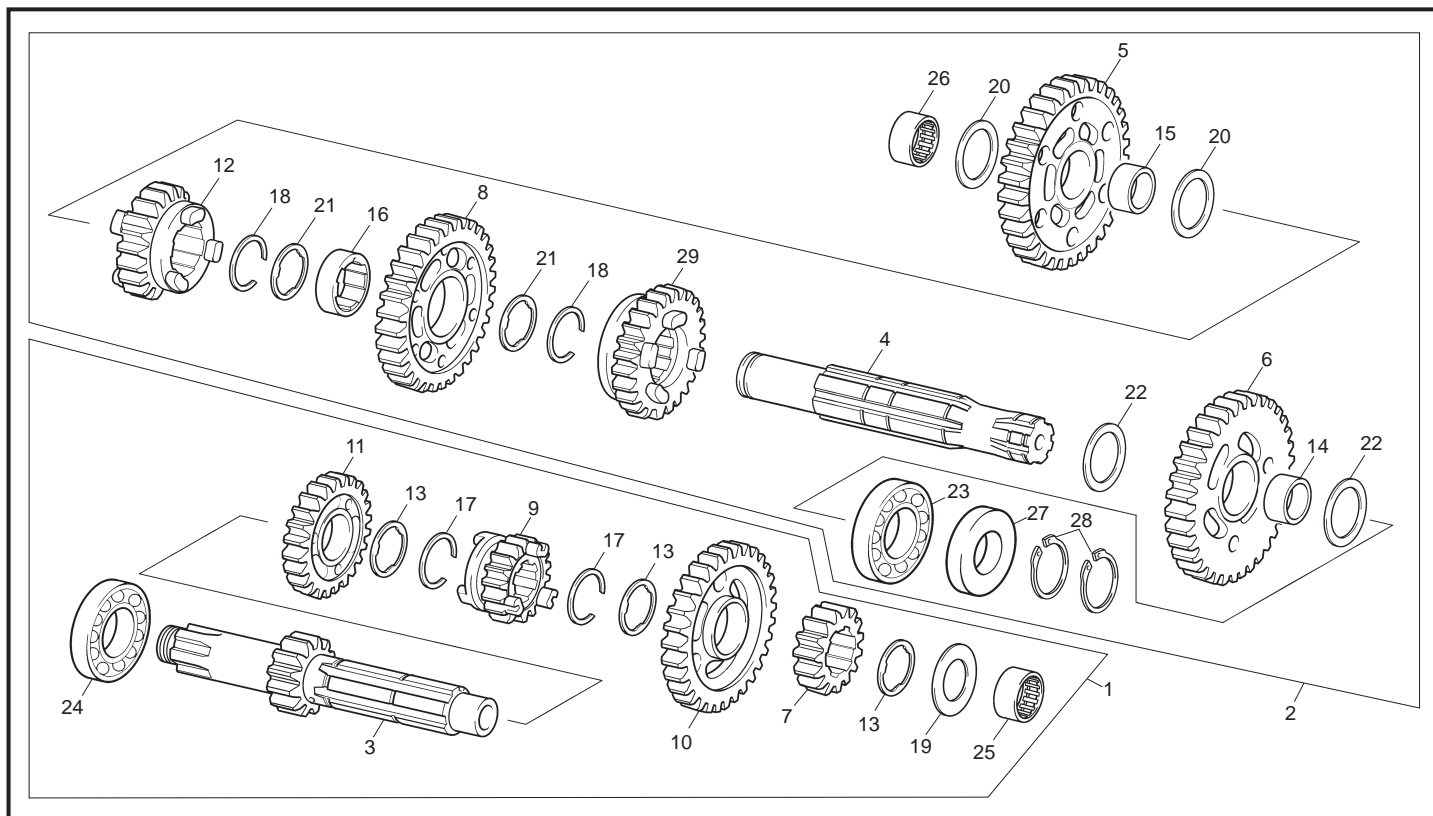
POS.	2.9	FRANÇAIS	ENGLISH	ESPAÑOL
1	4440	ADHE. BOITE FILTRE AIR JEU CABES TR 12	STICK. AIRBOX SET CABESTANY TR 12	ADHE. CAJA FILTRO JUEGO CABE TR 12
2	4445	ADHESIF GB AR CABESTANY TR 12	MUDGUARD BACK STICKER CABES TR	ADHESIVO GB TRAS CABESTANY TR 12
3	4441	ADHE.PLAQUE PHARE CABESTANY TR 12	FRONT LIGHT STICKER CABES TR 12	ADHESIVO PLACA FARO CABESTANY TR 12
4	4442	ADHESIF GB AV CABESTANY TR 12	MUDGUARD FRONT CABES STICKER	ADHESIVO GB DEL CABESTANY TR 12
5	3601	ADHESIF LOGO GOTA BLANC JEU	STICKER LOGO DROP WHITE KIT	ADHESIVO LOGO GOTA BLANCO JUEGO
6	4447	ADHE. FOURCHE TRIAL CABESTANY TR 12	STICKERS FORK CABESTANY TR 12	ADHESIVO HORQUILLA CABESTANY TR 12
7	4444	ADHESIF BRAS JEU CABESTANY TR 12	SWINGARM STICKER KIT CABES TR 12	ADHE. BASCULANTE CABES JUEGO TR 12
8	4446	ADHESIF PROTEC CADRE JEU CABES TR 12	FRAME PROTECTOR STICKER KIT CABES	ADHE. PROTECTOR CHASSIS JUEGO CABES
9	4443	ADHESIF ST 3.0 JEU CABESTANY TR 12	ST 3.0 STICKER KIT CABESTANY TR 12	ADHESIVO ST 3.0 JUEGO CABESTANY TR 12
10	4448	ADHESIF ROUE JEUX CABES TR 12	STICKERS WHEEL SET CABES TR 12	ADHESIVO RUEDA JUEGO CABES TR 12
11	3719	ADHESIF AIR INTAKE JEU TR12	STICKER AIR INTAKE KIT TR12	ADHESIVO AIR INTAKE JUEGO TR12

Selecteur / Gear selector group / Selector cambio



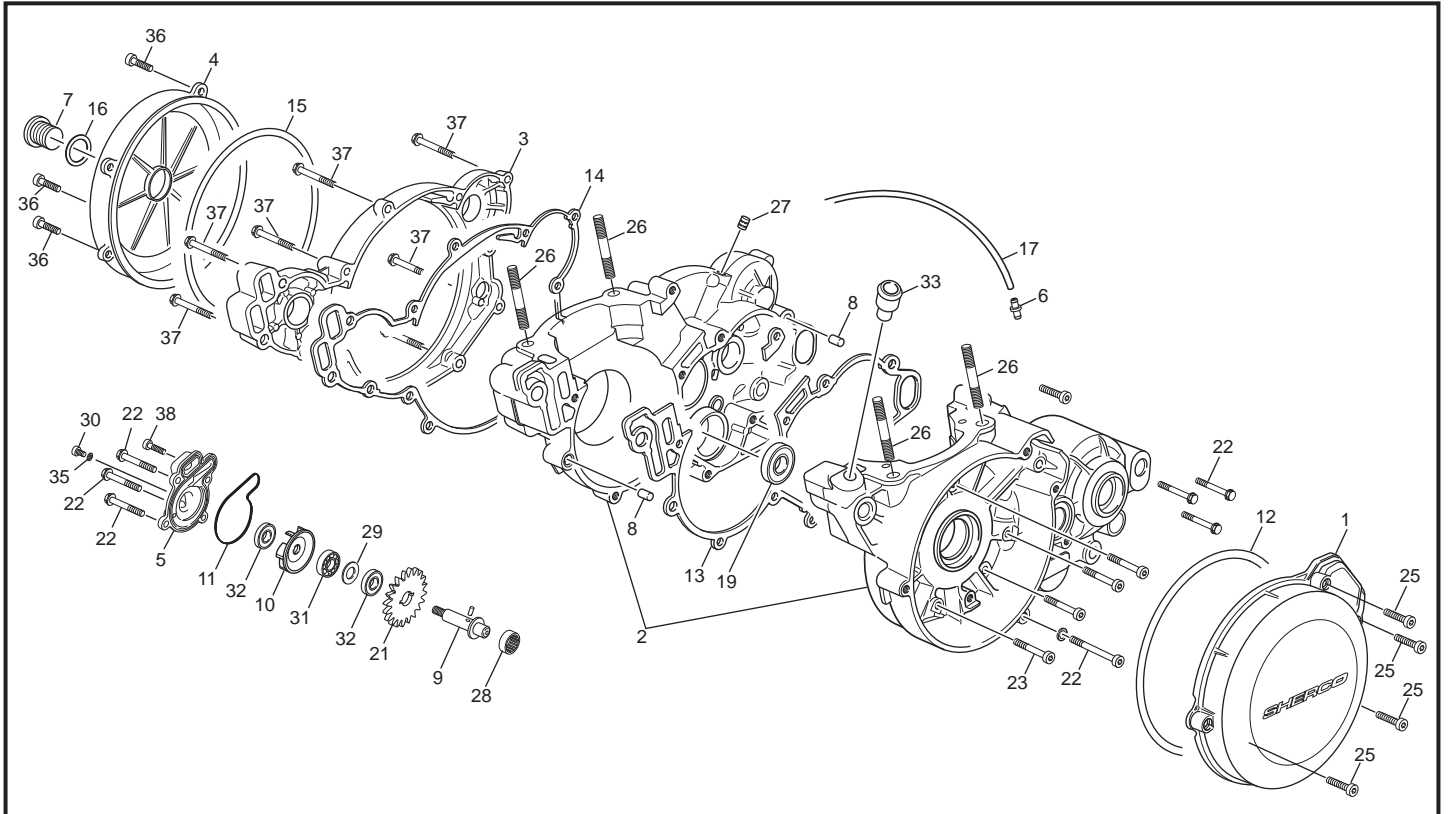
POS.	2.9	FRANÇAIS	ENGLISH	ESPAÑOL
1	M100	TAMBOUR DE SELECTION	SELECTOR DRUM	DESMODROMICO SELECTOR
2	M102	FOURCHETTE L	L FORK	HORQUILLA L
3	M103	FOURCHETTE C	C FORK	HORQUILLA C
4	M104	FOURCHETTE R	R FORK	HORQUILLA R
5	M105	ETOILE DE SELECTION CPL	INDEX SHIM	ESTRELLA SELECTOR
6	M106	PION ETOILE INA NRA 3X17.8	NEEDLE PIN NRA3X17.8	AGUJA DE LA ESTRELLA INA NRA3X17.8
7	M107	ARBRE DE SELECTEUR CPL	SHIFT SHAFT WITH PAWL ASSY	ARBOL SELECTOR
8	M110	RESSORT RAPPEL SELECTION	SPRING SHIFT LEVER	MUELLE RETORNO SELECTOR
9	M111	RESSORT RAPPEL COULISSEAU	SPRING COULISSEAU	MUELLE RETORNO ESORPION
10	M113	DOUILLE CENTRAGE RESSORT RAPPEL	SPACER SPRING SHIFT LEVER	CASQUILLO CENT. MUELLE RETORNO
11	M114	LEVIER DE VERROUILLAGE CPL	INDEX LEVER ASSY	PALANCA DE CIERRE SELECTOR
12	M117	RESSORT DE RAPPEL LEVIER VERROUIL	INDEX SPRING	MUELLE RETORNO PALANCA DE CIERRE
13	M118	AXE DE FOURCHETTE COURT	FORK SPINDLE	EJE DE HORQUILLA CORTO
14	M119	AXE DE FOURCHETTE LONG	FORK SPINDLE LONG	EJE DE HORQUILLA LARGO
15	M121	DOUILLE LEVIER VERROUILLAGE	SPACER INDEX LEVER	CASQUILLO PALANCA CIERRE
16	1981	SELECTEUR EXTERIEUR TRIAL RACING	SHIFT LEVER ASSY TRIAL RACING	PALANCA DE CAMBIO TRIAL RACING
17	M122	PION CLAVETAGE ETOILE NRA3X11.8	NEEDLE PIN NRA3X11.8	AGUJA POSICI. ESTRELLA NR3X11.8
18	M251	VIS CHC 6 X 16 0084	SCREW CHC 6 X 16	TORNILLO 6 X 16 DIN 912
19	M253	VIS CHC 6 X 30 0084	SCREW CHC 6 X 30	TORNILLO 6 X 30 DIN 912
20	M126	JOINT LEVRE 12 X 19 X 5 DL	OIL SEAL 12X19X5	RETEN12X19X5 DL
21	M123	ROULEMENT 25X37X7 R61805	BEARING 25X37X7 R61805	COJINETE 25X37X7 R61805
22	M124	JOINT A LEVRE G28X37X4	OIL SEAL G28X37X4	RETEN G28X37X4
23	M252	VIS CHC 6 X 20 0084	SCREW CHC 6 X 20	TORNILLO 6 X 20 DIN 912

Boite a vitesses / Gear set / Cambio



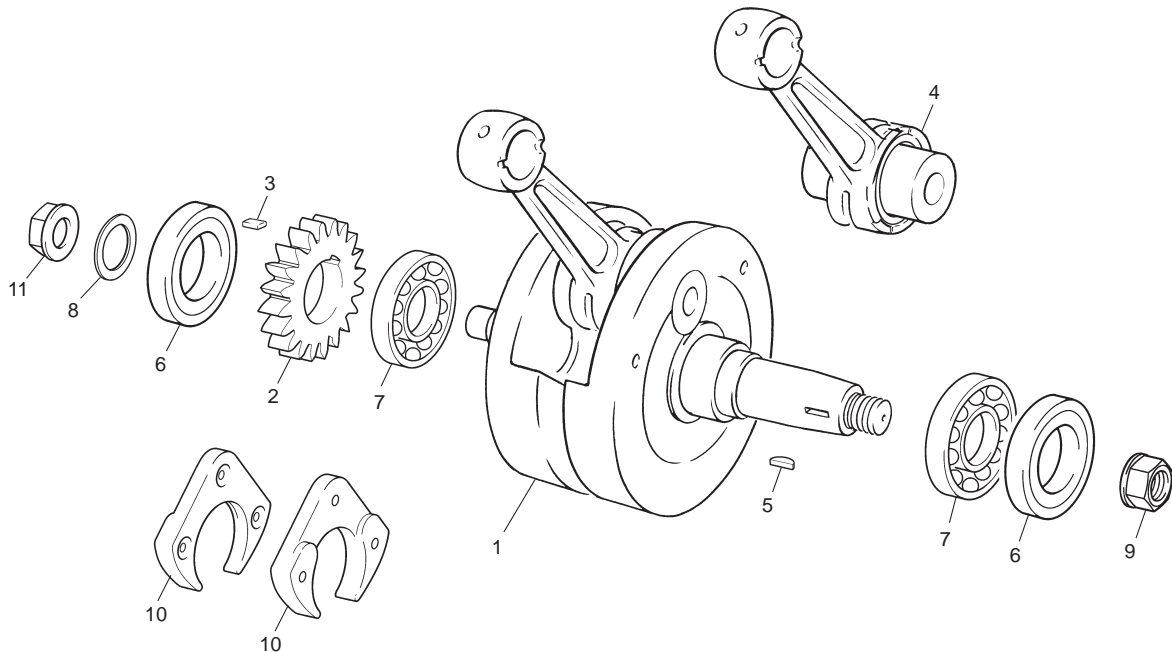
POS.	2.9	FRANÇAIS	ENGLISH	ESPAÑOL
1	M390	ENSEMBLE ARBRE PRIMAIRE 03	GROUP FIRST SHAFT WITH PINION 03	CJTO EJE PRIM CAMBIO 03
2	M391	ENSEMBLE ARBRE SECONDAIRE 03	GR. SECOND SHAFT WITH PINION 03	ENSEMBLE ARBRE SECONDAIRE 03
3	M374	ARBRE PRIMAIRE / PIGNON 1ERE EVOL 2	GEAR CLUTCH SHAFT EVOL 2	EJE PRIMARIO EVOL 2
4	M054	ARBRE SECONDAIRE	MAINSHAFT	EJE SECUNDARIO
5	M367	PIGNON SECONDAIRE 1ERE EVOL 2	PINION SECOND 1ERE EVOL 2	PINION SECOND 1ERE EVOL 2
6	M056	ROUE LIBRE DE 2EME	FREE PINION 2 EME	CORONA DE 2a
7	M057	PIGNON FIXE DE 2 EME	GEAR PINION 2EME	PINON DE 2a
8	M058	ROUE LIBRE DE 3 EME	FREE PINION 3 EME	CORONA DE 3a
9	M059	PIGNON BALADEUR DE 3EME	GEAR PINION 3 EME	PINON DESPLAZABLE 3a
10	M061	ROUE LIBRE DE 5 EME	GEAR PINION 5 EME	CORONA DE 5a
11	M062	PIGNON LIBRE DE 4 EME	FREE PINION 4 EME	PINON DE 4a
12	M063	ROUE BALADEUSE DE 4 EME	FREE PINION 4 EME	CORONA DESPLAZABLE DE 4a
13	M064	RONDILLE CRENEAUX 20X24X1	GEAR WASHER 20X24X1	ARANDELA ESTRIADA 20X24X1
14	M065	DOUILLE ANTI FRICTION 1ERE	BUSH 1ERE	CASQUILLO ANTI-FRICCION 1a
15	M066	DOUILLE ANTI FRICTION 2EME	BUSH 2 EME	CASQUILLO ANTI-FRICCION 2a
16	M067	DOUILLE ANTI FRICTION 3EME	BUSH 3 EME	CASQUILLO ANTI-FRICCION 3a
17	M068	SEGMENT ARRET WR 20	RETAINING WR 20	SEGER WR 20
18	M069	SEGMENT ARRET WR 22	RETAINING WR 22	SIGER WR 22
19	M070	RONDILLE INA ARBRE PRIMAIRE 15X28X1	THRUST WASHER 15X28X1	ARANDELLA INA EJE PRIMARIO 15X28X1
20	M071	RONDILLE ARBRE SECONDAIRE 17X27X1	MAINSHAFT WASHER 17X27X1	ARANDELLA EJE SECUNDARIO 17X27X1
21	M072	RON. CRENEAU ARBRE SECOND. 22X28X1	WASHER 22X28X1	ARAN. ESTR. EJE SECUNDARIO 22X28X1
22	M073	RONDILLE ARBRE SECONDAIRE 20X27X1	MAINSHAFT WASHER 20X27X1	ARANDELA EJE SECUNDARIO 20X27X1
23	M074	ROULEMENT 20X47X14	BEARING 20X47X14	COJINETE 20X47X14
24	M075	ROULEMENT 20X47X14 2RSH	BEARING 20X47X14 2RSH	COJINETE 20X47X14 2RSH
25	M076	DOUILLE AIGUILLE 15X21X12	NEEDLE BEARING 15X21X12	CASQUILLO DE AGUJAS 15X21X12
26	M077	DOUILLE AIGUILLE HK1712B	NEEDLE BEARING 17X23X12	CASQUILLO DE AGUJAS 17X23X12
27	M078	JOINT DOUBLE LEVRE 20X30X7	OIL SEAL 20X30X7	RETEN DOBLE LABIO 20X30X7
28	M350	SEGMENT ARRET WR 20 SORTIE BOITE	SEGMENT ARRET WR 20	SEGMENT ARRET WR 20
29	M060	PIGNON BALADEUR DE 5 EME	FREE PINION 5 EME	PINON LIBRE 5a

Groupe carters / Crankcase assembly / Grupo carters

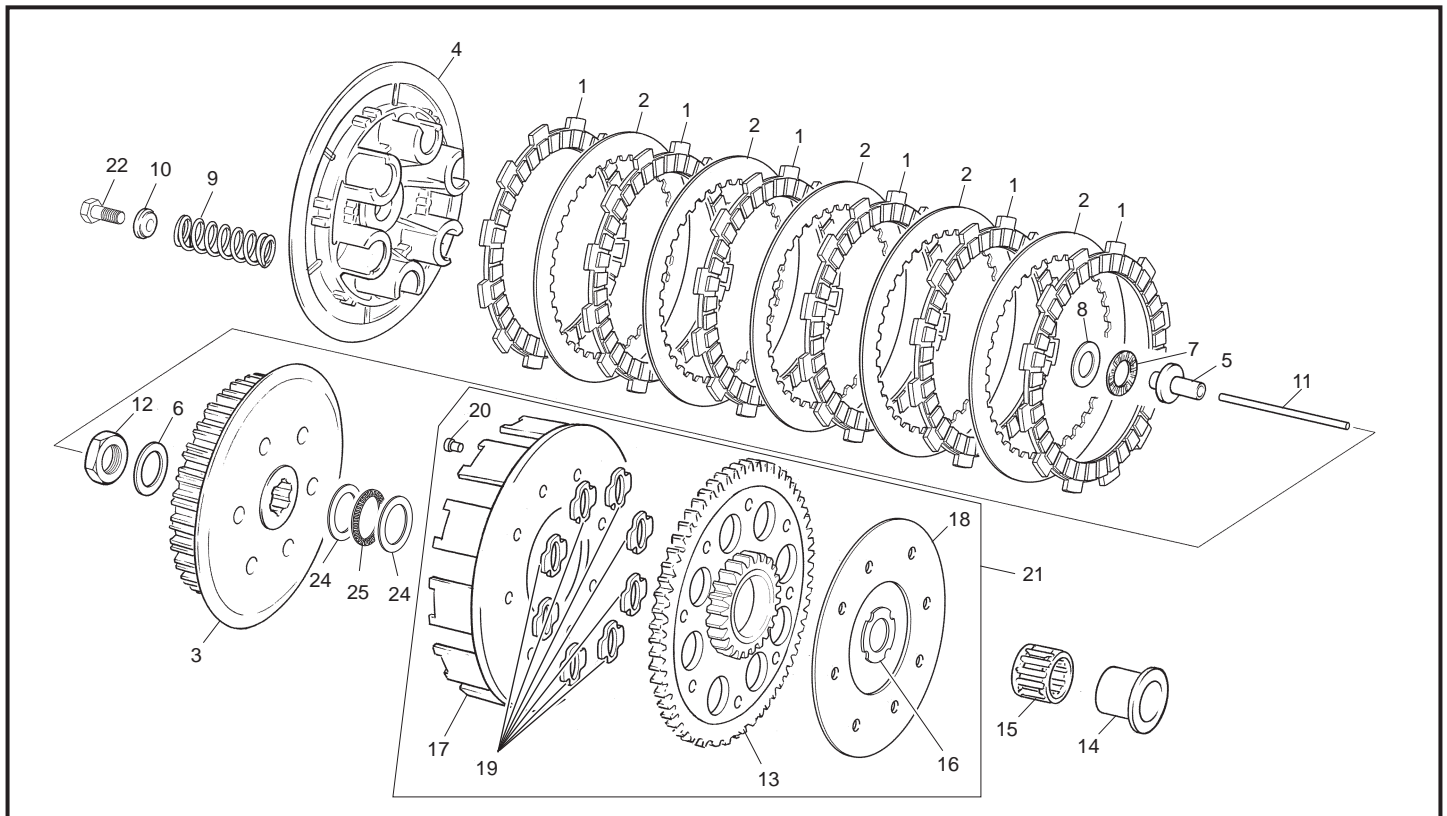


POS.	2.9	FRANÇAIS	ENGLISH	ESPAÑOL
1	3142	CARTER ALLUMAGE TR 11	IGNITION COVER TR 11	TAPA ENCENDIDO TR 11
2	3129	GP CARTERS CENTRAUX 125 TR 11	CRANCKCASES SET 125 TR 11	CARTERS CENTRALES 125 TR 11
3	3130	CARTER LATÉRAL DROITE TR 11	BOTTOM CLUTCH COVER TR 11	CARTER LATÉRAL DERECHO TR 11
4	4438	COUVERCLE EMBRAYAGE TR 11 NOIR	CLUTCH COVER TR 11 BLACK	TAPETA EMBRAGUE TR 11 MEGRA
5	4439	COUVERCLE POMPE EAU TR 11	WATER PUMP COVER TR 11	TAPA BOMBA AGUA TR 11
6	M016	RENIFLAR CARTER CENTRAL ROUGE	AIR VENT CRANCKCASES RED	DEPRESOR CARTERS ROJA
7	M021	BOUCHON REMPLISSAGE HUILE	CARTER FILTER TAP	TAPON LLENADO ACEITE CARTER
8	M022	DOUILLE CENTRAGE CARTER	DOUILLE CENTRAGE CARTER	CASQUILLO CENTRADOR CARTER
9	M363	AXE POMPE EAU EVOLUTION 3	WATER PUMP AXELE EVOLUTION 3	EJE BOMBA AGUA EVOLUTION 3
10	M351	TURBINE POMPE EAU EVOLUTION2	WATERPUMP TURBINE EVOLUTION2	TURBINA BOMBA AGUA EVOLUTION2
11	3133	JOINT COUVERCLE POMPE EAU TR 11	RING WATER PUMP COVER TR 11	JUNTA TAPA BOMBA AGUA TR 11
12	3158	JOINT CARTER ALUMAGE 160X2 TR 11	O-RING IGNITION COVER 160X2 TR11	JUNTA TOR. TAPA ENCEN. 160X2 TR11
13	3134	JOINT CART. CENT. 125/200CC 11 TR	CENT. CRANCK. GASKET 125/200 11TR	JUNTA CARTER CENT. 125/200 11 TR
14	3135	JOINT CARTER LATÉRAL TR 11	CLUTCH GASKET TR 11	JUNTA CARTER LATÉRAL TR 11
15	3141	JOINT TORIQUE 160X1.5	O-RING 160X1.5	JUNTA TORICA 160X1.5
16	M162	TORIQUE 10X2.5 BOUCHON HUILE	O-RING 10X2.5 OIL PLUG	TORICA 10X2.5 TAPON ACEITE
17	M017	DURITE RENIFLARD 3X5	TUBE AIR VENT CRANCKCASES 3X5	TUBO DEPRESOR 3X5
19	3128	JOINT DOUBLE LEVRES 17X24X5	OIL SEAL 17X24X5	RETEN DOBLE LABIO 17X24X5
21	M364	PIGNON POMPE EAU NYLON	PINIO WATER PUMP NYLON	PIGNON BOMBA AGUA NYLON
22	0549	VIS TH EP 6 X 45	SREW TH EP 6 X 45	TORNILLO TH EP 6 X 45
23	3235	VIS TH EP 6 X 50	SCREW TH EP M6 X50	TORNILLO TH EP M6 X50
24	M277	RONDELLE ALU M5 0463 5X10	GASKET RING X5	ARANDELA ALUMINIO X5
25	3269	VIS CHC 5 X 20 0084	SCREW CHC 5 X 20	TORNILLO 5 X 20 ALLEN
26	M291	GOUJON DE CYLINDRE 8 X 46	STUD CYLINDRE 8 X 46	ESPARRAGO CILINDRO 8 X 46
27	2386	BOUCHON CANALISATION HUILE 6X8	LUBRICATION CAP 6X8	TAPA CANALIZACION 6X8
28	M029	ROUL. AIGUILLE POMPE EAU HK0808	WATER PUMP NEEDLE BEAR. HK 0808	COJ. AGUJAS BOMBA AGUA HK 0808
29	M030	ROND. BUTÉE POMPE A EAU 8X16X1	WATERPUMP BUSH 8X16X1	ARANDELA BOMBA AGUA 8X16X1
30	M288	VIS CHC 5X6 1093	SCREW CHC 5X6	TORNILLO CHC 5X6
31	M027	ROUL.BILLE POMPE EAU 608.2RSH	WATER PUMP BEARING 608.2RSH	COJINETE BOMBA AGUA 608.2RSH
32	M031	JOINT POMPE A EAU 8X20X5DL	WATER PUMP SEAL 8X20X5DL	RETEN BOMBA AGUA 8X20X5DL
33	3143	RACCORD DURITE CARTER RAD. 11	WATER CONEXION 11	CONEC. TUBO AGUA CART.-RAD. 11
35	M277	RONDELLE ALU M5 0463 5X10	GASKET RING X5	ARANDELA ALUMINIO X5
36	0550	VIS TH EP 6 X 55	SREW TH EP 6 X 55	TORNILLO TH EP 6 X 55
37	0970	VIS TH EP 6 X 25	SCREW TH EP M6 X 25	TORNILLO TH EP M6 X 25
38	0546	VIS TH EP 6 X 20	SREW TH EP 6 X 20	TORNILLO TH EP 6 X 20

Villebrequin assemble / Crankshaft assembly / Cigüeñal biela

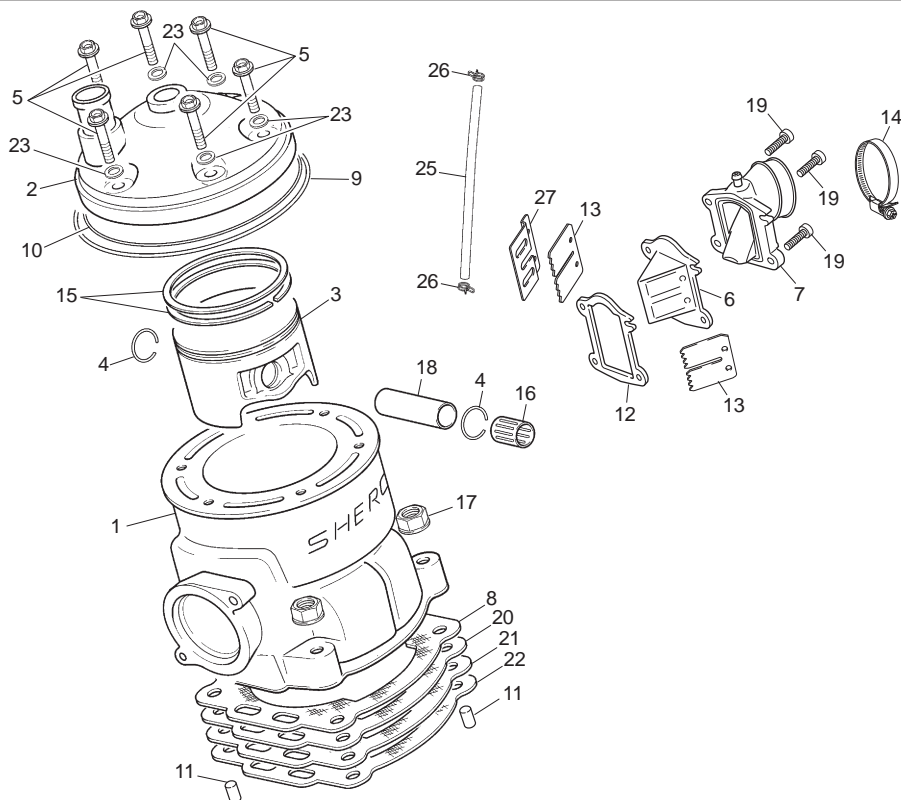


POS.	2.9	FRANÇAIS	ENGLISH	ESPAÑOL
1	3152	VILEBREQUIN COMPLET 125/200CC 11 TR	CRANCK SHAFT 125/200CC 11 TR	CIGUENAL COMPLETO 125/200CC 11 TR
2	M200	PIGNON PRIMAIRE	PINION PRIMARY DRIVE	PINON PRIMARIA
3	M204	CLAVETTE PIGNON PRIMAIRE	WOODRUFF KEY PRIMARY DRIVE	CHAVETA PINON PRIMARIA
4	R021	KIT BIELLE 125/200	ROD KIT 125/200	KIT BIELA 125/200
5	M023	CLAVETTE DEMI LUNE VILO	WOODRUFF KEY	CHAVETA ENCENDIDO
6	M032	JOINT 25 X 40 X 7 DL VILO 125/200CC	CRANKSHAFT SEAL 125/200CC	RETEN 25 X 40 X 7 DL CIGUE 125/200CC
7	M028	ROULEMENT BILLE VILO 6206.2RSTN9/C4	CRANKSHAFT BEAR. 6206.2RSTN9 C4	COJINETE CIGUENAL 6206.2RSTN9 C4
8	M206	ROND. BELLEVILLE 14.2X28X1.5 REF0887	SPRING WASHER	ARANDELA CONICA 14.2,28X1.5
9	M295	ECROU 14 X 125	HEX NUT M14 X 125	TUERCA M14 X 125
10	C309	BOUCHON PLASTIC DE VILO 2002	HANDCRAFT PLASTIC PLUG 2001	TAPON INTERNO DE CIQUENAL 2001
11	3144	ECROU 14 X 125 H 7.5 TR11	HEX NUT M14 X 125 H 7.5 TR11	TUERCA M14 X 125 H 7.5 TR11

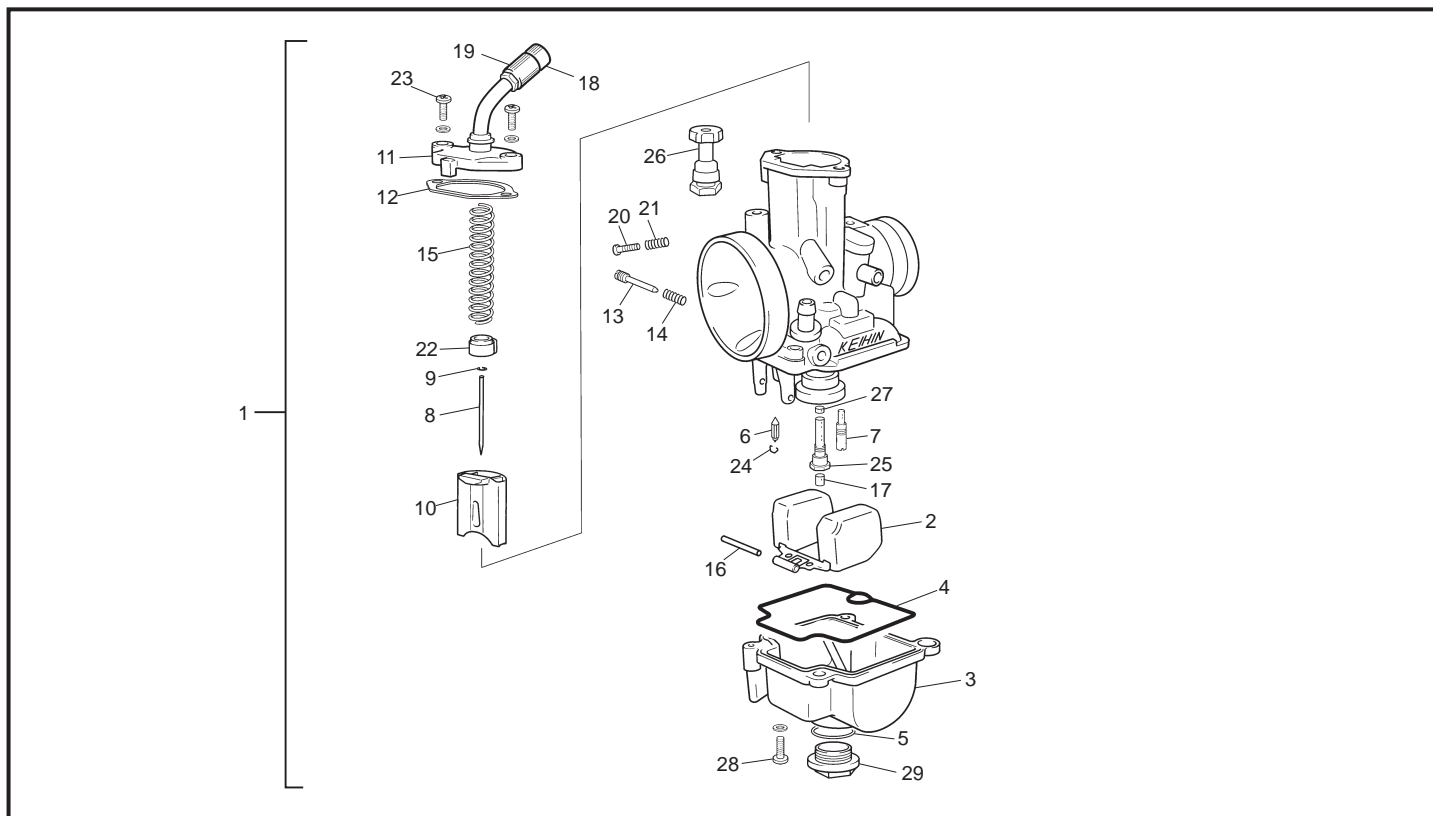
Embrayage / Clutch / Embrague


POS.	2.9	FRANÇAIS	ENGLISH	ESPAÑOL
1	M080	DISQUE GARNI	FRICTION CLUTCH DISK	DISCO EMBRAGUE FORRADO
2	M081	DISQUE LISSE	METAL CLUTCH DISK	DISCO EMBRAGUE METALICO
3	4100	NOYAU POUR ROULEMENT	CLUTCH HUB FOR BEARING	CUBO EMBRAGUE PARA RODAMIENTO
4	M084	PLATEAU	CLUTCH SPRING HOLDER	PLATO EMBRAGUE
5	M085	POUSSOIR AXIAL	CLUTCH PULLER	PULSADOR AXIAL
6	M087	RONDELLE BELLEVILLE 16.3X31.5X2	FIXING BUSH 16.3X31.5X1.5	ARANDELLA FIJACION 16.3X31.5X1.5
7	M090	BUTEE AIGUILLE EMBAXK1226A	CLUTCH BEARING	CORONA AXIAL AGUJAS AXK1226A
8	M091	RONDELLE BUTEE AS12.26.1	WASHER AS 12.26.1	ARANDELA AS 12.26.1
9	M092	RESSORT EMB	CLUTCH SPRING	MUELLE EMBRAGUE
10	M093	RONDELLE EMB	CLUTCH WASHER FOR SPRING	ARANDELA EMBRAGUE EMBOUTIDA
11	M086	TIGE DE POUSSEE	CLUTCH SPINDLE	VARILLA EMBRAGUE
12	M293	ECROU NOYAU EMB M16X125	HEX NUT CLUTCH M16X125	TUERCA CUBO EMBRAGUE M16 X125
13	M201	ROUE PRIMAIRE	WEEL PRIMARY DRIVE	RUEDA PRIMARIA
14	M203	DOUILLE ROUE PRIMAIRE	SPACER PRIMARY DRIVE	CASQUILLO RUEDA PRIMARIA
15	M205	CAGE A AIGUILLE 25X33X24	NEEDLE BEARING 25X33X24	JAULA AGUJAS 25X33X24
16	4259	RONDELLE 20.2 X 32 X 1	WASHER 20.2 X 32 X 1	ARANDELA 20.2 X 32 X 1
17	4099	ROUE TRANS PRIM. ASSEM. AVEC ROU.	PRIMARY DRIVE CLUTCH WITH BEARING	CTO RUEDA DE TRANS. PRIM. - RODAMI.
18	M359	PLATEAU METAL TP	STEEL DISK CLUTCH	DISCO ACERO EMBRAGUE
19	M358	SILENBLOC EMBRAYAGE	CLUTCH SILENBLOC	SILENBLOC EMBRAGUE
20	M270	RIVET 4 X 16	RIVET 4 X 10	REMACHE 4 X 10
21	M360	ROUE TRANS PRIMAIRE ASSEMBLE 2001	PRIMARY DRIVE CLUTCH 2001	CTO RUEDA DE TRANS. PRIMARIA 2001
22	M094	VIS EMB	SCREW CLUTCH SPRING	TORNILLOS MUELLE EMBRAGUE
24	4257	RONDELLE INA AS 35.3 X 56.7 X 1 UNI.	WASHER INA AS 35.3 X 56.7 X 1 UNI.	ARANDELA INA AS 35.3 X 56.7 X 1 UNI.
25	4258	ROULEMENT AIGUILLE AXIAL AXK 3552	CON ROD NEEDLE AXIAL AXK 3552	COJINETE AGUJAS AXIAL AXK 3552

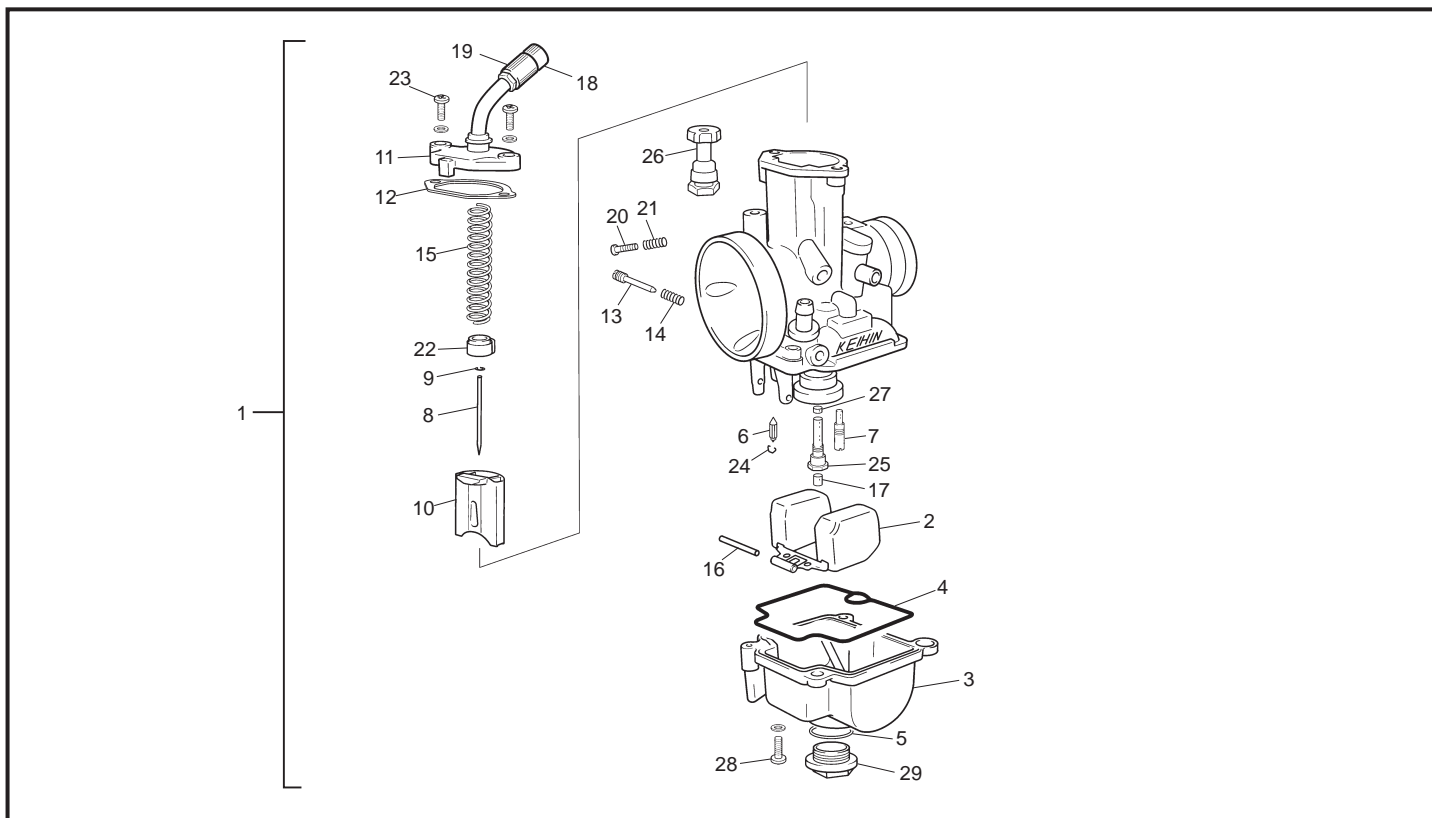
Cylindre / Cylinder / Cilindro



POS.	2.9	FRANÇAIS	ENGLISH	ESPAÑOL
1	3217	CYLINDRE 305 TR	CILYNDE 305 TR	CILINDRO 305 TR
2	4434	CULASSE 305 ROUGE CABESTANY	CYLINDER HEAD 305 RED CABESTANY	CULATA 305 ROJA CABESTANY
3	3218	PISTON CPL "A"	PISTON "A"	PISTON "A"
3	3339	PISTON CPL "B"	PISTON "B"	PISTON "B"
4	R218	CIRCLIP PISTON	PISTON CIRCLIP	SERCLIP PISTON
5	0547	VIS TH EP 6 X 30	SCREW TH EP 6 X 30	TORNILLO TH EP 6 X 30
6	3125	BOITE CLAPET 2.9	REEDS CASE 2.9	CAJA LAMINAS 2.9
7	3593	PIPE ADMISSION 2011 CARB 28	ADMISION PIPE 2011 CARB 28	TOBERA ADMISION 2011 CARB. 28
8	3025	JOINT EMBASE SIL. CYLIND. 0.5-2.9	CILYND GASKET SILICON 0.5-2.9	JUNTA CILIND SILICONA 0.5-2.9
9	M038	JOINT TORIQ. CULASSE 105X109X2 VIT.	CILYND HEAD O-RING 105X109X2 VITON	JUNTA TOR. CULATA 105X109X2 VITON
10	M039	JOINT TORIQ. CULASSE	CILYND HEAD O-RING	JUNTA TORICA CULATA
11	0200	AIGUILLES 4X9.8 NRB	NEEDL 4X9.8 NRB	AGUJA 4X9.8 NRB
12	3136	JOINT BOITE CLAPET TR 11	REEDS CASE GASKET TR 11	JUNTA CAJA LAMINAS TR 11
13	R022	CLAPET RECHANGE UNITEE	REED VALVE SET	LAMINAS RECAMBIO UNIT
14	3287	COLLIER MIKALOR 44	COLLARD MIKALOR 44	ABRAZADERA MIKALOR 44
15	3219	JEUX SEG. 305	SET RINGS 305	JUEGO AROS 305
16	M248	CAGE AIGUILLE PIST. 2.9	NEEDLE BEARING KBK 2.9	JAULA AGUJAS PIST. 2.9
17	M272	ECROU EMBASE X8 0692	COLLAR HEX NUT M8	TUERCA CON VALONA M8
18	R221	AXE PISTON 2.9	PISTON PIN 2.9	BULON PISTON 2.9
19	3269	VIS CHC 5 X 20 0084	SCREW CHC 5 X 20	TORNILLO 5 X 20 ALLEN
20	3189	JOINT EMBASE CYLIND. 2.9 WI 0.2mm	CILYNDER GASKET 2.9CC WI 0.2mm	JUNTA CILINDRO 2.9CC WI 0.2mm
21	3190	JOINT EMBASE CYLIND. 2.9 WI 0.3mm	CILYNDER GASKET 2.9CC WI 0.3mm	JUNTA CILINDRO 2.9CC WI 0.3mm
22	3191	JOINT EMBASE CYLIND. 2.9 WI 0.4mm	CILYNDER GASKET 2.9CC WI 0.4mm	JUNTA CILINDRO 2.9CC WI 0.4mm
23	2390	RONDELLE CUIVRE 6 X 12 X 1.5	WASHER COPPER 6 X 12 X 1.5	ARANDELA COBRE 6 X 12 X 1.5
25	C043	DURITE BOUCHON ESSENCE	PETROL TUBE	TUBO TAPON GASOLINA
26	2846	COLLIER DURITE ESSENCE	COLLARD PETROL PIPE	ABRAZADERA TUBO GASOLINA
27	3394	RAYON L MINI 35.5X3.5 COTE COUR.NOIR	SPOCKE L MINI 35.5X3.5 SIDE TRANS BL.	RADIO L MINI LADO CORONA NEGRO

Carburateur / Carburetor / Carburador KEIHIN


POS.	2.9	FRANÇAIS	ENGLISH	ESPAÑOL
1	1123	CARBURATEUR COMPLET 2T	CARBURETOR COMPLETE 2T	CARBURADOR COMPLETO 2T
2	1330	FLOTEUR DE CARBU. KEIHIN	CARBU. FLOTEUR KEIHIN	BOYA CARBU. KEIHIN
3	1331	CUVE CARBURATEUR KEIHIN	CARBURETOR CUVE KEIHIN	CUBA CARBURADOR KEIHIN
4	1333	VIS FIXATION CUVE KEIHIN	SCREW FIXATION CUVE KEIHIN	TORNILLO CUBA CARBU. KEIHIN
5	1334	JOINT TORIQUE CUVA	O-RING FLOAT	TÓRICA CUBETA
6	1335	POINTEAU CARBU. KEIHIN	POINTEAU CARBU. KEIHIN	VÁLVULA AGUJA KEIHIN
7	1327	GICLEUR RALENTI 42 KEIHIN	PILOT JET 42 KEIHIN	CHICLE RALENTÍ 42 KEIHIN
7	1336	GICLEUR RALENTI 45 KEIHIN	PILOT JET 45 KEIHIN	CHICLE RALENTÍ 45 KEIHIN
7	1337	GICLEUR RALENTI 52 KEIHIN	PILOT JET 52 KEIHIN	CHICLE RALENTÍ 52 KEIHIN
7	1338	GICLEUR RALENTI 55 KEIHIN	PILOT JET 55 KEIHIN	CHICLE RALENTÍ 55 KEIHIN
7	1339	GICLEUR RALENTI 48 KEIHIN	PILOT JET 48 KEIHIN	CHICLE RALENTÍ 48 KEIHIN
7	1403	GICLEUR RALENTI 50 KEIHIN	PILOT JET 50 KEIHIN	CHICLE RALENTÍ 50 KEIHIN
8	1340	AIGUILLE CARBU. KEIHIN JFH	AIGUILLE CARBU. JFH	AGUJA CARBU. JFH
8	1341	AIGUILLE CARBU. KEIHIN JJH	AIGUILLE CARBU. JJH	AGUJA CARBU. JJH
9	1342	CLIP AIGUILLE CARBU. KEIHIN	CLIP AIGUILLE CARBU. KEIHIN	CLIP AGUJA CARBU. KEIHIN
10	1326	BOISSEAU KEIHIN 3.5	CARBU. VALVE KEIHIN 3.5	CAMPANA KEIHIN 3.5
10	1343	BOISSEAU KEIHIN 4.0	CARBU. VALVE KEIHIN 4.0	CAMPANA KEIHIN 4.0
11	1344	COUVERCLE BOISSEAU KEIHIN	CARBU. COVER KEIHIN	TAPA CARBU. KEIHIN
12	1345	COUVERCLE BOISSEAU GASKET KEIHIN	JOINT COVER KEIHIN	JUNTA TAPA CARBU.KEIHIN
13	1346	VIS REGUL ESSENCE CARBU. KEIHIN	SCREW REGUL PETROL CARBU. KEIHIN	TORNILLO AIRE KEIHIN
14	1347	RESSORT VIS ESSENCE CARBU. KEIHIN	SPRING SCREW REGUL PETROL CARBU.	MEULLE TRONILLO AIRE KEIHIN
15	1348	RESSORT CARBU. KEIHIN	SPRING CARBU. KEIHIN	MUELLE CARBU. KEIHIN
16	1351	AXE BALANCIER FLOTEUR CARBU. KEIHIN	PIN BALANCIER FLOTEUR CARBU. KEIHIN	EJE BALANCIER FLOTADOR CARBU. KEIHIN
17	1248	GICLEUR PRINCIPAL 115 KEIHIN	MAIN JET 115 KEIHIN	CHICLE PRINCIPAL 115 KEIHIN
17	1347	GICLEUR PRINCIPAL 118 KEIHIN	MAIN JET 118 KEIHIN	CHICLE PRINCIPAL 118 KEIHIN
17	1352	GICLEUR PRINCIPAL 120 KEIHIN	MAIN JET 120 KEIHIN	CHICLE PRINCIPAL 120 KEIHIN
17	1353	GICLEUR PRINCIPAL 122 KEIHIN	MAIN JET 122 KEIHIN	CHICLE PRINCIPAL 122 KEIHIN
17	1402	GICLEUR PRINCIPAL 125 KEIHIN	MAIN JET 125 KEIHIN	CHICLE PRINCIPAL 125 KEIHIN
18	1354	ADAPTE CABLE KEIHIN	CABLE ADJUSTING BOLT KEIHIN	AJUSTE CABLE GAS KEIHIN
19	1355	ECROU ADAPTE CABLE KEIHIN	NUT CABLE ADJUSTING BOLT KEIHIN	TUERCA AJUSTE CABLE GAS KEIHIN
20	1356	VIS REGUL GAS CARBU. KEIHIN	KIT SCREW REGUL GAS KEIHIN	TORNILLO RELANTÍ KEIHIN
21	1357	RESSORT VIS REGUL GAS CARBU. KEIHIN	SPRING SCREW REGUL GAS KEIHIN	MUELLE TORNILLO RELANTÍ KEIHIN
22	1358	DOUILLE NYLON RESSORT GAZ	FOOTREST NYLON GAS	CASQUILLO NYLON MUELLE KEIHIN
23	1359	VIS FIXATION COUVERCLE BOISSEAU	SCREW COVER KEIHIN	TORNILLO FIJACIÓN TAPA CAMPANA

Carburateur / Carburetor / Carburador KEIHIN


POS.	2.9	FRANÇAIS	ENGLISH	ESPAÑOL
24	1349	CLIP VALVE KEIHIN	CLIP FLOAT VALVE KEIHIN	CLIP VÁLVULA KEIHIN
25	1360	PULVERISATEUR INFERIEUR	LOWER SPRAYER	PULVERIZADOR INFERIOR
26	1329	GROUPE STARTER KEIHIN	CHOKE SET REPLACEMENT KEIHIN	CTO. ESTÁRTER RECAMBIO KEIHIN
27	1361	NEEDLE JET HOLDER	NEEDLE JET HOLDER	NEEDLE JET HOLDER
28	1350	VIS FIXATION CUVE KEIHIN	SCREW FLOT KEIHIN	TORNILLO FIJACIÓN CUBA KEIHIN
29	1332	JOINT COVE CARBU. KEIHIN	FLOT CHAMBER GASKET	JUNTA CUBA CARBU. KEIHIN

SHERCO
Motorcycles



PLAY WITH GRAVITY

2012

SHERCO
www.sherco.com

MINERVA OIL