

**SCORPA**



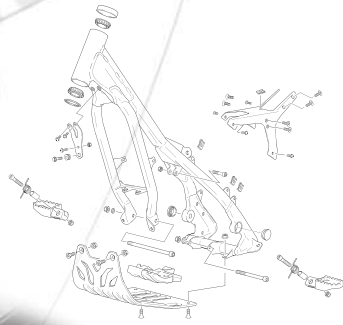
**SR 125 TRIAL 2T**  
**SR 280 2T**

MANUEL DE PIÈCES  
PARTS MANUAL  
MANUAL DE RECAMBIOS

**2013 TRIAL**

### CADRE / FRAME / CHASIS

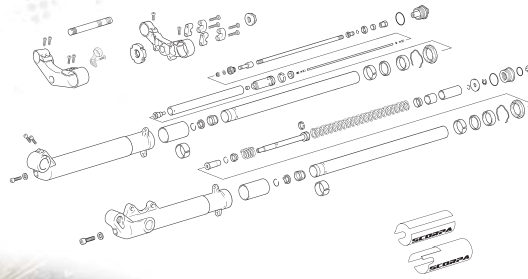
1



PAG. 4

### FOURCHE / FORK / HORQUILLA

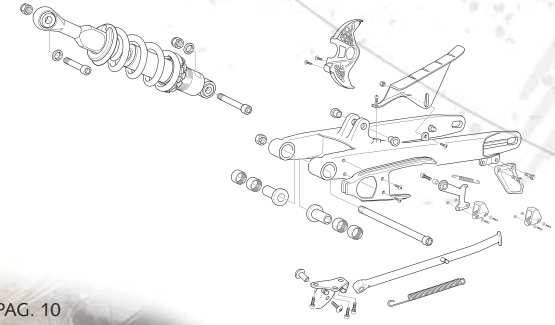
2



PAG. 6

### AMORTISSEUR - BRAS OSCILLANT / REAR SHOCK - SWINGARM / AMORTIGUADOR - BASCULANTE

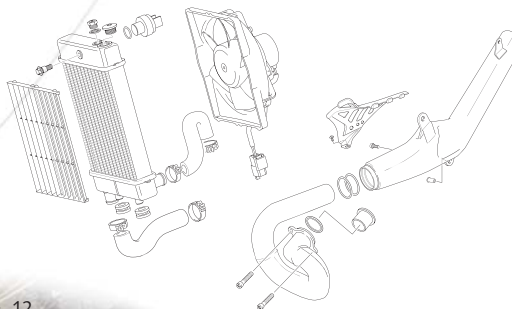
3



PAG. 10

### RADIATEUR / RADIATOR / RADIADOR

4



PAG. 12

### FAISCEAU ELECTRIQUE / ELECTRICAL SYSTEM / SISTEMA ELÉCTRICO

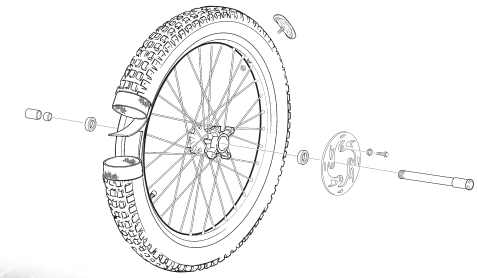
5



PAG. 14

### ROUE AVANT / FRONT WHEEL / RUEDA DELANTERA

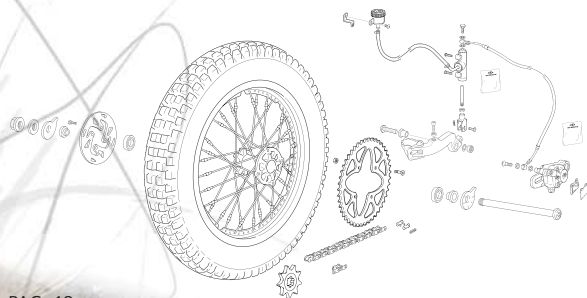
6



PAG. 16

### ROUE ARRIERE / REAR WHEEL / RUEDA TRASERA

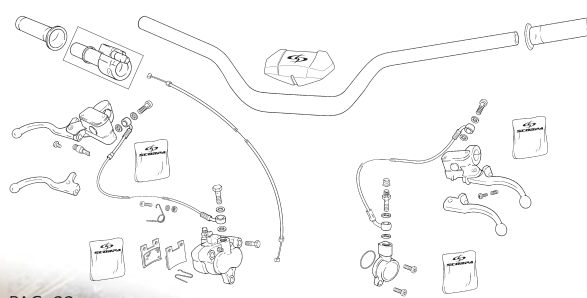
7



PAG. 18

### GUIDON / HANDLEBAR / MANILLAR

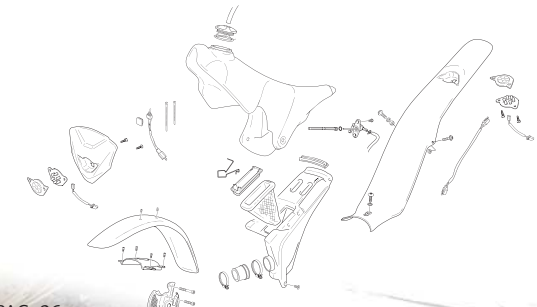
8



PAG. 22

### PLASTIQUES / PLASTICS / PLÁSTICOS

9



PAG. 26

### ADHESIFS / STIKERS / ADHESIVOS

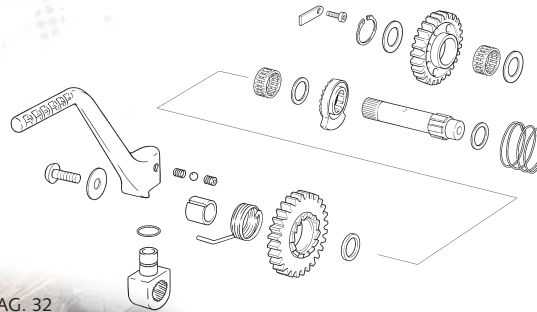
10



PAG. 30

### LANCEUR / KICKSTARTER ASSEMBLY / PEDAL ARRANQUE

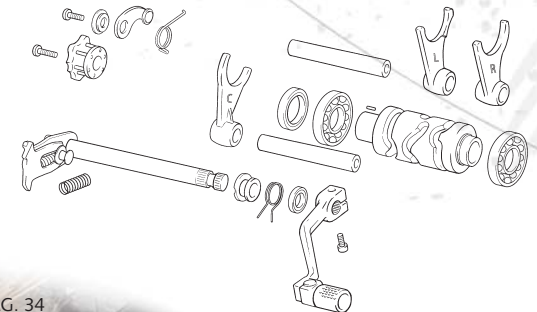
11



PAG. 32

### SELECTEUR / GEAR SELECTOR / SELECTOR CAMBIO

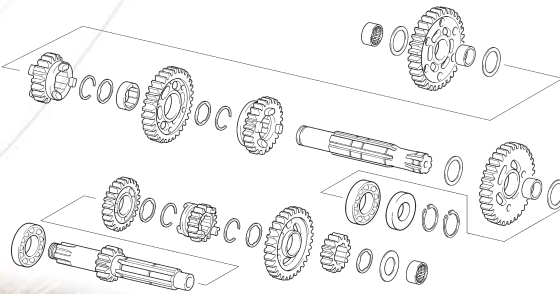
12



PAG. 34

### BOITE A VITESSES / GEARSET / CAMBIO

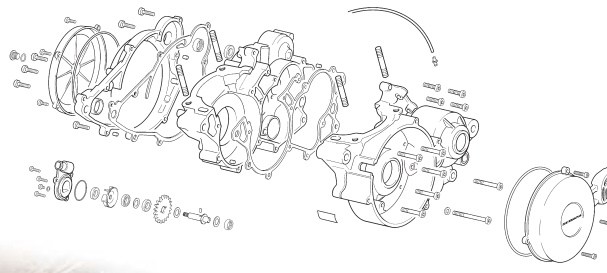
13



PAG. 36

### GROUPE CARTERS / CRANKCASE ASSEMBLY / GRUPO CARTERS

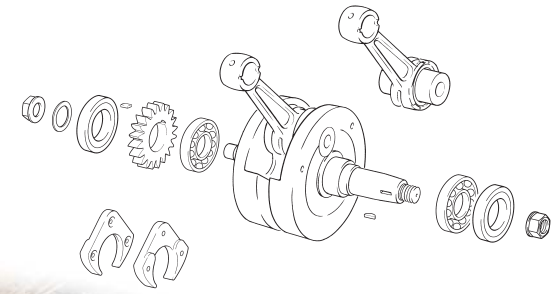
14



PAG. 38

### VILLEBREQIN ASSEMBLE / CRANKSHAFT ASSEMBLY / CIGÜENAL BIELA

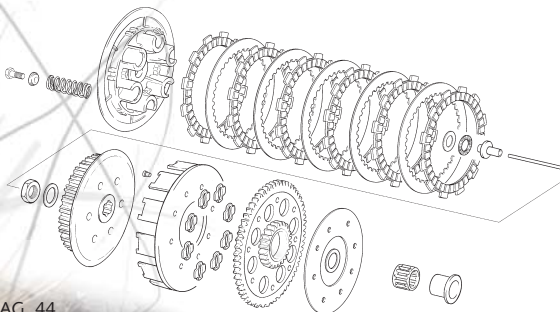
15



PAG. 42

### EMBRAYAGE / CLUTCH / EMBRAGUE

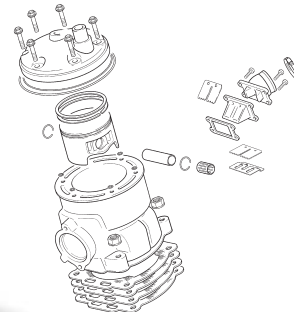
16



PAG. 44

### CYLINDRE / CYLINDER / CILINDRO

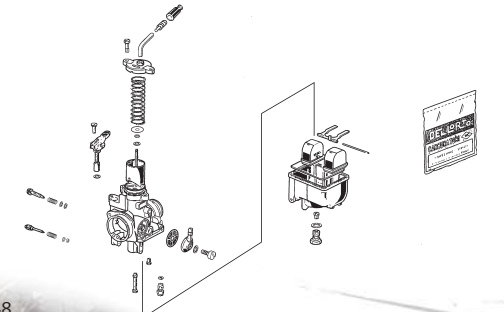
17



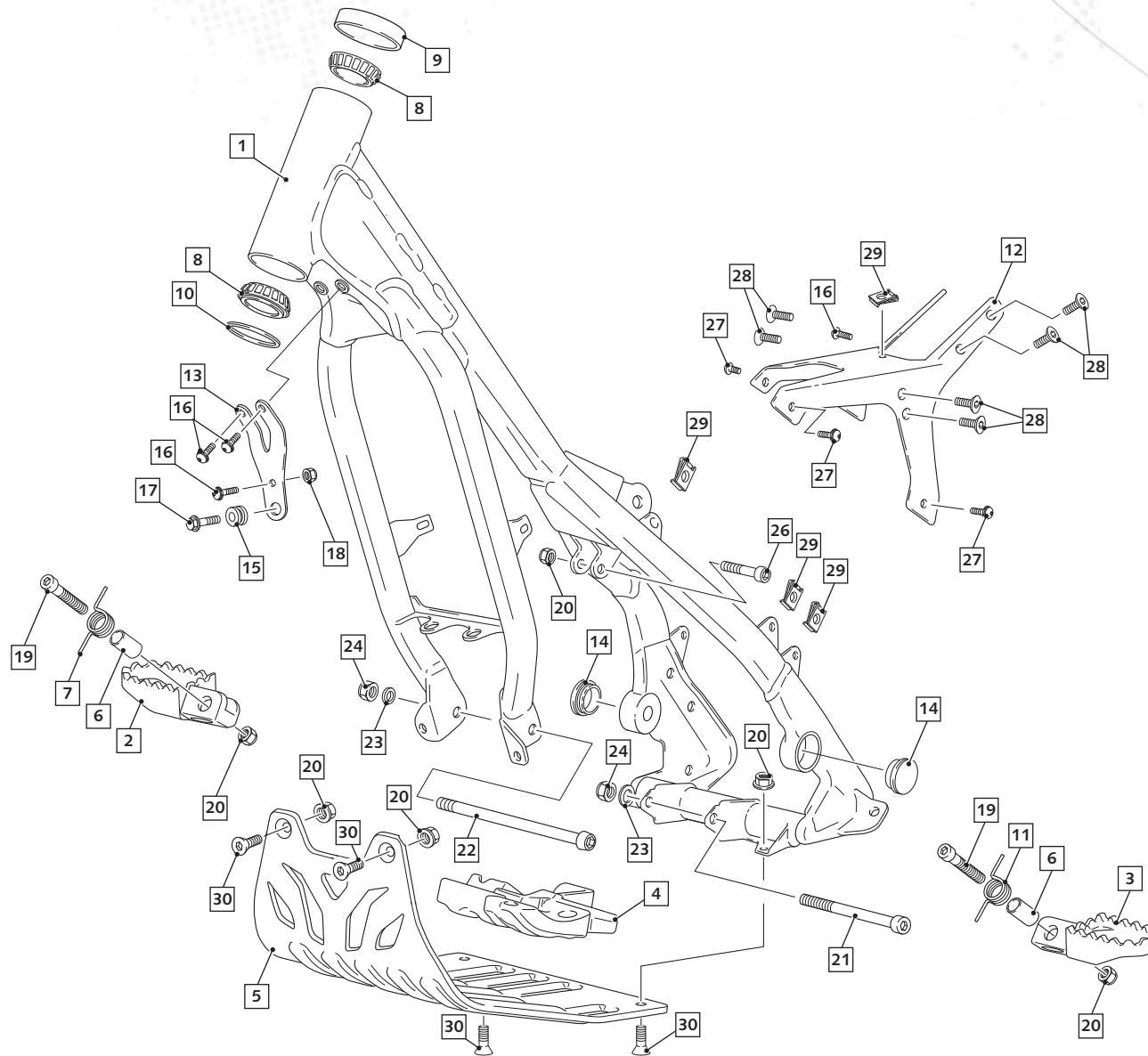
PAG. 46

### CARBURATEUR / CARBURETOR / CARBURADOR

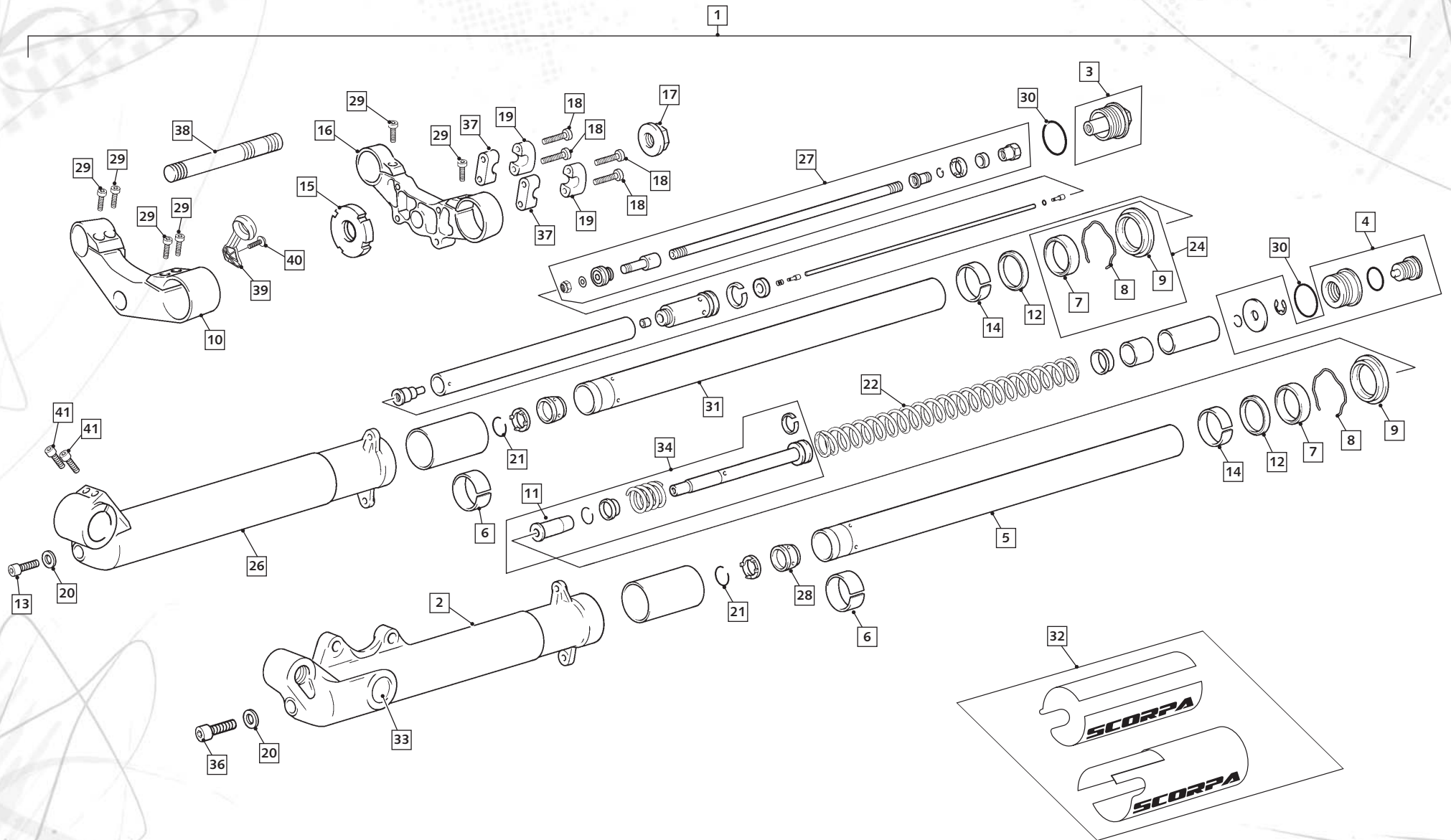
18



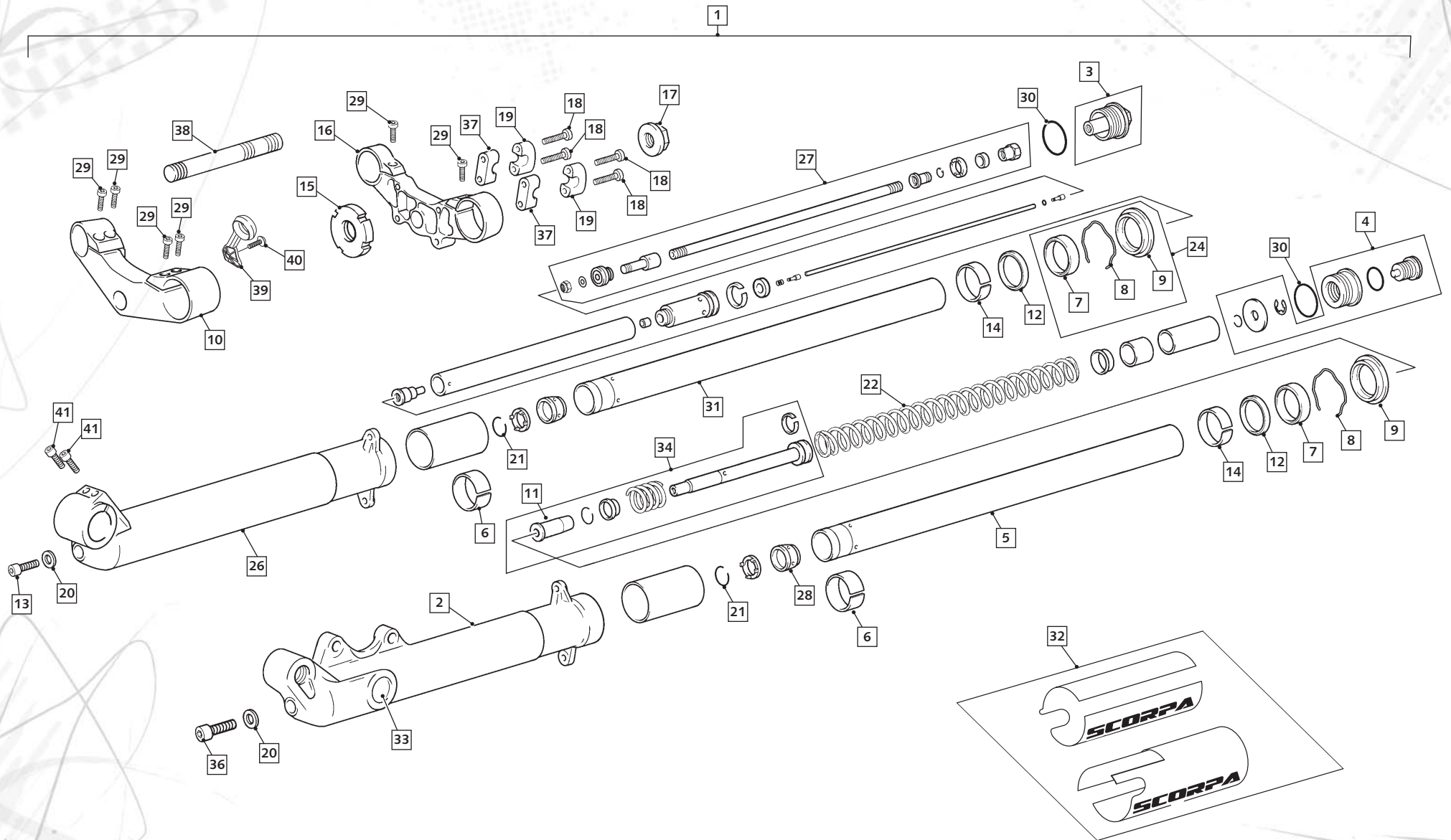
PAG. 48



POS.	1.2	2.8	FRANÇAIS	ENGLISH	ESPAÑOL
1	3992	3992	CADRE SR280 ORANGE	FRAME SR 280 ORANGE	CHASIS SR 280 NARANJA
2	2015	2015	REPOSE PIED DROITE 09 TR	RIGHT FOOTPEG 09 TR	ESTRIBERA DERECHA 09 TR
3	2016	2016	REPOSE PIED GAUCHE 09 TR	LEFT FOOTPEG 09 TR	ESTRIBERA IZQUIERDA 09 TR
4	2327	2327	CAOUTCHOUC MOTEUR 201 I	BASH PLATE RUBBER 201 I	CAUCHO PLACA MOTOR 201 I
5	2802	2802	SABOT MOTEUR SR280	ENGINE GUARD SR 280	PLACA MOTOR SR 280
6	2867	2867	ENTRETOISE REPOSE PIED LONG 201 I	SPACER FOOT PEG LONG 201 I	CASQUILLO ESTRIBERA LARGO 201 I
7	C008	C008	RESSORT REPOSE PIED DROITE	RIGHT FOOTPEG SPRING	MUELLE ESTRIBERA DERECHA
8	C009	C009	ROULEMENT COLONNE DIRECTION R32004	STEERING BEARING R32004	RODAMIENTO DIRECCIÓN R32004
9	C010	C010	BAGUE DE PROTECTION HAUTE PLASTIC	PLASTIC DUST COVER	GUARDA POLVO SUPERIOR PLÁSTICO
10	C011	C011	BAGUE DE PROTECTION BASSE	FORK ALUMINIUM WHASHER	ARANDELA GUARDA POLVO INF.
11	C012	C012	RESSORT DE REPOSE PIED GAUCHE	LEFT FOOT PEG SPRING	MUELLE ESTRIBERA IZQUIERDA
12	3993	3993	SUPPORT BOITIER FILTRE SR280 NOIR	AIR BOX HOLDER SR 280 BLACK	SOPORTE CAJA FILTRO SR280 NEGRA
13	2920	2920	PATE FIXATION SUP RADIATEUR SR 280	RADIATOR HOLDER SUP SR 280	SUPORTE RADIADOR SR 280
14	C165	C165	BOUCHON AXE BRAS OSCILLANT DIAM 35	COVER SWING ARM AXLE DIAM 35	TAPÓN EJE BASCULANTE DIAM 35
15	C118	C118	SILENT BLOC RADIATEUR	SILENT-BLOC RADIATOR	SILENT-BLOC RADIADOR
16	M345	M345	VIS BHC 6 X 12 CAROSSERIE	SCREW BHC 6 X 12 BODY	TORNILLO BHC 6 X 12 CAROSSERIA
17	1289	1289	VIS COUVERCLE SUPERIEUR 4T TRIAL 07	SCREW 07	TORNILLO TAPA SUPERIOR 4T TRIAL 07
18	M306	M306	ECROU NYLSTOP M6 0368.6	NUT NYLSTOP M6	TUERCA NYLSTOP M6
19	M264	M264	VIS CHC 8 X 45 0084	SCREW CHC 8 X 45	TORNILLO 8 X 45 ALLEN
20	M305	M305	ECROU NYLSTOP M8 0368.8	NUT NYLSTOP M8	TUERCA NYLSTOP M8
21	1323	1323	VIS CHC M10 X 85	SCREW CHC M10 X 85	TORNILLO CHC M10 X 85
22	C172	C172	AXE 10 X 20	PIN 10 X 120	EJE 10 X 120
23	M315	M315	RONDELLE X 10 I405 010	WASHER X 10	ARANDELA X 10 DIN 125 A
24	M304	M304	ECROU NYLSTOP M10 0368.10	NUT NYLSTOP M10	TUERCA NYLSTOP M10
26	M263	M263	VIS CHC 8 X 40 0084	SCREW CHC 8 X 40	TORNILLO 8 X 40 ALLEN
27	M268	M268	VIS BHC 6 X 16 CARROSSERIE	SCREW BHC 6 X 16 CARROSSERIE	TORNILLO 6 X 16 ESPECIAL CARROCIERÍA
28	3205	3205	VIS FHC 6X16	SCREW FHC 6X16	TORNILLO AVELLANADO M 6X16 DIN 7998
29	M308	M308	ECROU CLIP M6 0500500400	NUT CLIP M6	TUERCA CLIP M6
30	M301	M301	VIS FHC 8 X 20 1089	SCREW FHC 8 X 20	TORNILLO AVELLANADO M 8 X 20

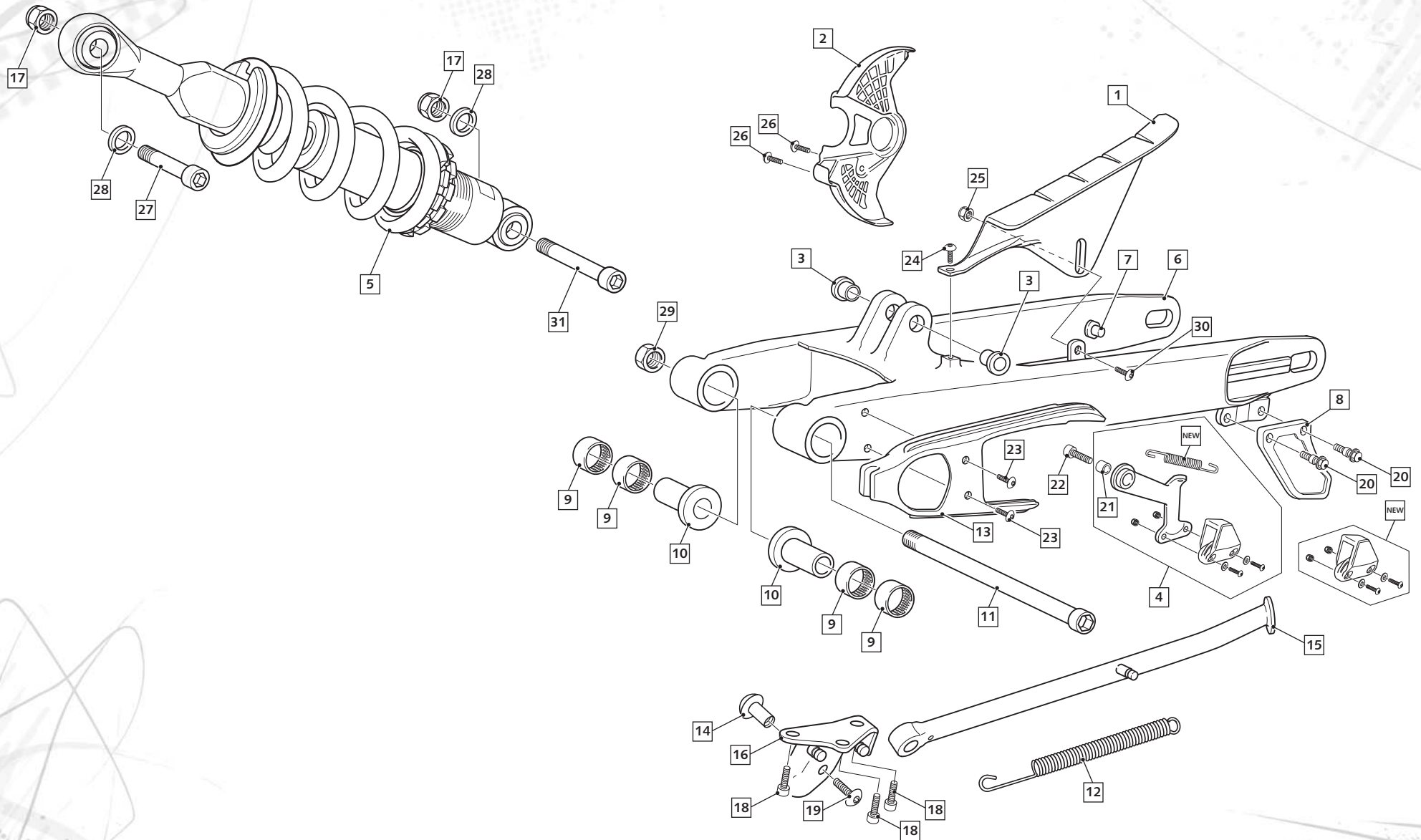


POS.	1.2	2.8	FRANÇAIS	ENGLISH	ESPAÑOL
<b>1</b>	2281	2281	GROUPE JAMBES MICRO CROME CPL TRIAL '10	GROUP SWEEP MICRO CROME CPL TRIAL '10	GRUPO BARRAS MIC. CROMO CPL TRIAL '10
<b>2</b>	3110	3110	JAMBE GAUCHE FOURCHE 2010	FORK LEFT LEG 2010	BOTELLA IZQUIERDA HORQUILLA 2010
<b>3</b>	3532	3532	BOUCHON FOURCHE DROITE TR 10	PLUG RIGHT FORK TR 10	TAPÓN DERECHO HORQUILLA TR 10
<b>4</b>	3533	3533	BOUCHON FOURCHE GAUCHE TR 10	LEFT FORK PLUG TR 10	TAPÓN HORQUILLA IZQ TR 10
<b>5</b>	3112	3112	TUBE FOURCHE GAUCHE 2010	LEFT FORK TUBE 2010	BARRA HORQUILLA IZQUIERDA 2010
<b>6</b>	R134	R134	ENTRETOISE DU	SPACER	CASQUILLO DU
<b>7</b>	R070	R070	JOINT SPIE DE FOURCHE	FORK OIL SEAL	RETÉN
<b>8</b>	R113	R113	CIRCLIP JOINT SPIE	CIRCLIP OIL SEAL	CIRCLIP RETÉN
<b>9</b>	R096	R096	PARE POUSSIERE FOURCHE	DUST SEAL	GUARDAPOLVO
<b>10</b>	1397	1397	GROUPE T DE FOURCHE INFERIEUR	BOTTOM PLATE BLACK	PLATINA INF. NEGRA
<b>11</b>	R223	R223	CONE	CONE	CONO
<b>12</b>	R131	R131	RONDELLE APUIE	WASHER FORK	ARANDELA APOYO
<b>13</b>	R224	R224	VIS CHC 10X30 FOURCHE	BOLT M10X30	TORNILLO M10X30 D.912
<b>14</b>	R133	R133	DU JAMBE 2000	SPACER	CASQUILLO DU BOTELLA
<b>15</b>	1170	1170	RONDELLE ECROU AXE DIRECTION	RING NUT	TUERCA DIRECCIÓN
<b>16</b>	1398	1398	FOURCHE SUPERIEUR NOIRE	UPPER PLATE BLACK	PLATINA SUPERIOR NEGRA
<b>17</b>	R108	R108	ECROU SUPERIEUR	NUT	TUERCA SUPERIOR
<b>18</b>	1237	1237	VIS CHC M8X35	BOLT M8X35	TORN. ALLEN M8X35 D.912
<b>19</b>	1395	1395	BRIDE GUIDON SUPERIEURE 07	TOP BAR U-CLAMP 07 BLACK	BRIDA SUPERIOR MANILLAR 07 NEGRA
<b>20</b>	R226	R226	RONDELLE 10X17X1,5 FOURCHE 2001	WASHER 10X17X1,5	ARANDELA 10X17X1,5
<b>21</b>	R227	R227	ANEAU ELASTIQUE	NUT	ANILLO ELÁSTICO
<b>22</b>	1063	1063	RESSORT FOURCHE	SPRING	MUELLE
<b>23</b>	R111	R111	ENTRETOISE RESSORT FOURCHE	TOP BUSHING	TOPE MUELLE
<b>24</b>	R071	R071	GROUPE GARNITURE FOURCHE COMP	FORK BUSHING AND SEAL KIT	KIT REPARACIÓN RETÉN
<b>25</b>	R132	R132	ENTRETOISE DU	SPACER	SEPARADOR DU
<b>26</b>	3111	3111	JAMBE DROITE FOURCHE 2010	FORK RIGHT LEG 2010	BOTELLA DERECHA HORQUILLA 2010
<b>27</b>	R228	R228	VALVE DE COMPRESSION	PLASTIC COMPRESSION VALVE	VÁLVULA DE COMPR.
<b>28</b>	R135	R135	RONDELLE APPUI RESSORT 2000	SPRING COLLAR	APOYO MUELLE
<b>29</b>	M261	M261	VIS CHC 8X20	SCREW CHC 8X20	TORNILLO 8X20 ALLEN
<b>30</b>	R230	R230	TORIQUE FOURCHE	ORING	TÓRICA CIERRE
<b>31</b>	3113	3113	TUBE FOURCHE DROITE 2010	RIGHT FORK TUBE 2010	BARRA HORQUILLA DERECHA 2010
<b>32</b>	3883	3883	ADHESIF PROTEC FOURCHE SR280 (PAIRE) 2012	FORK STICKER PAIR SR 280 2012	ADHESIVO CTO HORQUILLA SR 280 2012

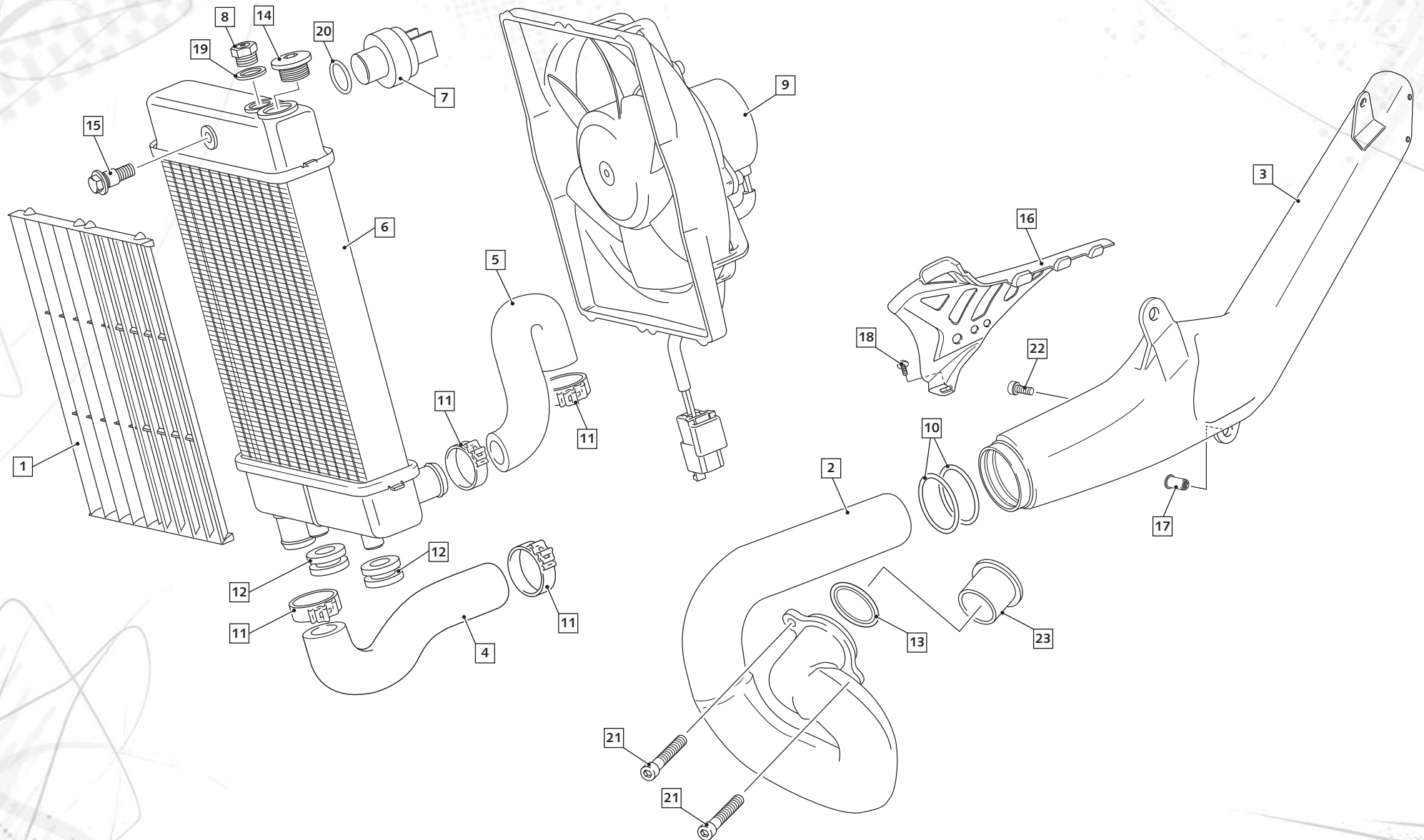




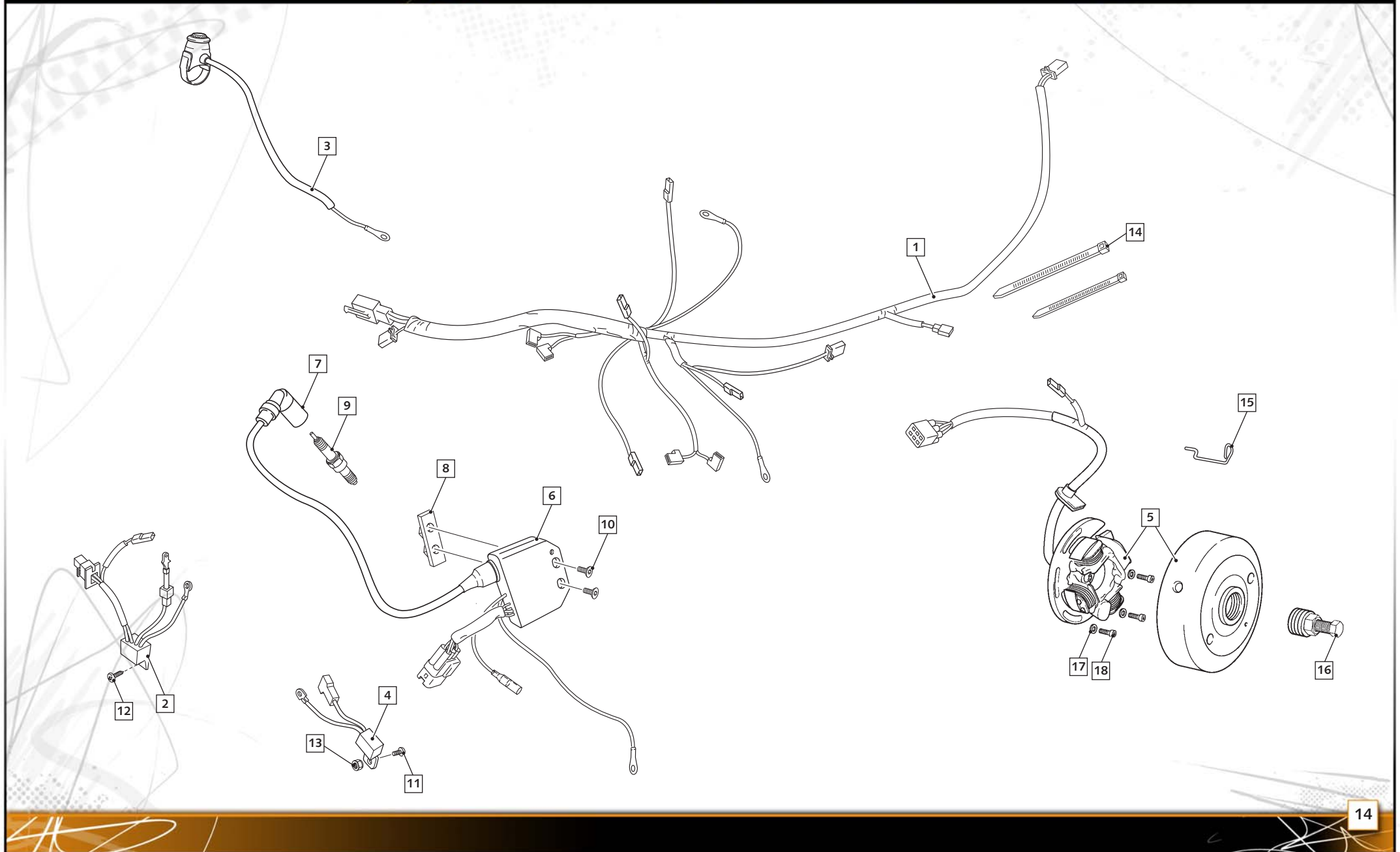
POS.	1.2	2.8	FRANÇAIS	ENGLISH	ESPAÑOL
<b>33</b>	1589	1589	ADHESIF LOGO CERIANI	CERIANI LOGO STICKER	ADHESIVO LOGO CERIANI
<b>34</b>	1055	1055	GRUOPE POMPE	GROUP POMP	GRUPO BOMBA
<b>35</b>	1059	1059	GROUPE CARTOUCHE	PLUNGER ASSEMBLY	CONJ. BOMBEO
<b>36</b>	C453	C453	VIS CHC 10X30 PARE DISC PAIOLI	SCREW CHC 10X30 WITH HOLE	TORNILLO 10X30 ROSCA INTERIOR
<b>37</b>	1396	1396	BRIDE INFERIEUR TRIAL 07 NOIRE	U-CLAMP INF. HANDE BAR TRIAL 07	BRIDA INFE. TRIAL 07 NEGRA
<b>38</b>	1166	1166	AXE ALUMINIUM	ANS ALUMINIUM	EJE ALUMINIO
<b>39</b>	2359	2359	GUIDE DURITE FREIN AV 2010	GUIDE FRONT BRAKE HOSE 2010	GUIA LATIGUILLO FRENO DEL 2010
<b>40</b>	M258	M258	VIS BHC 5 X 16 1093	SCREW BHC 5 X 16	TORNILLO 5 X 16 ULS
<b>41</b>	0547	0547	VIS TH EP 6 X 30	SCREW TH EP 6 X 30	TORNILLO TH EP 6 X 30



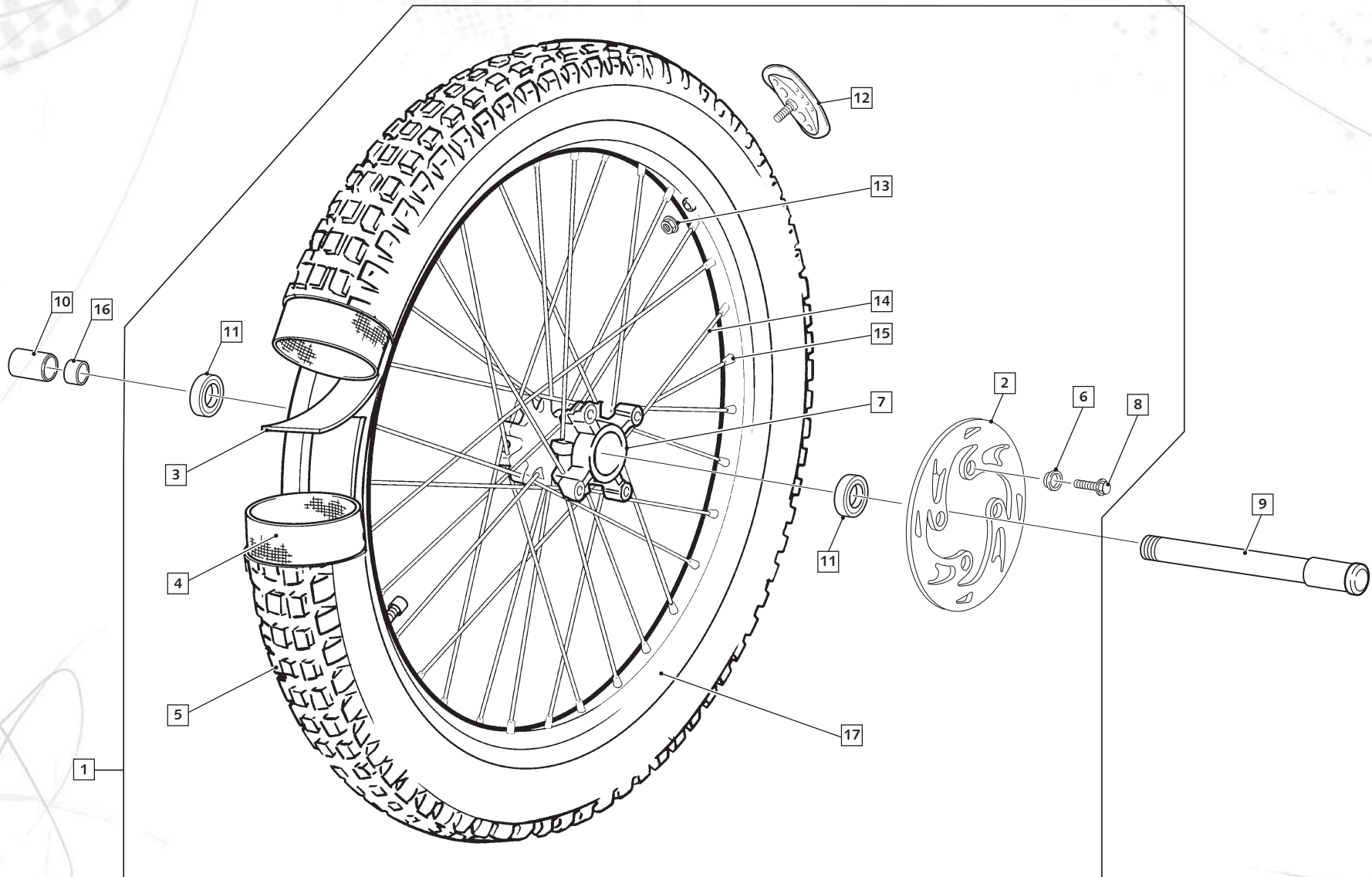
POS.	1.2	2.8	FRANÇAIS	ENGLISH	ESPAÑOL
1	1208	1208	CARTER DE CHAINE 07	CHAIN PROTECTOR 07	CUBRE CADENAS 07
2	1209	1209	PROTECTEUR DISC ARIERE 07	PROTECTOR BRAKE DISC BACK 07	PROTECTOR DISCO TRASERO 07
3	2624	2624	ENTRETOISE BRAS/ AMORTISSEUR TYI 25	SPACER SWING ARM/REAR SHOCK SR 280	CASQUILLO BASCULANTE /AMORTIGADOR SR 280
4	2672	2672	TENDEUR CHAINE CPL PATIN/RESSORT/ENTRET. SR280	ASSEMBLE CHAIN TENSEUR SR 280	TENSOR CADENA COMPLETO SR 280
5	2767	2767	AMORTISSEUR SY250F/SR280	REAR SHOCK ABSORBER SR 280	AMORTIGUADOR TRAS. SR 280
6	2775	2775	BRAS OSCILLANT SR280	SWIM ARM SR280	BASCULANTE SR280
7	2871	2871	BUTEE PINCE DE FREIN SR 280	BUTEE PINCE DE FREIN SR280	BUTEE PINCE DE FREIN SR280
8	2883	2883	PROTEGE COURONNE SR 280	SPROCKET PROTECTOR SR 280	PROTECTOR CORONA SR 280
9	C151	C151	DOUILLE AIGUILLE BRAS HK 20X20X2 RS	BEARING HK 20X20X2RS	CASQUILLO AGUJAS BASCULANTE HK20X20X2RS
10	C153	C153	ENTRETOISE ARTICULATION BRAS	SPACER SWING ARM	CASQUILLO EJE BASCULANTE
11	C154	C154	AXE BRAS OSCILLANT	ALUMINIUM SWINGARM AXLE	EJE BASCULANTE ALUMINIO
12	C161	C161	RESSORT DE BEQUILLE	SIDE STAND SPRING	MUELLE CABALLETE
13	C162	C162	PATIN DE CHAINE	CHAIN GUIDE PLATE	PATÍN CADENA
14	C166	C166	VIS SPECIALE BEQUILLE	SIDE STAND SPECIAL BOLT	TORNILLO ESPECIAL CABALLETE
15	S131	S131	BEQUILLE SEULE	LATERAL STAND	CABALLETE
16	S132	S132	SUPPORT DE BEQUILLE AVEC BUTEE	STAND HOLDER WITH RETAIN	SUORTE CABALLETE CON TOPE
17	M304	M304	ECROU NYLSTOP M10 0368.10	NUT NYLSTOP M10	TUERCA NYLSTOP M10
18	M252	M252	VIS CHC 6 X 20 0084	SCREW CHC 6 X 20	TORNILLO 6 X 20 DIN 912
19	M281	M281	VIS BHC 8 X 12 1093	SCREW BHC 8 X 12	TORNILLO 8 X 12 ULS
20	1289	1289	VIS COUVERCLE SUPERIEUR 4T TRIAL 07	SCREW 07	TORNILLO TAPA SUPERIOR 4T TRIAL 07
21	C755	C755	ENTRETOISE REPOSE PIED CURT	SPACER FOOT PEG SHORT	CASQUILLO ESTRIBERA CORTO
22	M262	M262	VIS CHC 8 X 30 0084	SCREW CHC 8 X 30	TORNILLO 8 X 30 ALLEN
23	M278	M278	VIS BHC 5 X 10 1093	SCREW BHC 5X10	TORNILLO 5 X 10 ULS
24	M258	M258	VIS BHC 5 X 16 1093	SCREW BHC 5 X 16	TORNILLO 5 X 16 ULS
25	M306	M306	ECROU NYLSTOP M6 0368.6	NUT NYLSTOP M6	TUERCA NYLSTOP M6
26	M282	M282	VIS BHC 6 X 10 1093	SCREW BHC 6 X 10	TORNILLO 6 X 10 BHC
27	M259	M259	VIS CHC 10 X 50 0084	SCREW CHC 10 X 50	TORNILLO 10 X 50 ALLEN
28	M315	M315	RONDELLE X 10 1405 010	WASHER X 10	ARANDELA X 10 DIN 125 A
29	M310	M310	ECROU PLAT M14 X 150 0319	NUT PLAT M14 X 150	TUERCA REBAJADA M14 X 150
30	M283	M283	VIS BHC 6 X 16 1093	SCREW BHC 6 X 16	TORNILLO 6 X 16 ULS
31	3204	3204	VIS CHC M10X65	SCREW CHC M10X65	TORNILLO CHC M10X65



POS.	1.2	2.8	FRANÇAIS	ENGLISH	ESPAÑOL
<b>1</b>	C713	C713	GRILLE RADIATEUR 06	RADIATOR PROTECTOR 06	REJILLA RADIADOR 06
<b>2</b>	2779	2779	TUBE ECHAPPEMENT SR280	FRONT PIPE EXHAUS SR 280	CURVA DE ESCAPE SR280
<b>3</b>	2886	2886	POT CENTRAL/SILENCIEUX SR280	EXHAUSS / SILENCER SR 280	ESCAPE CENTRAL/SILENCIADOR SR 280
<b>4</b>	3121	3121	DURITE POMPE A EAU RADIATEUR SR 280	RUBBER TUBE WATERPUMP SR 280	MANGUITO BOMBA/RADIADOR SR 280
<b>5</b>	2897	2897	DURITE SUP CULASSE-RADIATEUR SR280	HORSE CILENDER HEAD/RADIATOR SR 280	TUBO CULATA/RADIADOR SR 280
<b>6</b>	2260	2260	RADIATEUR 2T 201 I	RADIATOR 2S 201 I	RADIADOR 2T 201 I
<b>7</b>	2256	2256	THERMOCONTACT 2T 201 I 75-68	THERMOSTAT 2T 201 I 75-68	TERMOCONTACTO 2T 201 I 75-68
<b>8</b>	2269	2269	VALVE PRESSION RADIATEUR	PRESSION VALVE RADIATOR	VALVULA PRESSION RADIADOR
<b>9</b>	1523	1523	VENTILATEUR COMEX 120	FAN DIAM COMEX 120	VENTILADOR COMEX 120
<b>10</b>	C104	C104	JOINT TORIQUE POT CENTRAL 44 X 51 X 3,50	O-RING MIDDLE SILENCER 44 X 51 X 3,50	TÓRICA SILENCIADOR CENTRAL 44 X 51 X 3,50
<b>11</b>	C114	C114	COLLIER DURITE NORMA VERT 21	COLLARD NORMA GREEN 21	ABARAZADERA MANGUITOS VERDE 21
<b>12</b>	C118	C118	SILENT BLOC RADIATEUR	SILENT-BLOC RADIATOR	SILENT-BLOC RADIADOR
<b>13</b>	C122	C122	JOINT CUIVRE 38X44X2.5 0462	GASKET RING 38X44X2.5	JUNTA COBRE 38X44X2.5
<b>14</b>	2906	2906	BOUCHON RADIATEUR TRIAL 201 I	RADIATOR TAP TRIAL 201 I	TAPÓN RADIADOR TRIAL 201 I
<b>15</b>	1289	1289	VIS COUVERCLE SUPERIEUR 4T TRIAL 07	SCREW 07	TORNILLO TAPA SUPERIOR 4T TRIAL 07
<b>16</b>	3200	3200	PROTEC.TUBE ECHAP SCORPA	PROTECTION EXHAUST PIPE SCORPA	PROTECTOR TUBO ESCAPE SCORPA
<b>17</b>	3201	3201	RIVET FILETEE M5X13 TF	RIVET TWIST M5X13	REMACHE ROSCADO M5X13 AV
<b>18</b>	M258	M258	VIS BHC 5 X 16 1093	SCREW BHC 5 X 16	TORNILLO 5 X 16 ULS
<b>19</b>	2860	2860	RONDELLE ALU 8X12X1	WASHER ALU 8X12X1	ARENDELA ALU 8X12X1
<b>20</b>	M168	M168	TORIQUE 14 X18X2	O RING 14X18X2	TORICA 14X18X2
<b>21</b>	M252	M252	VIS CHC 6 X 20 0084	SCREW CHC 6 X 20	TORNILLO 6 X 20 DIN 912
<b>22</b>	M268	M268	VIS BHC 6 X 16 CARROSSERIE	SCREW BHC 6 X 16 CARROSSERIE	TORNILLO 6 X 16 ESPECIAL CARROCEÍA
<b>23</b>	2834	-----	REDUCTEUR ECHAPPEMENT 125CC 2010	REDUCTION EXHAUST 125CC 2010	REDUCTOR ESCAPE 125CC 2010



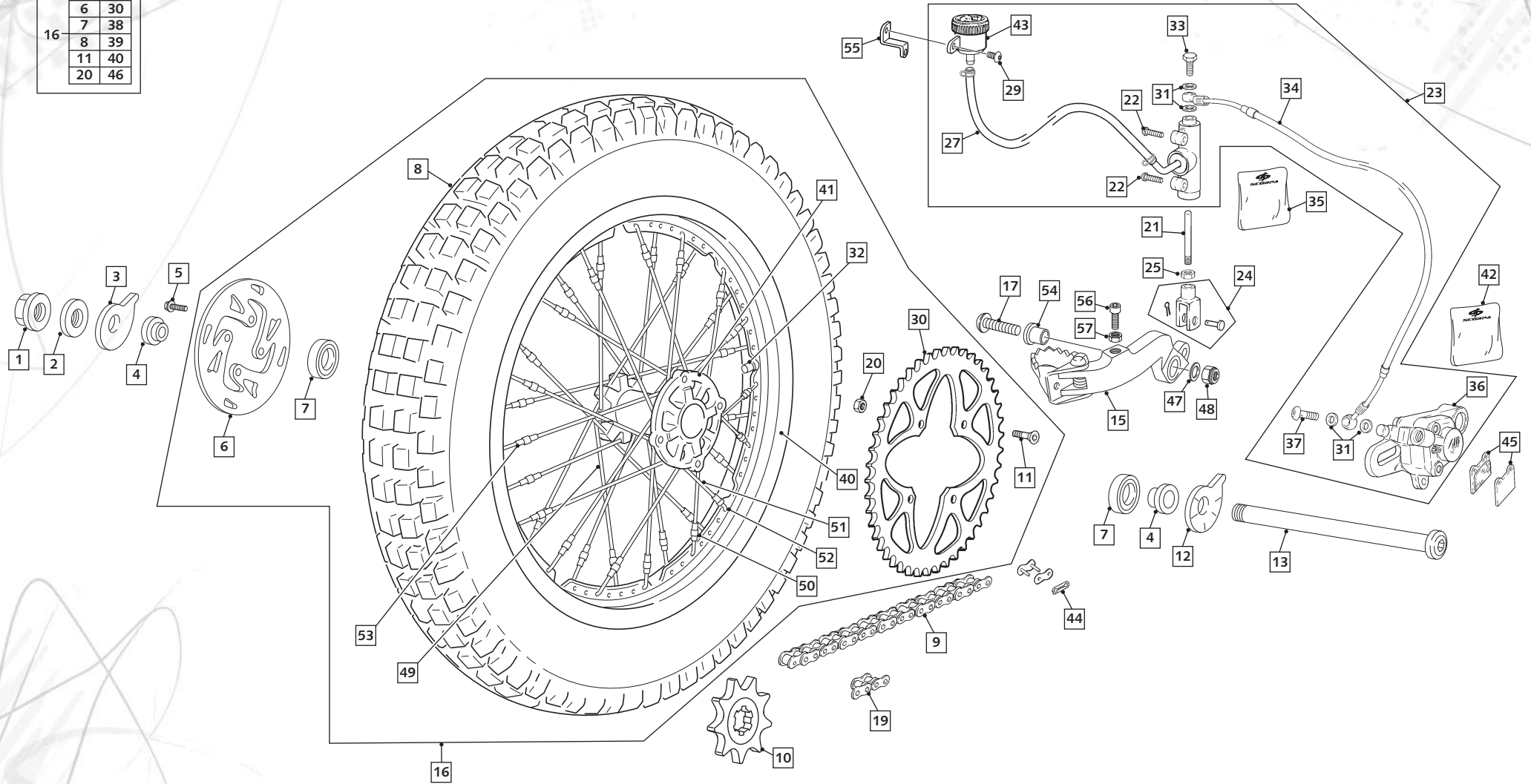
POS.	1.2	2.8	FRANÇAIS	ENGLISH	ESPAÑOL
<b>1</b>	2879	2879	FAISCEAU ARRIERE SR280	FAISCEAU ARRIERE SR280	INSTALACIÓN ELÉCTRICA TRASERA SR 280
<b>2</b>	2825	2825	DIODE REDRESSEUSE VENTILATEUR COMEX 201 I	DIODE COMEX 201 I	RECTIFICADOR VENTILADOR COMEX 201 I
<b>3</b>	2972	2972	BOUTON STOP MOTEUR TRIAL D28 L 70,5	STOP ENGINE TRIAL D28 L 70,5	STOP MOTOR TRIAL D28 L 70,5
<b>4</b>	M182	M182	REGULATEUR LEONELLI	REGULATOR	REGULADOR
<b>5</b>	M397	M397	ALUMAGE CPL LEONELLI	IGNITION CPL LEONELLI	ENCENDIDO LEONELLI CPL
<b>6</b>	M398	M398	BOBINE LEONELLI TRIAL LONG CÂBLE.	ELECTRONIC BOX LEONELLI TRIAL CABLE LARGO	BOBINA LEONELLI TRIAL LONG CABLE
<b>7</b>	3206	3206	ANTIPARASITE SILICONE	SPARK PLUG CAP SILICONE	PIPA BUJIA SILICONA
<b>8</b>	3207	3207	FIXATION BOBINE SCORPA	FIXATION BOBINE SCORPA	FIJACIÓN BOBINA SCORPA
<b>9</b>	C396	C396	BOUGIE ANTIPARASITE HOMOL	SPARK PLUG ANTIPARASITE HOMOL	BUJÍA ANTIPARASITARIA HOMOL
<b>10</b>	3205	3205	VIS FHC 6X16	SCREW FHC 6X16	TORNILLO AVELLANADO M 6X16 DIN 7998
<b>11</b>	M345	M345	VIS BHC 6 X 12 CAROSSERIE	SCREW BHC 6 X 12 BODY	TORNILLO BHC 6 X 12 CAROSSERÍA
<b>12</b>	1274	1274	VIS TOLE 4.2 X 16	SCREW 4.2 X 16	TORNILLO 4.2 X 16
<b>13</b>	M306	M306	ECROU NYLSTOP M6 0368.6	NUT NYLSTOP M6	TUERCA NYLSTOP M6
<b>14</b>	M331	M331	COLLIER RISLANI 00 X 2.5	COLLIER 100 X 2.5	ABRAZADERA 100X 2.5
<b>15</b>	2862	2862	GUIDE FIL ALUMAGE TRIAL 201 I	GUIDE IGNITION CABLE TRIAL 201 I	GUÍA CABLE ENCENDIDO TRIAL 201 I
<b>16</b>	R075	R075	OUTIL EXTRACTEUR ROTOR ALLUMAGE	PULLER FOR FLYWEEL	EXTRACTOR ENCENDIDO
<b>17</b>	M275	M275	RONDELLE X5 0407 5	WASHER X5	ARANDELA 5 DIN 125 A
<b>18</b>	M250	M250	VIS CHC 5 X 16 0084	SCREW CHC 5 X 16	TORNILLO 5 X 16 ALLEN





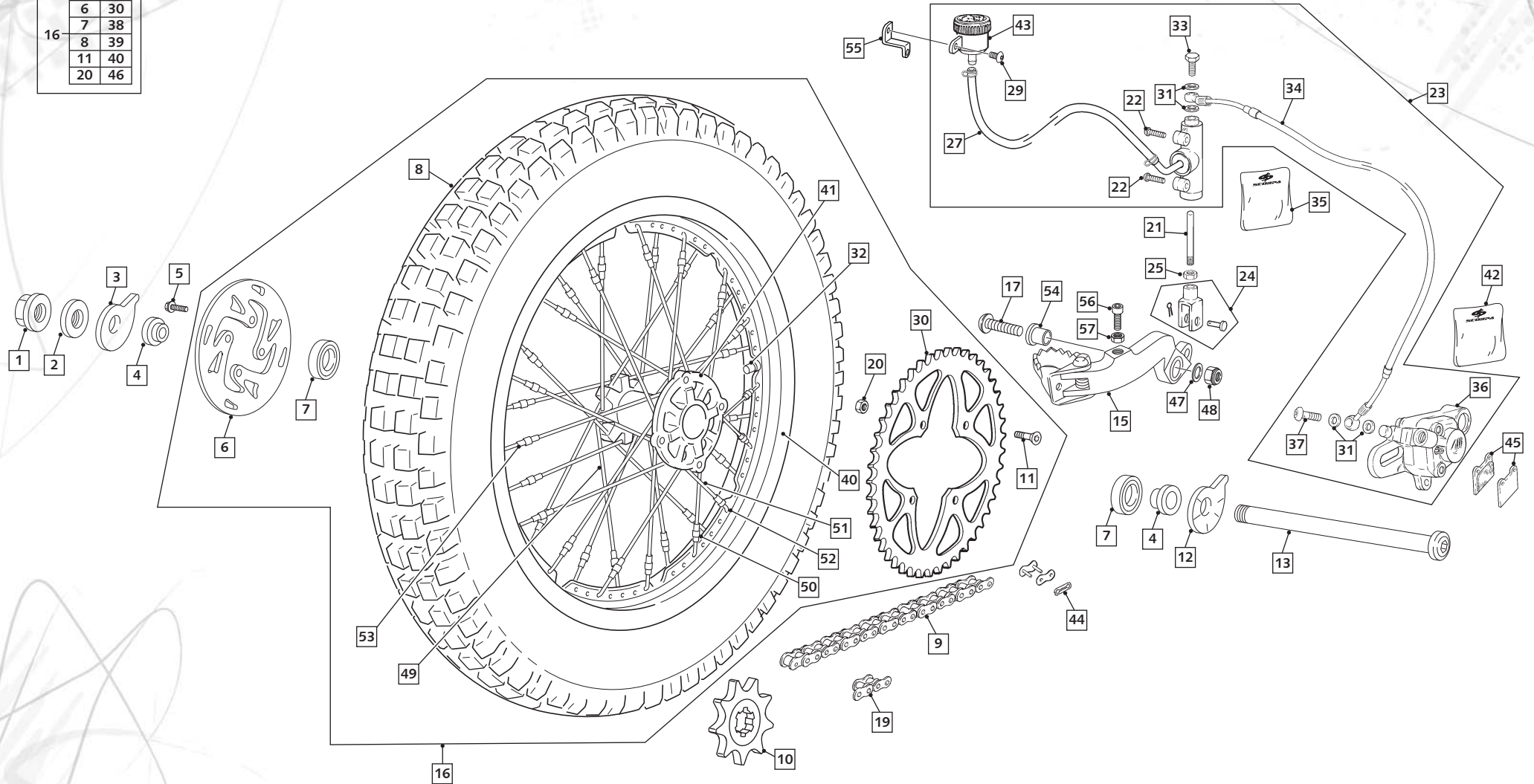
<b>POS.</b>	<b>1.2</b>	<b>2.8</b>	<b>FRANÇAIS</b>	<b>ENGLISH</b>	<b>ESPAÑOL</b>
<b>1</b>	2785	2785	ROUE AV COMPLETE SR280	FRONT WHEEL SR 280	RUEDA DELANTERA COMPLETA SR 280
<b>2</b>	2001	2001	DISQUE FREIN AVANT 2009 TR	FRONT DISC 2009 TR	DISCO DELANTERO 2009 TR
<b>3</b>	C201	C201	RUBAN FOND DE JANTE RI 4025	RIM RUBBER PROTECTION	GOMA PROTECCIÓN LLANTA
<b>4</b>	C202	C202	CHAMBRE A AIR 21AB	21 TUBE	CAMARA 21
<b>5</b>	C204	C204	PNEU AVANT 275X21	FRONT TIRE 2.75 X 21	NEUMÁTICO DELANTERO 2.75 X 21
<b>6</b>	C209	C209	ENTRETOISE DISQUE AVANT	SPACER DISC	CASQUILLO FLOTANTE DISCO
<b>7</b>	C320	C320	MOYEU AVANT 2002	FRONT HUB 2002	BUJE DELANTERO 2002
<b>8</b>	C452	C452	VIS HEXAGONAL EPAULE M6 X 18	SCREW EXAGONAL M6 X 18	TORNILLO EXAGONAL M6 X 18
<b>9</b>	2770	2770	AXE ROUE AV 20MM SR280	FRONT WHEEL AXE 20MM SR 280	EJE RUEDA DEL SR 280
<b>10</b>	2809	2809	ECROU AXE ROUE AVANT RACING MARZOCCH	NUT FRONT WEEL AXE MARZZOCHI SR 280	TUERCA EJE RUEDE DEL MARZZOCHI SR 280
<b>11</b>	R049	R049	ROULEMENT DE MOYEU 6004 2RS	BEARING HUB 6004 2RS	RODAMIENTO BUJE 6004 2RS
<b>12</b>	C203	C203	GRISTER	TYRE STAY	AGARRACUBIERTAS
<b>13</b>	M305	M305	ECROU NYLSTOP M8 0368.8	NUT NYLSTOP M8	TUERCA NYLSTOP M8
<b>14</b>	2941	2941	RAYON 257 X 3 NOIR TRIAL	SPOCKE 172 X 4 BLACK TRIAL	RADIO 257 X 3 NEGRO TRIAL
<b>15</b>	3398	3398	ECROU DE RAYON AVANT M3.5X0.60	FRONT NEEPLE SPOCKE M3.5X0.60	TUERCA RADIO DELANTERO M3.5X0.60
<b>16</b>	2885	2885	ENTRETOISE AXE ROUE AVANT SR 280	FRONT SPACER WHEEL AXE SR 280	CASQUILLO EJE RUEDA DELANTERA SR 280
<b>17</b>	NEW	NEW	JANTE AVANT NOIR SR 280	BLACK FRONT RIM SR 280	LLANTA DELANTERA NEGRA SR 280

5	28
6	30
7	38
8	39
11	40
20	46

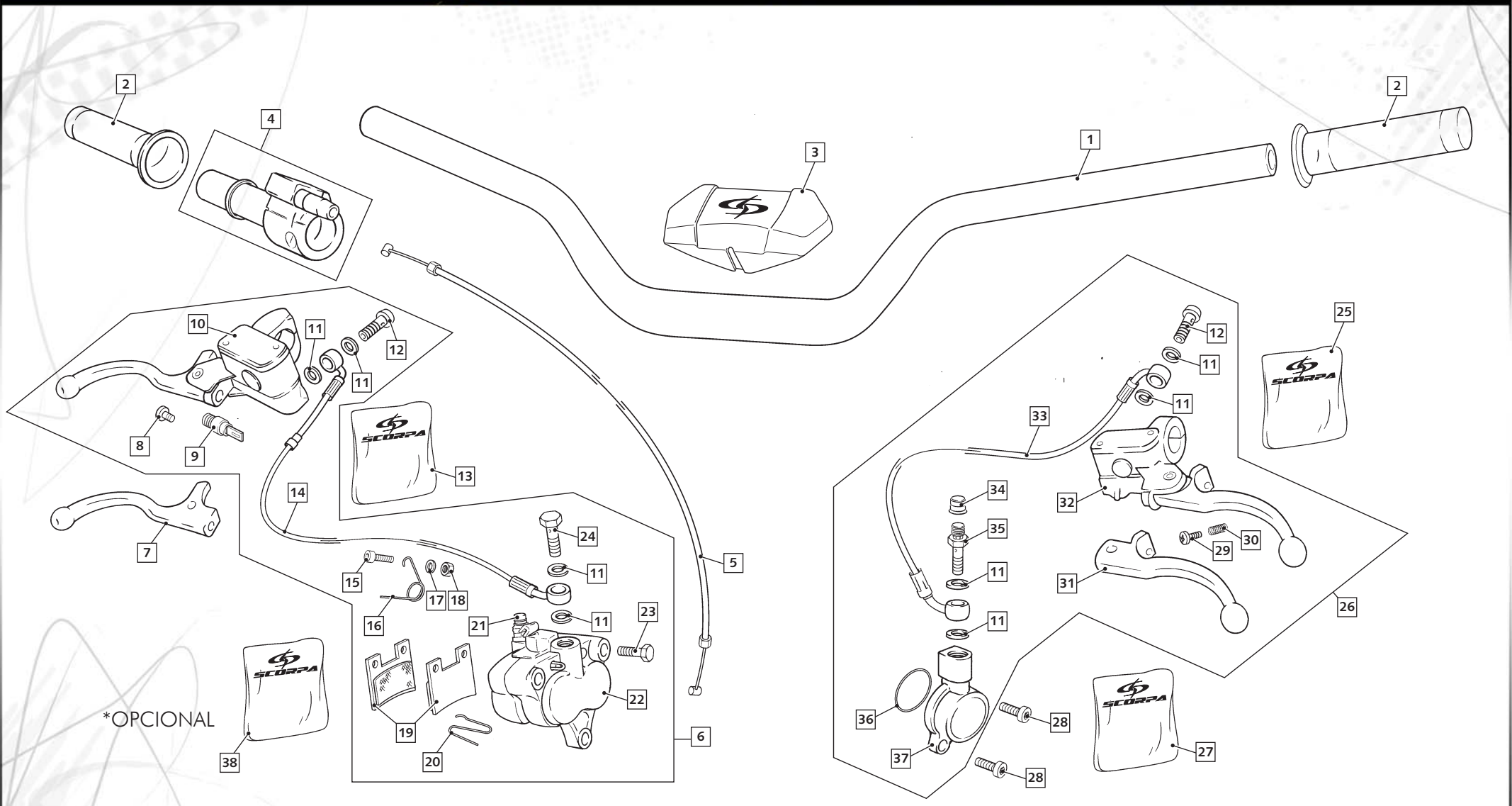


POS.	1.2	2.8	FRANÇAIS	ENGLISH	ESPAÑOL
<b>1</b>	C253	C253	ECROU ROUE ARRIERE	REAR AXLE NUT	TUERCA EJE RUEDA TRASERA
<b>2</b>	M314	M314	RONDELLE X 17 I405 016	WASHER X 17	ARANDELA X 17
<b>3</b>	C254	C254	EXCENTRIQUE DROIT TENDEUR CHAINE	RUNNER CHAIN	EXCENTRICA DERETCHA
<b>4</b>	C255	C255	ENTRETOISE ROUE ARRIERE	REAR BRUSH	SEPARADOR RUEDA TRASERA
<b>5</b>	M249	M249	VIS CHC TETE BASSE 6X20 SS TROU GUID.	SCREW CHC 6 X 20	TORNILLO M 6 X 20 CABEZA REBAJADA
<b>6</b>	2002	2002	DISQUE FREIN ARRIERE TR 2009	REAR DISC 2009 TR	DISCO FRENO TRASERO 2009 TR
<b>7</b>	R049	R049	ROULEMENT DE MOYEU 6004 2RS	BEARING HUB 6004 2RS	RODAMIENTO BUJE 6004 2RS
<b>8</b>	C251	C251	PNEU ARRIERE 400X18	REAR TYRE 400 X 18	NEUMATICO 400 X 18 TUBELESS
<b>9</b>	3376	C265	CHAINE 103M	CHAIN 103M	CADENA 103M
<b>10</b>	M227	C267	PIGNON 9 D	SPROCKET 9 T	PINON 9 D
<b>11</b>	M287	M287	VIS BHC 8 X 22	SCREW BHC 8 X 22	TORNILLO BHC 8 X 22
<b>12</b>	C256	C256	EXCENTR. GAUCHE TENDEUR CHAINE	LEFT REAR AXLE EXCENTRIC	EXCENTRICA IZQUIERDA
<b>13</b>	C326	C326	AXE ROUE ARRIERE 2002	AXELE BACK WEEL 2002	EJE RUEDA TRAS 2002
<b>14</b>	2299	2299	DOUILLE BRONZE PEDALE FREIN TR	BEARING	CASQUILLO BRONCE PEDAL FRENO TR
<b>15</b>	2796	2796	PEDALE DE FREIN SR280	REAR BRAKE LEVER SR 280	PALANCA FRENO TRAS SR 280
<b>16</b>	2873	2873	ROUE AR COMPLETE NOIR LIMEE NER SR125	REAR WEEL COMPLET SR 125	RUEDA TRASERA COMPLETA NEGRA LIMADA NER SR 125
<b>17</b>	2326	2326	VIS BHC 8 X 35 NOIR	SCREW BHC 8X35 BLACK	TORNILLO M8 X 35 ULS NEGRO
<b>18</b>	C264	C264	ENTRETOISE PEDALE DE FREIN	SPACER BRAKE PEDAL	CASQUILLO PEDAL DE FRENO
<b>19</b>	C304	C304	1/2 MAILLON DE CHAINE	HALF COMPLING CONNECTION	MEDIA MALLA DE CADENA
<b>20</b>	M305	M305	ECROU NYLSTOP M8 0368.8	NUT NYLSTOP M8	TUERCA NYLSTOP M8
<b>21</b>	C261	C261	TIGE FREIN ARRIERE	PIN BRAKE ROD	TIJA PEDAL FRENO TRASERO
<b>22</b>	M284	M284	VIS BHC 6 X 25 1093 NOIRE	SCREW BHC 6 X 25 NEGRO	TONILLO 6 X 25 ULS BLACK
<b>23</b>	2794	2794	GROUPE FREIN ARR SR280	ASSEMBLY REAR BREAKER SR 280	CTO FRENO TRAS SR 280
<b>24</b>	C259	C259	CHAPE PEDALE FREIN 0267	REAR BRAKE ROD	HORQUILLA PEDAL DE FRENO
<b>25</b>	M309	M309	ECROU STANDARD M6 0317	NUT M6	TUERCA M6
<b>26</b>	NEW	NEW	POMPE FREIN AR 9.5 SCORPA	REAR MASTER CYLINDER 9.5 SCORPA	BOMBA FRENO TRASERO 9.5 SCORPA
<b>27</b>	R069	R069	TUBE LIQ. FREIN BOCAL/POMPE L210	OIL TANK TUBE L 210	TUBO LIQUIDO FRENO L 210
<b>29</b>	R066	R066	BOCAL LIQUIDE FREIN	OIL TANK BRAKE	DEPOSITO LIQUIDO FRENO
<b>30</b>	C331	----	COURRONE 44D 4 TROUS	REAR SPROKET 44D 4 TROUS 2002	CORONA 44D 4 TROUS 2002
<b>30</b>	----	C330	COURRONE 42D 4 TROUS	REAR SPROKET 42D 2002	CORONA 42D 4TROUS 2002
<b>31</b>	R074	R074	RONDELLE BANJO	ALUMINIUM SEAL	ARANDELLA BANJO
<b>32</b>	3631	3631	VALVE AR JANTE NER	TUBLESS VALVE RIM NER	VALVULA LLANTA NERVIO

5	28
6	30
7	38
8	39
11	40
20	46

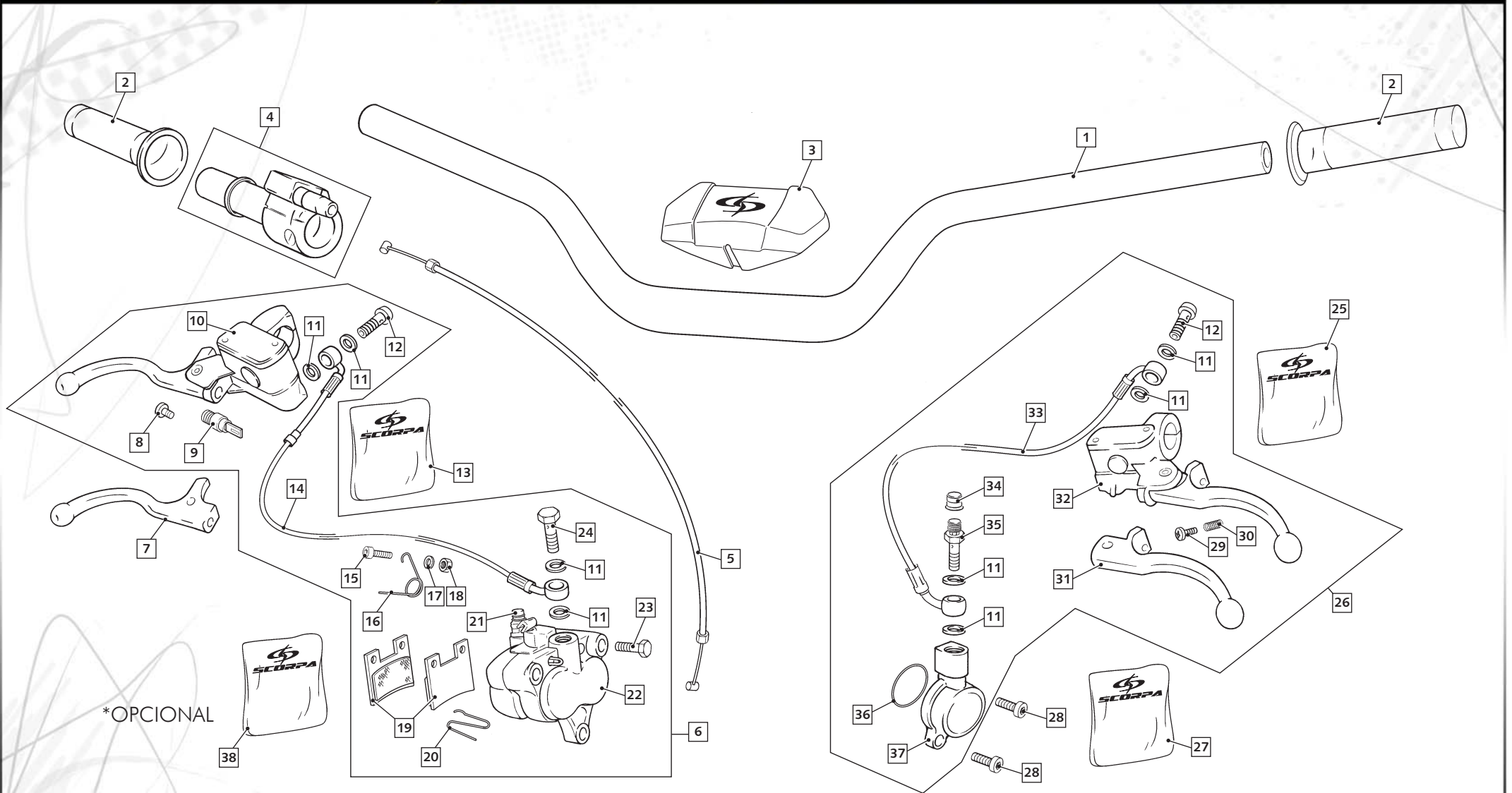


POS.	1.2	2.8	FRANÇAIS	ENGLISH	ESPAÑOL
33	R059	R059	VIS RACCORD M10 X 21	LINK SCREW M10 X 21	TORNILLO RACORD M10 X 21
34	3407	3407	DURITE FREIN AR SR	REAR BRAKE HOSE SR	LATIGUILLO FRENO TRASERO SR
35	R233	R233	KIT REPARATION POMPE FREIN AR 2002	KIT BACK CALIPER 2002	KIT REPARATION PINZA FRENO TR 2002
36	C386	C386	ETRIER FREIN ARRIERE 2002	REAR CALIPER 2002	PINZA FREINO TRASERO 2002
37	R044	R044	VIS RACC. POMPE FRE/EMB M10X19 BHC	SCREW PUMP BRAKE/CLUTCH	RACORD BOMBA FRENO/EMB
40	3390	3390	JANTE ARRIERE OR NERVURE 32 RAYONS	REAR RIM GOLD NERVE 32 R	LLANTA TRASERA ORO NERVADA 32 R
41	C323	C323	MOYEU ARRIERE 2002	REAR HUB 2002	BUJE TRASERO 2002
42	R235	R235	KIT ETRIER ARRIERE 2002	KIT CALIPER BACK 2002	KIT PINZA FRENO TR 2002
43	M282	M282	VIS BHC 6 X 10 1093	SCREW BHC 6 X 10	TORNILLO 6 X 10 BHC
44	R034	R034	ATTACHE RAPIDE DE CHAINE	CONNECTING LINK	ENGANCHE CADENA
45	C390	C390	PLAQUETTES FREIN ARRIERE PAIRE 2002	REAR PAD BRAKE PAIR 2002	JUEGO PASTILLAS TRESERO 2002
47	M316	M316	RONDELLE X 8 1405 08	WASHER X 8	ARANDELA 8 DIN 125 A
48	M305	M305	ECROU NYLSTOP M8 0368.8	NUT NYLSTOP M8	TUERCA NYLSTOP M8
49	3391	3391	RAY. DEMIE 165X3.5 NOIR COTE DISQUE	HALF SPOC. 165X3.5 BLACK SIDE BRAKE	RAD. SEMI 165X3.5 NEG. LADO DISC.
50	3392	3392	RAY. L MINI 34.5X3.5 COTE DIS. NO.	MINI SPOC. L 34.5X3.5 SIDE BRAKE BL.	RAD. L MINI 34.5X3.5 LADO DISC. NEG.
51	3393	3393	RAY. DEMIE 175X3.5 COTE COURO. NO.	HALF SPOC. 175X3.5 SIDE TRANS BLACK	RAD. SEMI 175X3.5 LADO CORO. NEG.
52	3394	3394	RAY. L MINI 35.5X3.5 COTE COURO. NO.	SPOC. L MINI 35.5X3.5 SIDE TRANS BL.	RAD. L MINI 35.5X3.5 LADO CORO. NE.
53	3395	3395	TENDEUR RAYON AR	REAR NIPPLE SPOCKE	TENSOR RADIO TRASERO
54	2632	2632	ENTRETOISE PEDALE DE FREIN SR 280	SPACER REAR BRAKE LEVER SR 280	CASQUILLO PALANCA FRENO TRAS SR 280
55	2804	2804	SUPPORT BOCAL FREIN SR280	TANK BRAKE HOLDER SR280	SOPORTE BOTELLIN FRENO SR280
56	M250	M250	VIS CHC 5X16 0084	SCREW CHC 5X16	TORNILLO CHC 5X16 ALLEN
57	M311	M311	ECROU M5 STANDARD 0317	NUT STANDARD M5	TUERCA M5



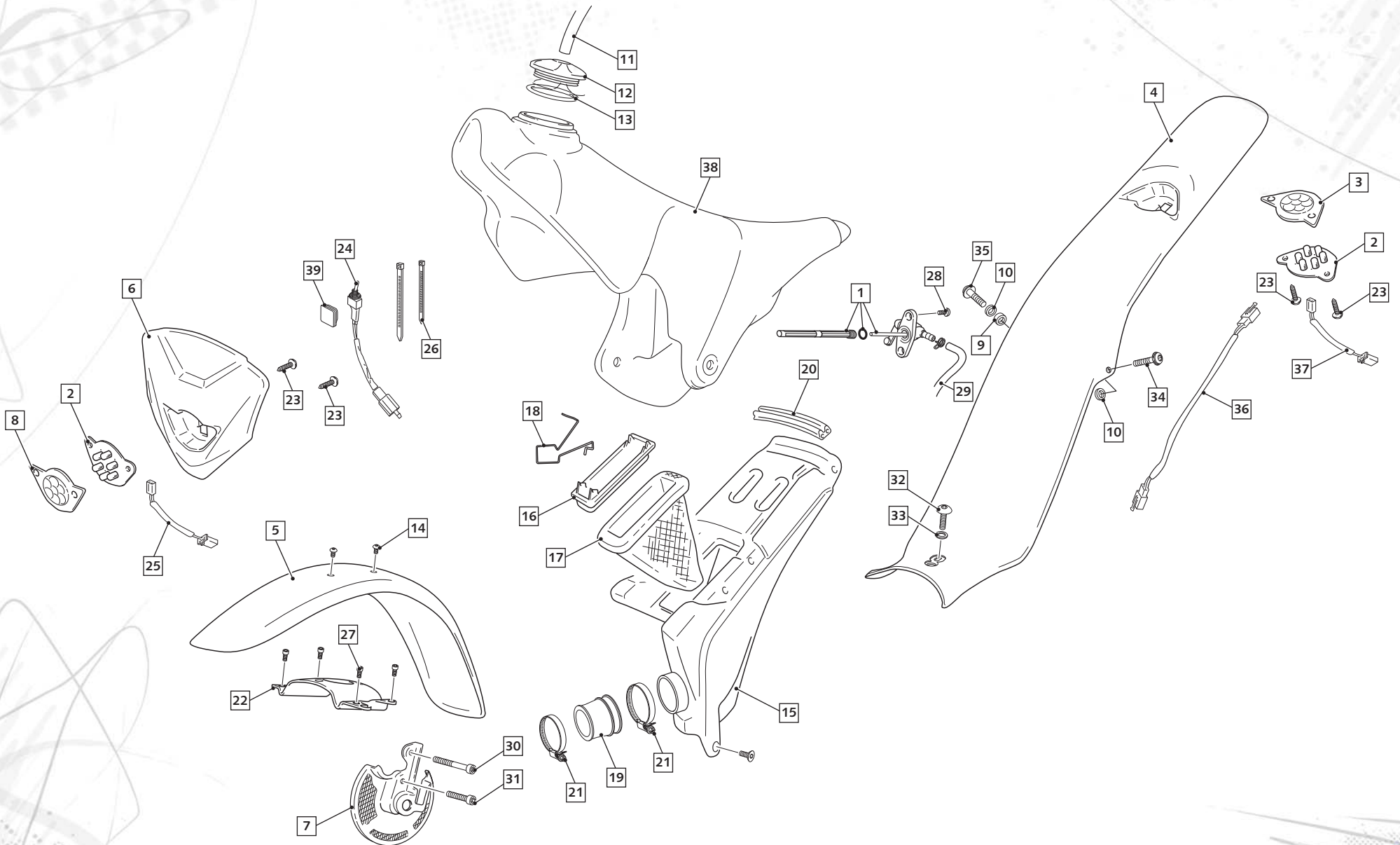
\*OPCIONAL

POS.	1.2	2.8	FRANÇAIS	ENGLISH	ESPAÑOL
1	2792	2792	GUIDON SR280/SY125	HANDEL BAR SR 280	MANILLAR SR 280
2	1662	1662	POIGNEE CAOUTCHOUC PAIRE REA	GRIPS SET REA	JUEGO EMPUÑADURAS REA
3	2890	2890	MOUSSE DE GUIDON SR280	HANDEL BAR PROTECT SR 280	GOMA PROTECCIÓN MANILLAR SR 280
4	C074	C074	COMMANDE DE GAZ	THROTLER CONTROL	MANDO DE GAS
5	C076	C076	CABLE DE GAZ	THROTTLE CABLE	CABLE DE GAS
6	C318	C318	GROUPE FREIN AVANT DOUBLE PISTON	FRONT BRAKE GROUP COMPLETE	CTO. FRENO DELANTERO DOBLE PISTÓN
7	R440	R440	LEVIER FREIN AVANT POULI SEUL	FRONT BRAKE LEVER POLISHING	MANETA FRENO DEL PULIDA
8	R366	R366	ENTRETOISE INTERUPTEUR FREIN AV	BUSH STOP FR BRAKE	CASQUILLO DISTANCIADOR STOP BOMBA
9	R207	R207	CONTACTEUR FREIN AVANT	FRONT BRAKE ELECTRIC CONTACT	INTERUPTOR FRENO DELANTERO
10	R056	R056	POMPE FREIN AV CPL	FRONT PUMP ASSY	BOMBA FRENO DELANT.
11	R074	R074	RONDELLE BANJO	ALUMINIUM SEAL	ARANDELLA BANJO
12	R044	R044	VIS RACCORD POMPE FREIN/EMB M10X19 BHC	SCREW PUMP BRAKE/CLUTCH	RACORD BOMBA FRENO/EMB.
13	R053	R053	KIT REPARATION POMPE FREIN	KIT REPAIR MASTER CYLINDER CPL FRONT	KIT REPARACION BOMBA DEL.
14	R033	R033	DURITE EMBRAYAGE	CLUTCH HOSE	LATIGUILLO EMBRAGUE
15	M283	M283	VIS BHC 6 X 16 1093	SCREW BHC 6 X 16	TORNILLO 6 X 16 ULS
16	R043	R043	GUIDE DURITE FREIN AV	GUIDE FRONT BRAKE HOSE	GUÍA LATIGUILLO
17	M317	M317	RONDELLE 6 X12 0407 6	WASHER X 6	ARANDELA 6 DIN 125 A
18	M306	M306	ECROU NYLSTOP M6 0368.6	NUT NYLSTOP M6	TUERCA NYLSTOP M6
19	C389	C389	PLAQUETTES FREIN AVANT PAIRE 2002	FRONT PAD BRAK PAIR 2002	JUEGO PASTILLAS FRENO DEL JUEGO 2002
20	R042	R042	CLIP PLAQUETTES	CLIP PAD BRAKE	MUELLE PASTILLAS FRENO
21	R057	R057	PURGEUR ETIER AVANT	PURGE STIRRUP SCREW	SANGRADOR DELANTERO
22	C387	C387	ETRIER FREIN AVANT DOUBLE PISTON	FRONT CALIPER 2 PISTON	PINZA FRENO DEL DOBLE PISTÓN
23	R236	R236	AXE ETRIER FREIN AV DL/PISTON	PIN FRONT CALIPER DL PISTON	EJE PINZA FRENO DL/PISTÓN
24	R059	R059	VIS RACCORD M10 X 21	LINK SCREW M10 X 21	TORNILLO RACORD M10 X 21
25	R053	R053	KIT REPARATION POMPE FREIN	KIT REPAIR MASTER CYLINDER CPL FRONT	KIT REPARACIÓN BOMBA DEL.
26	M089	M089	GROUPE CPL EMB	COMPLETE CLUTCH SET	GRUPO EMBRAGUE COMPLETO
27	R023	R023	KIT REPARATION PISTON EMBRAYAGE	KIT REPAIR CLUTCH CYLINDER	KIT REPARACIÓN PISTÓN EMBRAGUE
28	M252	M252	VIS CHC 6 X 20 0084	SCREW CHC 6 X 20	TORNILLO 6 X 20 DIN 912
29	R368	R368	VIS TENDEUR LEVIER EMB	SCREW REGUL CLUTCH LEVER	TORNILLO REGULACIÓN LEVA EMB.
30	R367	R367	RESSORT LEVIER EMB	SPRING CLUTCH LEVER	MUELLE REGULACIÓN LEVA EMB.
31	R441	R441	LEVIER EMB SEUL POLI	FRONT CLUTCH LEVER POLISHING	MANETA EMB PULIDA
32	R030	R030	POMPE EMB CPL	CLUTCH FRONT PUMP ASSY	CTO. BOMBA EMB 9.5

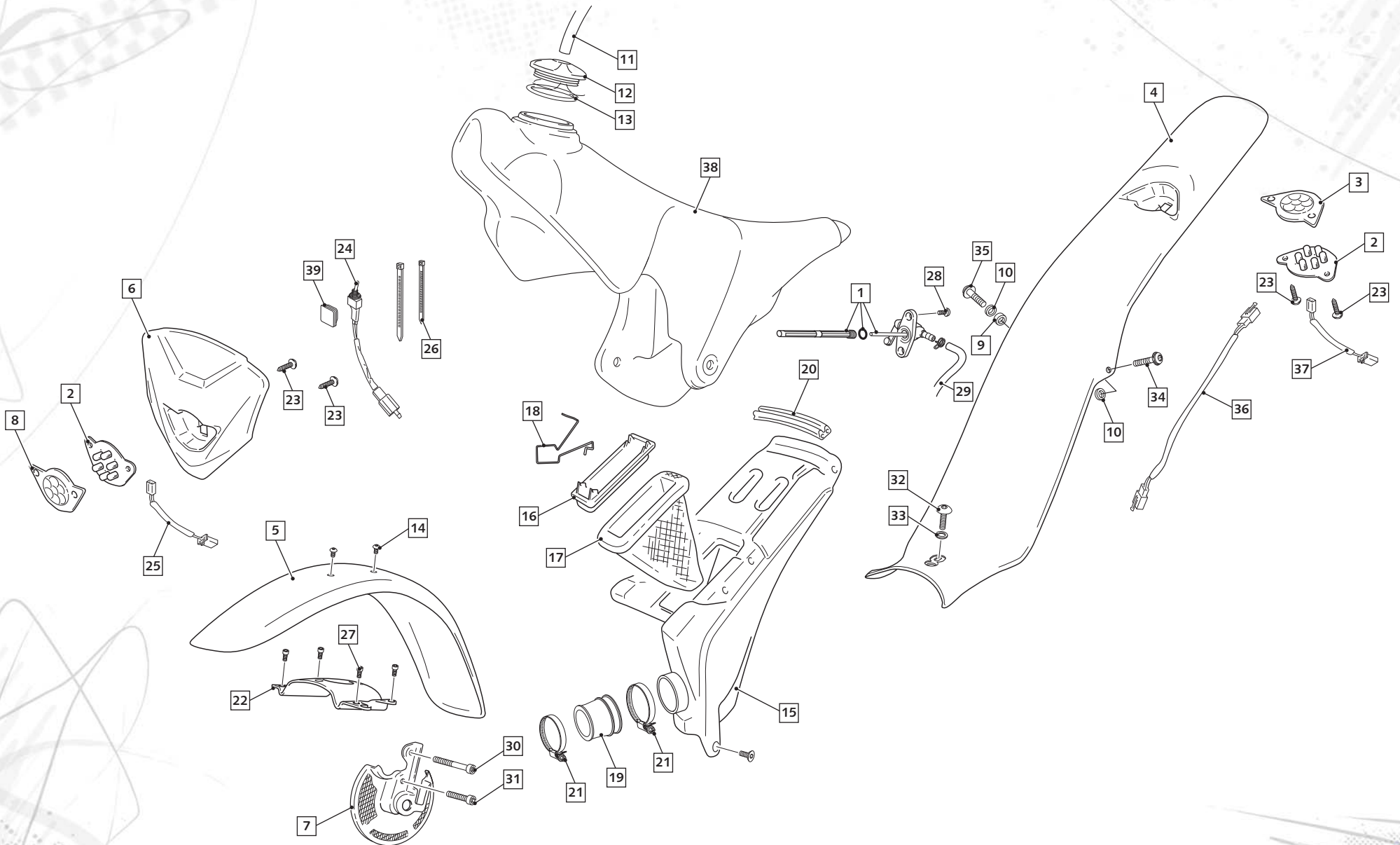




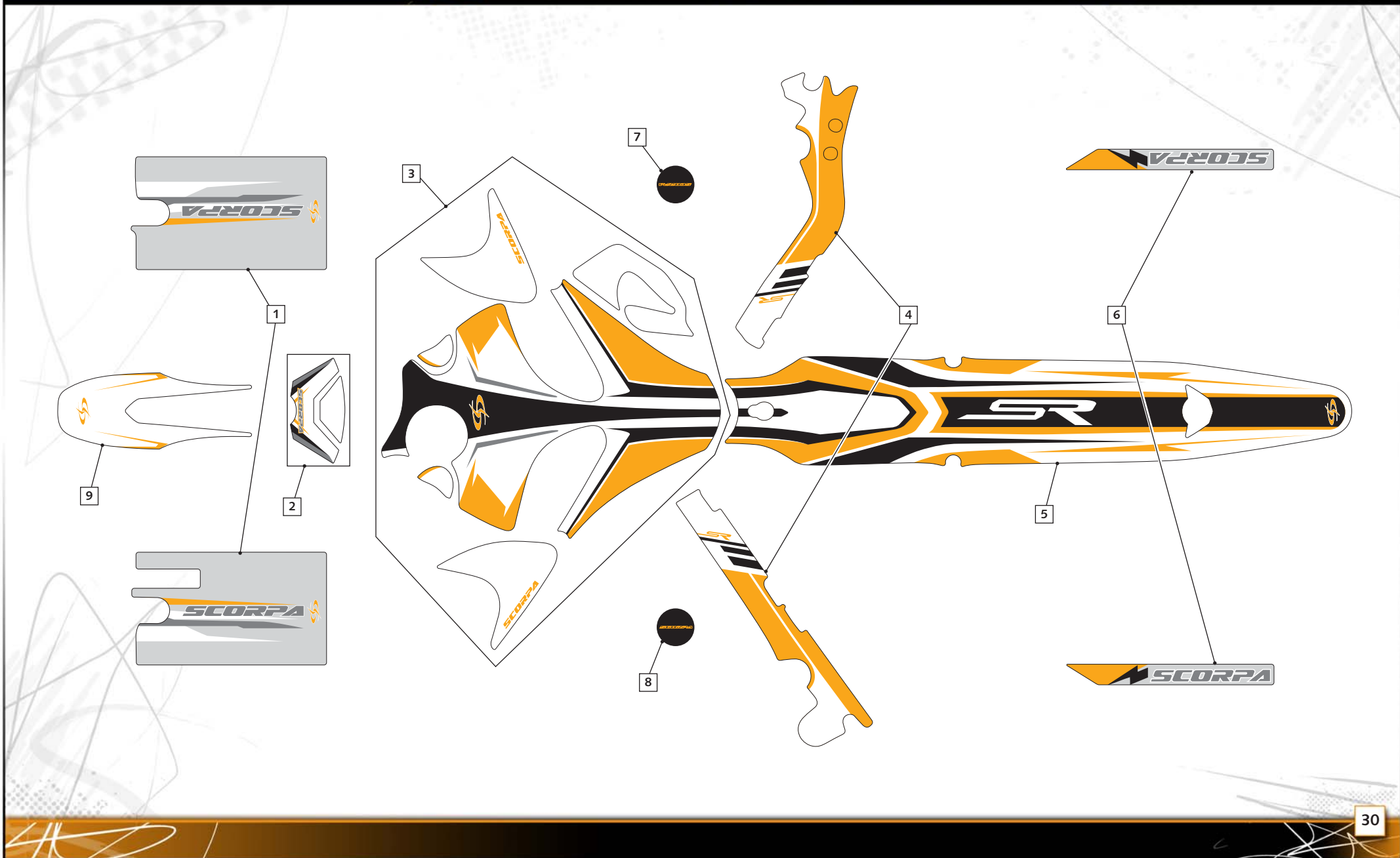




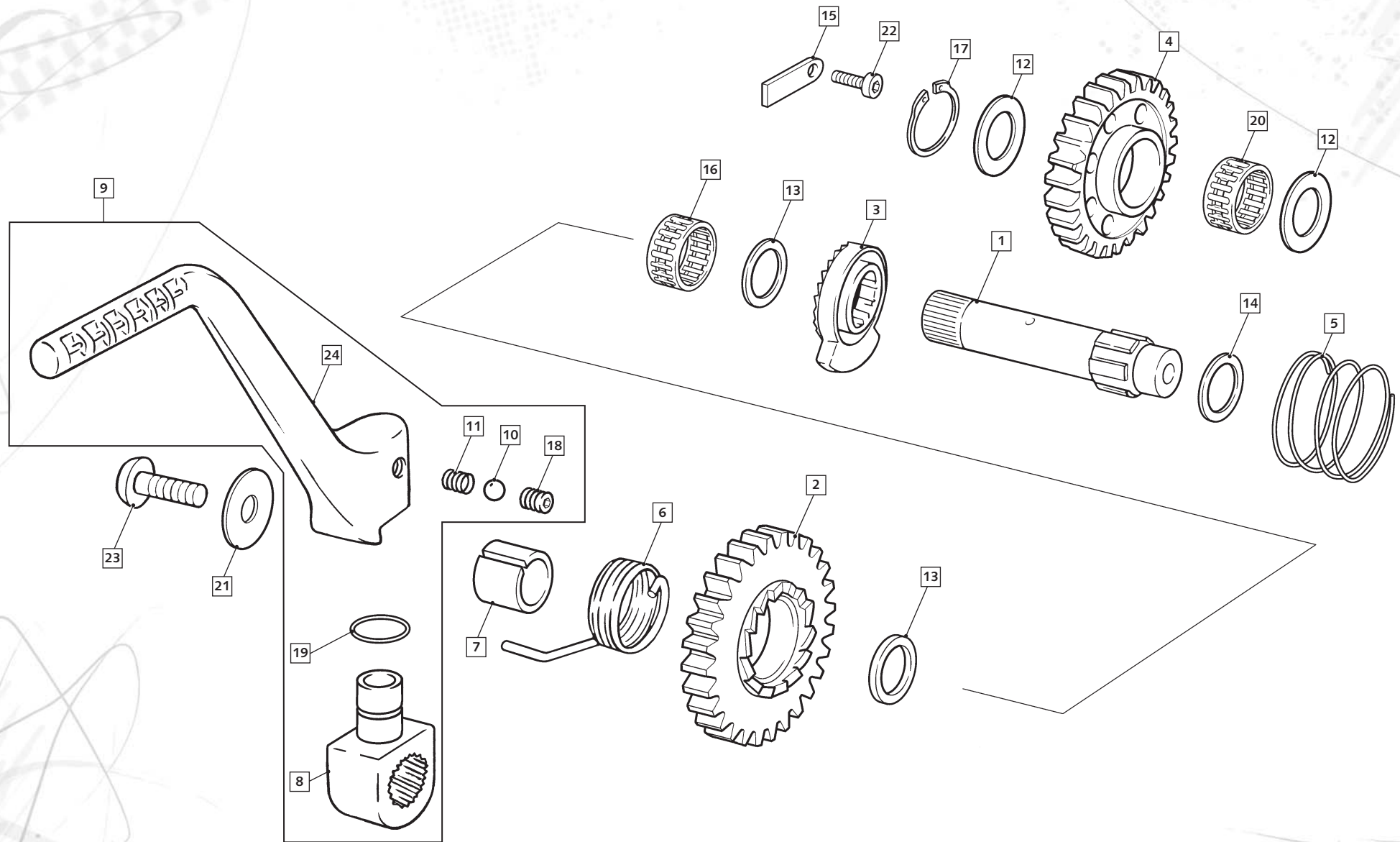
POS.	1.2	2.8	FRANÇAIS	ENGLISH	ESPAÑOL
1	2531	2531	ROBINET ESSENCE SORTIE HORIZONTALE	PETROL TAP	GRIFO GASOLINA HORIZONTAL
2	2762	2762	LED FEU AV/ARR SR280	FRONT/REAR BULB SR280	LED DELANTERO/TRASERO SR280
3	2776	2776	OPTIQUE FEU ARR ROUGE SR280	REAR LIGHT COVER RED SR 280	ÓPTICA PILOTO TRAS ROJA SR 280
4	2788	2788	PARE BOUE ARR GRIS SR280	REAR MUDGUARD SR 280	GUARDABARO TRAS SR 280
5	S198	S198	PARE BOUE AV ORANGE SR280	FRONT MUGUARD ORANGE SR 280	GUARDABARO DEL ARANGE SR 280
6	2797	2797	PLAQUE PHARE ORANGE SR280	FRONT LIGHT ORANGE SR 280	PLACA FARO ARANGE SR 280
7	2799	2799	PROTEGE DISQUE AV GRIS SR280	DISC COVER GREY SR280	CUBREDISCO DELANTERO GRIS SR280
8	3195	3195	OPTIQUE FEU AV BLANCHE SR280	FRONT LIGHT COVER WHITE SR 280	ÓPTICA PILOTO DEL BLANCA SR 280
9	3196	3196	ENTRETOISE ISOLANTE BOITIER FILTRE 3MM	WHASER ISOLANTE AIBOX 3MM	CASQUILLO AISLANTE CAJA FILTRO 3MM
10	3197	3197	ENTRETOISE ISOLANTE BOITIER FILTRE 6MM	WHASER ISOLANTE AIBOX 6MM	CASQUILLO AISLANTE CAJA FILTRO 6MM
11	C043	C043	DURITE BOUCHON ESSENCE	PETROL TUBE	TUBO TAPÓN GASOLINA
12	C712	C712	BOUCHON ESSENCE 06	PETROL CAP 06	TAPÓN GASOLINA 06
13	C721	C721	JOINT BOUCHON ESSENCE 06	SEAL PETROL CAP 06	JUNTA TAPÓN GASOLINA 06
14	M278	M278	VIS BHC 5 X10 I093	SCREW BHC 5X10	TORNILLO 5 X 10 ULS
15	2774	2774	BOITIER FILTRE SR280	AIR BOX SR 280	CAJA FILTRO SR 280
16	2781	2781	COUVERCLE FILTRE SR 280	AIR BOX COVER SR 280	TAPÓN CAJA FILTRO SR 280
17	2795	2795	MOUSSE DE FILTRE SR280	FOAM SR280	ESPUMA FILTRO SR280
18	3283	3283	RESSORT FILTRE A AIR TY125/SR280	AIR FILTER HOLDE CLIP TY125/SR280	MUELLE CAJA FILTRO TY125/SR280
19	M224	M224	RACORD FILTRE CARBU	MANIFOLD FILTER/CARBU	TOBERA FILTRO CARBU
19	3271	3271	RACCORD FILTRE CARBU SR 125	MANIFOLD FILTER/CARBU SR 125	TOBERA FILTRO/CARBURADOR SR125
20	3199	3199	CAOUTCHOUC FILTRE/GB ML SCORPA	FITTING RUBBER AIBOX MUDGARD SCORPA	ESPUMA FILTRO/ GUARDABARRO SCORPA
21	C110	C110	COLLIER NORMA 32/50	COLLARD NORMA 32/50	ABRAZADERA NORMA 32/50
22	2253	2253	ARCEAU FOURCHE 2010	F/MUDGUARD HOLDER 2010	PUENTE SUSPENSIÓN 2010
23	2939	2939	VIS TOLE 3.9 X 19	SCREW TOLE 3.9 X 19	TORNILLO DIN 7981 3.9 X 19
24	2921	2921	INTERUPTEUR LUMIERE TRIAL 201 I	FRONT LIGHT STOP TRIAL 201 I	INTERUPTOR LUCES TRIAL 201 I
25	2821	2821	FAISEAU OPTIQUE TRIAL 201 I	FRONT LIGHT CABLE SYSTEM TRIAL 201 I	INSTALACIÓN ÓPTICA TRIAL 201 I
26	M331	M331	COLLIER RISLANI 00 X 2.5	COLLIER 100 X 2.5	ABRAZADERA 100X 2.5
27	2938	2938	VIS CHC 6 X 12 0084	SCREW CHC 6 X 12	TORNILLO 6 X 12 DIN 912
28	M278	M278	VIS BHC 5 X10 I093	SCREW BHC 5X10	TORNILLO 5 X 10 ULS
29	M012	M012	DURITE ESSENCE CARBURATEUR	RUBBER TUBE PETROL	TUBO GASOLINA CARBURADOR
30	M265	M265	VIS CHC 8 X 60 0084	SCREW CHC 8 X 60	TORNILLO 8 X 60 ALLEN
31	M262	M262	VIS CHC 8 X 30 0084	SCREW CHC 8 X 30	TORNILLO 8 X 30ALLEN





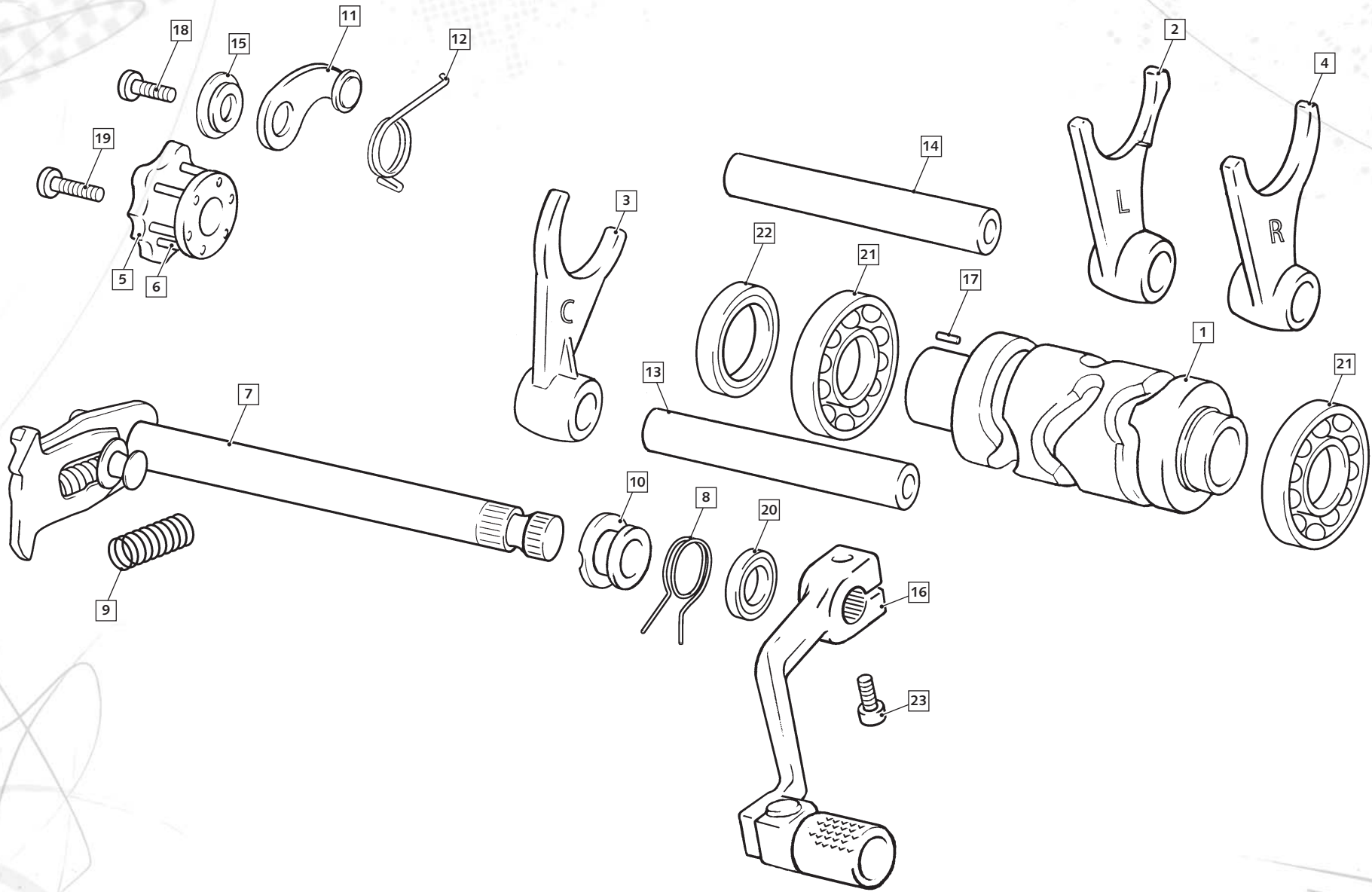




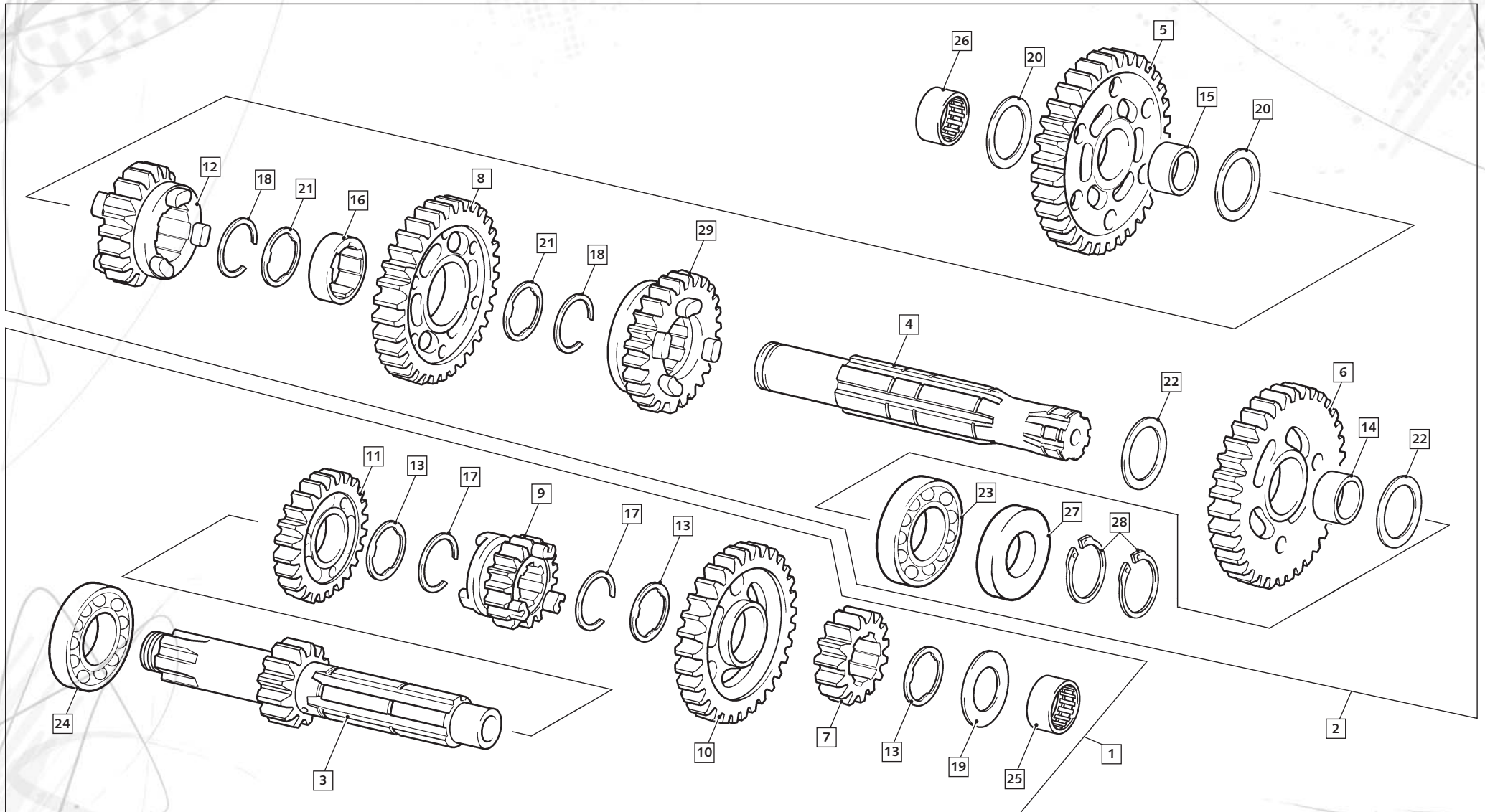




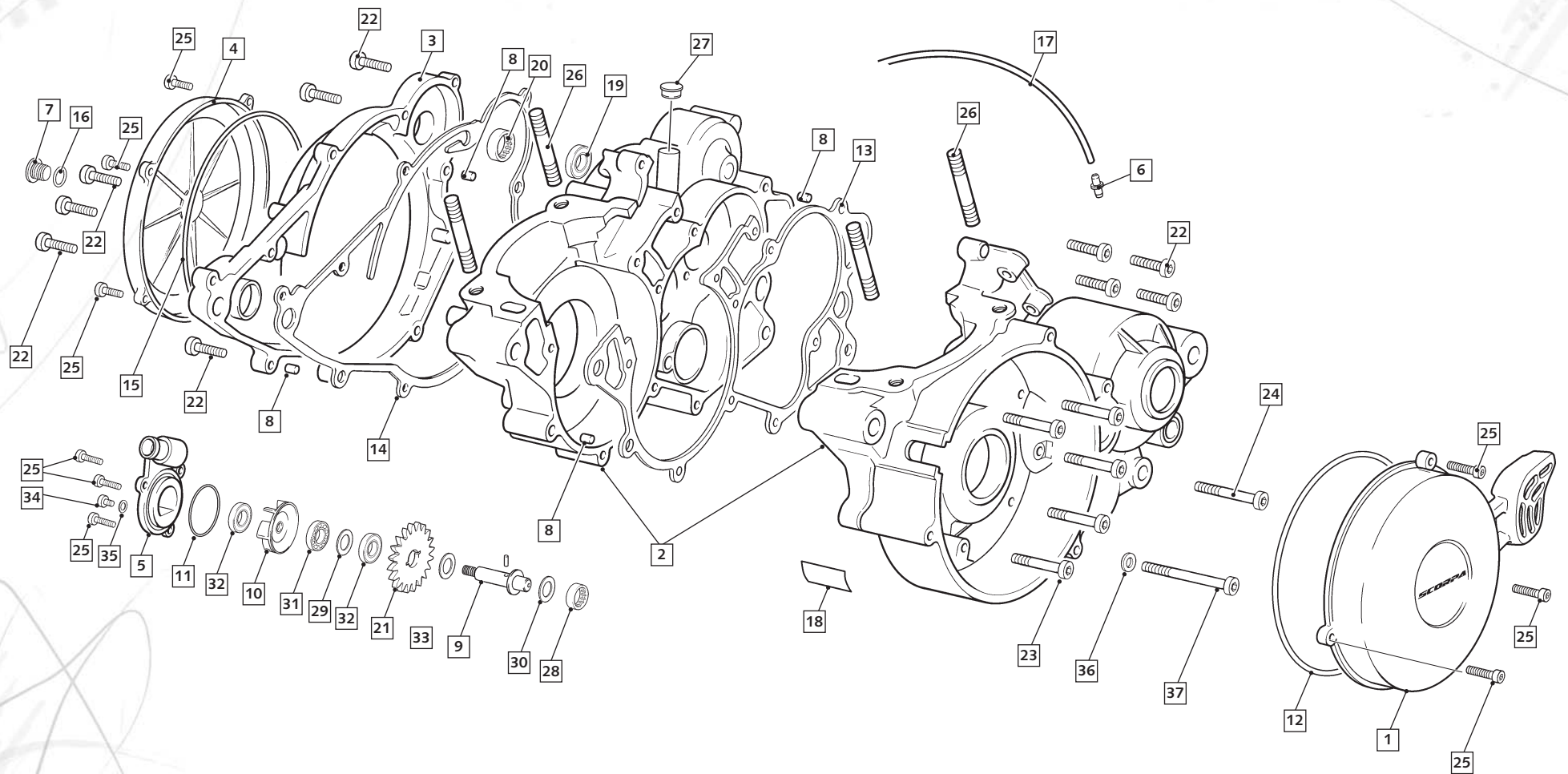
POS.	1.2	2.8	FRANÇAIS	ENGLISH	ESPAÑOL
1	M150	M150	ARBRE LANCEUR	KICKSTARTER SHAFT	EJE ARRANQUE
2	M151	M151	PIGNON LIBRE DENT DE LOUP	KICKSTARTER PINION	PIÑÓN TRINQUETE
3	M152	M152	COULISSEAU DENT DE LOUP	KICKSTARTER FREE RACHET	TRINQUETE DESPLAZABLE
4	M153	M153	ROUE INTERMEDIAIRE	KICKSTARTER IDLE GEAR	RUEDA INTERMEDIA
5	M155	M155	RESSORT COULISSEAU D DE L	COMPRESSION SPRING	MUELLE TRINQUETE
6	M156	M156	RESSORT DE RAPPEL	KICKSTARTER SPRING	MUELLE DE RETORNO
7	M157	M157	DOUILLE CENTRAGE RESSORT	KICKSTARTER SPRING SPACER	CASQUILLO CENTRAJE MUELLE
8	M158	M158	NOIX DE KICK	KICKSTARTER LOWER CLAMP	MUÑEQUILLA PEDAL ARRANQUE
9	2887	2887	KICK COMPLET NEUTRE SCORPA	KICKSTARTER CPL SCORPA	PALANCA DE ARRANQUE COMPLETA SCORPA
10	M160	M160	BILLE 5.5	5.5 BALL	BOLA 5.5
11	M161	M161	RESSORT DE POUSSEE BILLE	BALL SPRING	MUELLE PULSADOR BOLA
12	M163	M163	RONDELLE INA AS 17X30X1	WASHER INA AS 17X30X1	ARANDELA INA AS 17X30X1
13	M164	M164	RONDELLE ARBRE 17X25X1	WASHER 17X25X1	ARANDELA EJE ARRANQUE 17X25X1
14	M165	M165	RONDELLE ARBRE 16X25X1	WASHER 16X25X1	ARANDELA EJE ARRANQUE 16X25X1
15	M166	M166	BUTEE COULISSEAU D DE L	KICKSTARTER RACHET STOP	TOPE TRINQUETE DESPLAZABLE
16	M167	M167	CAGE AIGUILLE PIGNON DENT LOUP	NEEDLE BEARING	JAULA AGUJAS PIÑÓN TRINQUETE
17	M171	M171	SEGMENT ARRET DIAN 17	RETAINING RING 17	SEGER DIÁMETRO 17
18	M169	M169	VIS SANS TETE	SET SCREW	PRISIONERO
19	M168	M168	TORIQUE 14X2	O-RING 14X2	TÓRICA 14X2
20	M077	M077	DOUILLE AIGUILLE HK1712 B	NEEDLE ROLLER BEARING HK1712 B	JAULA AGUJAS HK1712 B
21	M319	M319	RONDELLE 8X18X1.5	WASHER 8X18X1.5	ARANDELA 8X18X1.5 CÓNICA DIN
22	M251	M251	VIS CHC 6X16	SCREW CHC 6X16	TORNILLO M6X16 DIN 912
23	M280	M280	VIS BHC 8X16	SCREW BHC 8X16	TORNILLO M8X16 ULS
24	3429	3429	LEVIER DE KICK SR SEUL	KICKSTARTER LEVER SR ONLY	PEDAL ARRANQUE SR SOLO



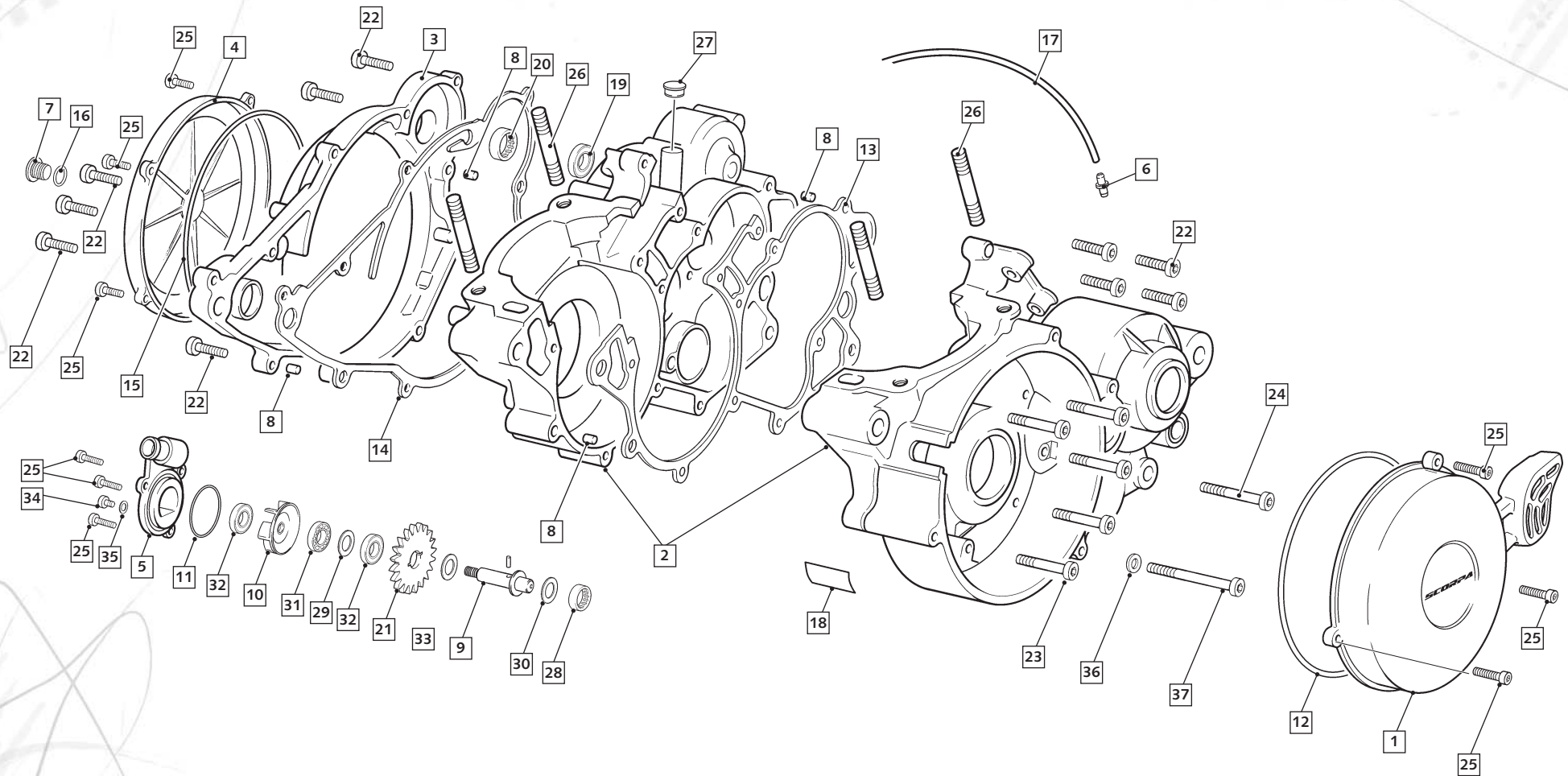
POS.	1.2	2.8	FRANÇAIS	ENGLISH	ESPAÑOL
<b>1</b>	M100	M100	TAMBOUR DE SELECTION	SELECTOR DRUM	DESMODRÓMICO SELECTOR
<b>2</b>	M102	M102	FOURCHETTE L	L FORK	HORQUILLA L
<b>3</b>	M103	M103	FOURCHETTE	C FORK	HORQUILLA C
<b>4</b>	M104	M104	FOURCHETTE R	R FORK	HORQUILLA R
<b>5</b>	M105	M105	ETOILE DE SELECTION CPL	INDEX SHIM	ESTRELLA SELECTOR
<b>6</b>	M106	M106	PION ETOILE INA NRA 3X19,8	SELECTOR DRUM	AGUJA DE SELECTORINA
<b>7</b>	M107	M107	ARBRE DE SELECTEUR CPL	SHIFT SHAFT WITH PAWL ASSY	ÁRBOL SELECTOR
<b>8</b>	M110	M110	RESSORT RAPPEL SELECTION	SPRING SHIFT LEVER	MUELLE RETORNO SELECTOR
<b>9</b>	M111	M111	RESSORT RAPPEL COULISSEAU	PAWL ASSY SPRING	MUELLE RETORNO ESCORPIÓN
<b>10</b>	M113	M113	DOUILLE CENTRAGE RESSORT RAPPEL	SPACER SPRING SHIFT LEVER	CASQUILLO CENTRAJE MUELLE
<b>11</b>	M114	M114	LEVER DE VERROUILLAGE CPL	INDEX LEVER ASSY	PALANCA DE CIERRE SELECTOR
<b>12</b>	M117	M117	RESSORT DE RAPPE LEVIER VERROUIL	INDEX SPRING	MUELLE RETORNO PALANCA DE CIERRE
<b>13</b>	M118	M118	AX DE FOURCHETTE COURT	FORK SPINDLE	EJE DE HORQUILLA CORTO
<b>14</b>	M119	M119	AXE DE FOURCHETTE LONG	FORK SPINDLE LONG	EJE DE HORQUILLA LARGO
<b>15</b>	M121	M121	DOUILLE LEVIER VERROUILLAGE	COLLAR	CASQUILLO PALANCA CIERRE
<b>16</b>	1981	1981	SELECTEUR EXTERIEUR TRIAL RACING	SHIFT LEVER ASSY TRIAL RACING	PALANCA DE CAMBIO TRIAL RACING
<b>17</b>	M122	M122	PION CLAVETAGE NRA 3X11,8	NEEDLE PINNRA 3X11,8	AGUJA DESMO NRA 3X11,8
<b>18</b>	M251	M251	VIS CHC 6X16	SCREW CHC 6X16	TORNILLO M6X16 DIN 912
<b>19</b>	M253	M253	VIS CHC 6X30	SCREW CHC 6X30	TORNILLO M6X30 DIN 912
<b>20</b>	M126	M126	JOINT 12X19X5	SEAL	RETÉN SELECTOR 12X19X5
<b>21</b>	M123	M123	ROULEMENT A BILLES	BEARING	COJINETE
<b>22</b>	M124	M124	JOINT	SEAL	RETÉN
<b>23</b>	M252	M252	VIS CHC 6X20 0084	SCREW CHC 6X20	TORNILLO 6X20 DIN 912



POS.	1.2	2.8	FRANÇAIS	ENGLISH	ESPAÑOL
1	M390	M390	ENSEMBLE ARBRE PRIMAIRE	GROUP PRIMARY SHAFT WITH PINION	CONJUNTO. EJE PRIM. CAMBIO
2	M391	M391	ENSEMBLE ARBRE SECONDAIRE	GR. SECONDARY SHAFT WITH PINION	CONJUNTO. EJE SECUN. CAMBIO
3	M374	M374	ARBRE PRIMAIRE / PIGNON 1ERE EV. 2	GEAR CLUTCH SHAFT EVOL 2	EJE PRIMARIO EVOL 2
4	M054	M054	ARBRE SECONDAIRE	MAINSHAFT	EJE SECUNDARIO
5	M367	M367	PIG. SECONDAIRE 1ERE EVOL 2 S/S	PINION SECOND 1ERE EVOL 2 S/S	PIÑÓN SECOND. 1ERE EVOL 2 S/S
6	M056	M056	ROUE LIBRE DE 2EME S/S	FREE PINION 2EME	CORONA DE 2ª S/S
7	M057	M057	PIGNON FIXE DE 2EME S/P	GEAR PINION 2EME	PIÑÓN DE 2ª S/P
8	M058	M058	ROUE LIBRE DE 3EME S/S	FREE PINION 3EME	CORONA DE 3ª S/S
9	M059	M059	PIGNON BALADEUR DE 3EME S/P	GEAR PINION 3EME	PIÑÓN DESPLAZABLE 3ª S/P
10	M061	M061	ROUE LIBRE DE 5EME S/P	FREE PINION 5EME	CORONA LIBRE DE 5ª S/P
11	M062	M062	LIBRE DE 4EME S/P	GEAR PINION 4EME	PIÑÓN DE 4ª S/P
12	M063	M063	ROUE BALADEUSE DE 4EME S/S	FREE PINION 4EME	CORONA DESPLAZABLE DE 4ª S/S
13	M064	M064	RONDELLE CRENEAUX 20X24X1	GEAR WASHER	ARANDELA ESTRIADA
14	M065	M065	DOUILLE ANTI FRICTION 1ERE	BUSHING 1ERE	CASQUILLO ANTI-FRICCIÓN 1ª
15	M066	M066	DOUILLE ANTI FRICTION 2EME	BUSHING 2EME	CASQUILLO ANTI-FRICCIÓN 2º
16	M067	M067	DOUILLE ANTI FRICTION 3EME	BUSHING 3EME	CASQUILLO ANTI-FRICCIÓN 3º
17	M068	M068	SEGMENT ARRET WR20	RETAINING WR 20	SEEGER WR 20
18	M069	M069	SEGMENT ARRET WR22	RETAINING WR 22	SEEGER WR 22
19	M070	M070	RON. INA ARBRE PRIMAIRE 27,8X15X1	THRUST WASHER 28,7X15X1	ARAN. INA EJE PRIMARIO 27,8X15X1
20	M071	M071	ARBRE SECONDAIRE 17X27X1	MAINSHAFT WASHER	ARANDELA EJE SECUNDARIO
21	M072	M072	RONDELLE CRENEAU ARBRE	WASHER	ARANDELA ESTRIADA EJE SECUNDARIO
22	M073	M073	RON. ARBRE SECONDAIRE 20X27X1	MAINSHAFT WASHER	ARANDELA EJE SECUNDARIO
23	M074	M074	ROULEMENT 20X47X14	BEARING 20X47X14	COJINETE 20X47X14 6204 C3
24	M075	M075	ROULEMENT 20X47X14 RSR	BEARING 20X47X14RSR	COJINETE 20X47X14 6204 RS
25	M076	M076	DOUILLE AIGUILLE 15X21X12	NEEDLE BEARING 15X21X12	CASQUILLO DE AGUJAS 15X21X12
26	M077	M077	DOUILLE AIGUILLE HK1712B	NEEDLE BEARING	CASQUILLO DE AGUJAS HK1712B
27	M078	M078	DOUBLE LEVRE 20X30X7	OIL SEAL 20X30X7 JOINT	RETÉN DOBLE LABIO 20X30X7
28	M350	M350	ARRET WR20 SORTIE BOITE	SNAP RING WR20	SEGMENT ARRET WR20
29	M060	M060	PIGNON LIBRE DE 5EME S/S	GEAR PINION 5EME	PIÑÓN DE 5ª S/S

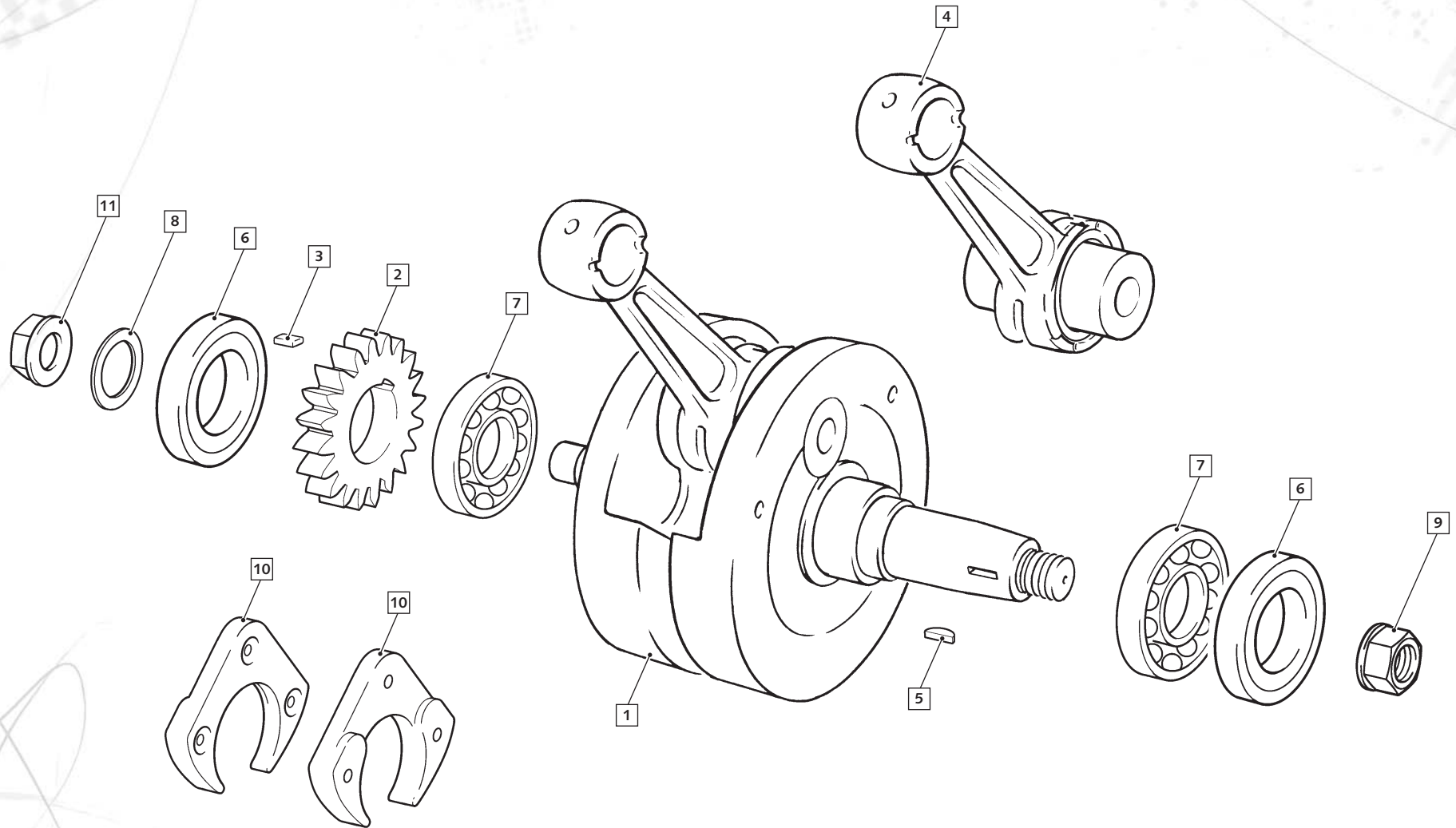


POS.	1.2	2.8	FRANÇAIS	ENGLISH	ESPAÑOL
1	M001	M001	CARTER ALUMAGE GRIS 99	IGNITION COVER	TAPA ENCENDIDO
2	2009	2011	GR. CARTERS CENTRAUX 2.5/2.9 NOIR	CRANCKCASES SET 2.5/2.9 BLACK 09	CARTERS CENTRALES 2.5/2.9 NEGRO
3	2012	2012	COVER CARTER LATERAL DROIT 09	ENGINE SIDE CASE 09	CARTER LATERAL DERECHO 09
4	2625	2625	COUVERCLE EMBRAYAGE NOIR NEUTRE SCORPA	CLUTCH COVER SCORPA	TAPETA EMBRAGUE SCORPA
5	2014	2014	COUVERCLE POMPE EAU 09	WATER PUMP COVER 09	TAPA BOMBA AGUA 09
6	M016	M016	RENIFLAR CARTER CENTRAL	CRANKCASE BREATHER	TUBO DEPRESOR CÁRTERS
7	M021	M021	BOUCHON REMPLISSAGE HUILE	TRANSMISSION OIL FILLER CAP	TAPÓN LLENADO ACEITE CÁRTER
8	M022	M022	CARTER DOUILLE CENTRAGE CARTER	DOWEL PIN	CASQUILLO CENTRADOR
9	M363	M363	AXE POMPE A EAU	WATERPUMP SHAFT	EJE BOMBA AGUA
10	M351	M351	TURBINE DE POMPE A EAU	WATERPUMP IMPELLER	TURBINA BOMBA AGUA
11	M033	M033	JOINT TORIQUE COUVERCLE POMPE	O-RING WATERPUMP COVER	JUNTA TÓRICA TAPA BOMBA AGUA
12	M034	M034	JOINT TORI. COUVERCLE ALLUMAGE	O-RING IGNITION COVER	JUNTA TÓRICA TAPA ENCENDIDO
13	M220	M035	JOINT CARTER CENTRAL	CRANKCASE GASKET	JUNTA CARTER CENTRAL
14	M036	M036	JOINT CARTER LATERAL	ENGINE SIDE CASE GASKET	JUNTA CARTER LATERAL
15	M045	M045	JOINT TORIQUE 155X2	O-RING 155X2	JUNTA TÓRICA 155X2 TAPA EMBRAGUE
16	M162	M162	TORIQUE 10X2.5 BOUCHON HUILE	O-RING	JUNTA TÓRICA TAPÓN ACEITE
17	M017	M017	DURITE RENIFLAR 3X5	CRANKCASE BREATHER PIPE	TUBO DEPRESOR 3X5
18	M079	M079	ADESIF OIL OUT	OIL DRAIN STICKER	ADHESIVO OIL OUT
19	M170	M170	JOINT DOUBLE LEVRES 17X28X5 DL	OIL SEAL 17X28X5 DL	RETÉN DOBLE LABIO 17X28X5 DL.
20	M077	M077	DOUILLE AGUILLE HK1712 B	NEEDLE ROLLER BEARING HK1712 B	JAULA AGUJAS HK1712 B
21	M364	M364	PIGNON POMPE EAU	WATER PUMP PINON	PIÑÓN BOMBA AGUA
22	M253	M253	VIS CHC 6X30	SCREW CHC 6X30	TORNILLO M6X30 DIN 912
23	M254	M254	VIS CHC 6X55	SCREW CHC 6X55	TORNILLO M6X55 DIN 912
24	M256	M256	VIS CHC 6X45	SCREW CHC 6X45	TORNILLO M6X45 DIN 912
25	M250	M250	VIS CHC 5X16	SCREW CHC 5X16	TORNILLO M5X16 CHC
26	M291	M291	GOUJON DE CILYNDRE 8X46	STUD CYLINDER 8X46	ESPÁRRAGO CILINDRO 8X46
27	M042	M042	RIVET CARTER CENTRAUX	CRANKCASE CLINCH	REMACHE CARTER CENTRAL
28	M029	M029	ROULEMENT AGUILLE POMPE A EAU	WATER PUMP NEEDLE BEARING	COJ. AGUJAS BOMBA AGUA HK0808
29	M049	M049	RON. BUTTE POMPE A EAU 8X16X0.5	WASHER PUMP BUSHING 8X16X0.5	ARANDELA 8X16X0.5
30	M030	M030	RON. BUTTE POMPE A EAU 8X16X1	WASHER PUMP BUSHING 8X16X1	ARANDELA 8X16X1
31	M027	M027	ROULEMENT	BEARING	COJINETE BOMBA H2 O
32	M031	M031	JOINT	SEAL	RETÉN

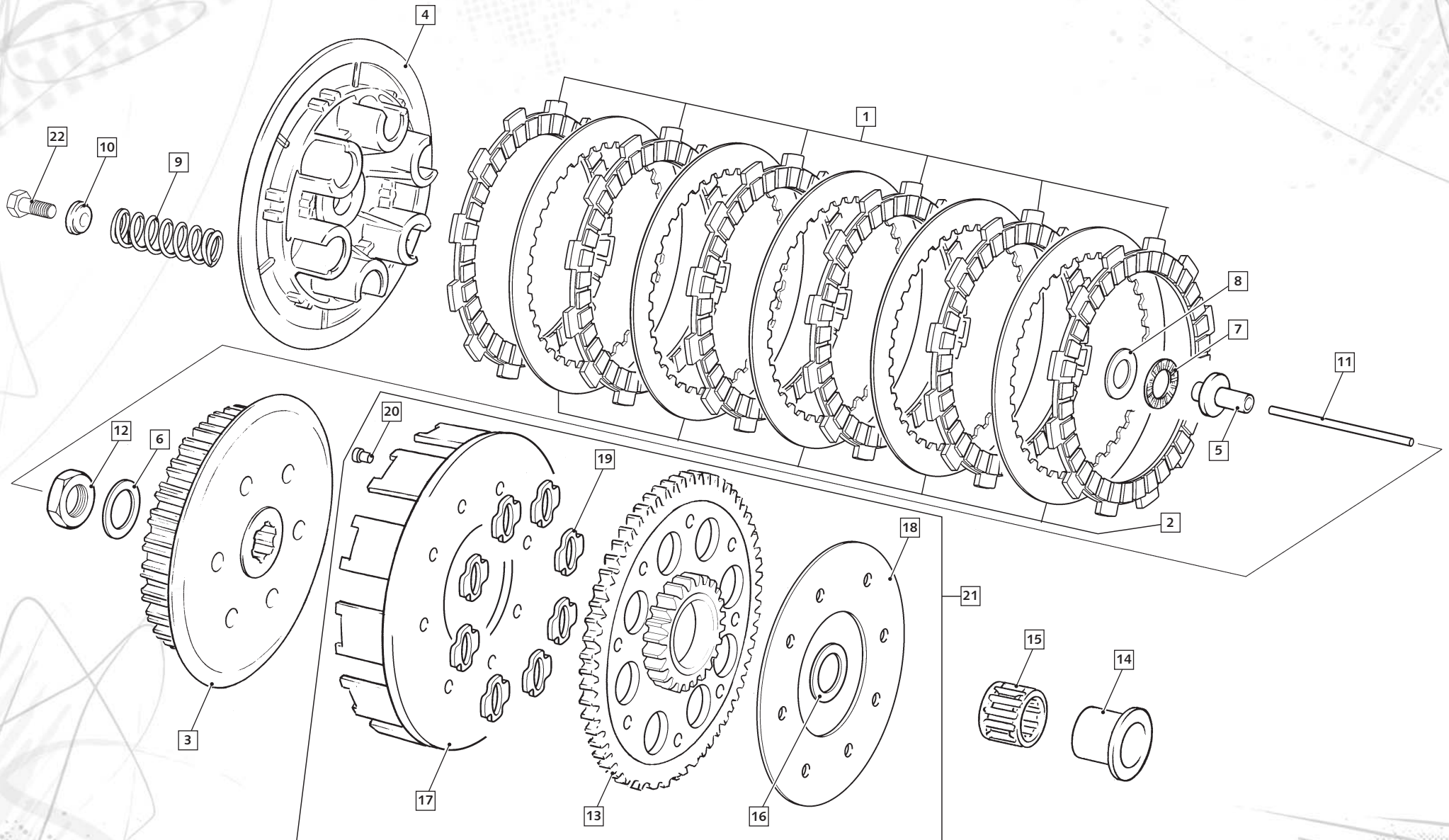




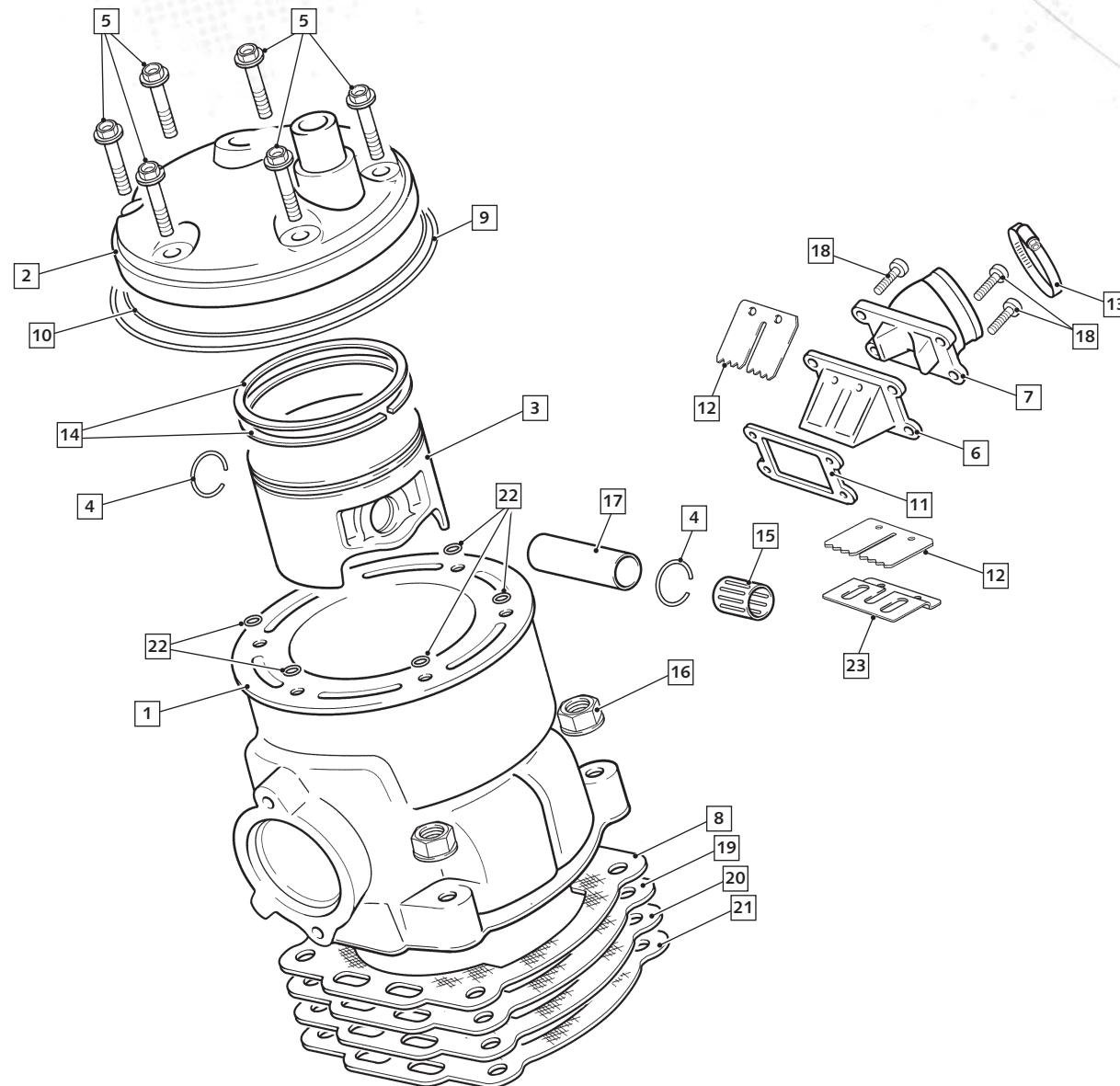




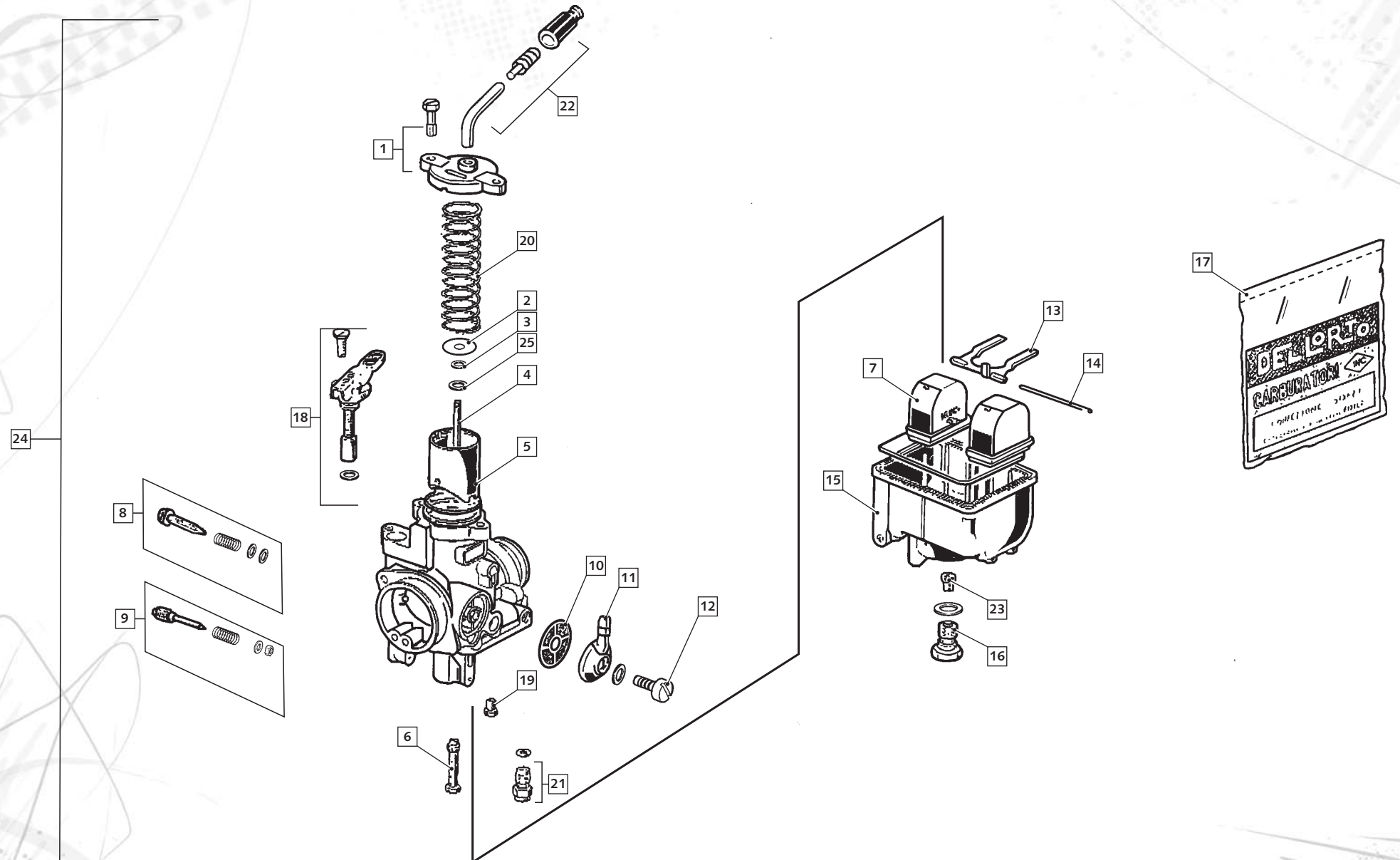






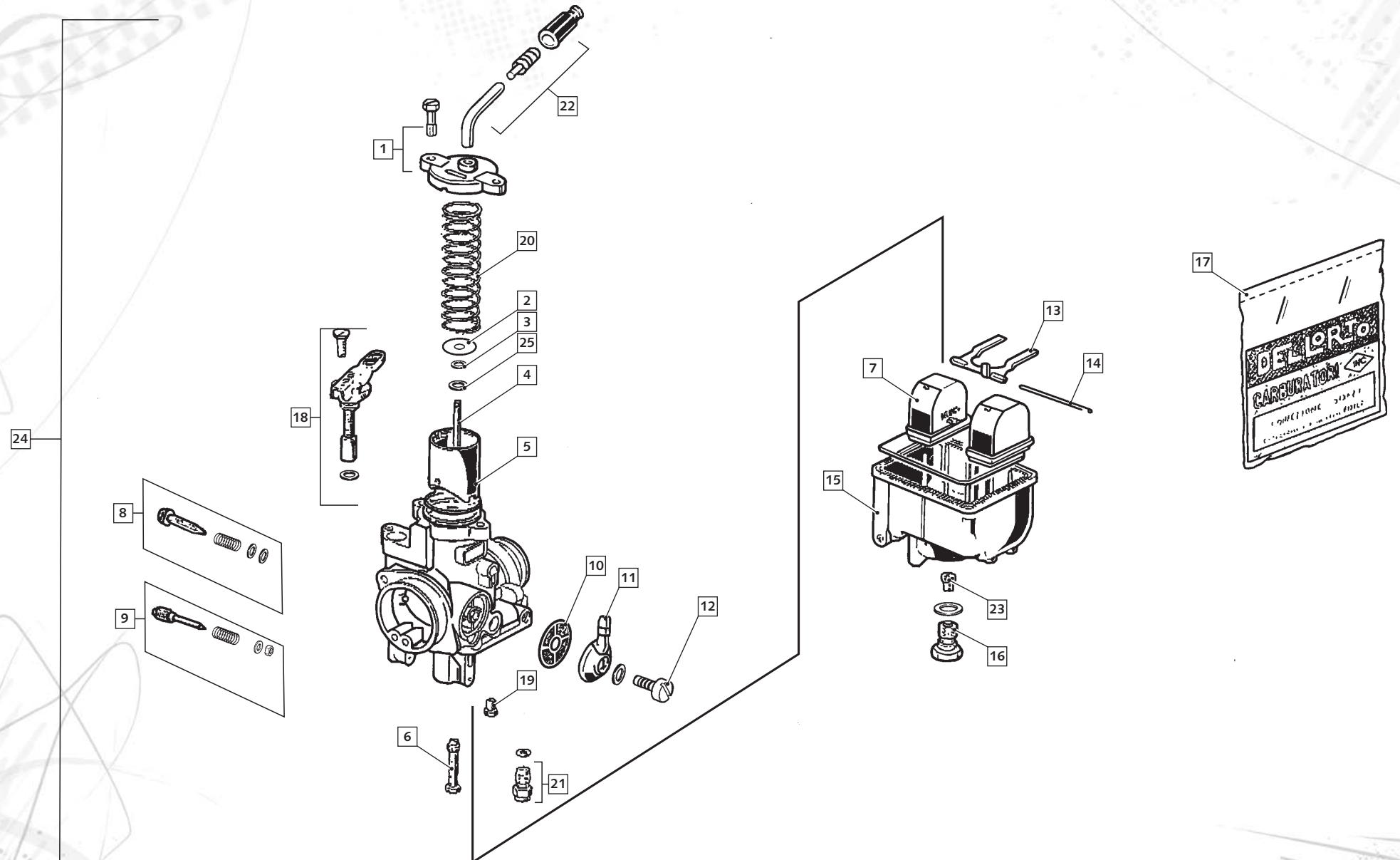


POS.	1.2	2.8	FRANÇAIS	ENGLISH	ESPAÑOL
<b>1</b>	2870	----	CYLINDRE 125 NEUTRE SCORPA	CYLINDER 125 SCORPA	CILINDRO 125 NEUTRO SCORPA
<b>1</b>	----	2803	CYLINDRE 280 NEUTRE SCORPA	CYLINDER 280 SCORPA	CILINDRO 280 NEUTRO SCORPA
<b>2</b>	1987	1987	CULASSE 125 09 TRIAL	CYLINDER HEAD 125 09 TRIAL	CULATA 125 09 TRIAL
<b>2</b>	1221	1221	CULASSE 2.9 07	CYLINDER HEAD 2.9 07	CULATA 2.9 07
<b>3</b>	M212	M245	PISTON CPL A	PISTON CPL A	PISTÓN COMP. A
<b>3</b>	M580	M589	PISTON CPL B	PISTON CPL B	PISTÓN COMP. B
<b>3</b>	M581	M590	PISTON CPL C	PISTON CPL C	PISTÓN COMP. C
<b>3</b>	M582	M591	PISTON CPL D	PISTON CPL D	PISTÓN COMP. D
<b>4</b>	R218	R218	CIRCLIPS PISTON	PISTON CIRCLIP	SERCLIP PISTÓN
<b>5</b>	0547	0547	VIS TH 6X30	SCREW TH EP 6X30	TORNILLO TH 6X30
<b>6</b>	C470	M018	BOITE A CLAPETS	REEDS CASE	CAJA DE LAMINAS COMPLETA
<b>7</b>	M019	M019	PIPE ADMISSION E3	ADMISSION PIPE E3	TUBERA ADMISIÓN E3
<b>8</b>	M221	M681	JOINT EMBASE CYLINDRE	CYLINDER GASKET	JUNTA CILINDRO
<b>9</b>	M038	M038	JOINT TORIQUE CULASSE VITON	CYLINDER HEAD O-RING	JUNTA TÓRICA CULATA EXTERIOR
<b>10</b>	M039	M039	JOINT TORIQUE CULASSE VITON	CYLINDER HEAD O-RING	JUNTA TÓRICA CULATA INTERIOR
<b>11</b>	M041	M041	JOINT BOITE CLAPET	REEDCASE GASKET	JUNTA CAJA LAMINAS
<b>12</b>	R022	R022	CLAPET RECHANGE	REED VALVES	JUEGO LAMINAS
<b>13</b>	C110	C110	COLLIER NORMA 32/50	HOSE CLAMP	ABRAZADERA NORMA 32/50
<b>14</b>	R213	R215	SEGMENT RECTANGULAIRE	STANDARD SIZE PISTON RINGS	ARO RECTANGULAR
<b>15</b>	M241	M248	CAGE AIGUILLE PISTON KBK/16X20X18	NEEDLE BEARING KBK/16X20X18	JAULA AGUJAS 16X20X18
<b>16</b>	M272	M272	ECROU EMBASE X8	COLLAR HEX NUT M8	TUERCA M8 CON VALONA DIN 6923 B
<b>17</b>	R219	R221	AXE DE PISTON	PISTON PIN	BULÓN PISTÓN
<b>18</b>	M252	M252	VIS CHC 6X20	SCREW CHC 6X20	TORNILLO M6X20 CHC
<b>19</b>	1180	1171	JOINT EMBASE CYLINDRE 0,20	CYLINDER GASKET 0,20	JUNTA CILINDRO 0,20
<b>20</b>	1181	1172	JOINT EMBASE CYLINDRE 0,30	CYLINDER GASKET 0,30	JUNTA CILINDRO 0,30
<b>21</b>	1182	1173	JOINT EMBASE CYLINDRE 0,40	CYLINDER GASKET 0,40	JUNTA CILINDRO 0,40
<b>22</b>	M040	M040	JOINT TORIQUE CYLINDRE 5,60X9,20X1,80	CYLINDER O-RING BOLT 5,60X9,20X1,80	JUNTA TÓRICA CILINDRO 5,60X9,20X1,80
<b>23</b>	NEW	NEW	TOPE CLAPETS RECHANGE	SUPPORT REED VALVES	TOPE LAMINAS





POS.	1.2	2.8	FRANÇAIS	ENGLISH	ESPAÑOL
<b>1</b>	R369	R369	KIT COUVERCLE BOISSEAU	CARBURETOR COVER	TAPA CARBURADOR
<b>2</b>	R370	R370	PLATINE DE RESSORT CARBU	WASHER STOP	ARANDELA TOPE AGUJA
<b>3</b>	R371	R371	CLIP AIGUILLE CARBU	NEEDLE CLIP	CLIP AGUJA
<b>4</b>	R372	R372	AIGUILLE CARBU	NEEDLE	AGUJA
<b>5</b>	R373	R373	BOISSEAU	SLIDE	CAMPANA
<b>6</b>	R374	R374	PULVERISATEUR CARBU	SPRAYER	PULVERIZADOR
<b>7</b>	R375	R375	FLOTEUR DE CARBU	FLOAT	BOYA
<b>8</b>	R376	R376	KIT VIS RGUL GAS CARBU	IDLE SCREW	TORNILLO RELENTÍ
<b>9</b>	R377	R377	KIT VIS RGUL ESSENCE CARBU	FUEL SCREW	TORNILLO AIRE
<b>10</b>	R378	R378	FILTRE ESS CARBU	FUEL FILTER	FILTRO GASOLINA
<b>11</b>	R379	R379	PIPETTE RECCORD TUBE ESS	FUEL FILTER COVER	PIPETA TUBO GASOLINA
<b>12</b>	R380	R380	VIS PIPETTE CARBU	SCREW	TORNILLO PIPETA
<b>13</b>	R381	R381	BALANCIER DE FLOTEUR CARBU	FLOAT BOWL LEVER	BALANCÍN
<b>14</b>	R382	R382	AXE BALANCIER FLOTEUR CARBU	SHAFT	EJE BALANCÍN
<b>15</b>	R383	R383	CUVE CARBURATEUR	FLOAT	CUBA CARBURADOR
<b>16</b>	R384	R384	VIS FIXATION CUVE	SCREW	TORNILLO FIJACIÓN CUBA
<b>17</b>	R385	R385	KIT JOINT CARBURATEUR	GASKET SET	KIT JUNTAS
<b>18</b>	R147	R147	GROUPE STARTER	COLD STARTER ASSEMBLY	LEVA STARTER
<b>19</b>	----	R140	GICLEUR RALENTI 30 SERIE 2.5/2.9	PILOT JET 30 SERIE 2.5/2.9	PULVERIZADOR RALENTI 30 SERIE 2,5/2,9
<b>19</b>	R142	R142	GICLEUR RALENTI 32	PILOT JET 32	PULVERIZADOR RALENTÍ 32
<b>19</b>	R143	R143	GICLEUR RALENTI 33	PILOT JET 33	PULVERIZADOR RALENTÍ 33
<b>19</b>	R144	R144	GICLEUR RALENTI 34	PILOT JET 34	PULVERIZADOR RALENTÍ 34
<b>19</b>	R145	R145	GICLEUR RALENTI 35	PILOT JET 35	PULVERIZADOR RALENTÍ 35
<b>19</b>	R146	R146	GICLEUR RALENTI 36	PILOT JET 36	PULVERIZADOR RALENTÍ 36
<b>19</b>	R148	----	GICLEUR RALENTI 40 SERIE 1.2	PILOT JET 40 SERIE 1.2	PULVERIZADOR RALENTI 40 SERIE 1.2
<b>20</b>	M044	M044	RESSORT CARBURATEUR	SPRING CARBURETOR	MUELLE CARBURADOR
<b>21</b>	2389	2389	POINTEAU CARBU 200	POINTEAU CARBU 200	VÁLVULA AGUJA 200
<b>22</b>	R237	R237	GUIDE CARBURATEUR	CARBURETOR GUIDE	CURVA GUÍA CARBURADOR
<b>23</b>	R120	R120	GICLEUR PRINCIPAL 120	MAIN JET 120	PULVERIZADOR PRINCIPAL 120
<b>23</b>	R121	R121	GICLEUR PRINCIPAL 121	MAIN JET 121	PULVERIZADOR PRINCIPAL 121
<b>23</b>	----	R122	GICLEUR PRINCIPAL 122 SERIE 2.5/2.9	MAIN JET 122 SERIE 2.5/2.9	PULVERIZADOR PRINCIPAL SERIE 2,5/2,9
<b>23</b>	R123	R123	GICLEUR PRINCIPAL 123	MAIN JET 123	PULVERIZADOR PRINCIPAL 123





TRIAL  
SR 125 2T  
SR 280 2T

