

**Actual Size:** 26" x 52" x 40" • (66.04cm x 132.08cm x 101.6cm)

**Shipping Size:** 29" x 60" x 50" • (73.66cm x 152.4cm x 127cm)

**Net Weight:** 205lbs • (92.98kg)

**Shipping Weight:** 300lbs • (136.07kg)

**Seat Width:** 19" • (48.26cm)

**Unoccupied Water Capacity:** 75gal • (283.9L)

**Occupied Water Capacity:** 35-55gal • (132.48 - 308.19L)

## Included Features (Soaking)

1. Acrylic shell gloss white finish fiberglass gelcoat reinforced
2. Stainless steel frame with adjustable leveling legs
3. Plastic composite and tempered glass outward swing door with 3 latch gear & shaft mechanism
4. Removable front apron with two access panels
5. One reversible end panel & extension panel 5"
6. Stainless steel chrome finish deck and wall-mounted grab bar
7. Two 2" 4-port PVC drains with 2 end caps included, 2 overflows, 2 stainless steel operated openers with extended handles in chrome finish

## Jetting & Therapy Options

1. Air + Hydro (LED Chromotherapy Light Included)
2. Hydro + Hydro Independent Foot Massage (LED Chromotherapy Light Included) \* (2)
3. Hydro Massage + Microbubble (LED Chromotherapy Light Included)
4. Hydro Massage (LED Chromotherapy Light Not Included)
5. Soaking



## Jetting & Therapy Systems

### Hydro Massage

- Hydro Massage Pump 7A
- Intensity Dial Air Control
- Ozone Sterilization 0.04A
- 13 jets (7 Seat Jets 6 Foot Jets)
- On/Off Push Control
- In-line Water Heater 6A 650W

### Hydro + Hydro Foot Massage \*(2)

- 2 Hydro Massage Pumps 5A + 7A
- 2 Intensity Dial Air Controls
- Ozone Sterilization 0.04A
- 13 jets (7 Seat Jets 6 Foot Jets)
- On/Off Push Control
- In-Line Water Heater 6A 650W

### Air Massage

- Air Massage Pump 4.5A 500W
- 3 Speed Pump
- Auto-purge (Activates 20 minutes after pump shutdown)
- 17 jets (11 Seat Jets 6 Foot Jets)
- On/Off push control

### Microbubble Therapy

- 1 HP Pump 7.3A
- Pressure Vessel
- On/Off push control
- Agitator Valve

### Optional Features

1. Heated Seat and Backrest
2. Digital Controller

**Note:** LED Chromotherapy light 0.5A with On/Off push control is included with the following dual packages: Hydro + Air, Hydro + Micro, Hydro + Hydro

**Disclaimer\*:** AMP value for each pump may change based on availability. Please verify before purchase. (800.480.6850)

### Electrical Requirements

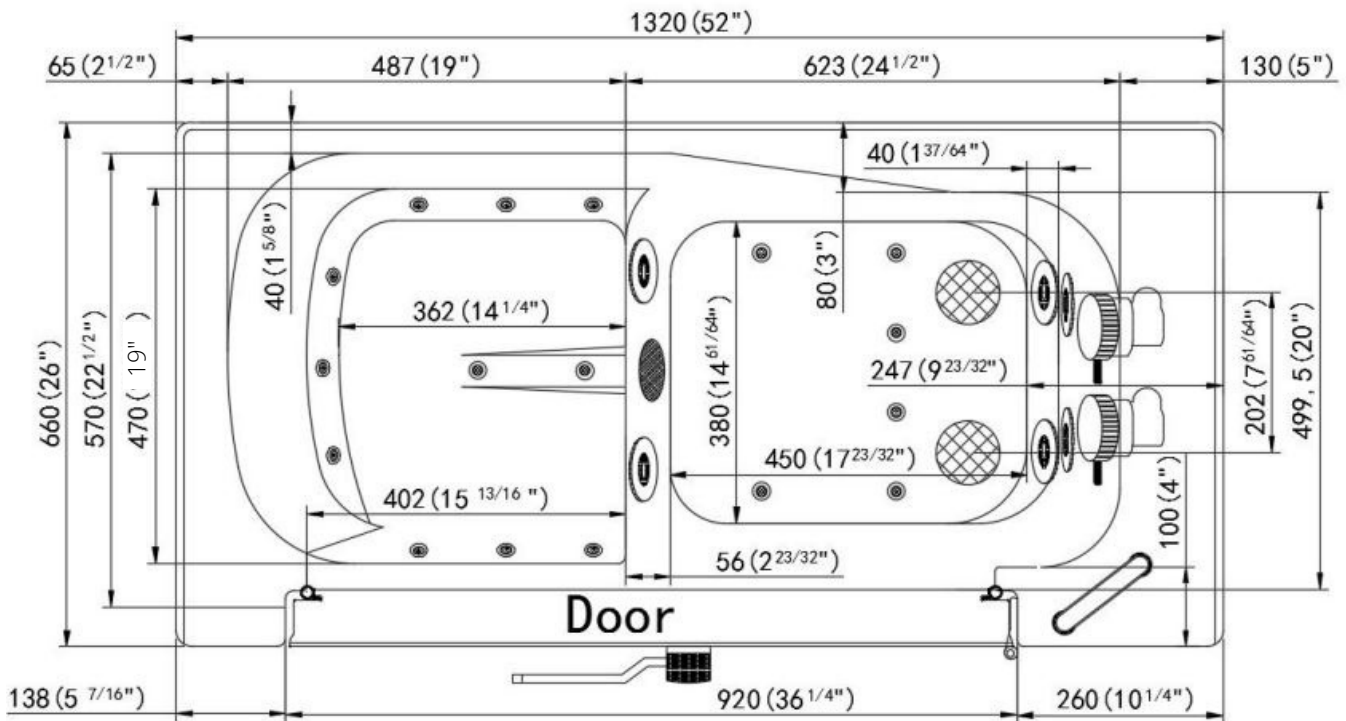
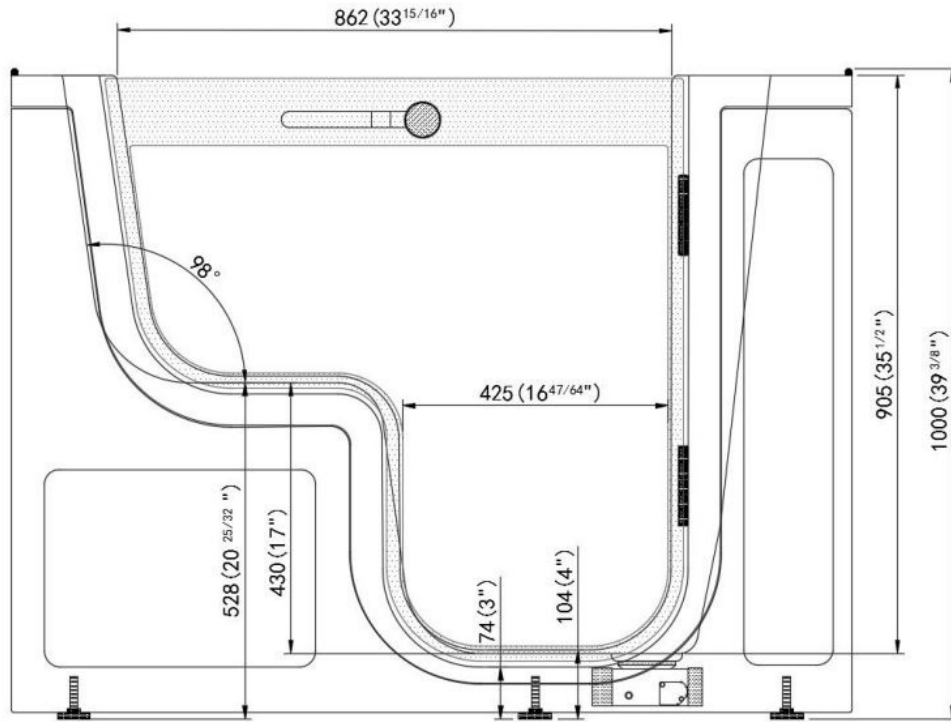
Dedicated GFCI protected electrical line(s) required 115/120V 60Hz

### 2 Piece Faucet

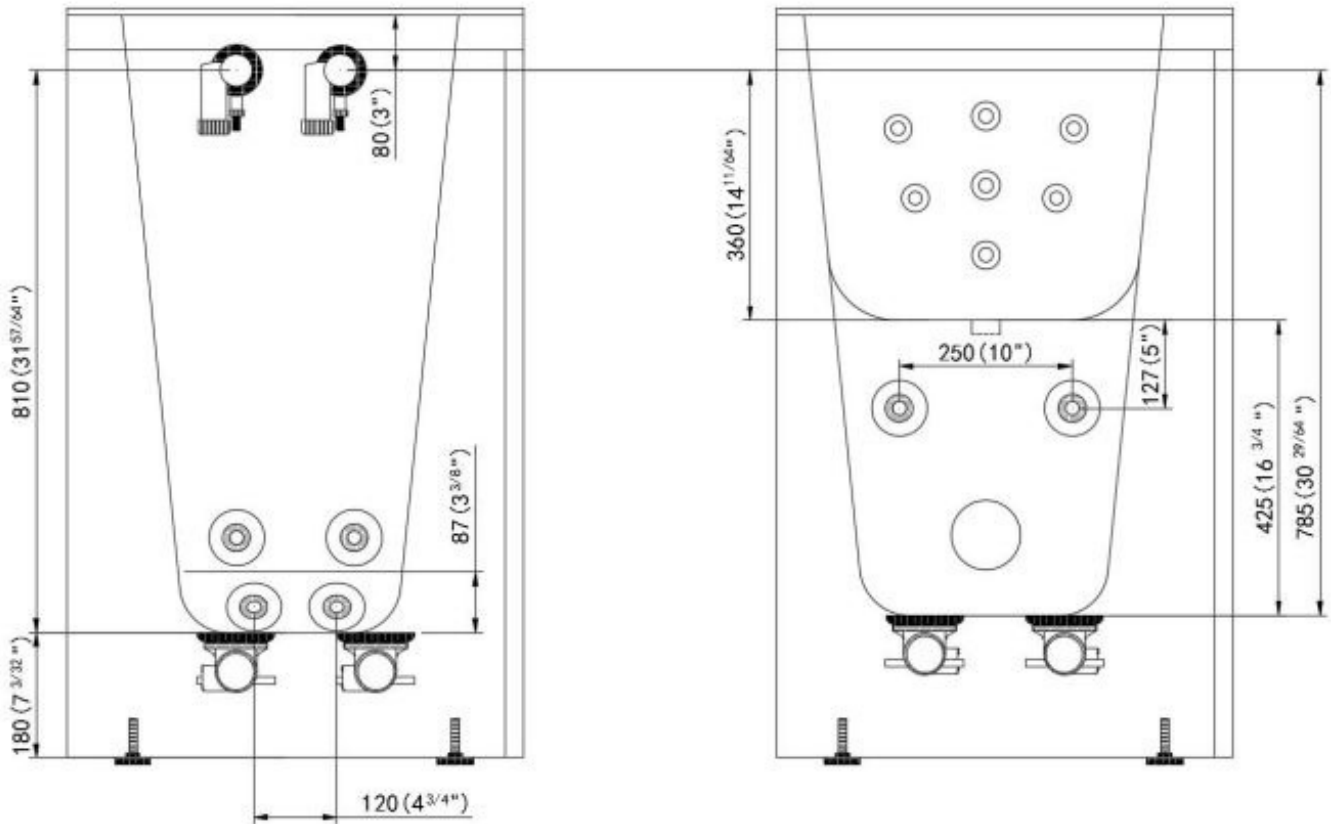
- Up to 16GPM @ 60PSI (at ideal in-home plumbing conditions)
- Two 5' Water Supply Lines 3/4"
- Pull out Hand Shower in Chrome Finish with a 5' Retractable Stainless Steel Braided Hose

### Warranty

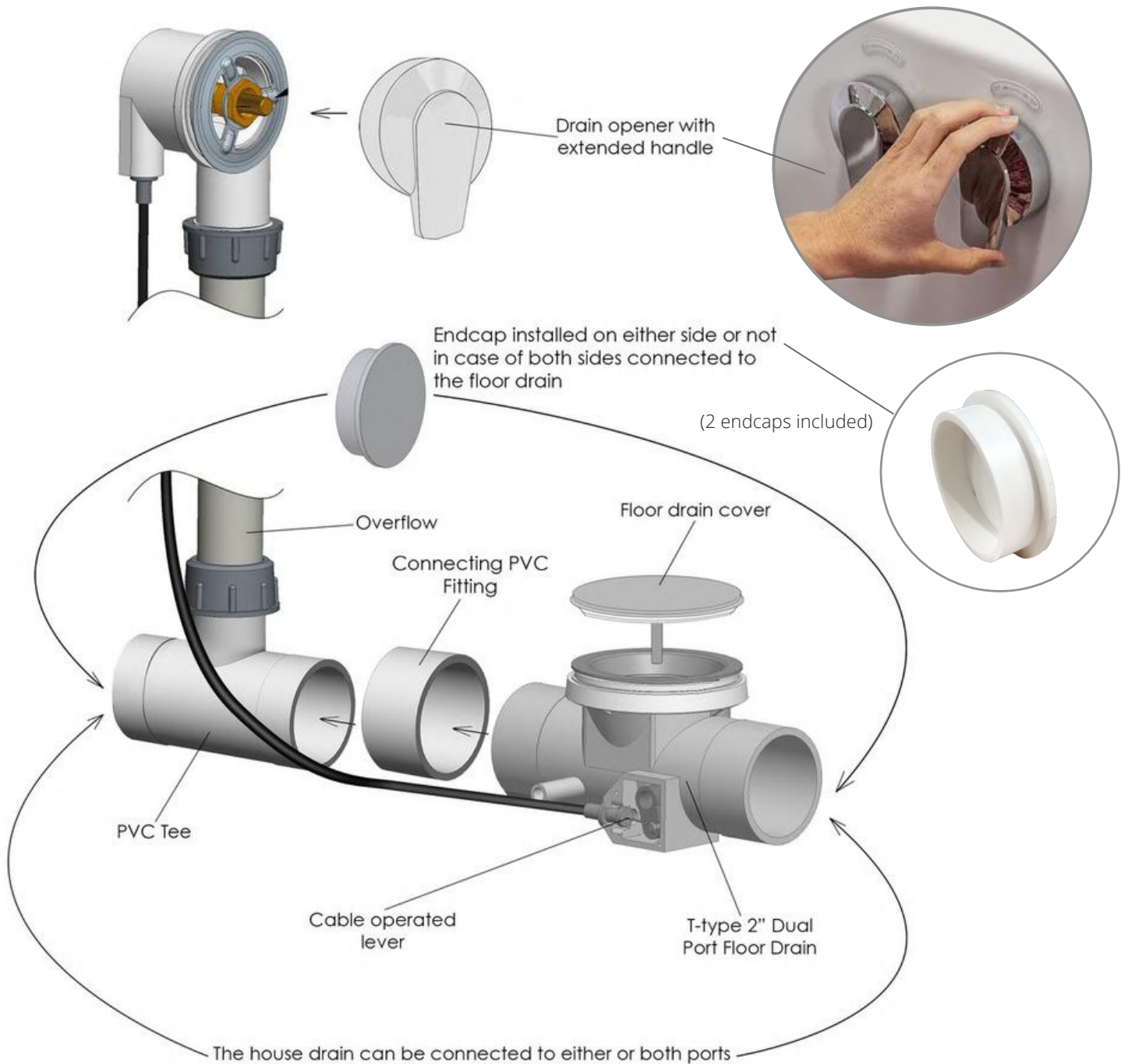
- Lifetime limited\* warranty on shell, frame, door, and parts to original purchaser/Address
- Labor or installation is not covered - please refer to the Ella warranty certificate
- Non Ella brand faucets covered under manufacturers original warranty



# Transfer26 Acrylic Wheelchair Accessible Outward Swing Door Walk-In Bathtub Specifications



## Dual Drain Technology - Two 2 Inch Independent Floor Drains

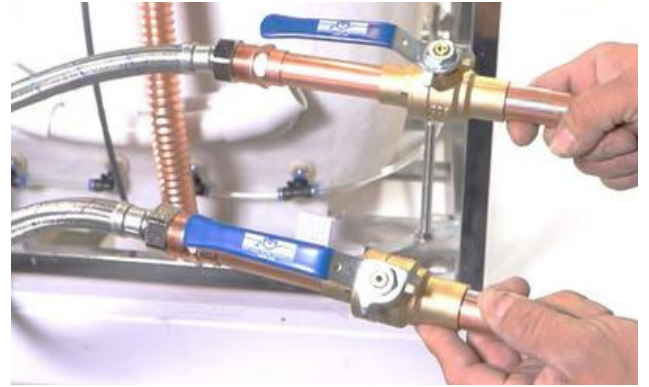




Two 3/4" connector water supply lines included with Ella Fast Fill Faucets



Connect to Shut Off Valves (not included)



All electrical fixtures connect to a dedicated GFCI protected outlet.



Drain Cap

Use a drain cap to close unused drain port.



T-Type four (4) 2" drain ports allow for the drain pipe to be installed in either direction.

Images below show examples of PVC pipe connections (not included). Reducers can be used to connect smaller drain pipes.



**Description**

Solid brass spout in a chrome finish with a 5-setting pull out hand shower mixer including a 5' braided hose. Two 3/4" 5' braided stainless-steel supply lines are included along with Cold/Hot levers with a diverter for the hand mixer.

**Flow**

- Hand shower is limited to 1.9 GPM (7.5L/min)
- Faucet fill rate designed for 18 GPM (68.1L/min)

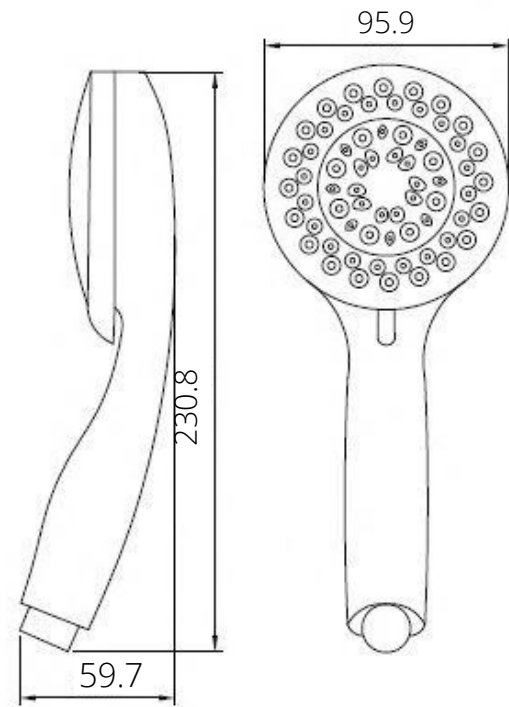
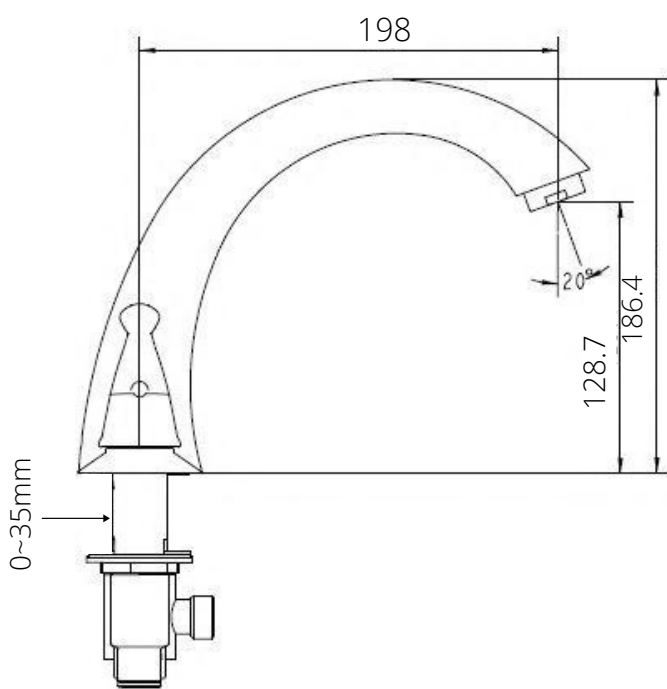
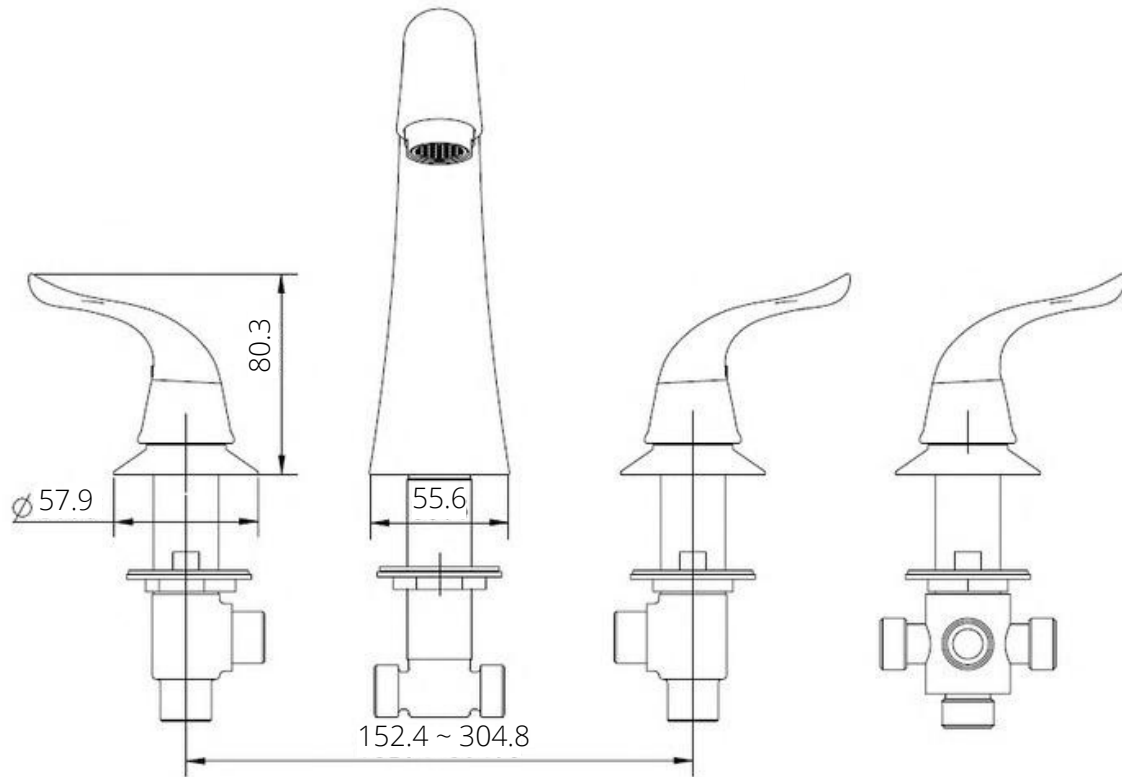
**Cartridge**

- 40mm high flow cartridge design
- Non metallic/non ferrous and stainless-steel material



## Ella 5 Piece Fast-Fill Faucet Contents





## Description

Solid brass spout chrome finish single lever high flow bathtub faucet with diverter button Two (2) 3/4" 5' braided stainless-steel supply lines Pull out hand shower mixer with 5 settings and 5' braided hose in a Chrome or Brushed Nickel finish.

## Flow

- Hand shower is limited to 1.9 GPM (7.5L/min)
- Faucet fill rate designed for 16 GPM (68.1L/min)

## Cartridge

- 40mm high flow cartridge design
- Nonmetallic/nonferrous and stainless-steel material

## Standards

- Third party certified to meet: CSA B125.1, ASMEA112.18.1, ICC117.1 and all applicable requirements referenced therein
- Certified to ANSI/NSF 61/9
- ADA for lever/handle
- IAPMO R&T UPC certified



NOTE: This faucet is designed to be installed through:  
2-1/2" diameter hole for faucet, 1/3" diameter hole for mounting rods, and a 7/8" diagonal hole for the hand shower.

