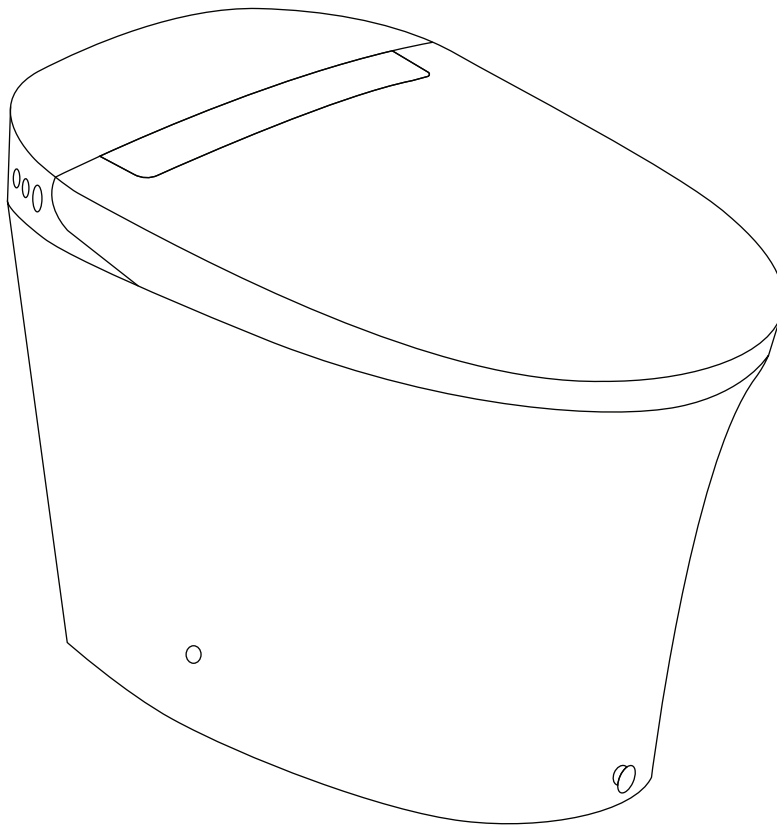


Touchless Tankless Toilet INSTALLATION INSTRUCTIONS

Swiss Madison®
well made forever



TOUCHLESS
technology

@SwissMadison
#WellMadeForever





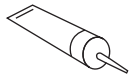
PRIOR TO INSTALLATION:

- Inspect toilet to ensure no damages have occurred while in shipping.
- Observe all plumbing and building codes in accordance with your state and local requirements.
- All dimensions are nominal! Be sure to measure your toilet prior to installation.
- The step-by-step guidelines in the installation instructions are a general reference. Should there be any discrepancies, Swiss Madison cannot be held liable. It is recommended to install all Swiss Madison products by hiring a licensed professional.
- Read installation and maintenance instructions thoroughly before installing. Be sure to use proper tools and always wear proper personal safety accessories for your protection.
- Two people are recommended to handle and install this product as it is fragile.

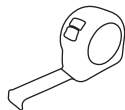
SUGGESTED TOOLS & MATERIALS:



Safety Glasses



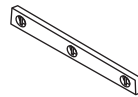
Sealant



Tape Measure



Wrench



Level

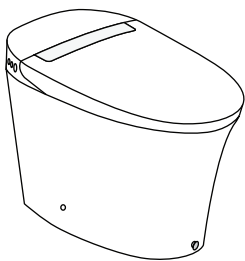


Bucket

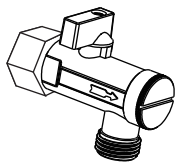


Drill

INCLUDED PARTS:



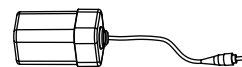
Tankless Toilet



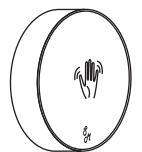
Angle Valve



Sealing Flange



Battery Box



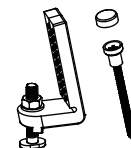
Wall Sensor



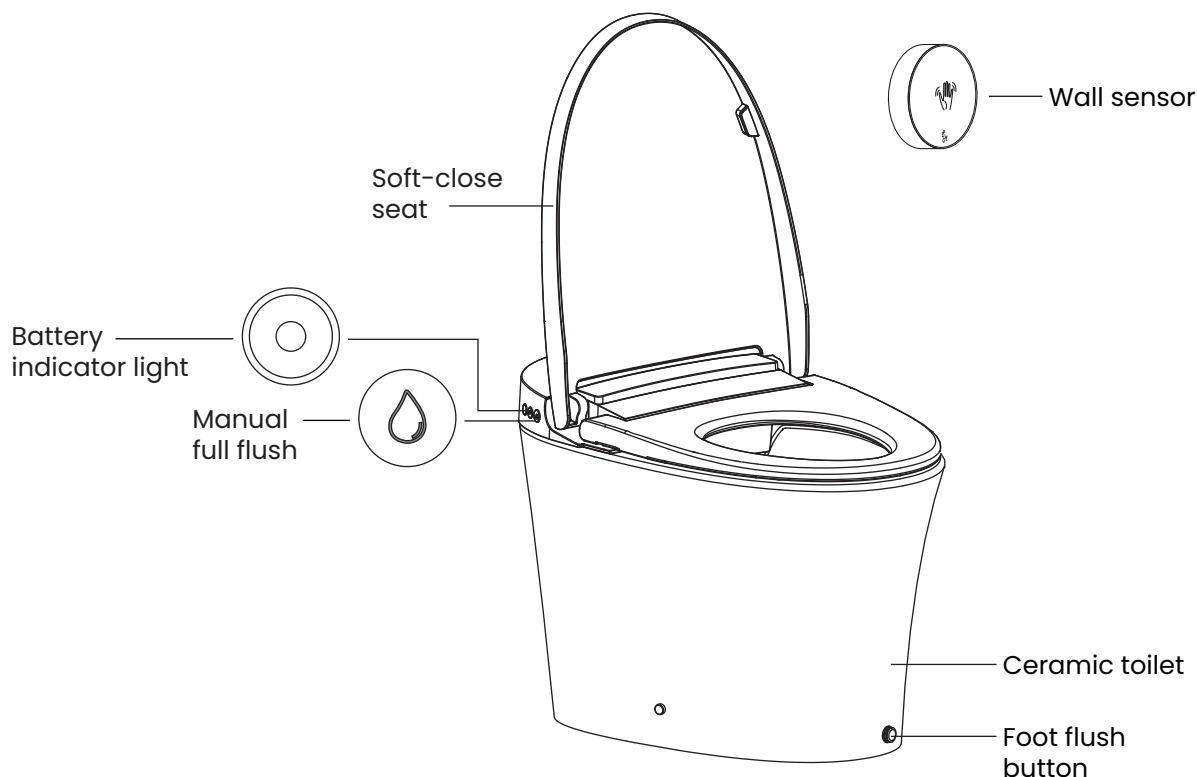
Braided Hose



Flange



Floor Anchor Kit

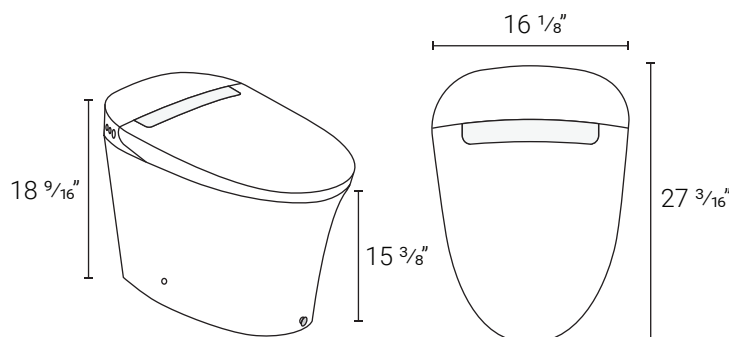


PRODUCT FEATURES:

- **Automatic Flushing:** Toilet will automatically flush as you walk away from the bowl. In the off-seat auto flushing mode, if a user is seated between six seconds and one minute and leaves the seat for more than three seconds the toilet will activate a half flush. If a user is seated for more than one minute, and leaves the seat for more than three seconds the toilet will activate a full flush.
- **Side Manual Flush:** Press the "FLUSH" button on the side of the toilet for a full flush.
- **Foot-Touch Flushing:** Kick the foot-touch button to flush.
- **Wave-to-Flush Function:** Wave in front of wall sensor from a 1" distance to flush.
- **Soft-Close Seat.**
- **Low Battery Indication:** If the battery is low, when pressing the flush button, the indicator light will flash indicating batteries need to be replaced.

SPECIFICATION PARAMETERS:

- Rated Voltage: DC:6V
- Rated Power: 2.1W
- IP Rating: IPX4
- Flush Volume: Full flush 1.6 GPF / Half flush 1.1 GPF
- Flush Type: Vortex™
- Waste Outlet: S-trap 12"
- Outer Outlet Diameter: 3.5"
- Water Pressure Range: 0.09MPa (dynamic water pressure, flow rate 4 gal/min or more) - 0.8MPa (static water pressure)

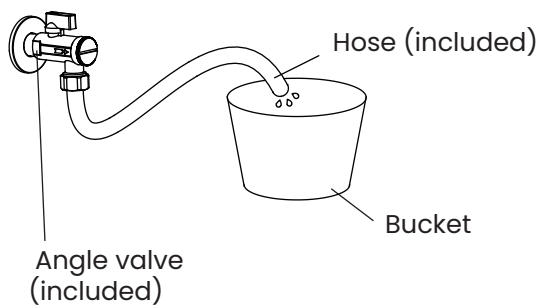


TOILET INSTALLATION:

1. Check Pressure

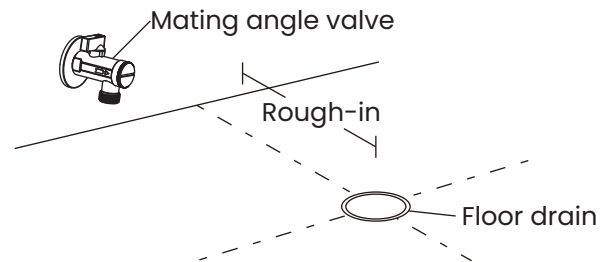
- The minimum dynamic working water pressure is 0.09MPa or more (4 gal/min or more), failure to meet this pressure will not achieve the best flushing effect.

If you do not have a water pressure testing device, open the angle valve and connect water inlet for 10s, once the water volume is above 0.66 gal, the minimum water pressure of the product is ensured.



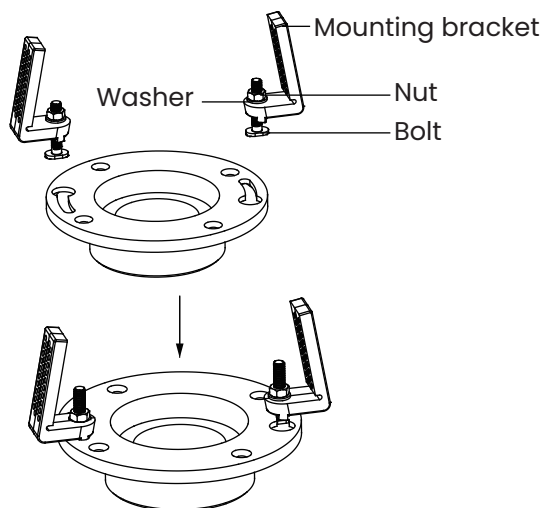
2. Rough-In & Install Angle Valve

- Measure the wall from behind the toilet to the middle of the floor drain. Your rough-in measurement should be 12".
- Install angle valve at proper position on the wall according to toilet inlet placement.



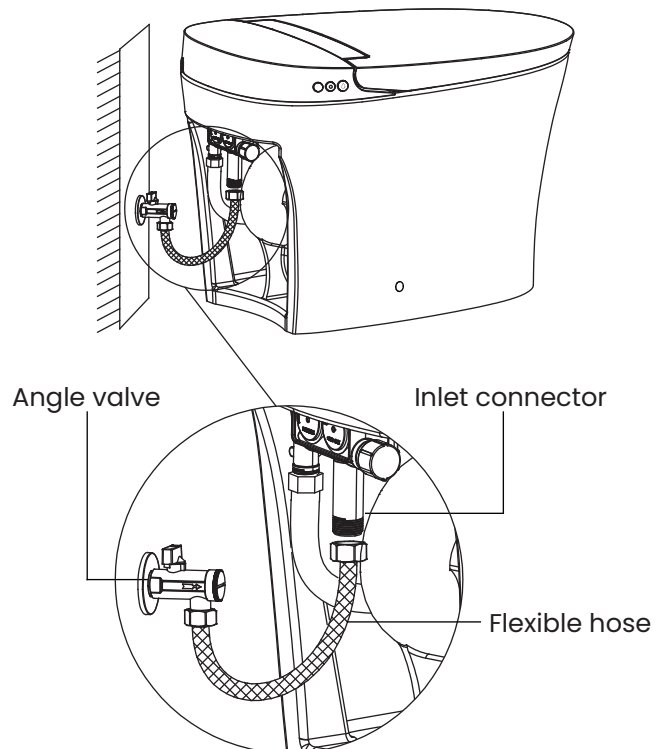
3. Install Mounting Bracket

- Assemble the mounting bracket with bolts and then install them to the pre-installed flange plate on the ground and lock tight with nuts.



4. Connect to Water Supply

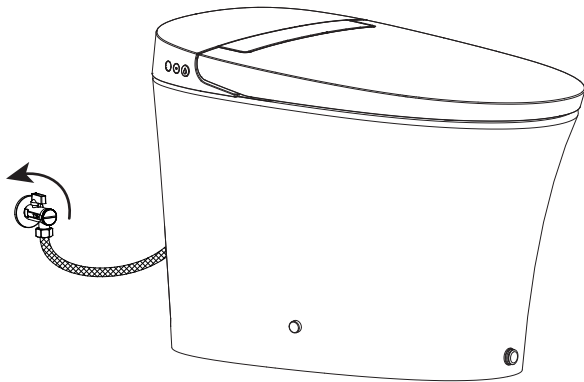
- Connect the water inlet and angle valve of the toilet with the matching hose and tighten it.



5. Turn on Angle Valve

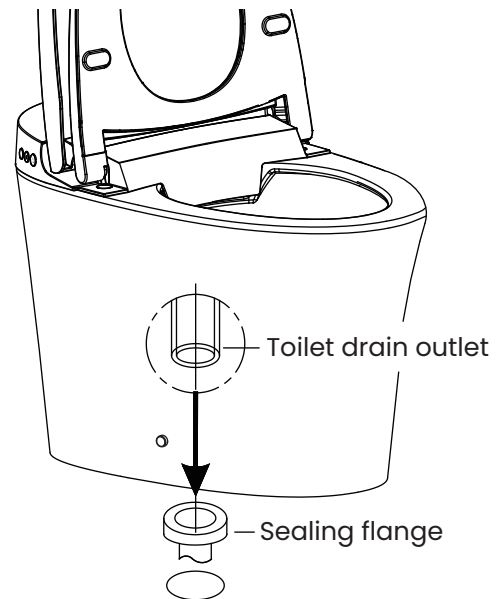
- Check thread connection and check for leaks. Unscrew angle valve counterclockwise to open all the way.

NOTE: When opening for the first time, the angle valve handle has a larger torque.



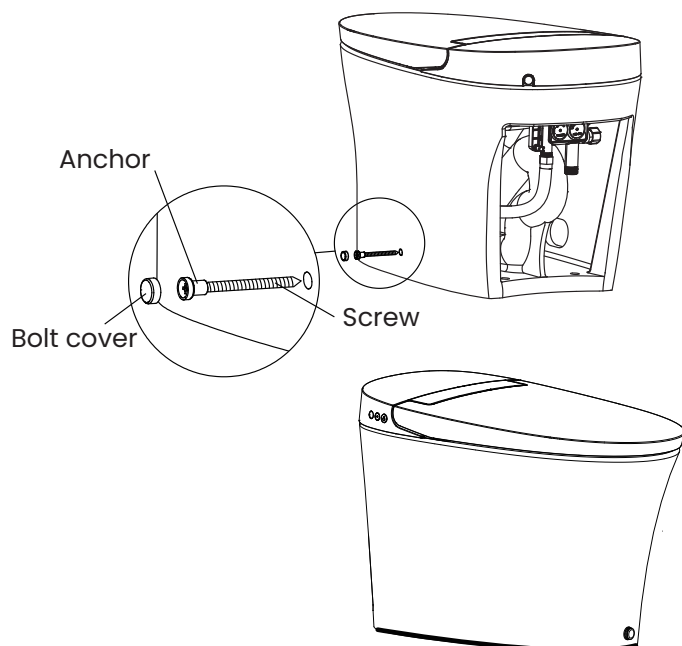
6. Install Toilet

- Install toilet by putting sealing flange into drain outlet.



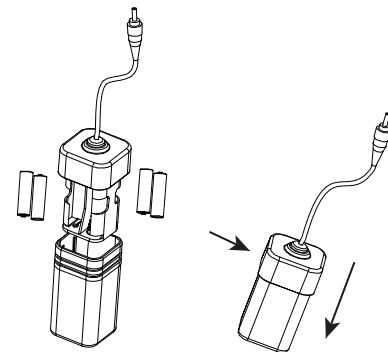
7. Secure Toilet

- Put the screw through the anchor and then install it through the holes on both sides of the toilet to the mounting bracket and tighten.
- Cover installation bolts with bolt covers.
- Apply a thin bead of sealant around toilet base.



8. Install Battery

- Take out the battery box from the accessory kit and install four "AA" batteries. Plug the DC plug of battery box into the DC socket of toilet and then stick the battery box into the bottom of the toilet.
- When re-installing the cover of battery box, use your fingers to squeeze the side of rubber plug to exhaust air out of the box and ensure sealing.
- Red indicator light will flash when batteries are installed.

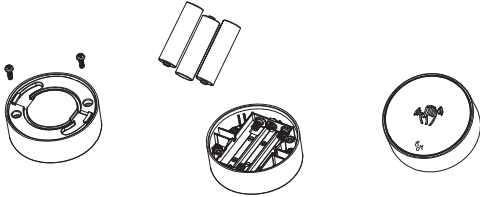


WALL SENSOR INSTALLATION:

1. Install Batteries

- Put three "AAA" batteries into the sensor and tighten the screws.
- The batteries should be installed within three minutes after batteries are installed to the toilet. The codes will be automatically matched between the modules.

NOTE: Batteries not included.



2. Install Sensor Mount

- The installation method depends on the wall it is being installed on. Determine appropriate installation method and follow the instructions below.

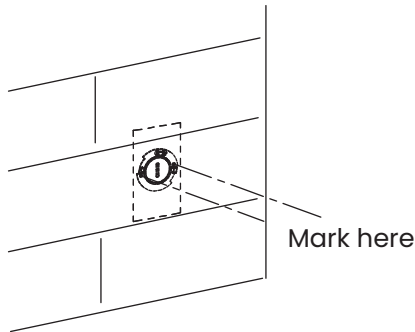
Method A: Screw fixing - suitable for installation on rough walls.

Method B: Adhesive fixing - suitable for installation on tiles and other smooth walls.

Method A: Screw Fixing

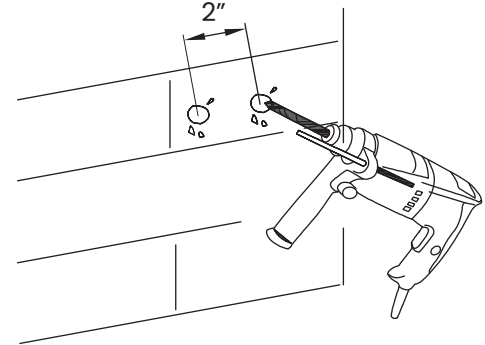
2a. Mark Position

- Put the sensor wall mount on the wall where you want to install it and mark the position on the wall with a pen.



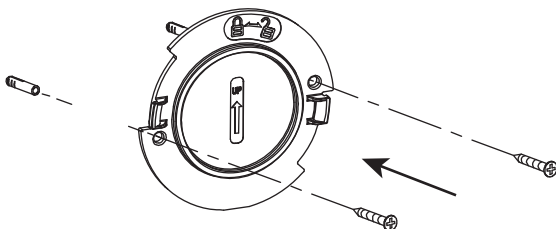
2b. Drill Holes

- Drill two horizontal holes, 0.24" in diameter, on the marked position. The distance between the two holes is about 2" and the depth is 1.18".



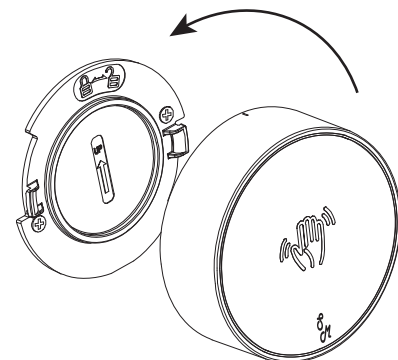
2c. Mark Position

- Put the expansion bolts into the holes on the wall.
- Place the sensor holder against the wall and align the holes with the expansion bolts, then tighten screws to lock it in place.



2d. Lock in Place

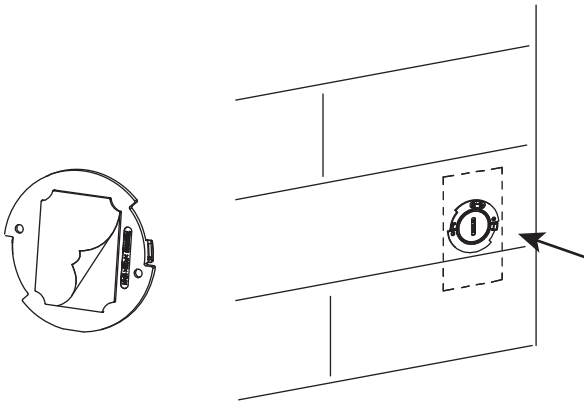
- Align the sensor slot with the sensor holder, and rotate counterclockwise to lock in place.



Method B: Adhesive Fixing

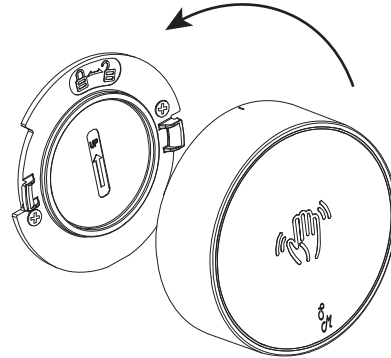
2a. Adhere Holder to Wall

- Clean and dry the decided installation area of the sensor to optimize adhesion.
- Peel off the double-sided adhesive sticker on the back of the sensor holder and stick it vertically on the wall.



2b. Lock in Place

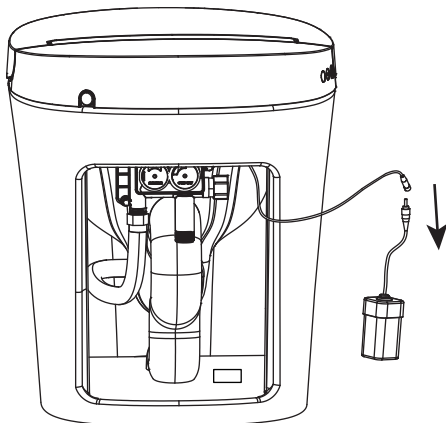
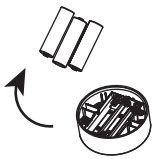
- Align the sensor slot with the sensor holder, and rotate counterclockwise to lock in place.



3. Match Module Codes

3a. Remove Batteries

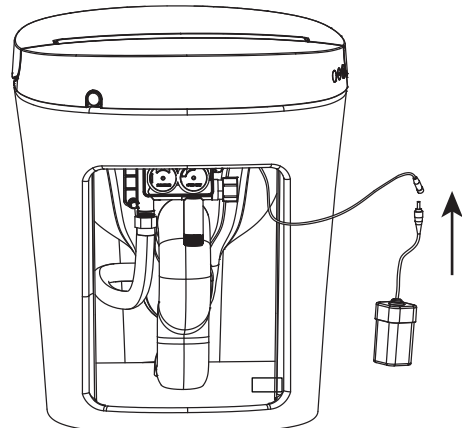
- Remove the batteries from both the battery box and the wall sensor.
- Wait for one minute.



3b. Install Batteries

- First connect the battery box (with batteries installed) to the toilet.
- Install the wall sensor batteries within three minutes after installing the toilet batteries.
- After installation try and flush with the wall sensor to verify the codes are matched and activate sensor flushing.

NOTE: If the sensor module lights up after installation, but the product is not flushing, please reset the batteries and rematch codes.



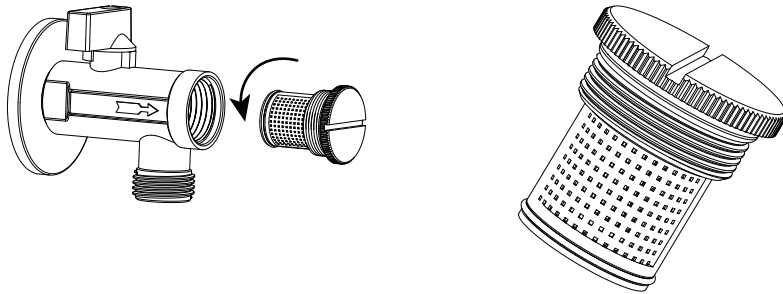
MAINTENANCE & USAGE

1. Daily Usage Caution

- Use only a soft, damp cloth to clean the toilet. Avoid using harsh chemicals.
- Off-seat flushing may activate during cleaning.

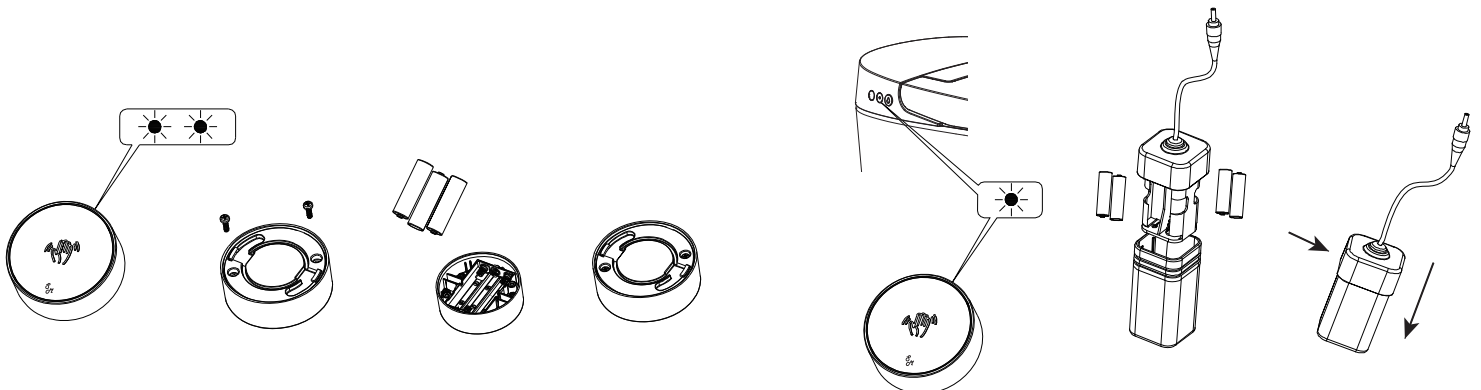
2. Cleaning Filter

- The filter should be cleaned if the water pressure is normal, but the toilet is not flushing normally.
- Disconnect the battery and turn off water supply at the angle valve.
- Unscrew angle valve nut and remove.
- Remove filter net and use a brush to clean.
- Re-install filter and angle valve nut, turn on the angle valve and connect power.



3. Low Battery Determination & Replacement

- During the use of the product, if when you wave over the wall sensor, the indicator light quickly flashes 5 times, the wall sensor battery is low and needs to be replaced.
- Unscrew the screws on the back and remove back cover from the wall sensor. Replace batteries and tighten the screws again.
- Batteries must be new "AAA" batteries.
- During the use of the product, when the battery indicator light on the side of the toilet is red, and/or the wall sensor slowly flashes 12 times, the battery box battery is low and needs to be replaced.
- Unplug the DC plug of the battery box and remove the battery box from the bottom of the toilet.
- Remove battery box cover and replace old batteries with new batteries, then re-install the cover.
- Insert the DC plug of battery box into the DC socket of toilet and then stick the battery box into the bottom of the toilet.



TROUBLESHOOTING

1. How to flush without water supply:

- Put around 2.1 gal of water into a bucket and pour into bowl to flush.

2. What to do when not in use for a long period of time (over three days):

- Unplug and remove the battery box and all batteries.
- Drain out water by flushing the toilet after turning off the angle valve to prevent water from entering.
- Drain out water inside pipe by unscrewing the hose from the angle valve, draining, then re-installing.
- It is suggested to put antifreeze inside the bowl to prevent any remaining water from freezing.
- When ready to use again, reconnect water supply and re-install the batteries.

WARNINGS

- Do not throw cigarettes or other burning things into the toilet
- Do not use other battery devices other than the one provided.
- If the electric cord of the battery box is damaged, it must be replaced by a specialist to avoid malfunction.
- This product is an electric appliance, avoid direct contact with water or other liquids.
- Do not position the product on its side or upside down while making electrical connections with the battery box, this may cause fire or burning.
- Do not install or use this product in wet or damp locations such as a steam room.
- When moving the product from a cold or humid environment to room temperature, please wait two hours until the condensed water is completely volatilized to prevent electrical short-circuiting.
- Do not place or store product where it can fall or be pulled into a tub or sink.
- Do not reach for an item that has fallen into the water. Unplug the battery box immediately.
- Heavy impact on ceramic leads to damage and water leakage.
- Never embed toilet base into cement, mortar or similar substances, this can lead to expansion cracking.
- Do not stand on seat, bowl or toilet lid.
- Do not use varnish thinners, gasoline, liquid chemicals, detergents, insecticides, toilet cleaners or scrubbing brushes, it may damage the product.
- Only use tap water or potable water to prevent chafing.
- Exposure to direct sunlight is not recommended.
- This product is equipped with a soft-close seat. Heavy pressing may damage the soft-close hinges.
- Do not lean against the toilet seat lid to avoid damage.
- Do not try flushing diapers, sanitary napkins or other unintended items to prevent clogging.
- If this product is malfunctioning, stop using immediately, unplug the battery box, turn off water supply, and contact Swiss Madison customer service.
- Before installation, disassembly, repair or maintenance, unplug the power and turn off water supply.
- Do not use in an environment below 32°F.
- When using electrical products, especially when children are present, basic safety precautions should always be followed.
- This product is not intended for children without adult supervision.
- This product is not intended for individuals with reduced physical, sensory, or mental capabilities.
- To prevent damage cause by freezing, please take measures to increase the temperature of the toilet.



ONE YEAR LIMITED WARRANTY

Swiss Madison® products are made with quality materials and excellent craftsmanship to provide our customers with beautiful, durable, long-lasting products. Should there be any defects in materials or craftsmanship under regular use that are discovered within the first year of installation, Swiss Madison® will provide replacement parts at no charge, or at its discretion, replace any product or part of the product that is deemed defective, under normal installation, use, service or maintenance. This warranty applies only to the original purchaser. Proof of purchase will be required in the instance of a claim.

Swiss Madison® recommends all installations of Swiss Madison® products to be conducted by a licensed, professional plumber or contractor. Swiss Madison® will not be held responsible for any damage or product failure due to improper installation, misuse, or failure to utilize a licensed professional for installation. Swiss Madison® is not responsible for any installation or removal costs.


This One Year Limited Warranty Will Be Voided If:

- The installation recommendations were not followed by the installer
- The product has been moved from its initial place of installation
- The product has in any way been modified from its packaged state
- The product has been subjected to improper maintenance, abuse, misuse, excessive use of chemicals, accidents, or other damages, etc.

Swiss Madison® makes no implication that its products comply with any local building or plumbing codes. It is the consumer's responsibility and obligation to determine local code compliance prior to and during installation. This warranty extends only to the original purchaser and first consumer.

Swiss Madison® is not responsible for any special, incidental or consequential damages associated with the installation, replacement, return or use of the original purchaser's product. This includes, but is not limited to: freight costs, labor, travel time, lost profit, home damages and other contingent liabilities and costs (including, without limitation, costs associated with 'professionals' or 'experts', investigations, audits, analyses, attorneys and any other professional/hired services).

The Swiss Madison® warranty is a comprehensive and explicit limit of liability. All items not disclosed within the warranty are not addressable within the responsibility of Swiss Madison®. Certain states have variances regarding implied warranties; in those situations, we remain fully compliant.

 **WARNING:** Contents of your order may contain sharp and possibly other harmful pieces and may cause hazard to children and adults. Swiss Madison® is not responsible in any way for personal damages.