

CARE AND MAINTENANCE:

- Clean regularly with normal detergent and warm water.
- Always make a habit of drying your sink after use and buffing with a soft cloth. This will ensure that no build up of lime scale or other mineral deposits can occur.
- Clean the sink once a week using a non-abrasive cleanser such as dish-soap and a clean soft sponge. Rinse off with water and wipe dry.
- Never let soap or other household cleaners to dry on the surface of the sink. Most products contain additives which will affect the finish of the sink.
- Never use bleach solutions on the sink, as it is harmful to stainless steel. If left on the sink too long it can cause surface pitting.
- Never use a steel wool pad to clean your sink. Doing so may damage the sink's surface and cause discoloration.
- The sink surface is hard and resistant to scratches, but some scratches may appear over time from normal use. These can be removed by polishing with a mild abrasive pad such as 3M Maroon or Green pad or a low-grit (220 grit or lower) sandpaper.
- For stubborn hard water stains, you can use a straight or 50% vinegar solution. Let the solution sit on the sink for one hour, then scrub thoroughly with a 3M scotch-brite pad and rinse well.

RUVATI LIMITED LIFETIME WARRANTY

This product has been manufactured and inspected to the highest possible quality standards. Ruvati sinks carry a limited lifetime warranty for residential use.

Should you experience any defects in materials or workmanship within the warranty period, we will repair or replace the defective product, subject to the following conditions:

- Any claim made under this warranty must include a copy of a valid proof of purchase showing the date and place of purchase.
- Our obligation under this warranty is to the original purchaser only, and may not be transferred.
- Product replacement does not include shipping costs or labor installation costs.
- This warranty applies to residential installations only.
- Ruvati reserves the right to examine product in question and its installation prior to replacement.
- If an identical replacement product is not available, Ruvati reserves the right to replace the defective product with a similar product.

NOTE: Accessories such as rinse grids, cutting boards, strainers are not covered by this warranty.

This warranty relates to defects in manufacture, materials or workmanship in a Ruvati stainless steel

kitchen sink supplied for installation into domestic premises in the United States. It does not extend to :

- Damage resulting from failure to maintain the product in accordance with the Care and Maintenance instructions in this manual.
- Normal wear and tear, scratches or accidental damage.
- Faults arising from improper use and/or installation.
- Defects in accessories, strainers and rinse grids.

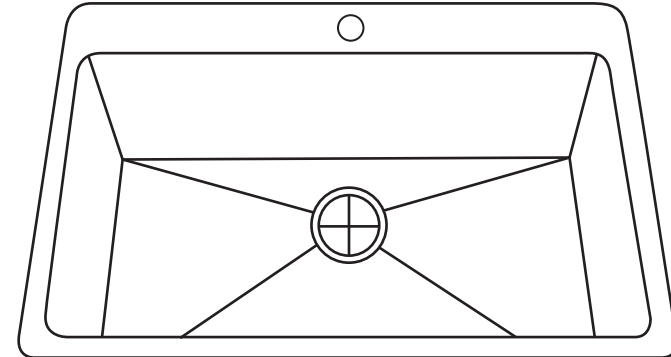
All incidental or consequential damages are specifically excluded. No additional warranties, express or implied are given, including but not limited to, any implied warranty of merchantability or fitness for a particular purpose.

Some states do not allow the exclusion or limitation of incidental or consequential damages or limitations on how long an implied warranty lasts, so the above limitations or exclusions may not apply to you. This warranty gives you specific legal rights, and you may also have other rights which vary from state to state.

RUVATI®

INSTALLATION GUIDE

TOPMOUNT GRANITE COMPOSITE SINK

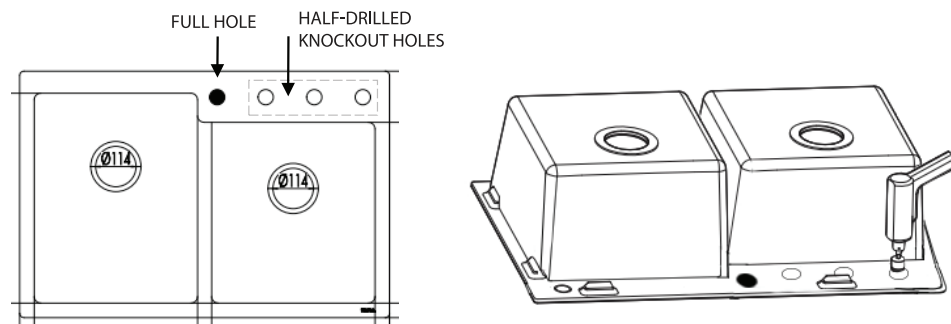


RVG1016, RVG1022, RVG1023, RVG1030, RVG1033,
RVG1080, RVG1302, RVG1319, RVG1344, RVG1345,
RVG1350, RVG1385, RVG1388, RVG1396

Register your product at: www.ruvati.com/register

Additional Faucet Holes:

The sink comes pre-drilled with 1 full hole for faucet installation as well as 3 additional half-drilled holes. If you need additional holes for either a 2- or 3- hole faucet, or for installing soap dispenser or air switch, you can open up any of these additional holes as well. We recommend using a 1-3/8" (35mm) diamond bit hole saw to drill through the half-drilled holes. In that way you get a clean cut. Turn the sink upside-down and gently drill through the hole. The half-way drilled hole makes it easy to place the drill bit and drill securely.



Make sure the hooked side of the mounting clip is facing away from the sink (Figure 3).

- Before installing the sink, place a bead of plumber's putty along the edge of the drain opening inside the sink and press the strainer body in place. Turn the sink upside down and tighten the strainer locknut with a wrench. While tightening, hold the strainer steady with pliers to keep it from turning. Wipe away any excess plumber's putty.

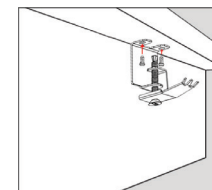


Figure 3

- Fit the gasket on the sink drain pipe (tailpiece) and attach it to the strainer bottom with a slip nut. Tighten this nut by hand. For most threaded connections, apply a sealant such as plumber's putty, silicone tape or "pipe dope" to the threads to ensure a watertight connection.

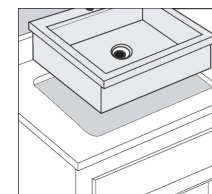


Figure 4

- Attach the drain pipe assembly that comes with your sink.

- Apply a "rope of plumber's putty or caulk around the perimeter of the underside of the sink. Flip the sink over and carefully place it into the countertop opening, with all of the drains and attachments secured. Press down firmly to seat the sink against the countertop (Figure 4).

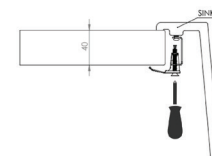


Figure 5

- Position the bottom of the mounting clip so that it is gripping the countertop. Use a screwdriver to tighten the screw until the mounting clip is snug against the countertop (Figure 5).

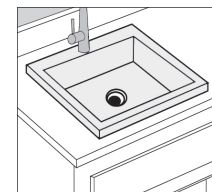


Figure 6

- After the sink is positioned and securely in place, place the plumber's putty around the underside of the faucet body or its mounting plate and install it into the sink (Figure 6).

- Attach all plumbing connections to the house drain line and water supply tubing. Apply a bead of silicone caulking around the perimeter of the sink where it meets the counter to seal any gaps. Fill the sink with water and leave it overnight to add weight and help it settle in place. Afterward, retighten the sink clips if necessary.

TOPMOUNT INSTALLATION

- Place the sink cut-out template on the countertop, where the sink is to be installed. Trace around the outside perimeter with a pencil (Figure 1). **Note: Make sure you are using the top-mount template, and not the undermount.**
- After tracing, remove the template. Use a straight edge if necessary to straighten out the traced outline. Use a drill with a 7/8" spade bit to drill four pilot holes, one in each corner inside the outline. These holes will be your starting points for sawing the hole, so they must be large enough to fit the blade of a jig saw or keyhole saw.
- Cut the hole for the sink, using a jig saw to cut along the outline between each hole (Figure 2).
- Attach mounting clips to the sink body using the 2 short screws provided.

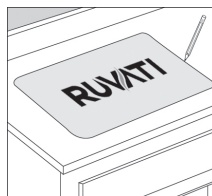


Figure 1

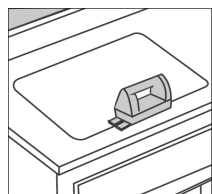


Figure 2