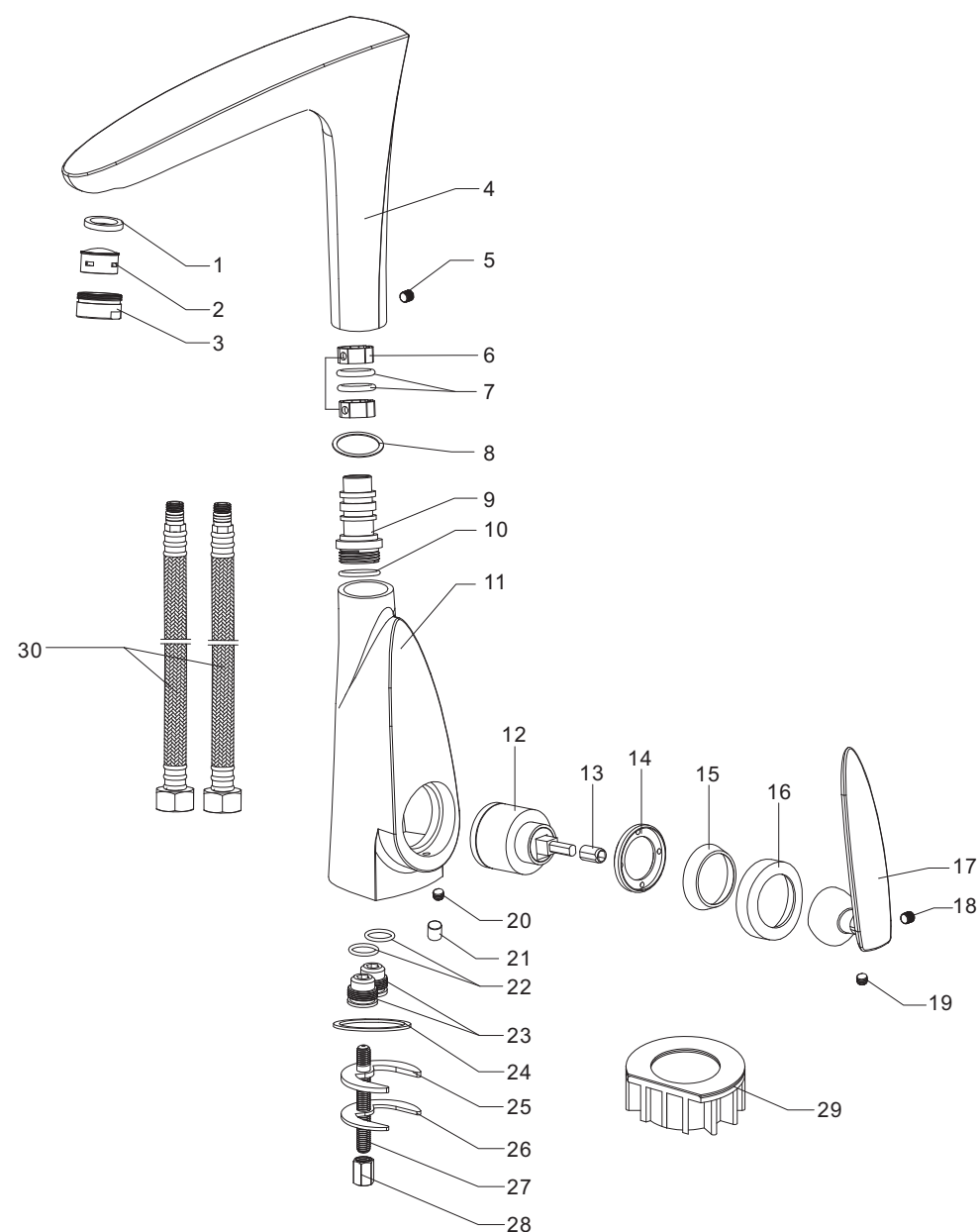
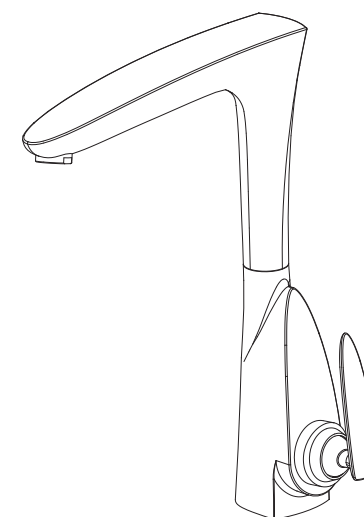


Step 4 Parts list



NO.	PART NAME
1	Aerator washer
2	Aerator core
3	Aerator collar
4	Spout
5	Screw
6	Ring
7	O-ring
8	Wearing ring
9	Connector
10	O-ring
11	Body
12	Cartridge
13	Cartridge adapter
14	Cartridge lock nut
15	Trim cap
16	Cover
17	Handle
18	Screw
19	Screw
20	Screw
21	Index
22	O-ring
23	Connector
24	Wearing ring
25	Rubber washer
26	Clamp
27	Screw
28	Lock nut
29	Plastic base
30	Flexible hose

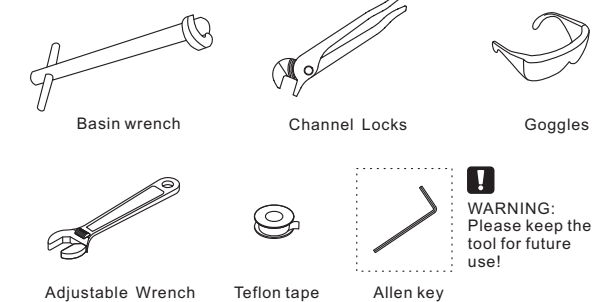


SINGLE HANDLE KITCHEN FAUCET



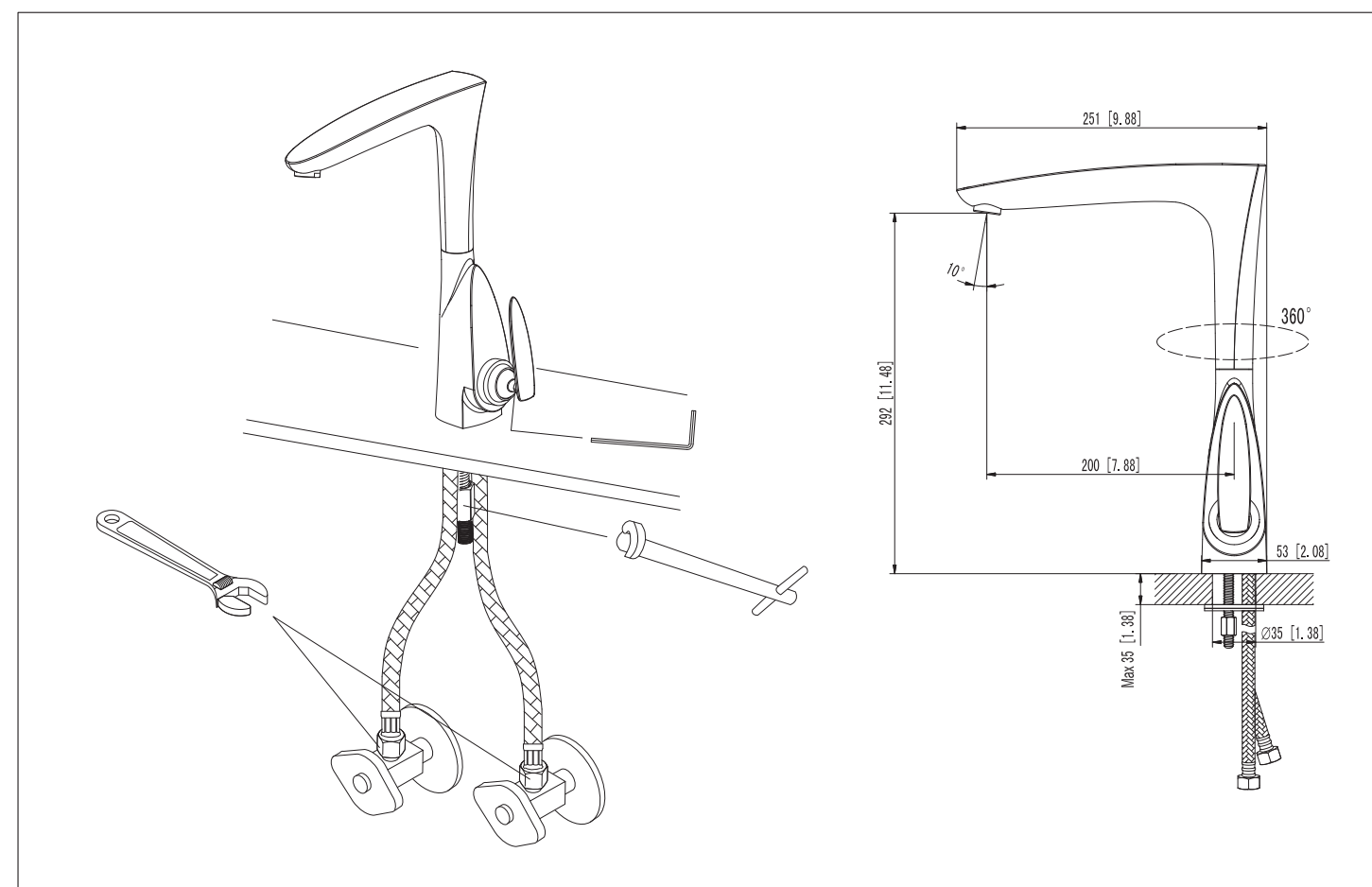
ASME A112.18.1/CSA B125.1

RECOMMENDED TOOLS

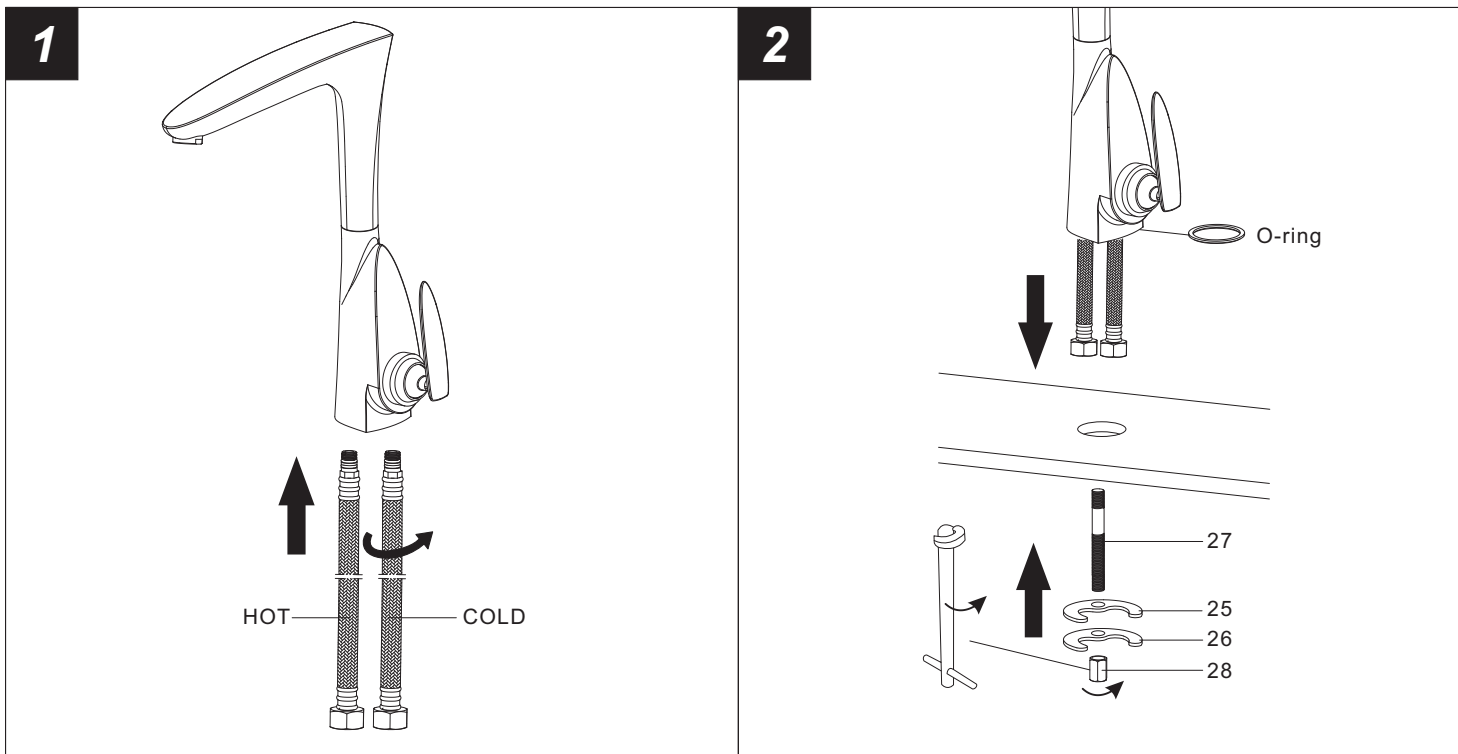


**Attention:**  
for easy installation, you will need:  
1. To read all the installation instruction completely before beginning.  
2. To read all the warning, attention and maintenance information.  
3. To purchase the proper supply lines.

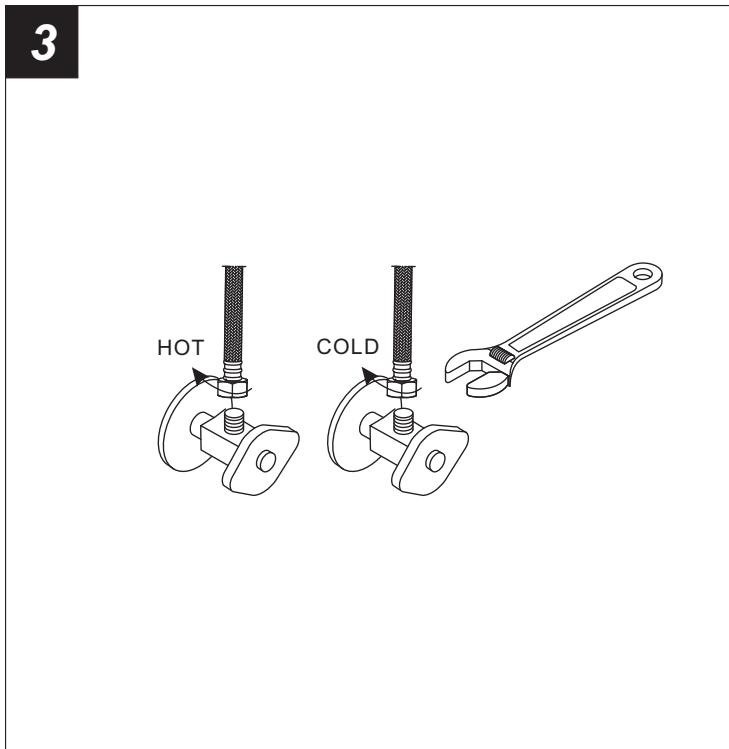
The tools might be applied to the following places:



## Step 1 Faucet installation



1. Assemble the 2 flexible hose to the faucet by hand.
2. Put the faucet into the installation hole of the basin. Make sure o-ring be on the base of faucet. Assemble screw #27 to the base of faucet, and assemble rubber washer #25 and clamp #26 to screw #27. Then assemble lock nut #28 by basin wrench to screw #27 to fix the faucet.



3. Connect the flexible hose to water supply valve (not included), and tighten it with adjustable wrench.

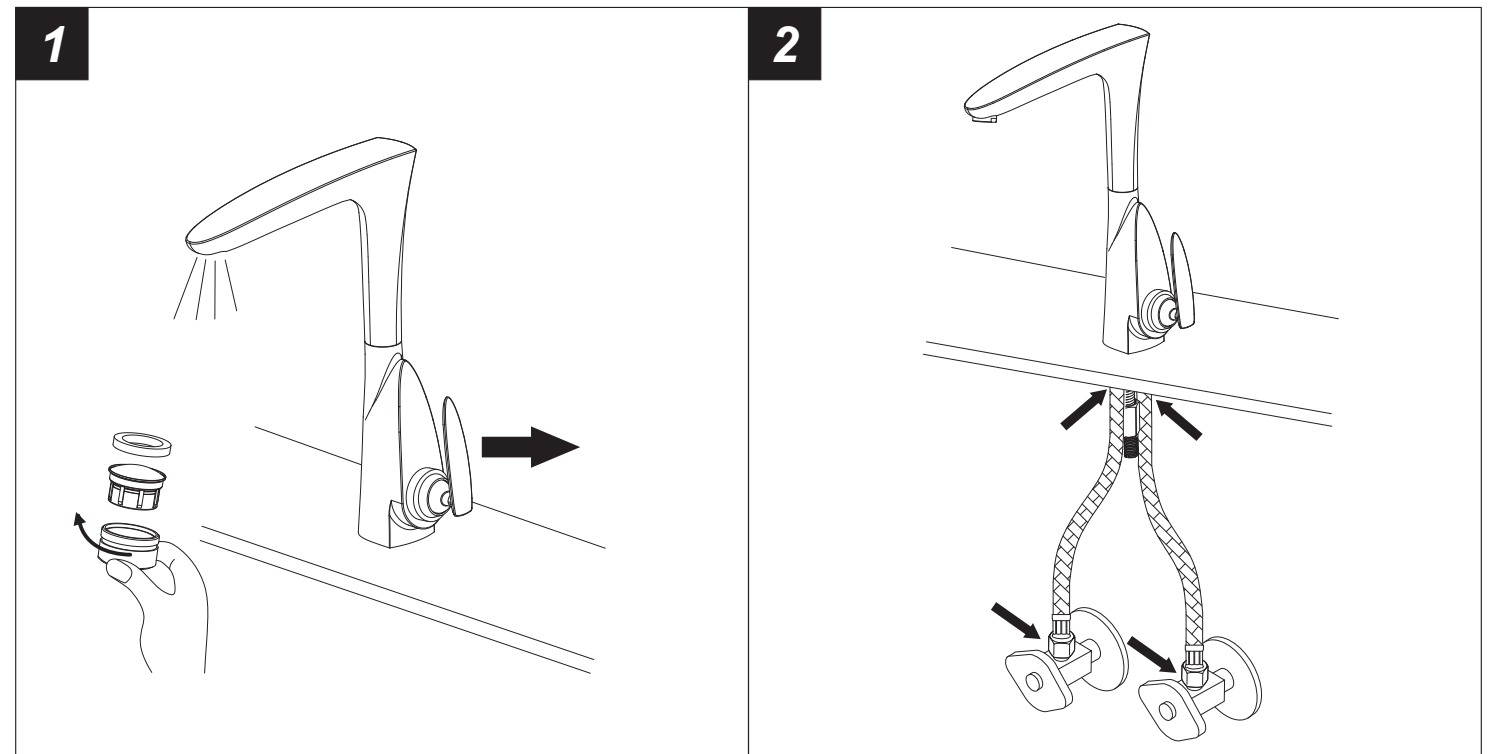
### **DON'T OVER TIGHTEN!**

Caution: make sure connect the hot and cold flexible hoses to supply valves correctly.

### **Warning:**

**The supply valves are not included, please purchase them in plumb shop.**

## Step 2 Checking and testing



1. Remove the aerator by hand. Turn the faucet handle all the way on, turn on hot and cold water supply and flush water lines for one minute. Reinstall aerator by hand.
2. Check all connections at arrows for leaks, re-tighten it if necessary.



**BUT DON'T OVERTIGHTEN**

## Step 3 Cleaning and care

Daily cleaning and care are required in order to keep the product shining and properly working.

- 1 Clean it with water and dry it with soft cloth.
- 2 Clean the product with gentle liquid or glass cleaner.
- 3 Don't use acid cleaner.
- 4 Don't clean with abrasive material, abrasive paper or knife.