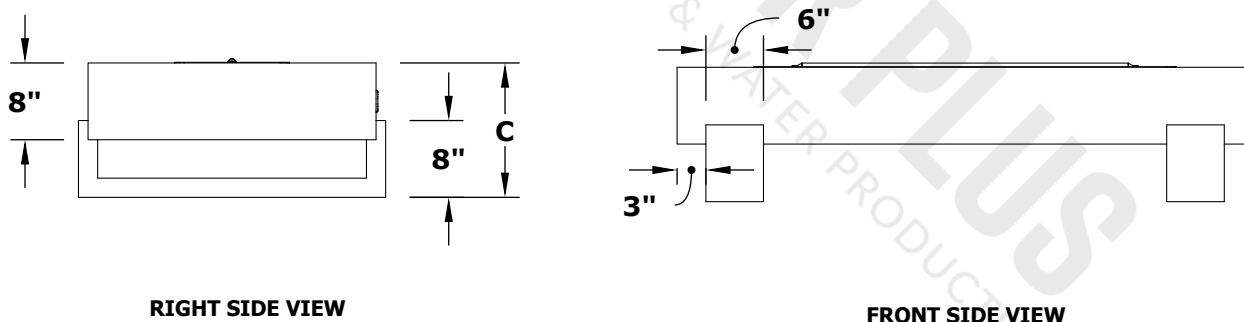
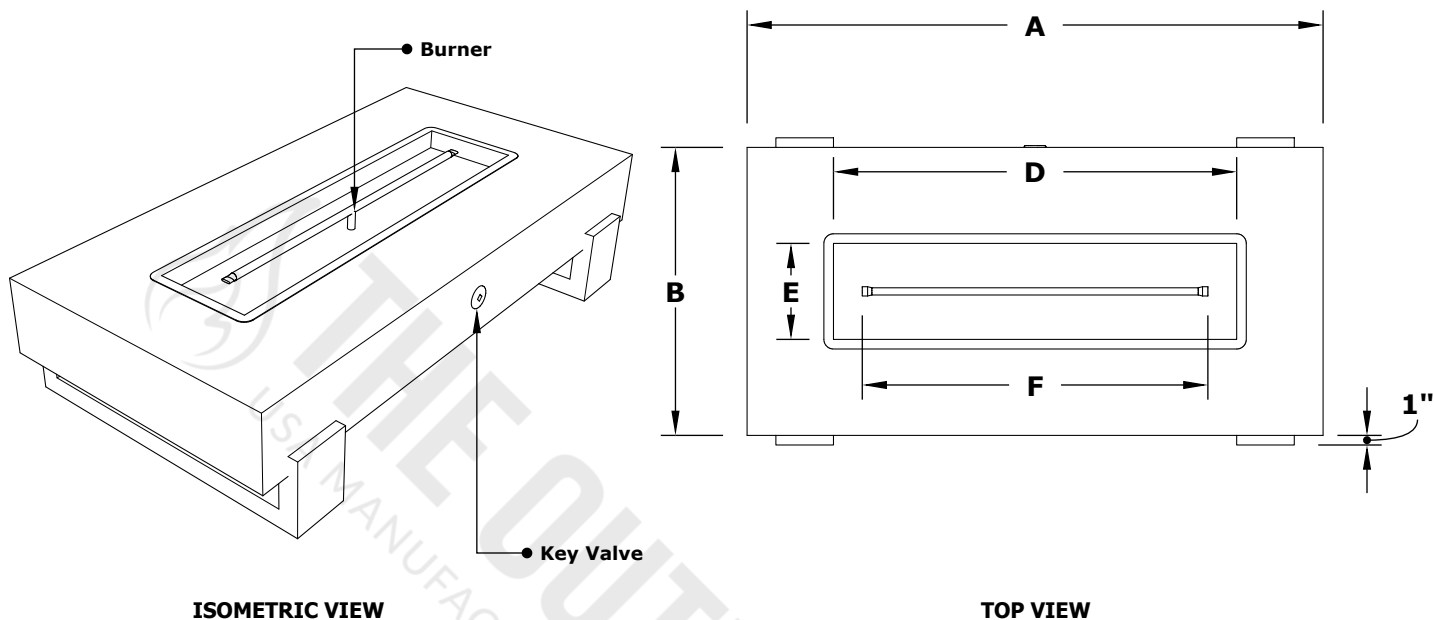


# BAJA FIRE PIT - BLACK & WHITE

POWDER COAT



PART NUMBER	A	B	C	D	E	F	BTU
OPT-BAJ42-BWC	42"	30"	14"	30"	10"	24"	40,000
OPT-BAJ60-BWC	60"	30"	14"	42"	10"	36"	60,000
OPT-BAJ72-BWC	72"	30"	14"	54"	10"	48"	80,000
OPT-BAJ84-BWC	84"	30"	14"	66"	10"	60"	100,000

Fire Pit Material: Galvanized Steel  
 Pan Material: 304 Stainless Steel  
 Burner Material: 304 Stainless Steel  
 Standard 2" Depth on all pans  
**110V ELECTRONIC IGNITION**  
 ANSI Z21.97-(2017) / CSA 2.41-(2017)



Match Lit Unit Includes: Pan, Burner, Gas Orifice, Gas Hoses, Key Valve, Key,  
 110v Ignition Unit Includes: Pan, Burner, Gas Orifice, Gas Hoses, Key Valve, Key, Plug & Play Electronic Valve, Pilot Igniter.

<b>Drawn By</b>	Murguia M.
<b>Date Created</b>	December 22, 2021

**Proprietary & Confidential:** The information contained in this drawing is the sole property of **The Outdoor Plus**. Any reproduction or as a whole without written permission of **The Outdoor Plus** is prohibited.