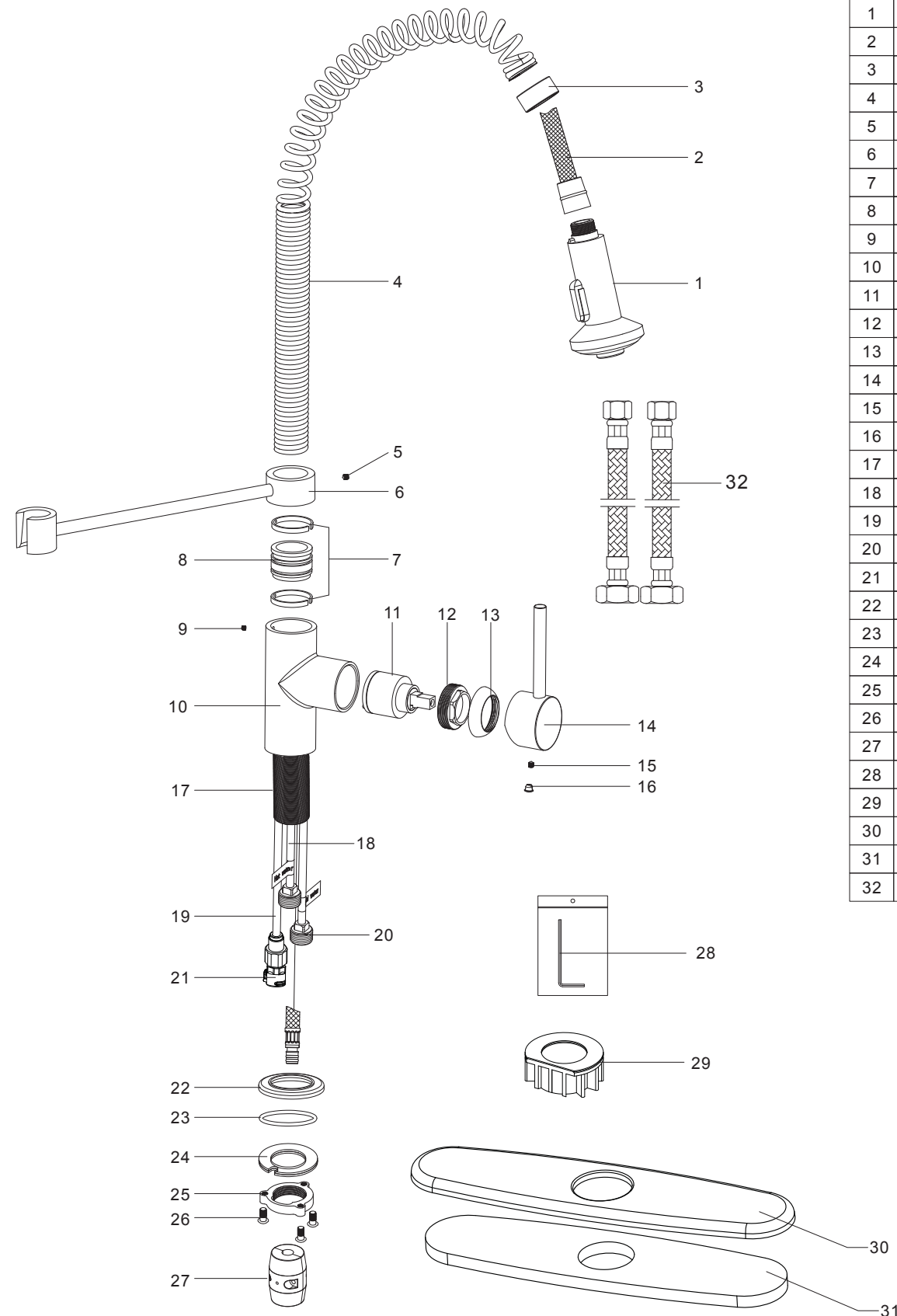
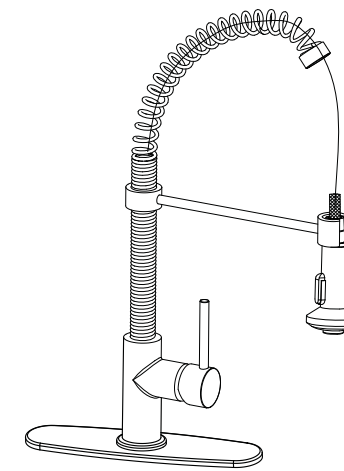


Step 4 Parts list



NO.	PARTNAME
1	Shower
2	Shower hose
3	Ring
4	Spring tube
5	Screw
6	Shower holder
7	Ring
8	Connector
9	Screw
10	Body
11	Cartridge
12	Cartridge lock nut
13	Trim cap
14	Handle
15	Screw
16	Index
17	Threaded shank
18	Copper tube(hot water)
19	Copper tube
20	Copper tube(cold water)
21	Quick connect
22	Base
23	O-ring
24	Gasket assembly
25	Lock nut
26	Screw
27	Weight
28	Allen key
29	Plastic base
30	Deck plate
31	Gasket
32	Flexible hose

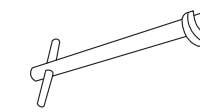


SINGLE HANDLE KITCHEN FAUCET

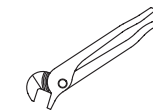


ASME A112.18.1/CSA B125.1

RECOMMENDED TOOLS



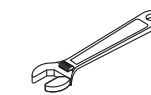
Basin wrench



Channel Locks



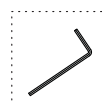
Goggles



Adjustable Wrench



Teflon tape



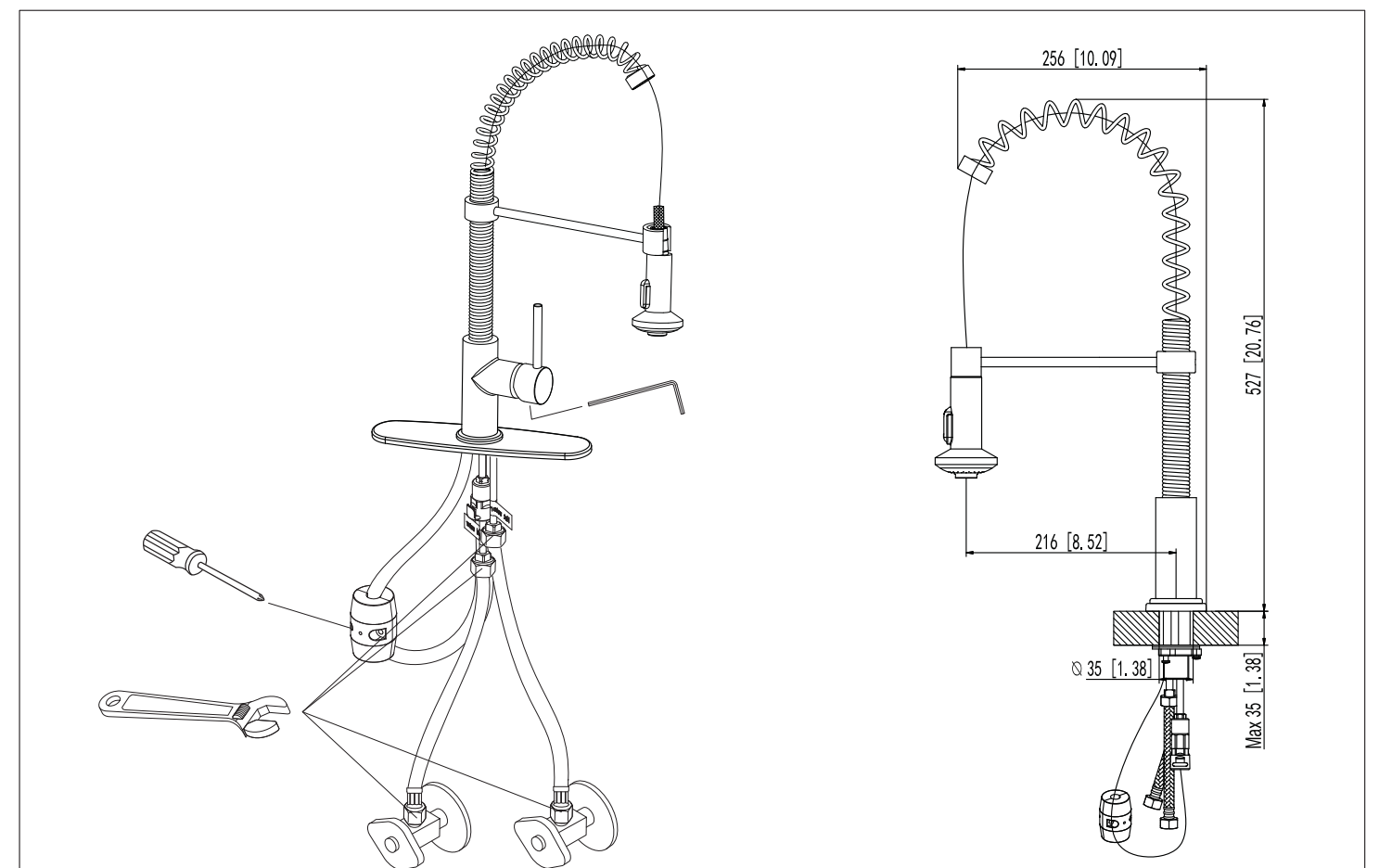
Allen key

**WARNING:**  
Please keep the tool for future use!

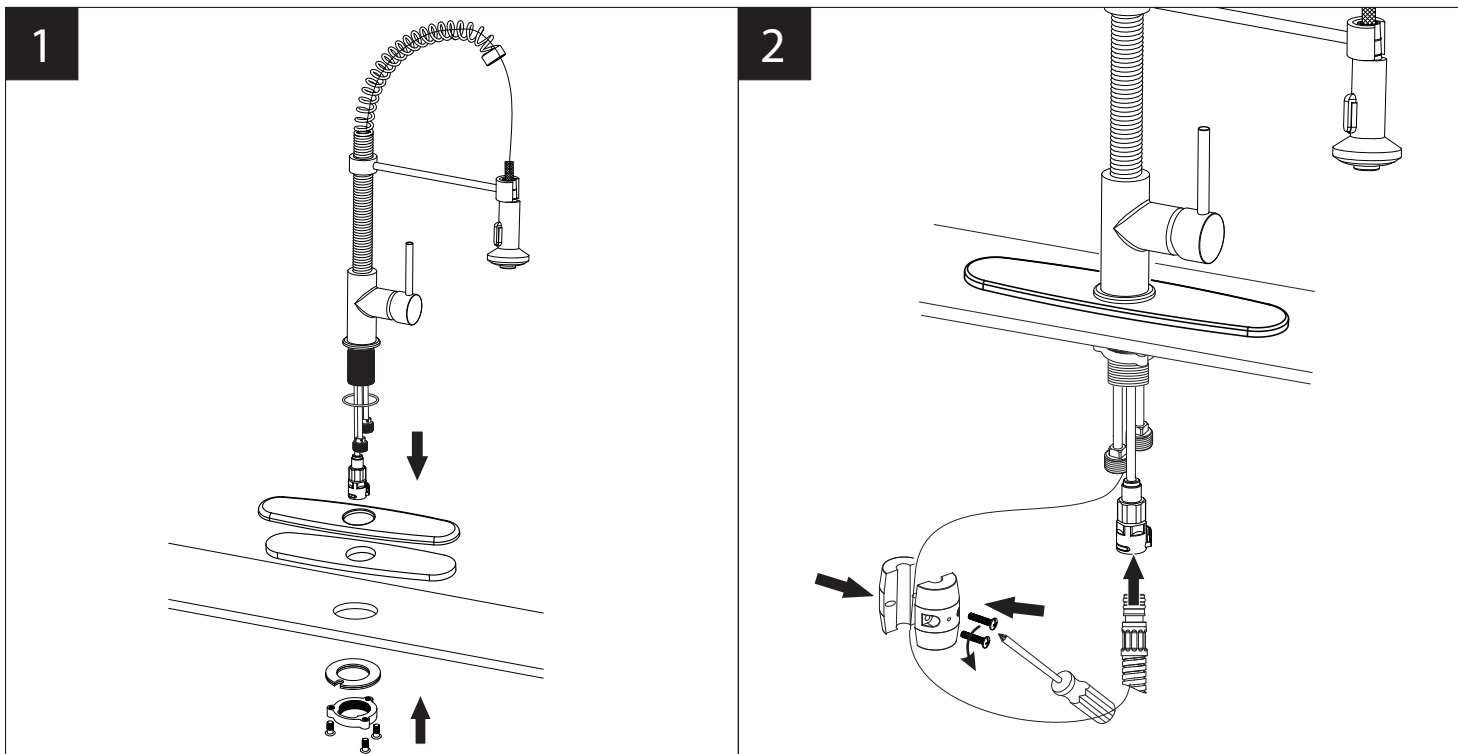


Attention:  
for easy installation, you will need:  
1. To read all the installation instruction completely before beginning.  
2. To read all the warning, attention and maintenance information.  
3. To purchase the proper supply lines.

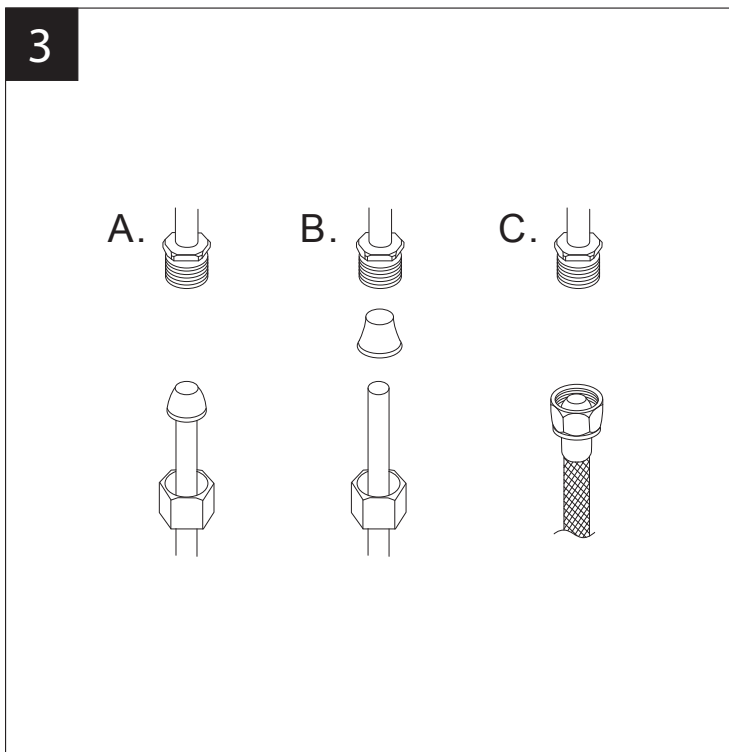
The tools might be applied to the following places:



## Step 1 Faucet installation

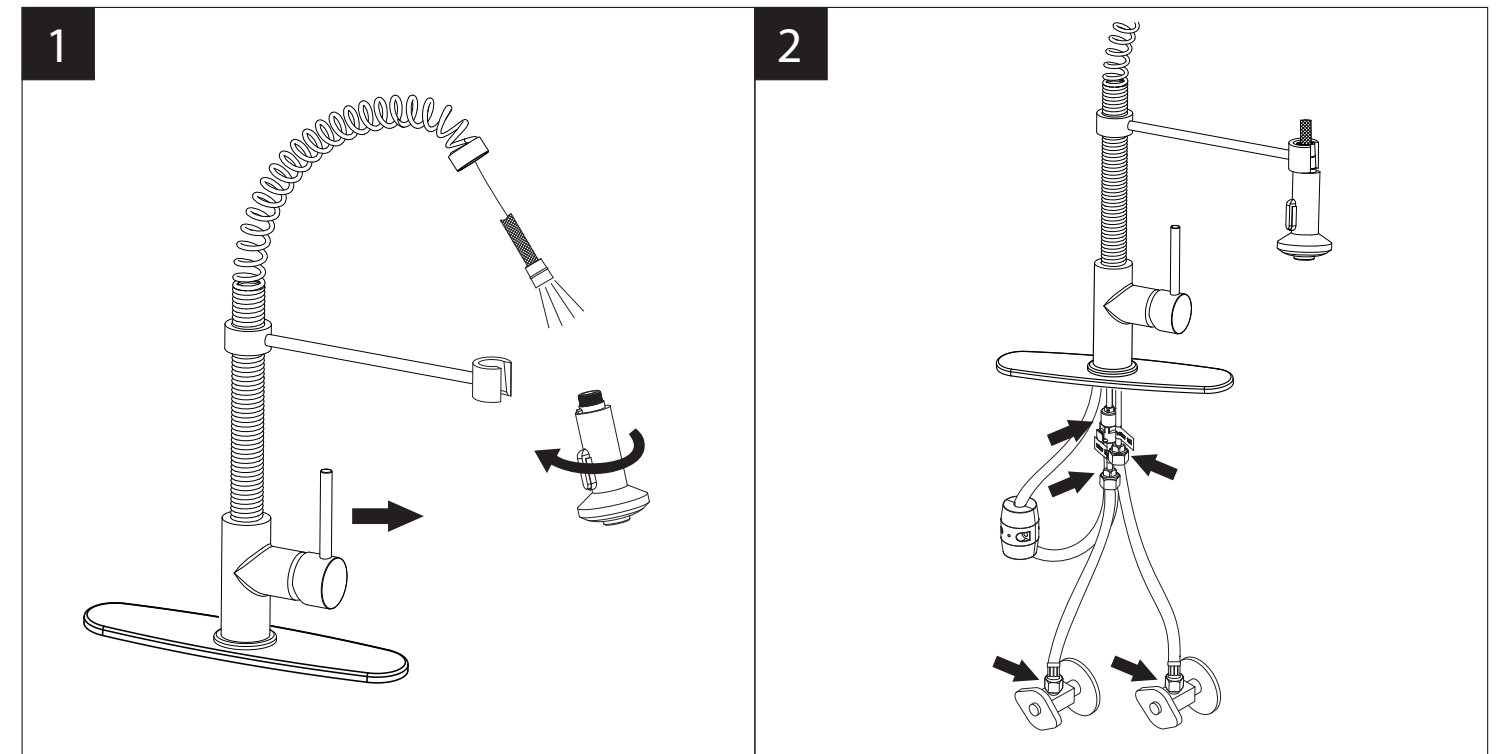


1. Position the faucet, deck plate and gasket in order on the counter top as shown. Don't forget the O-ring. Assemble gasket assembly and lock nut to faucet threaded sleeve by hand and tighten the screws with screwdriver.
2. Connect the shower hose to quick connect. CAUTION: MAKE SURE THE HOSE IS PROPERLY ENGAGED AND SECURED IN THE QUICK CONNECT. Dis-assemble the weight and put it on the shower hose. Then fix screws by screw driver.



3. Connect to water supply lines with either:
  - (A) 3/8" O.D. Copper tubing (ball nose risers with the coupling nuts) or;
  - (B) 3/8" Copper tubing (no ball) with supplied tube head interior connector or;
  - (C) IPS faucet connectors (1/2").

## Step 2 Checking and testing



1. Remove the shower by hand. Turn the faucet handle all the way on, turn on hot and cold water supply and flush water lines for one minute. Reinstall shower by hand.
2. Check all connections at arrows for leaks, re-tighten it if necessary.



BUT DON'T OVERTIGHTEN

## Step 3 Cleaning and care

Daily cleaning and care are required in order to keep the product shining and properly working.

- 1 Clean it with water and dry it with soft cloth.
- 2 Clean the product with gentle liquid or glass cleaner.
- 3 Don't use acid cleaner.
- 4 Don't clean with abrasive material, abrasive paper or knife.